

COVERSHEET

Planned document changes:

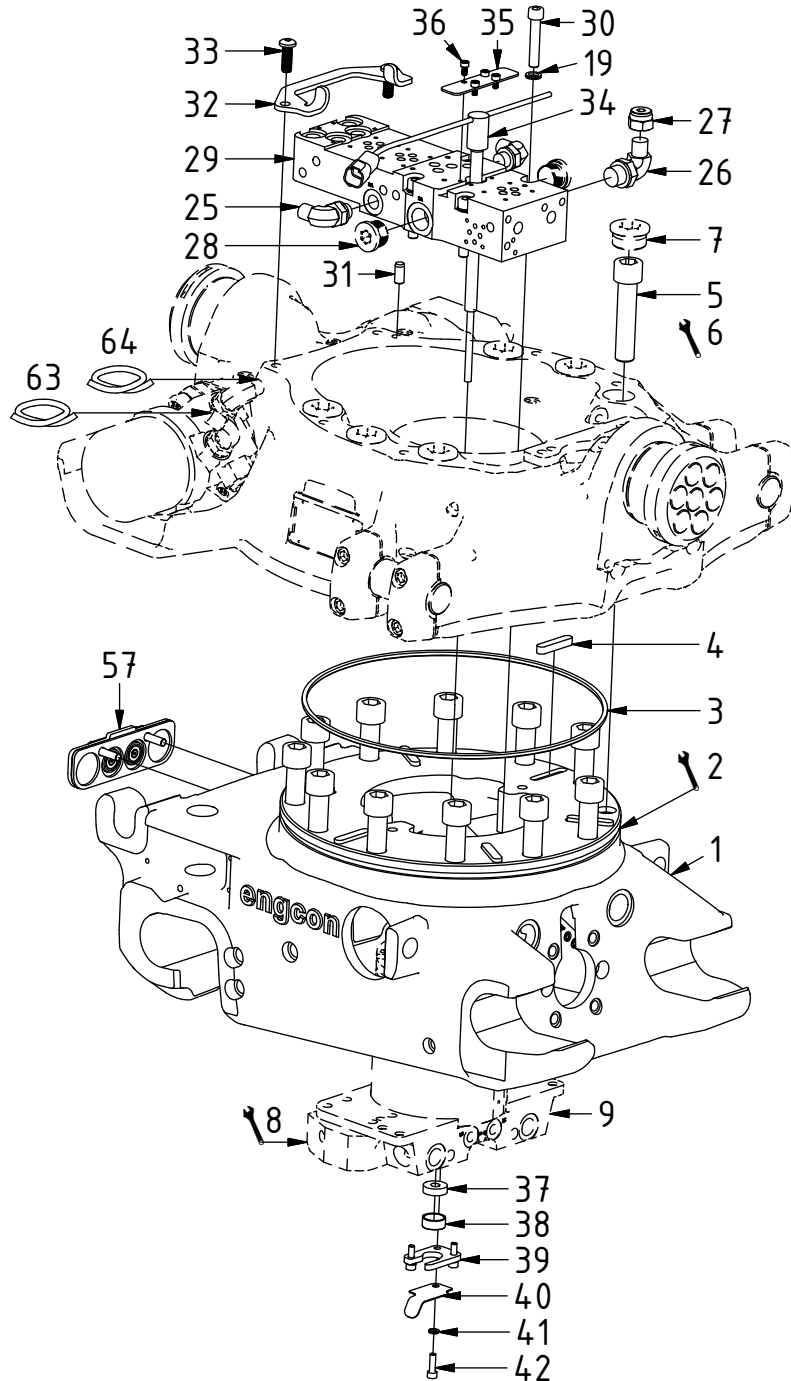
Briefly:

No planned changes.

Document changes:

Date:	Change:	Rev. after change:
2019-01-08	Layout/irrelevant.	D
2018-12-19	Item no for slip ring cover plate updated.	C
2018-11-21	Separate pages for QSM-Q and QSM. Photos added.	B
2018-08-16	New instruction.	A
2018-07-31	First draft.	-

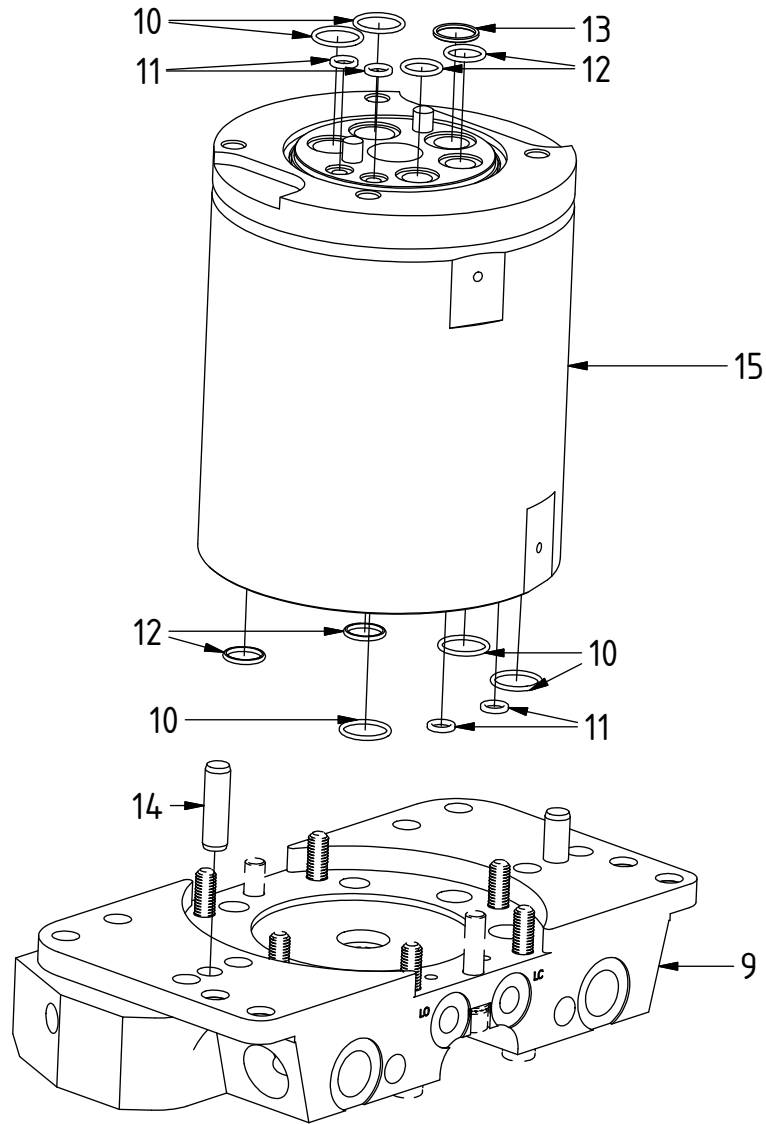
EC219 - QSM60



POS	DESCRIPTION	PART	QTY	COMMENTS
1	Quick hitch QSM60 EC219	1045361	1	
2	Grease the ring			
3	O-ring 319,3x5,7	710908	1	
4	Feather Key	650102	6	
5	MC6S 20x90 12.9	610556	12	
6	Torque tighten quick hitch to rotator frame, six holes. Rotate to access the remaining holes			
7	Pipe plug M36	650408	6	Part of rotator frame assembly
8	See p.4 connection block config.			
9	Connection block QSM60	1046506	1	
19	Washer NL10	611041	20	
25	Adapter 90° 3/8"	710152	2	Assemble before connecting valve block to swivel
26	Adapter 401-06-08 90° 1/2"	710157	1	Assemble before connecting valve block to swivel
27	Protection cap 3/8"	711626	1	
28	Plug 3/4"	711532	2	Part of control system assembly
29	Valve block QSM	1046695	1	
30	MC6S 10x55 12.9	610579	4	
31	Cylindrical pin CPK 10x24 m6	1020539	1	Loctite 6300
32	Swivel stop QSM EC219/EC226	1045935	1	
33	K6S 10x30 10.9	6000193	2	Loctite 2700
34	Slip ring QSM60 M12	1046763	1	
35	Cover plate	1050384	1	
36	MC6S 5x10 12.9	610594	4	
37	Rubber bushing	1046691	1	Only use the outer/largest part
38	Ring slip ring QSM	1046692	1	
39	Plate slip ring QSM	1046689	1	
40	Plate cable steering QSM	1046694	1	
41	Washer NL6	611039	5	
42	MC6S 6x20 12.9	610310	3	
57	Cover plate	1049327	1	Only for QSM-Q
63	Hose hydraulic motor Short	7000724	1	
64	Hose hydraulic motor Long	7000725	1	

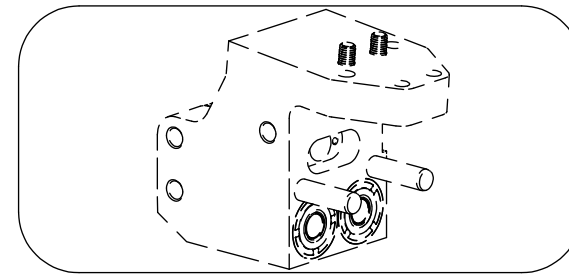
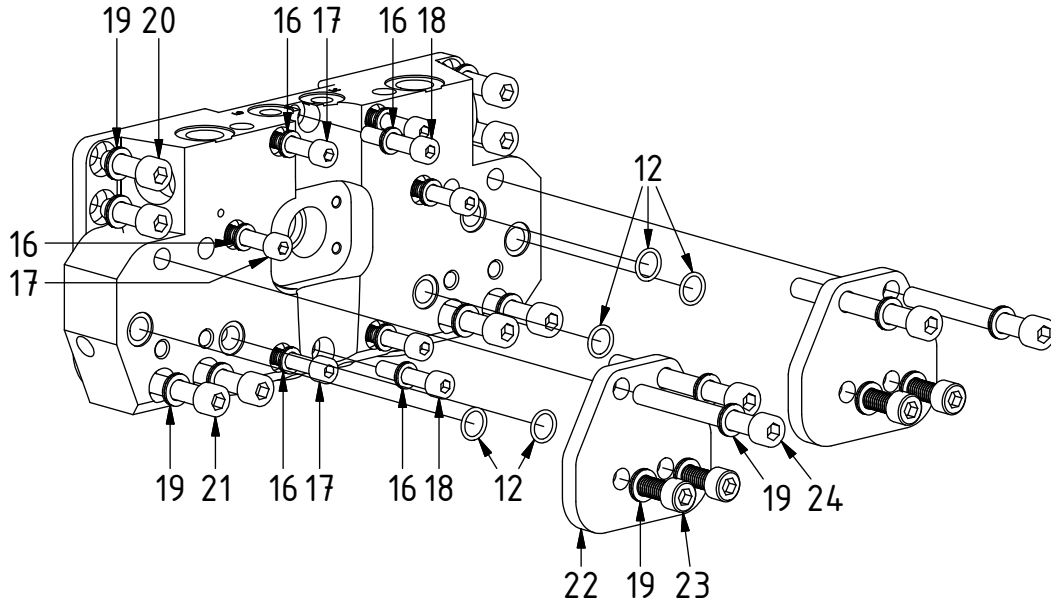
EC219 - QSM60

POS	DESCRIPTION	PART	QTY	COMMENTS
9	Connection block QSM60	1046506	1	
10	O-ring 17.17x1.78	710977	5	
11	O-ring 7,66x1,68 square	7000579	4	
12	O-ring 14x1,78	710975	9	
13	O-ring 15,6x1,78	710912	1	
14	Cylindrical pin CPK 10x35 m6	1015672	2	
15	Swivel QSM 7-ch complete	1047776	1	See "Valve blocks & Swivels"



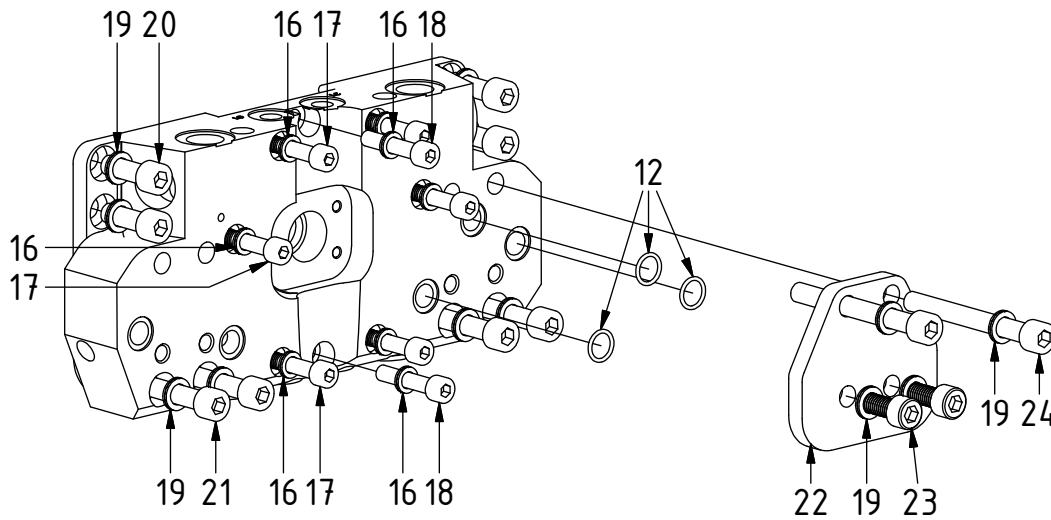
POS	DESCRIPTION	PART	QTY	COMMENTS
12	O-ring 14x1,78	710975	9	
16	Washer NL8	611040	8	
17	MC6S 8x55 12.9	610588	6	
18	MC6S 8x40 12.9	610437	2	
19	Washer NL10	611041	20	
20	MC6S 10x30 12.9	610452	4	
21	MC6S 10x60 12.9	610460	4	
22	Cover plate	1044083	2	
23	MC6S 10x25 12.9	610569	4	
24	MC6S 10x90 12.9	610465	4	

Standard:

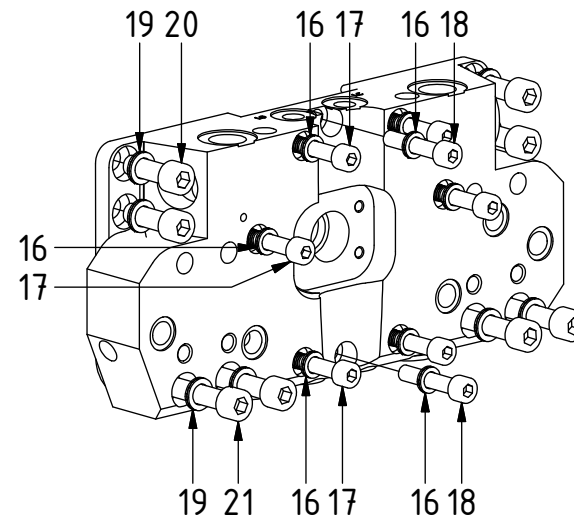


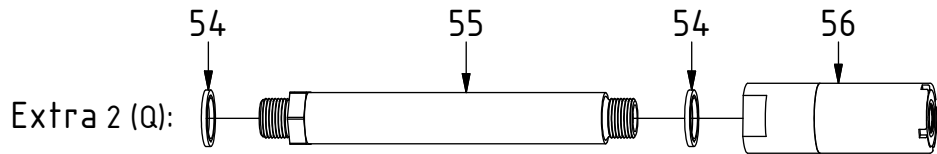
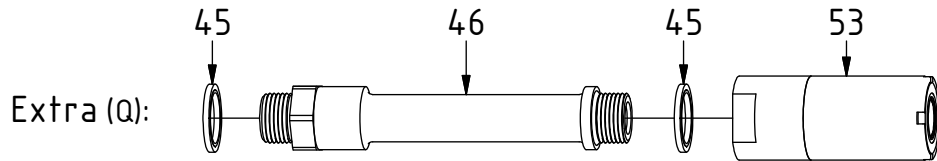
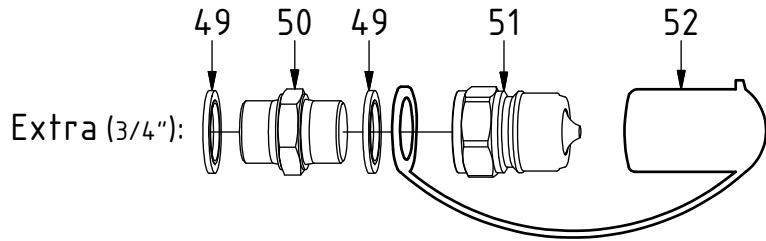
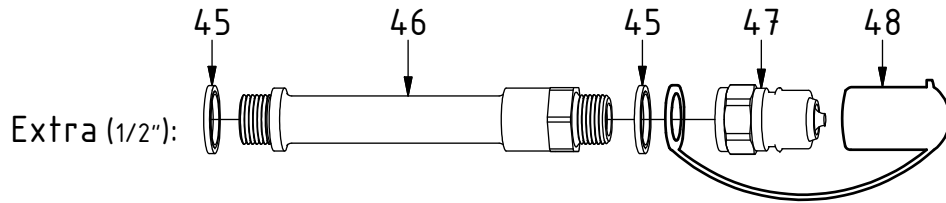
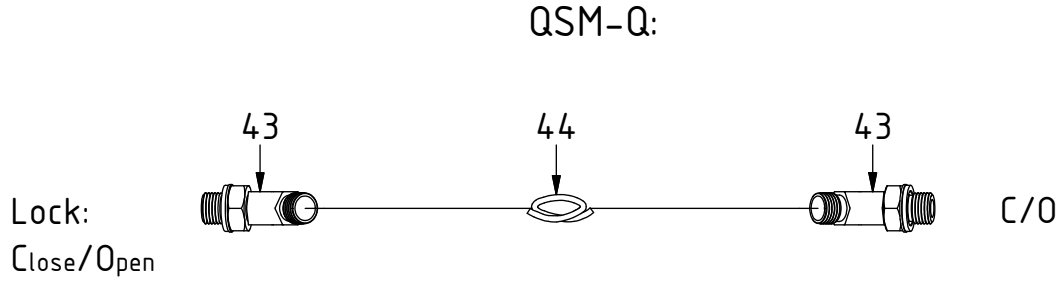
See instruction,
EC-Oil components

EC-Oil 1bl.

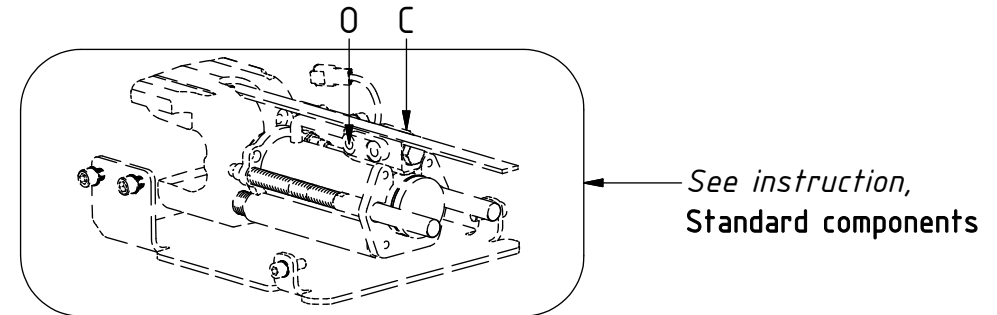
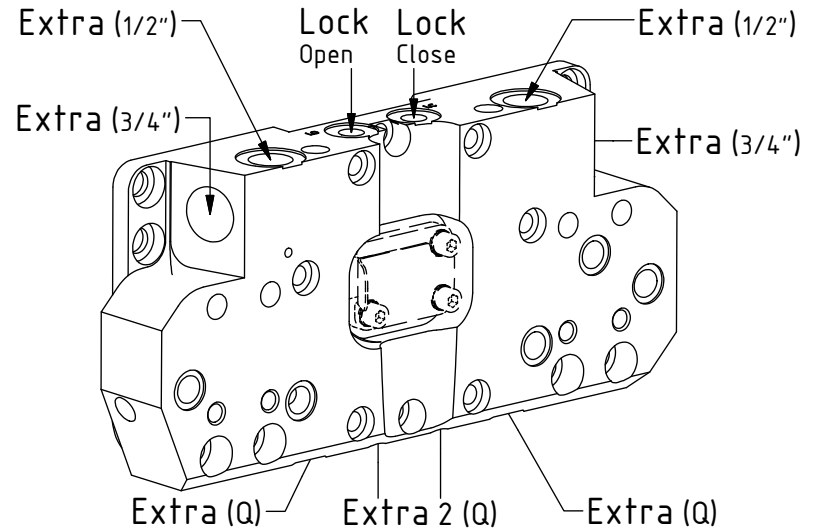


EC-Oil 2bl.

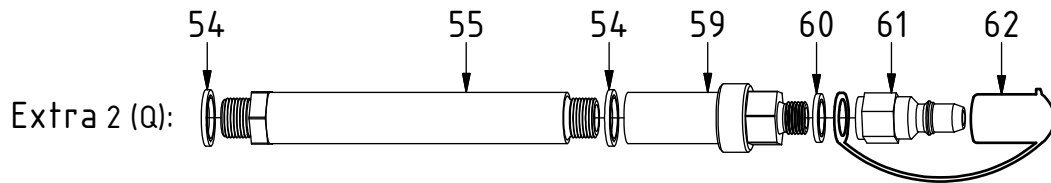
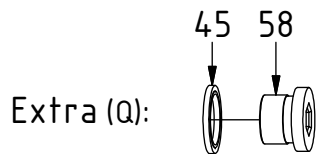
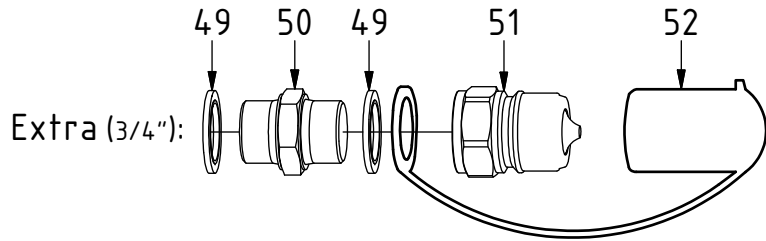
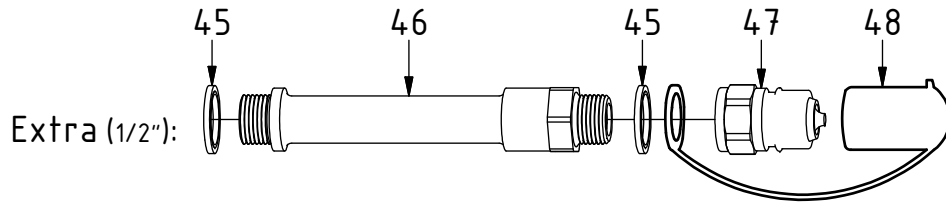
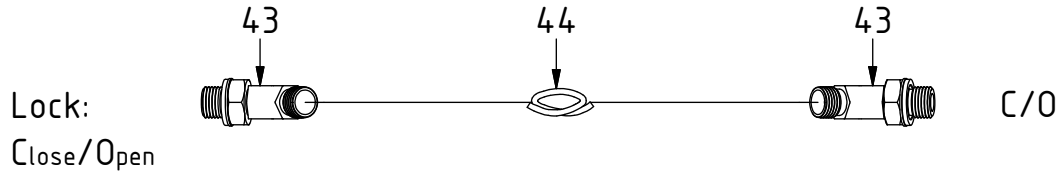




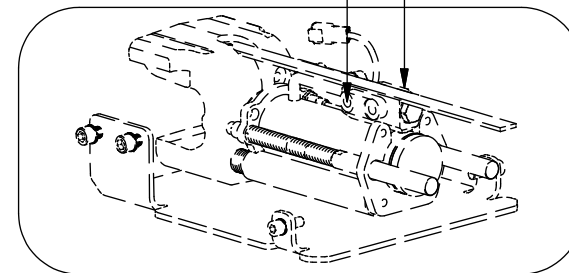
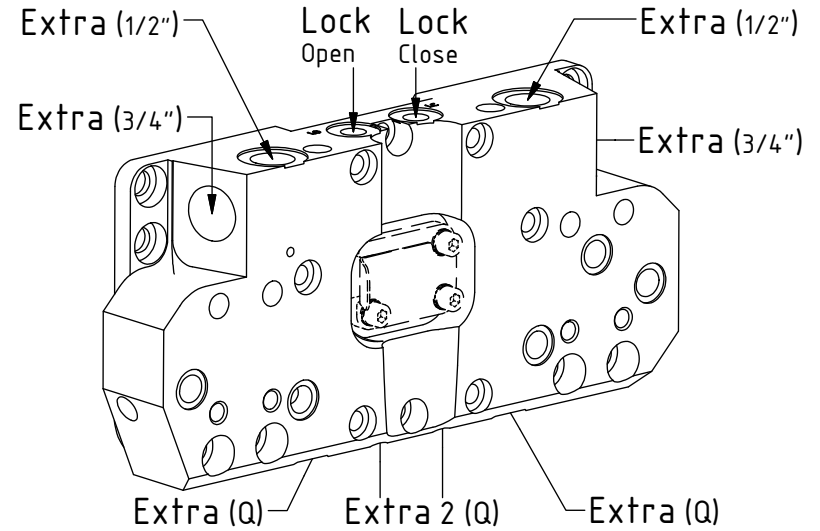
POS	DESCRIPTION	PART	QTY	COMMENTS
43	Adapter 402-04-04 45°	7000104	4	
44	Hose Lock	7000743	2	
45	Sealing washer 1/2"	710704	6	QTY: 8 for QSM-Q
46	Adapter extension 1/2" Alu	1048493	2	QTY: 4 for QSM-Q
47	Quick coupling 1/2"	790115	2	
48	Dust Protection 1/2"	790121	2	
49	Sealing washer 3/4"	710706	4	
50	Adapter 136-12-12	710126	2	
51	Quick coupling 3/4"	790193	2	
52	Dust Protection 3/4"	790120	2	
53	Coupling ECO QSM 1/2" female	1034211	2	Loctite 2700
54	Sealing washer 3/8"	710703	4	
55	Adapter extension 3/8" Alu	1048492	2	
56	Coupling ECO QSM 3/8" female	1047446	2	Loctite 2700



QSM:



POS	DESCRIPTION	PART	QTY	COMMENTS
43	Adapter 402-04-04 45°	7000104	4	
44	Hose Lock	7000743	2	
45	Sealing washer 1/2"	710704	6	QTY: 8 for QSM-Q
46	Adapter extension 1/2" Alu	1048493	2	QTY: 4 for QSM-Q
47	Quick coupling 1/2"	790115	2	
48	Dust Protection 1/2"	790121	2	
49	Sealing washer 3/4"	710706	4	
50	Adapter 136-12-12	710126	2	
51	Quick coupling 3/4"	790193	2	
52	Dust Protection 3/4"	790120	2	
54	Sealing washer 3/8"	710703	4	
55	Adapter extension 3/8" Alu	1048492	2	
58	Plug Din 908 1/2"	7000800	2	
59	QSM60 pipe GRD bolted	1050313	2	Loctite 2700 against POS.55
60	Washer GBR04 1/4	710702	2	
61	Quick Coupler 1/4" Male 2520	790111	2	
62	Dust Protection 1/4"	790119	2	



See instruction, Standard components

EC219 - QSM60

POS	DESCRIPTION	PART	QTY	COMMENTS
44	Hose Lock	7000743	2	
63	Hose hydraulic motor Short	7000724	1	
64	Hose hydraulic motor Long	7000725	1	

