

EC233 - S2

COVERSHEET

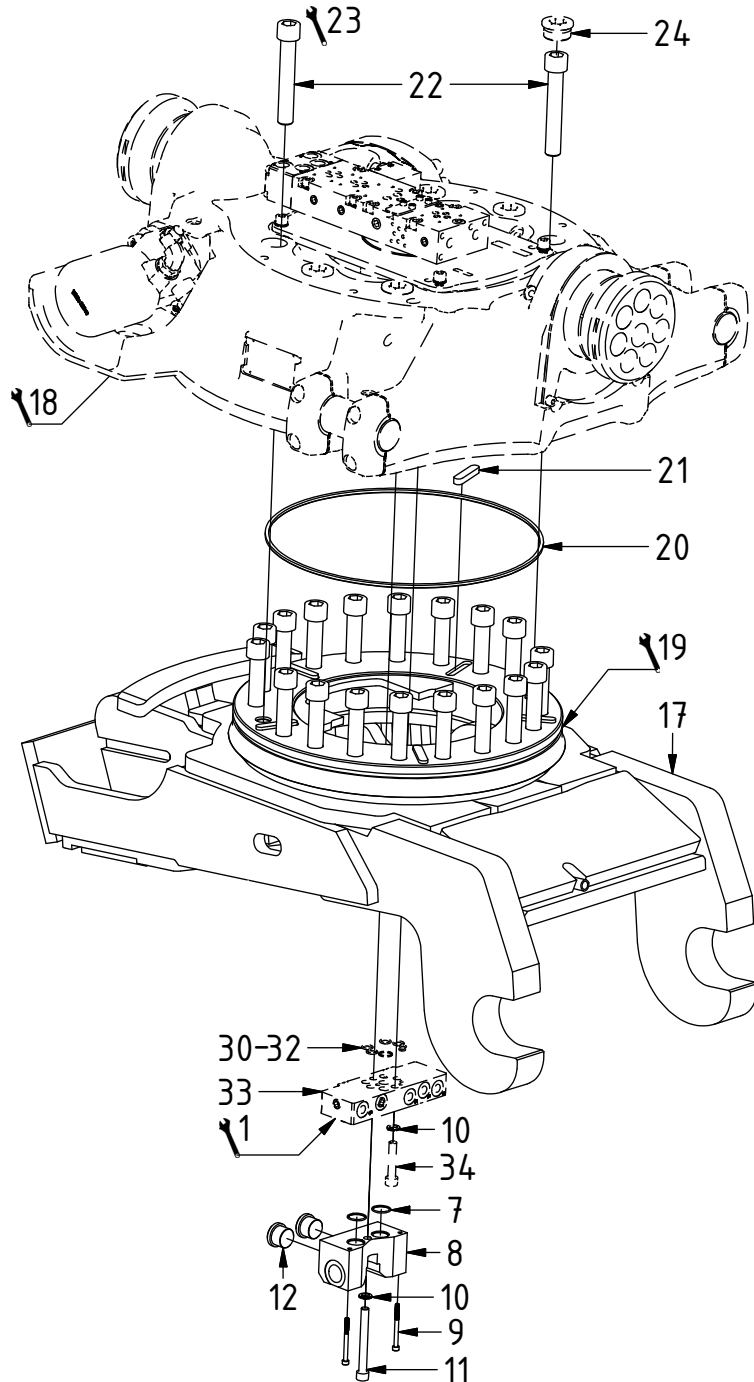
Planned document changes:

Briefly:

No planned changes.

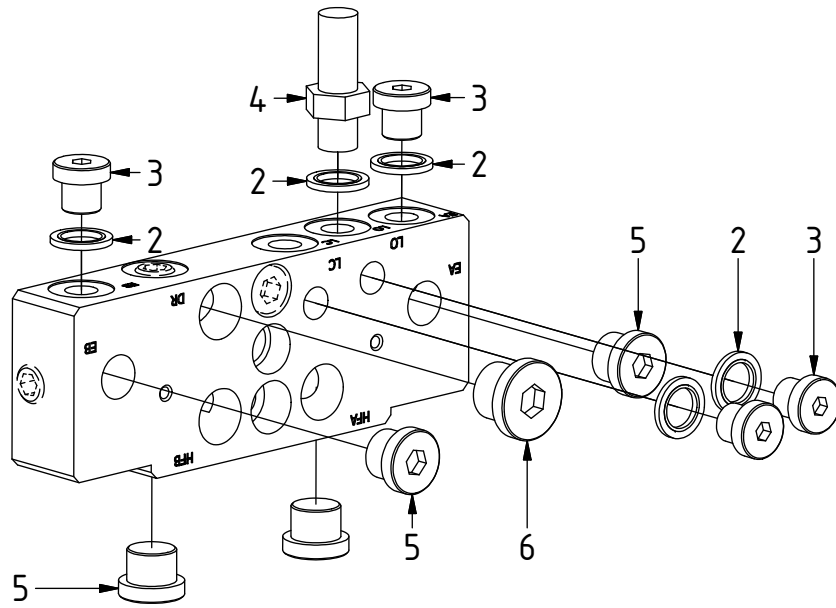
Document changes:

Date:	Change:	Rev. after change:
2018-06-11	New instruction.	-

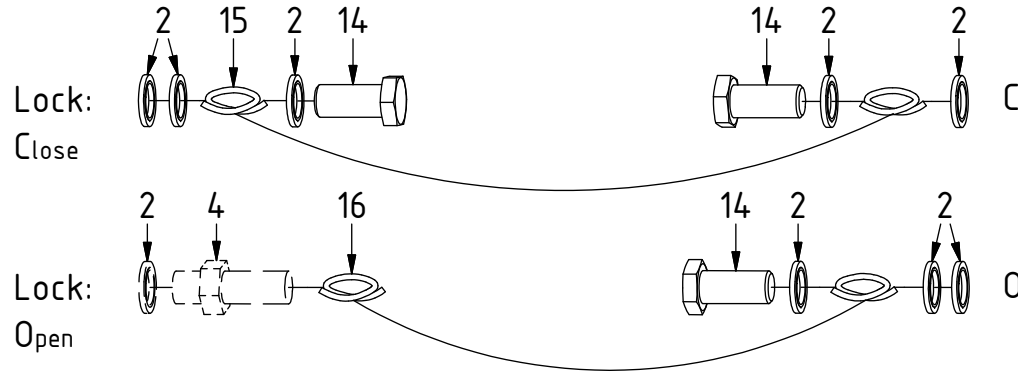


POS	DESCRIPTION	PART	QTY	COMMENTS
1	See p.3 connection block config.			
7	O-ring 20,35x1,78	710974	2	
8	Extra block 3/4" ECHF	1031934	1	
9	Screw MC6S 5x60	610409	2	
10	Washer NL10	611041	3	
11	Screw MC6S 10x90	610465	1	
12	Plug 3/4"	711532	2	
17	Hitch S2 EC233	1040606	1	
18	Assemble break support			See separate instruction
19	Grease the ring			
20	O-ring 359,3x5,7	710924	1	
21	Feather Key	650103	5	
22	Screw MC6S 20x120	610558	20	Torque: 649Nm
23	Torque tighten quick hitch to rotator frame, six holes. Rotate to access the remaining holes			
24	Pipe plug M36x2	650408	6	Part of rotator frame assembly
30	O-ring 6,07x1,78	712422	2	Part of rotator frame assembly
31	O-ring 12,42x1,78	710973	4	Part of rotator frame assembly
32	O-ring 15,6x1,78	710912	1	Part of rotator frame assembly
33	Connection block ECHF	1028391	1	Part of rotator frame assembly
34	Screw MC6S 10x50	610457	1	Part of rotator frame assembly

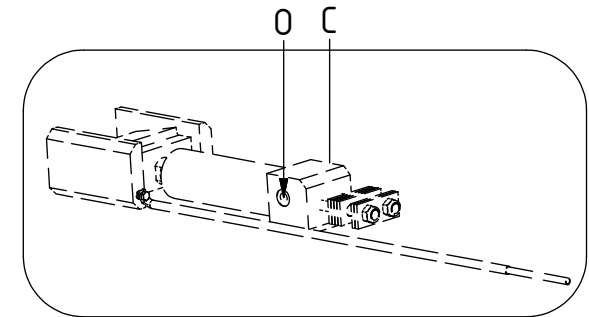
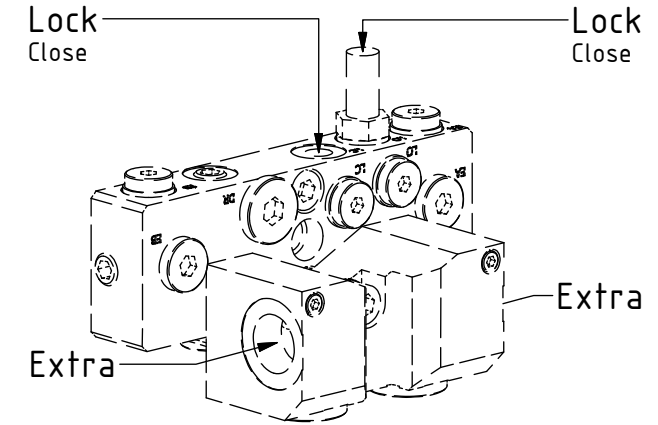
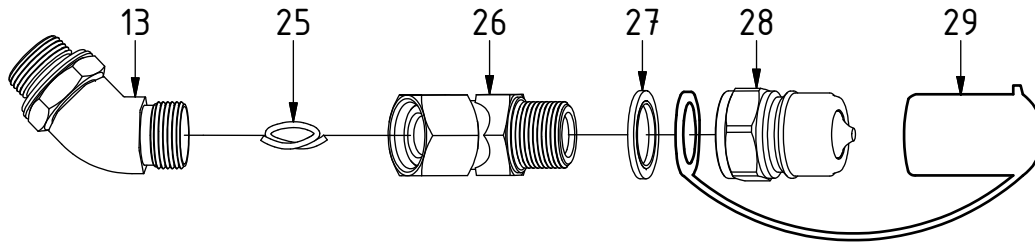
POS	DESCRIPTION	PART	QTY	COMMENTS
2	Sealing washer 1/4"	710702	13	
3	Plug 1/4"	711505	4	
4	Adapter 1260-04-04 (1/4")	710240	1	
5	Plug 3/8"	711504	4	
6	Plug 1/2"	711500	1	



POS	DESCRIPTION	PART	QTY	COMMENTS
2	Sealing washer 1/4"	710702	13	
4	Adapter 1260-04-04 (1/4")	710240	1	
13	Adapter 402-12-12 45° (3/4")	712220	2	
14	Banjobolt 1/4"	710271	3	
15	Hose Lock short	7000056	1	
16	Hose Lock long	7000096	1	
25	Hose Extra	7000067	2	
26	Adapter 45-12-12 45° (3/4")	712217	2	
27	Sealing washer 3/4"	710706	2	
28	Quick coupling 3/4"	790193	2	
29	Dust protection 3/4"	790195	2	



Extra:
Standard



See instruction,
Standard components

POS	DESCRIPTION	PART	QTY	COMMENTS
15	Hose Lock short	7000056	1	
16	Hose Lock long	7000096	1	
25	Hose Extra	7000067	2	

POS in order of assembly

