

COVERSHEET



Planned document changes:

Briefly:

No planned changes.

Document changes:

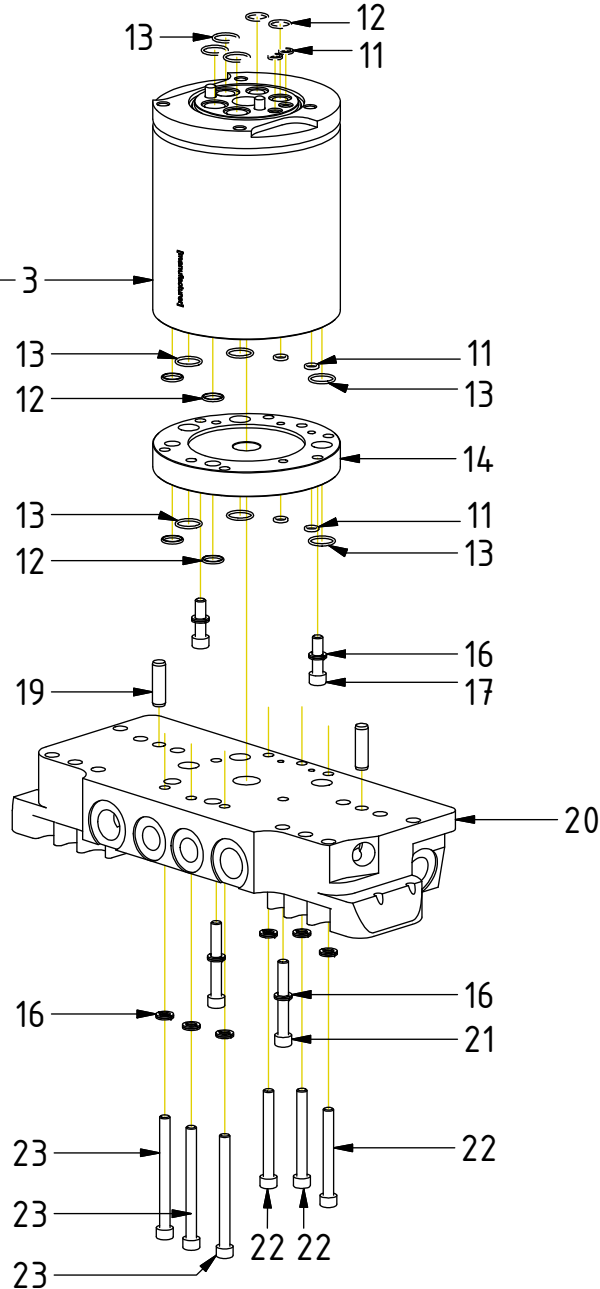
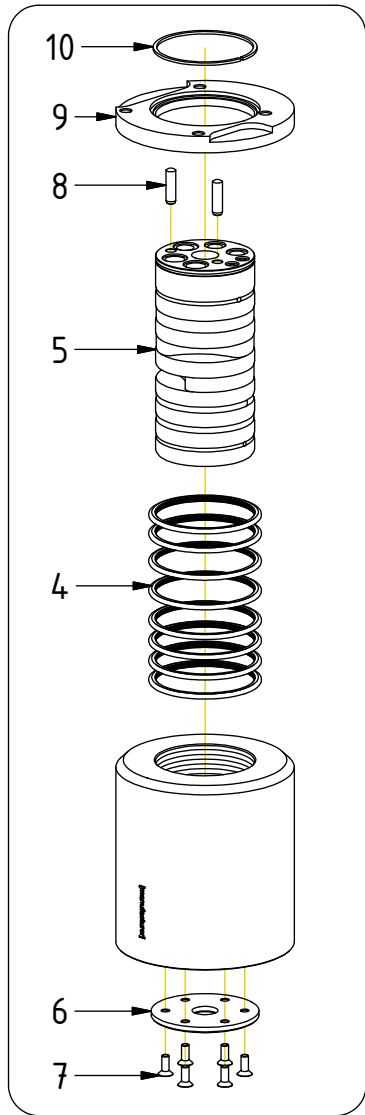
Date:	Change:	Rev. after change:
2023-05-26	Part nos added. Sizes separated to own exploded views.	E
2020-11-03	QSM70 parts for EC226 added.	D
2020-03-03	QSM45 added.	C
2019-10-08	Layout/irrelevant.	B
2019-08-23	Complete with block added.	A
2018-05-31	New document.	-

Readers note: Indicates instruction. Represents Hose.

Dashed lines for overview, mounts
on other pages/assemblies.

Connection block & Swivel QSM70

EC226

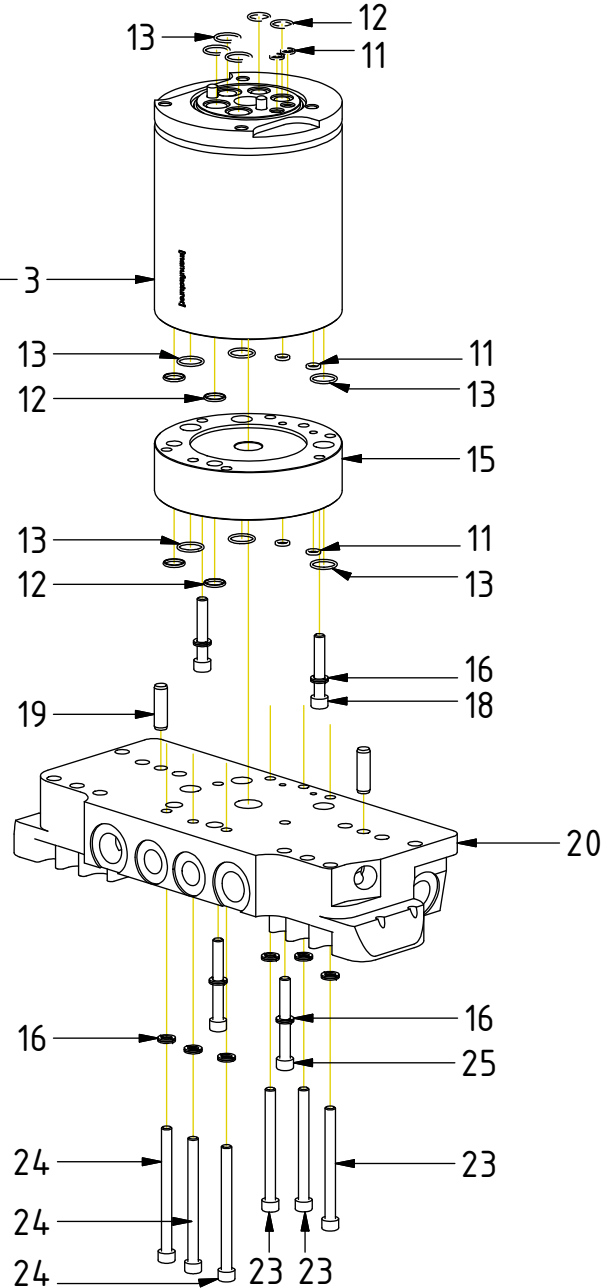
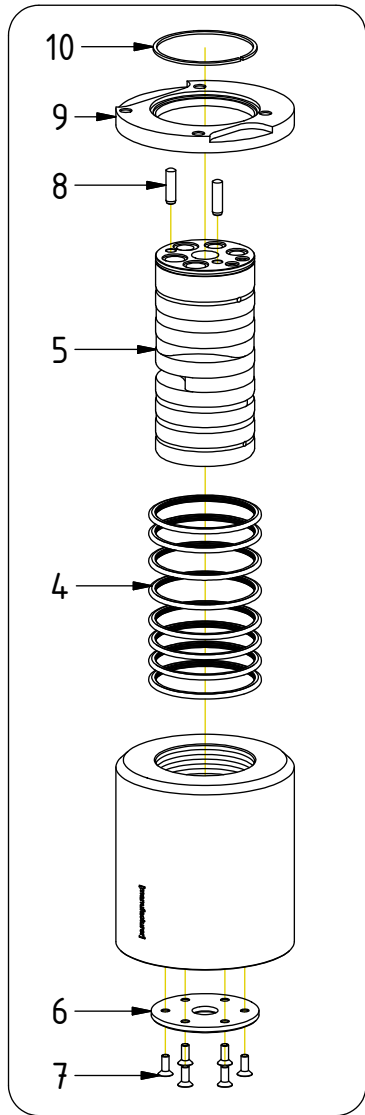


POS	DESCRIPTION	PART	QTY	COMMENTS
1	Connectionbl. & Swivel QSM70 EC226	1052682	1	(POS.3, 11-14, 16-17, 19-23 incl.)
3	Swivel 7-ch QSM60/70 Compl. Steel	1049276	1	(POS.4-10 incl.)
4	Swivel Sealing 80/91x4,2	1039544	8	
5	Swivel Piston QSM60/70	1046696	1	
6	Wear washer QSM60/70	1046697	1	
7	Screw MF6S 6x16	610604	6	Torque: 14Nm
8	Dowel pin CPK 8x30 m6	6000175	2	
9	Fastening ring swivel QSM60/70	1044052	1	
10	Snap ring 80/77,4 x2	1039555	1	
11	O-ring square 7,66x1,68	7000579	6	QTY: 2 part of quick hitch assy.
12	O-ring 14x1,78	710975	6	QTY: 2 part of quick hitch assy.
13	O-ring 17.17x1.78	710977	9	QTY: 3 part of quick hitch assy.
14	Extender swivel QSM70 Steel EC226	1052685	1	
16	Washer NL 8mm	611040	10	
17	MC6S M8x30 12.9	610435	2	Torque: 40Nm
19	Cylindrical pin	1015672	2	
20	Connection block QSM70	1049313	2	
21	MC6S M8x60 12.9	610441	2	Torque: 40Nm
22	MC6S M8x70 12.9	610443	3	Torque: 40Nm
23	MC6S M8x90 12.9	610444	3	Torque: 40Nm

POS in order of assembly

Connection block & Swivel QSM70

EC233



POS	DESCRIPTION	PART	QTY	COMMENTS
2	Connectionbl. & Swivel QSM70 EC233	1050703	1	(POS.3, 11-13,15-16,18-20, 23-25 incl.)
3	Swivel 7-ch QSM60/70 Compl. Steel	1049276	1	(POS.4-10 incl.)
4	Swivel Sealing 80/91x4,2	1039544	8	
5	Swivel Piston QSM60/70	1046696	1	
6	Wear washer QSM60/70	1046697	1	
7	Screw MF6S 6x16	610604	6	Torque: 14Nm
8	Dowel pin CPK 8x30 m6	6000175	2	
9	Fastening ring swivel QSM60/70	1044052	1	
10	Snap ring 80/77,4 x2	1039555	1	
11	O-ring square 7,66x1,68	7000579	6	QTY: 2 part of quick hitch assy.
12	O-ring 14x1,78	710975	6	QTY: 2 part of quick hitch assy.
13	O-ring 17.17x1.78	710977	9	QTY: 3 part of quick hitch assy.
15	Extender swivel QSM70 Steel EC233	1050762	1	
16	Washer NL 8mm	611040	10	
18	MC6S M8x50 12.9	610439	2	Torque: 40Nm
19	Cylindrical pin	1015672	2	
20	Connection block QSM70	1049313	2	
23	MC6S M8x90 12.9	610444	3	Torque: 40Nm
24	MC6S M8x100 12.9	610447	3	Torque: 40Nm
25	MC6S M8x65 12.9	610442	2	Torque: 40Nm

POS in order of assembly