

COVERSHEET

Planned document changes:

Briefly:

No planned changes.

Document changes:

Date:	Change:	Rev. after change:
2023-08-28	Reinforcements updated. GRB1250/1500L removed.	B
2021-10-01	Layout/irrelevant.	A
2018-04-24	New document.	-

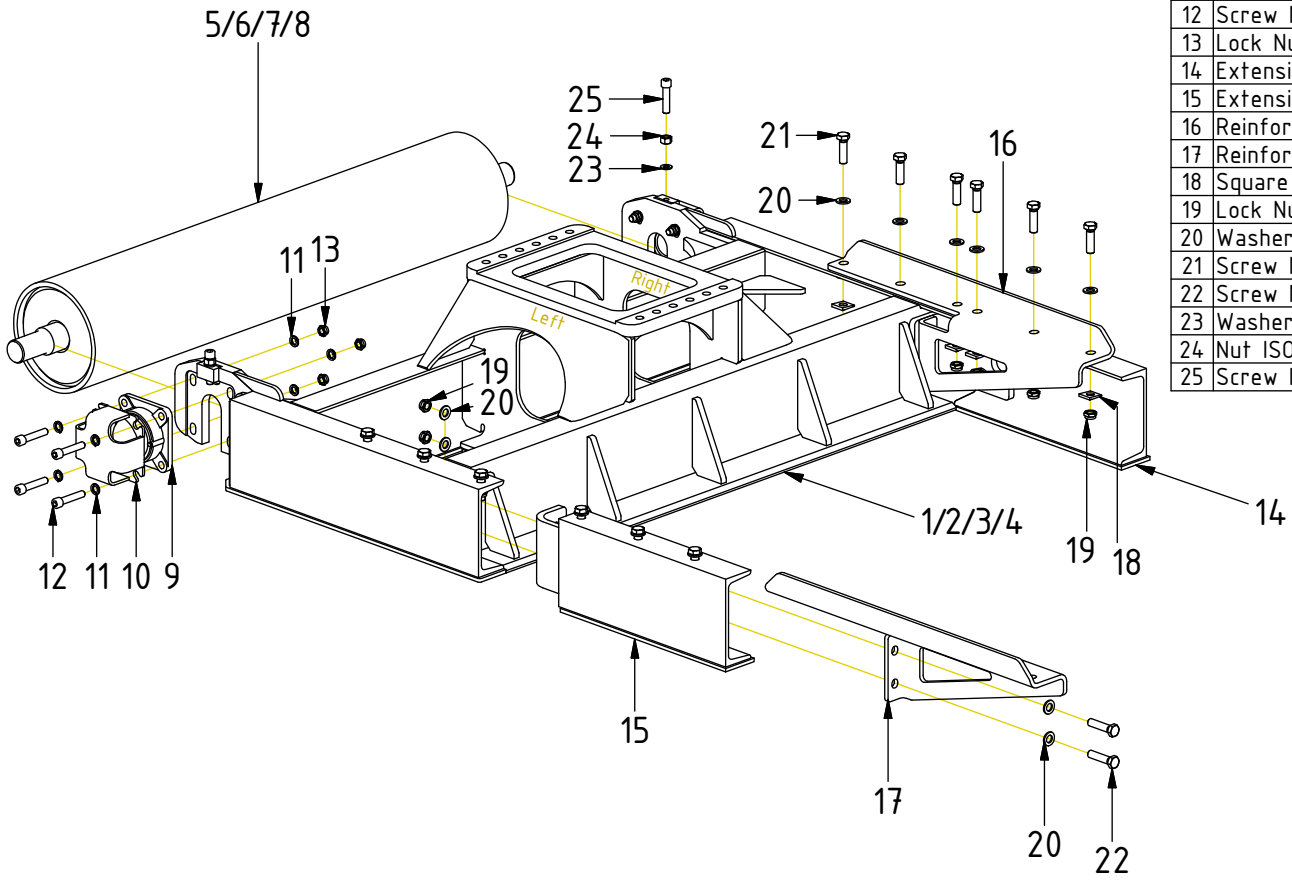
Readers note:

Indicates instruction.



Represents Hose.

Dashed lines for overview, mounts
on other pages/assemblies.



POS	DESCRIPTION	PART	QTY	COMMENTS
1	Grading beam frame 1.5m	1031788	1	
2	Grading beam frame 2.0m	1031773	1	
3	Grading beam frame 2.5m	1030099	1	
4	Grading beam frame 3.0m	1031808	1	
5	Roller 1.5m	1031800	1	
6	Roller 2.0m	1031786	1	
7	Roller 2.5m	1030672	1	
8	Roller 3.0m	1031820	1	
9	Bearing CM-UCF 210 2TB FKL	6000020	2	
10	Bearing cover	1047321	2	
11	Washer NL 14mm	611043	16	
12	Screw MC6S M14x70 12.9	6000172	8	
13	Lock Nut M6M M14x2 8,8 FZB	610925	8	
14	Extension Right	1032154	1	
15	Extension Left	1032146	1	
16	Reinforcement GRB Right	1072884	1	
17	Reinforcement GRB Left	1072920	1	
18	Square Beveled Washer	6000028	12	
19	Lock Nut M6M M16x2 8,8 FZB	610926	16	
20	Washer BRB 17x30x3	611009	32	
21	Screw M6S M16x55 8,8 FZB	610208	12	
22	Screw M6S M16x65 8,8 FZB	6000254	4	
23	Washer M14 ISO 7089	6000023	2	
24	Nut ISO 4032 M14	6000022	2	
25	Screw ISO 4762 M14x60	6000021	2	