

## COVERSHEET

### Planned document changes:


**Briefly:**

2024-09-12. Remove comment from POS.41.

### Document changes:

Date:	Change:	Rev. after change:
2024-08-14	ss10 (DC2/SVAB) & ss9 ECO blocks updated. DC3 cable updated.	J
2023-10-23	DC3 added.	I
2023-09-20	Spare parts updated.	H
2023-01-30	New ECO std. configurations from 2023.	G
2022-06-09	Covers updated. Photos added.	F
2020-05-20	ECO couplings replaced. DC2 option 5hyd added.	E
2019-12-10	New cover for EC-Oil added.	D
2019-11-05	EC-Oil ePS cables added.	C
2019-01-28	EC-Oil updates: magnetic covers added, lubrication kit replaced, power plug replaced.	B
2018-08-30	EC-Oil Machine cable DC2 replaced.	A
2018-02-28	New document.	-

*Readers note:*

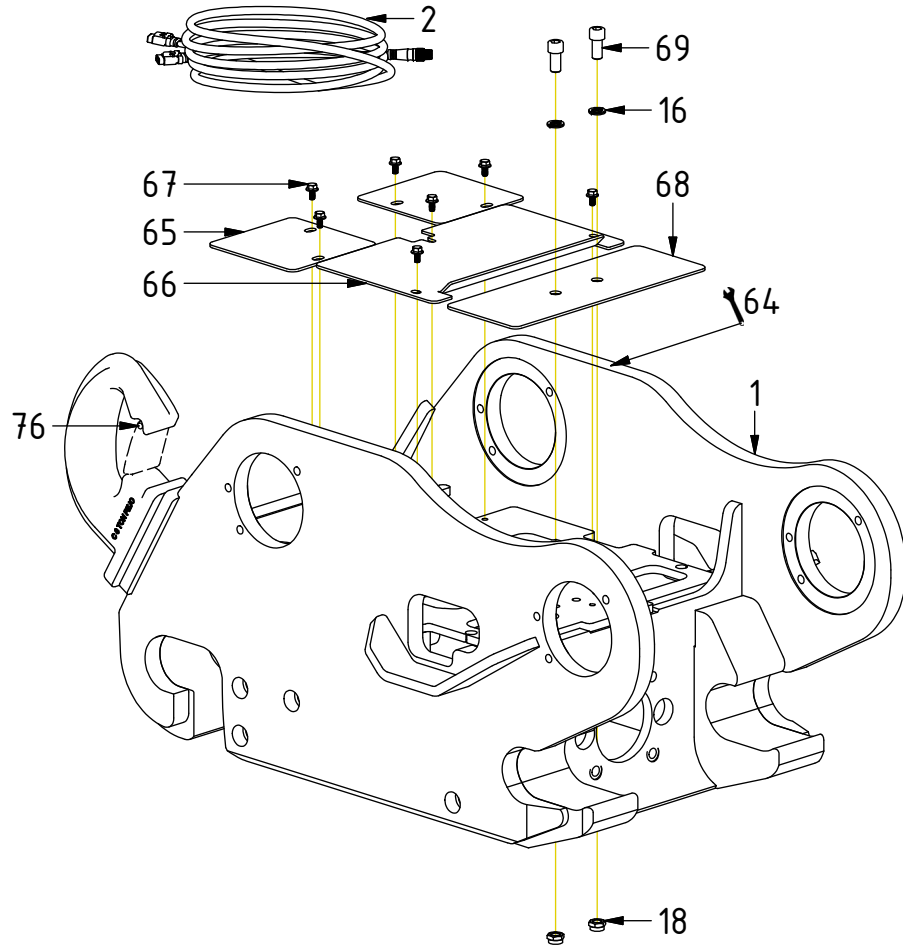
 Indicates instruction.

 Represents Hose.

Dashed lines for overview, mounts on other pages/assemblies.

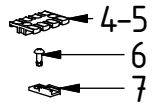
- 4-5
- 6
- 7
- 8
- 9

Without EC-Oil

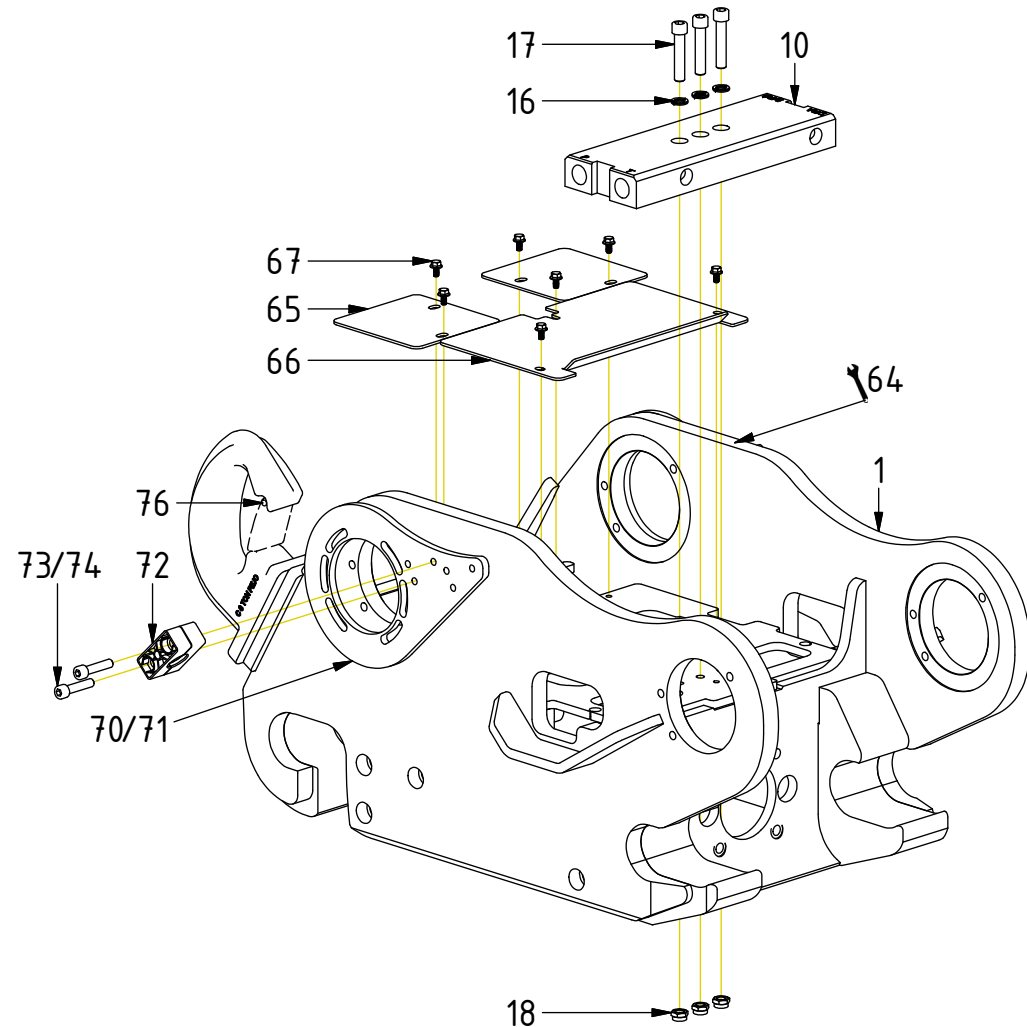


POS	DESCRIPTION	PART	QTY	COMMENTS
1	Quick hitch is selected via engcon			(Machine dependent)
2	Cable QS -QLM- Machine hitch 4,5m	842149	1	Attach to QS sensors
4	Strain relief plate ZL60	8000703	1	
5	Strain relief plate ZL87	8000704	1	
6	Blind rivet 4,8x16	6000294	10	
7	Holder Deutsch coupling	810662	6	
8	Screw K6S M5x8 10.9 FZB	611801	4	QTY depends on config.
9	Rubber steel clamp ø6	6000027	1	
16	Washer NL 12mm	611042	3	QTY: 2 without EC-Oil
18	Lock Nut M6M M12x1,75 8,8 FZB	610924	3	QTY: 2 without EC-Oil
64	Punch serial number into hitch			
65	Cover QS70 small	1040068	2	
66	Cover QS70 V2	1052640	1	
67	Screw M6SF 8x12H Riffled	6000120	7	
68	Cover QS70 w/o ECO	1052582	1	
69	Screw MC6S M12x25 12.9 ZFSL	6000164	2	
76	Safety latch	405177	1	Lifting hook spare part

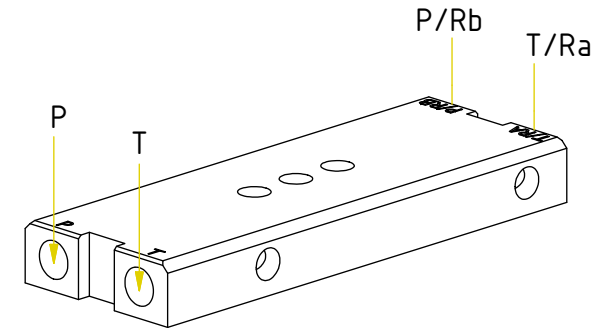
POS in order of assembly



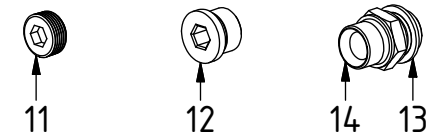
EC-Oil



POS	DESCRIPTION	PART	QTY	COMMENTS
1	Quick hitch is selected via engcon			(Machine dependent)
4	Strain relief plate ZL60	8000703	1	
5	Strain relief plate ZL87	8000704	1	
6	Blind rivet 4,8x16	6000294	10	
7	Holder Deutsch coupling	810662	6	
10	Connection block QS70	1037805	1	
11	Pipe plug DIN 906 M22x1,5	7000457	2	
12	Plug 70125-12 (3/4")	711532	2	QTY depends on config.
13	Washer GBR12 3/4	710706	6	QTY depends on config.
14	Adapter 136-12-12 (3/4")	710126	6	QTY depends on config.
16	Washer NL 12mm	611042	3	QTY: 2 without EC-Oil
17	Screw MC6S M12x60 12.9 ZFSHL	6000140	3	
18	Lock Nut M6M M12x1,75 8,8 FZB	610924	3	QTY: 2 without EC-Oil
64	Punch serial number into hitch			
65	Cover QS70 small	1040068	2	
66	Cover QS70 V2	1052640	1	
67	Screw M6SF 8x12H Riffled	6000120	7	
70	Mounting plate hose holder Ø116	1040757	2	With inserts
71	Mounting plate hose holder Ø100	1049927	2	With inserts
72	Hose holder Complete (2 halves)	7000928	2	With inserts and with welded
73	Screw MC6S M10x45 12.9 ZFSHL	612021	4	With inserts
74	Screw MC6S M10x40 12.9 ZFSHL	612020	4	With welded
76	Safety latch	405177	1	Lifting hook spare part



Positions and quantity depends on control system and other hose configs. (all right, all left, etc) :



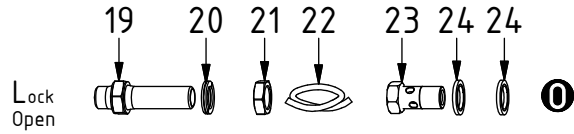
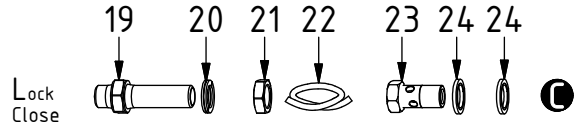
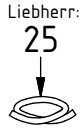
Only for ss9. In P & T/Ra before plug

Plug where there are no adapters

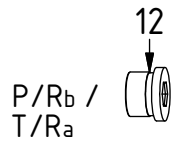
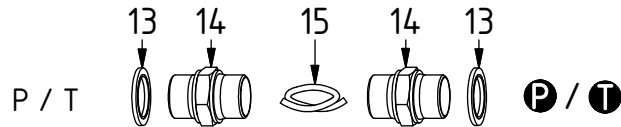
Use depending on which channels are relevant for the config.

POS in order of assembly

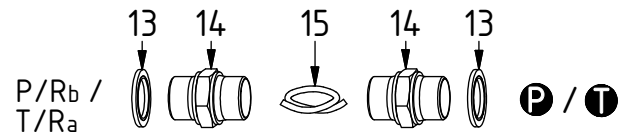
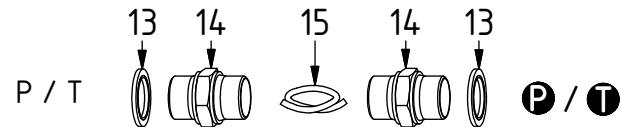
## Hoses



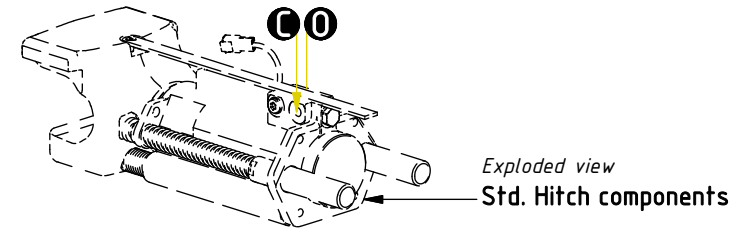
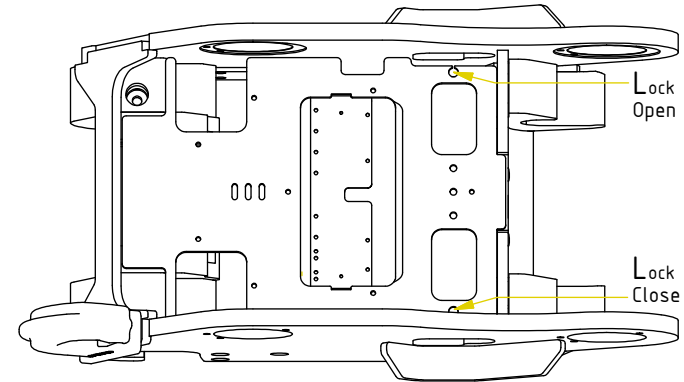
### EC-Oil 1bl.



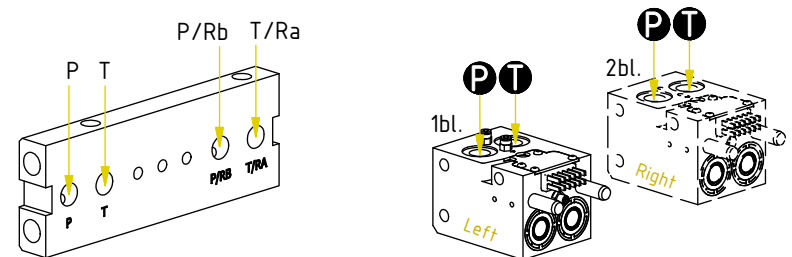
### EC-Oil 2bl.

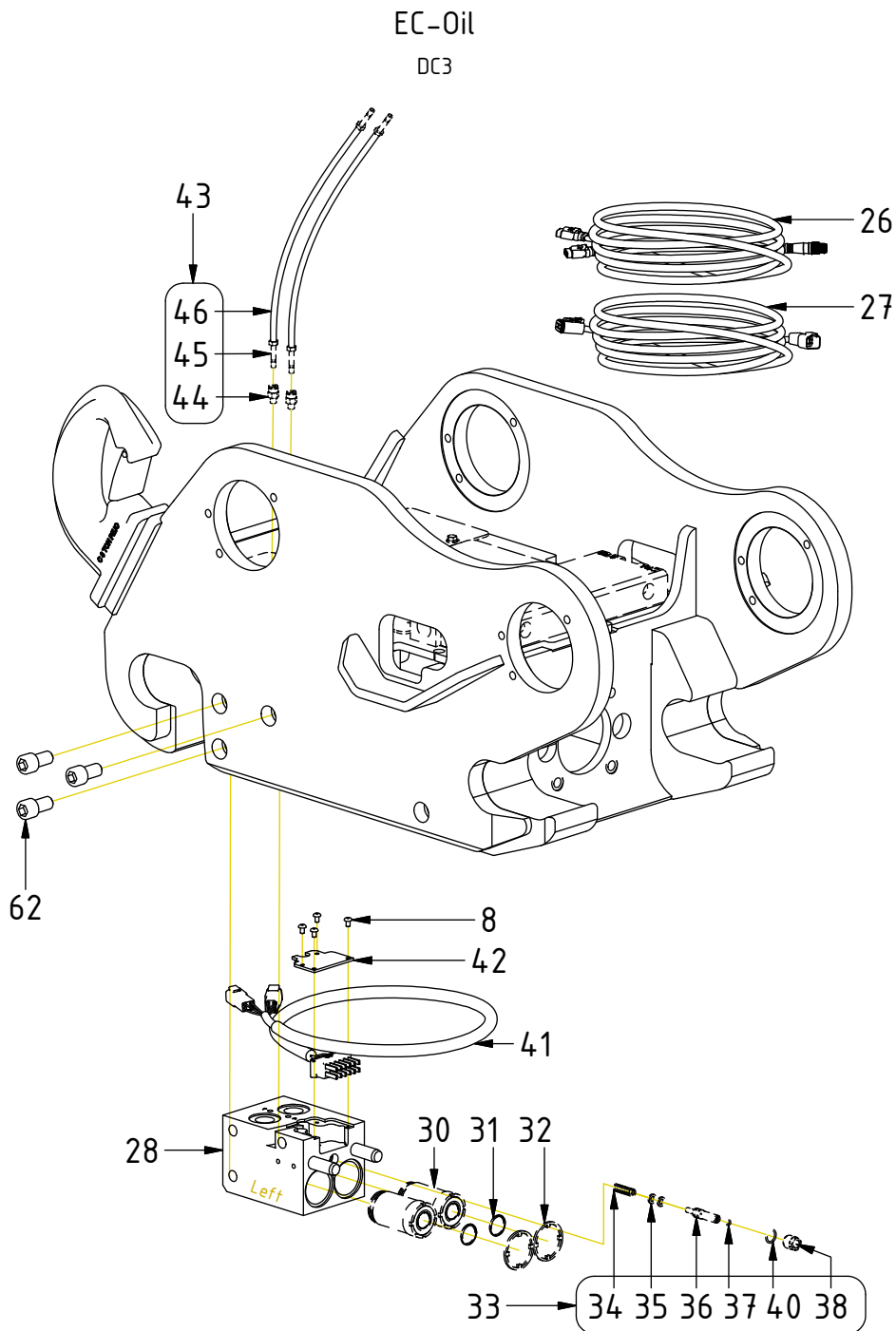


POS	DESCRIPTION	PART	QTY	COMMENTS
12	Plug 70125-12 (3/4")	711532	2	QTY depends on config.
13	Washer GBR12 3/4	710706	6	QTY depends on config.
14	Adapter 136-12-12 (3/4")	710126	6	QTY depends on config.
15	Hose EC070 W connection block	7000499	2	(QTY: 4 for 2bl.)
19	Adapter 1260-04-40 (1/4")	710261	2	
20	Washer NL 1/2"	611096	2	
21	Counternut 1270-04 (1/4")	710250	2	
22	Hose Lock	7000936	2	
23	Banjo bolt 4451-04 (1/4")	710271	2	
24	Washer GBR04 1/4	710702	4	
25	Hose Lock 2 - Liebherr		2	For Liebherr, add this to POS.19

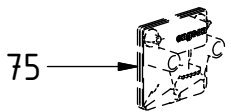


### EC-Oil:



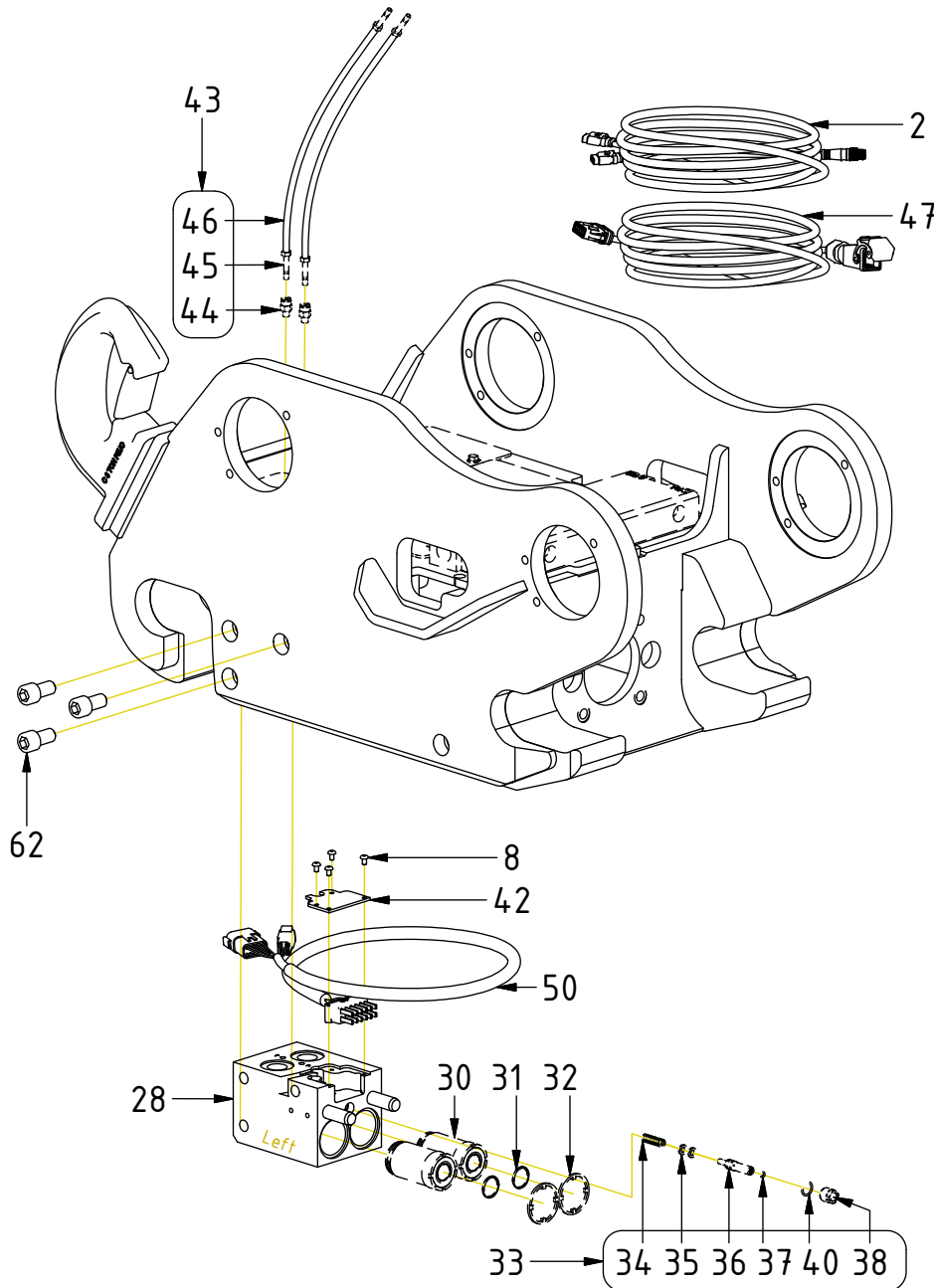


POS	DESCRIPTION	PART	QTY	COMMENTS
8	Screw K6S M5x8 10.9 FZB	611801	4	QTY depends on config.
26	Cable QS -QLM- Machine hitch 3,4m	8000863	1	Attach to QS sensors
27	Cable ECO W DC3 3m (4S, 4P)	8002297	1	Attach to 4P
28	Block ECO70W Hitch 2hy.1cl. Compl.	1074023	1	(POS.29-30, 32-33 incl.)
29	Block ECO70 W Hitch	1074020	1	
30	Coupling ECO W 3/4" V3	1050579	2	Torque: 60Nm. (POS.31 incl.)
31	Flat sealing for ECO 3/4" V3	1050580	2	
32	Dirt protection Block ECO 3/4"	1028275	2	
33	Lubrication kit ECO W V2	1050794	1	(POS.34-40 incl.)
34	Spring 6058	1024113	1	
35	Piston sealing KPOR130 12x7,1x2,2	1024112	2	(O-ring incl. with seal ring)
36	Grease piston	1024111	1	
37	O-ring 3,69x1,78	1024115	1	
38	Nut grease piston	1047688	1	Wrap with thread sealing tape
39	O-ring 9,25x1,78	712429	1	Located inside nut
40	O-ring 14x2	7000767	1	
41	Power plug ECO W Hitch (4P, 6P)	8002100	1	Cable gland torque: 6Nm
42	Coverplate block ECO70 W Hitch	1074691	1	
43	Hose kit - lubricant ECO W	7000514	1	(POS.44-46 incl.)
44	Straight Push-in M8x1	790185	2	
45	Pipe stub straight Push-in	790175	2	
46	Hose 2m - lubricant ECO	790176	1	
62	Screw MC6S M16x30 12.9 ZFSLH	6000201	3	Loxal 83-52
75	Transport Protection ECO-Block	1047858	1	Part of make up



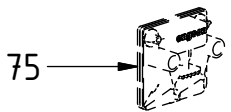
POS in order of assembly

EC-Oil  
DC2 Std. config.

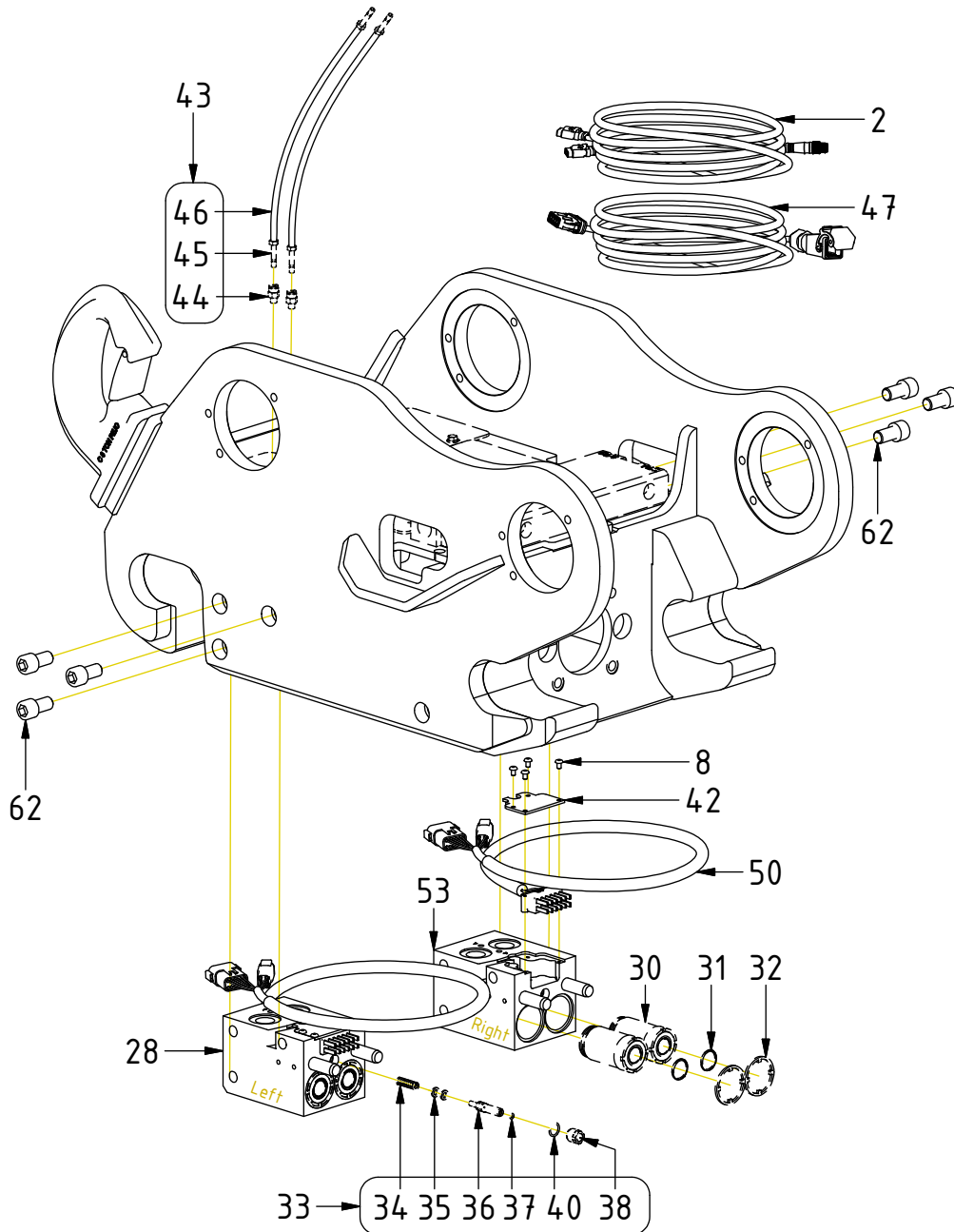


POS	DESCRIPTION	PART	QTY	COMMENTS
2	Cable QS -QLM- Machine hitch 4,5m	842149	1	Attach to QS sensors
8	Screw K6S M5x8 10.9 FZB	611801	4	QTY depends on config.
28	Block ECO70W Hitch 2hy.1cl. Compl.	1074023	1	(POS.29-30, 32-33 incl.)
29	Block ECO70 W Hitch	1074020	1	
30	Coupling ECO W 3/4" V3	1050579	2	Torque: 60Nm. (POS.31 incl.)
31	Flat sealing for ECO 3/4" V3	1050580	2	
32	Dirt protection Block ECO 3/4"	1028275	2	
33	Lubrication kit ECO W V2	1050794	1	(POS.34-40 incl.)
34	Spring 6058	1024113	1	
35	Piston sealing KPOR130 12x7,1x2,2	1024112	2	(O-ring incl. with seal ring)
36	Grease piston	1024111	1	
37	O-ring 3,69x1,78	1024115	1	
38	Nut grease piston	1047688	1	Wrap with thread sealing tape
39	O-ring 9,25x1,78	712429	1	Located inside nut
40	O-ring 14x2	7000767	1	
42	Coverplate block ECO70 W Hitch	1074691	1	
43	Hose kit - lubricant ECO W	7000514	1	(POS.44-46 incl.)
44	Straight Push-in M8x1	790185	2	
45	Pipe stub straight Push-in	790175	2	
46	Hose 2m - lubricant ECO	790176	1	
47	Machine cable ECO70 W DC2	1048528	1	Attach to 12P
50	Power plug ECO W Hitch (12P, 6P)	1042243	1	Cable gland torque: 6Nm
62	Screw MC6S M16x30 12.9 ZFSL	6000201	3	Loxal 83-52
75	Transport Protection ECO-Block	1047858	1	Part of make up

POS in order of assembly

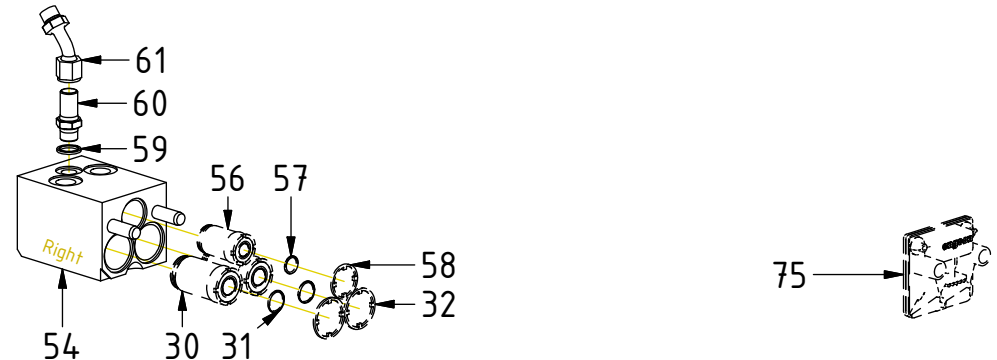


EC-Oil  
DC2 Option 2bl.

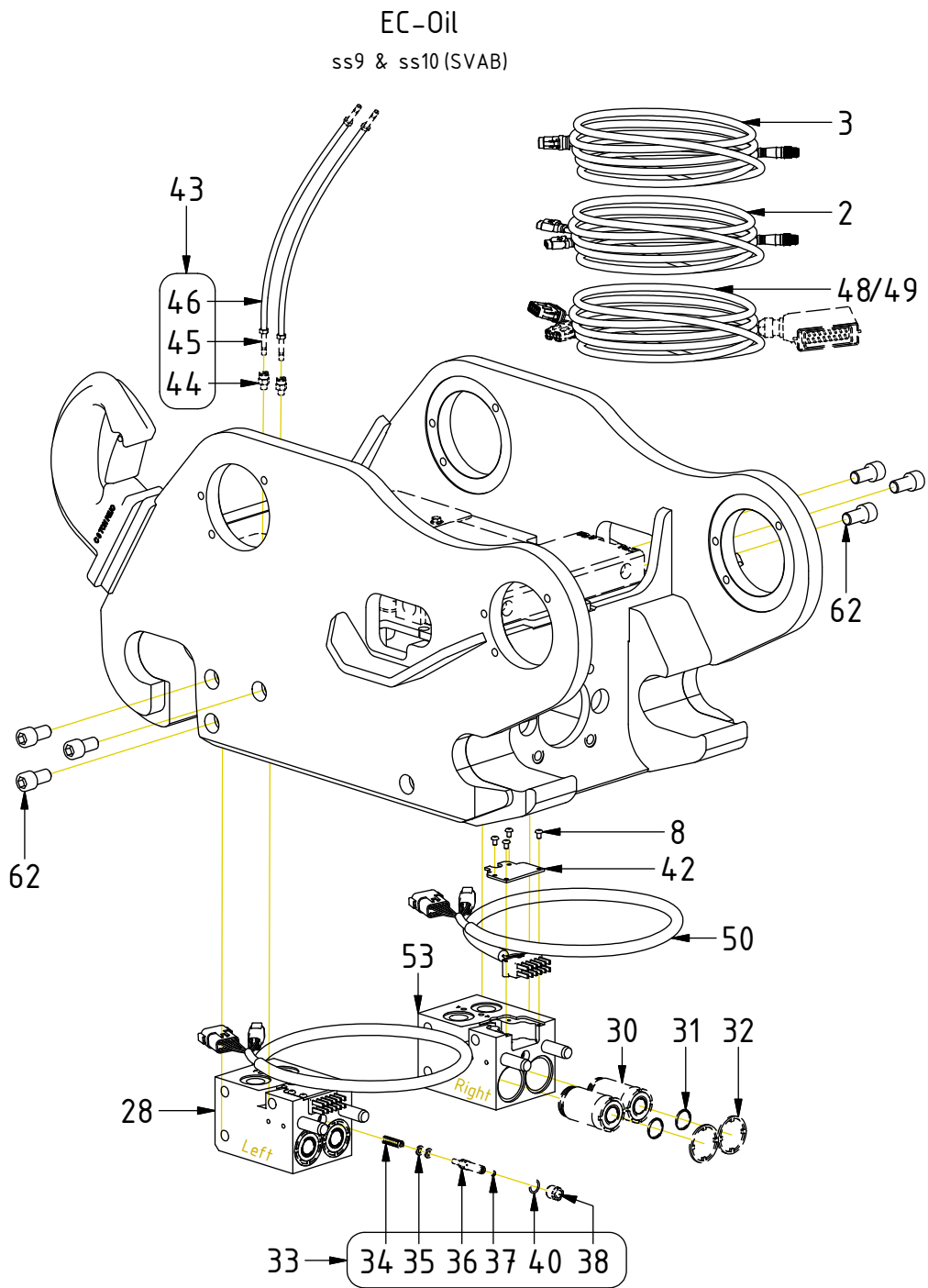


POS	DESCRIPTION	PART	QTY	COMMENTS
2	Cable QS -QLM- Machine hitch 4,5m	842149	1	Attach to QS sensors
8	Screw K6S M5x8 10.9 FZB	611801	4	QTY depends on config.
28	Block ECO70W Hitch 2hy.1cl. Compl.	1074023	1	(POS.29-30, 32-33 incl.)
29	Block ECO70 W Hitch	1074020	1	
30	Coupling ECO W 3/4" V3	1050579	2	Torque: 60Nm. (POS.31 incl.)
31	Flat sealing for ECO 3/4" V3	1050580	2	
32	Dirt protection Block ECO 3/4"	1028275	2	
33	Lubrication kit ECO W V2	1050794	1	(POS.34-40 incl.)
34	Spring 6058	1024113	1	
35	Piston sealing KPOR130 12x7,1x2,2	1024112	2	(O-ring incl. with seal ring)
36	Grease piston	1024111	1	
37	O-ring 3,69x1,78	1024115	1	
38	Nut grease piston	1047688	1	Wrap with thread sealing tape
39	O-ring 9,25x1,78	712429	1	Located inside nut
40	O-ring 14x2	7000767	1	
43	Hose kit - lubricant ECO W	7000514	1	(POS.44-46 incl.)
44	Straight Push-in M8x1	790185	2	
45	Pipe stub straight Push-in	790175	2	
46	Hose 2m - lubricant ECO	790176	1	
47	Machine cable ECO70 W DC2	1048528	1	Attach to Left 12P
50	Power plug ECO W Hitch (12P, 6P)	1042243	1	Cable gland torque: 6Nm
53	Block ECO70W Hitch 2hy. Complete	1076534	1	(POS.29-30 incl.)
54	Block ECO70W Hitch 3hy. Complete	1055720	1	(POS.30, 32, 55-56, 58 incl.)
55	Block ECO70 W 3-hyd Hitch	1047971	1	
56	Coupling ECO W 1/2" V3	1054580	1	Torque: 60Nm. (POS.57 incl.)
57	Flat sealing for ECO W 1/2" V3	1050018	1	
58	Dirt protection block ECO 1/2"	1028229	1	
59	Washer GBR08 1/2	710704	1	
60	Adapter 1260-08-08 (1/2")	710244	1	
61	Adapter 489-08-08 45° (1/2")	710166	1	
75	Transport Protection ECO-Block	1047858	1	Part of make up
78	Coverplate w/o slot ECO70 W	1041139	1	Used for block w/o cable slot

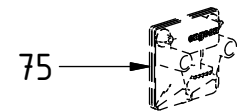
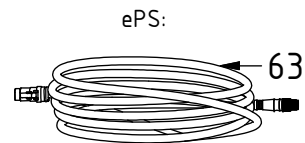
Option 5 hyd:



POS in order of assembly



POS	DESCRIPTION	PART	QTY	COMMENTS
2	Cable QS -QLM- Machine hitch 4,5m	842149	1	Attach to QS sensors
3	Cable QS -QLM- Tilt rotator	842148	1	Attach to Left 6P
8	Screw K6S M5x8 10.9 FZB	611801	4	QTY depends on config.
28	Block ECO70W Hitch 2hy.1cl. Compl.	1074023	1	(POS.29-30, 32-33 incl.)
29	Block ECO70 W Hitch	1074020	1	
30	Coupling ECO W 3/4" V3	1050579	2	Torque: 60Nm. (POS.31 incl.)
31	Flat sealing for ECO 3/4" V3	1050580	2	
32	Dirt protection Block ECO 3/4"	1028275	2	
33	Lubrication kit ECO W V2	1050794	1	(POS.34-40 incl.)
34	Spring 6058	1024113	1	
35	Piston sealing KPOR130 12x7,1x2,2	1024112	2	(O-ring incl. with seal ring)
36	Grease piston	1024111	1	
37	O-ring 3,69x1,78	1024115	1	
38	Nut grease piston	1047688	1	Wrap with thread sealing tape
39	O-ring 9,25x1,78	712429	1	Located inside nut
40	O-ring 14x2	7000767	1	
42	Coverplate block ECO70 W Hitch	1074691	1	
43	Hose kit - lubricant ECO W	7000514	1	(POS.44-46 incl.)
44	Straight Push-in M8x1	790185	2	
45	Pipe stub straight Push-in	790175	2	
46	Hose 2m - lubricant ECO	790176	1	
48	Machinecable ECO70W ss9-2 (1x 12P)	1036846	1	Attach to Left 12P
49	Machinecable ECO70W SVAB (2x 12P)	1029500	1	Attach to both 12P
50	Power plug ECO W Hitch (12P, 6P)	1042243	1	Cable gland torque: 6Nm
53	Block ECO70W Hitch 2hy. Complete	1076534	1	(POS.29-30 incl.)
63	Cable ePS ECO W ss9,ss10(SVAB)	1042246	1	Attach to Right 6P
75	Transport Protection ECO-Block	1047858	1	Part of make up



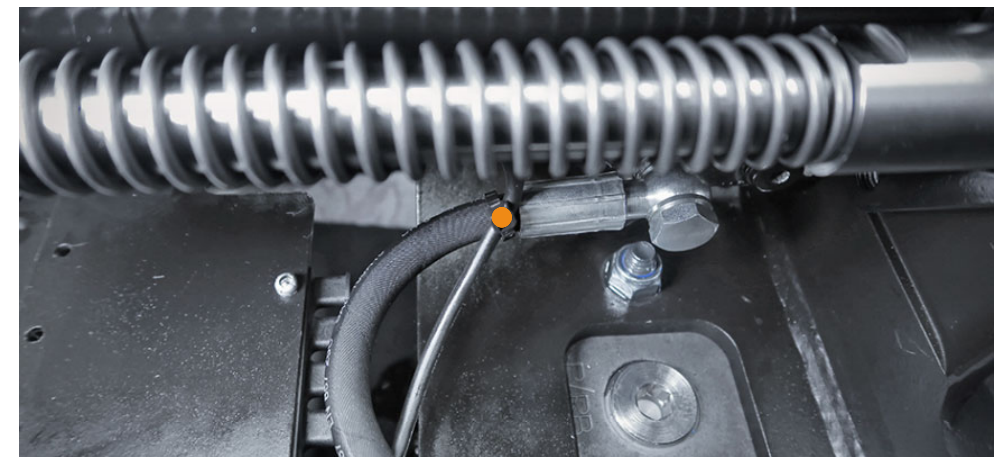
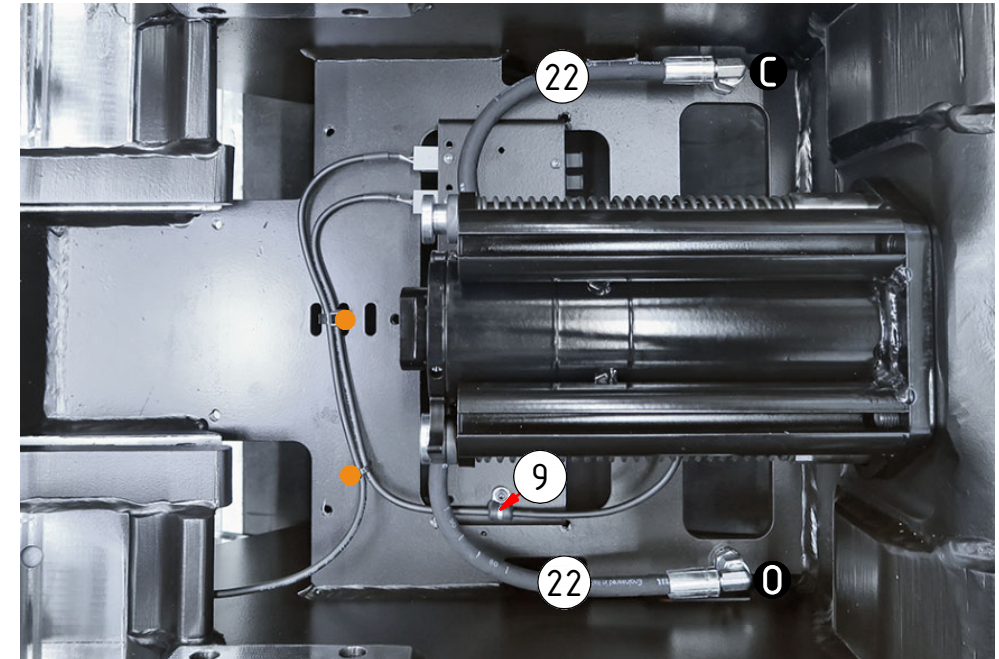
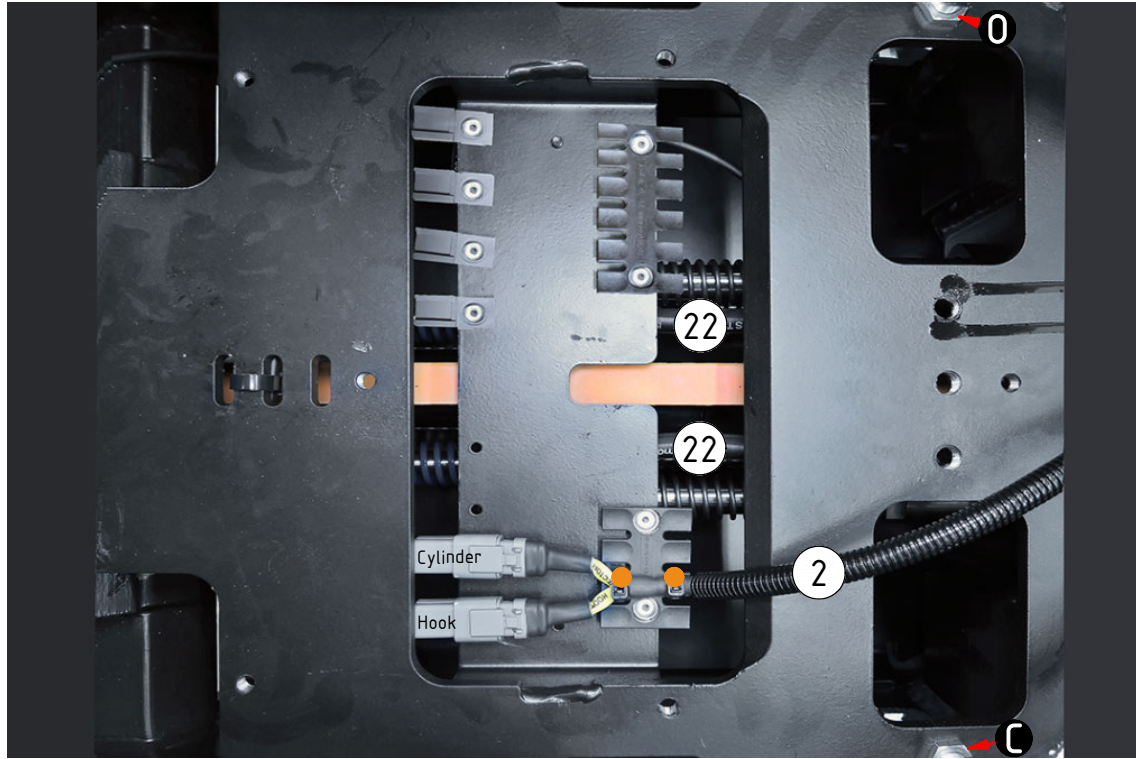
POS in order of assembly



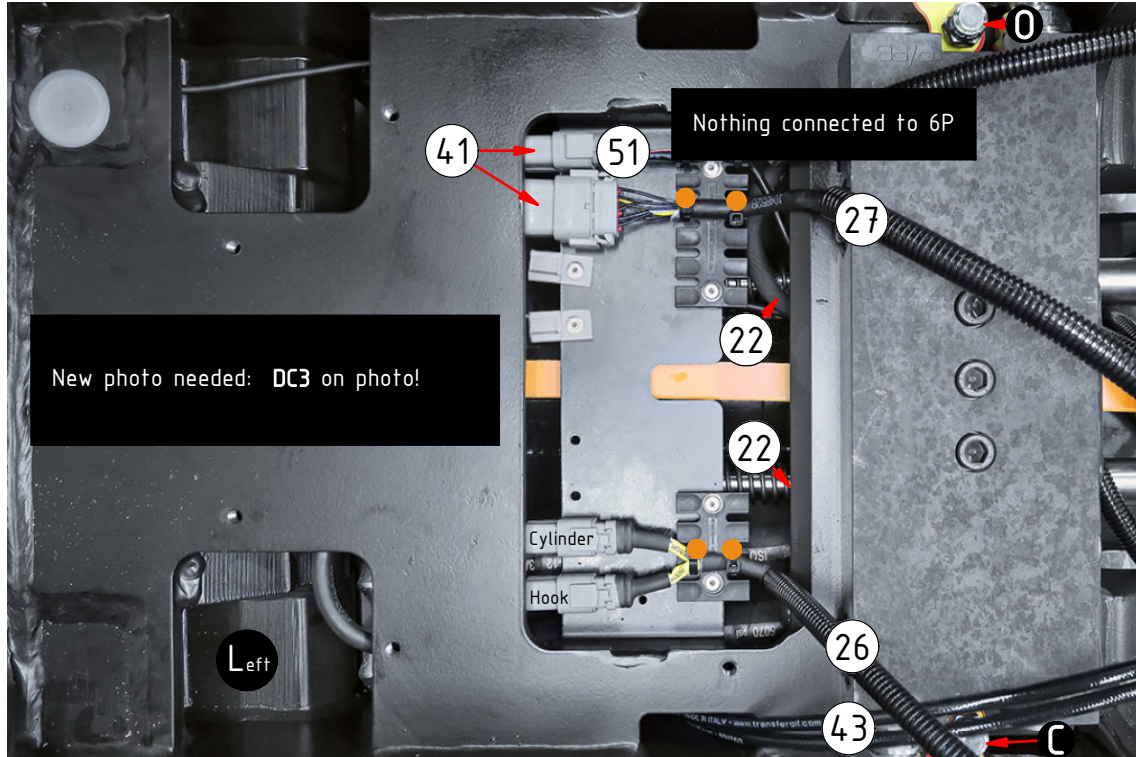
Without EC-Oil

POS	DESCRIPTION	PART	QTY	COMMENTS
2	Cable QS -QLM- Machine hitch 4,5m	842149	1	Attach to QS sensors
9	Rubber steel clamp ø6	6000027	1	
22	Hose Lock	7000936	2	
25	Hose Lock 2 - Liebherr		2	For Liebherr, add this to POS.19
●	Use cable ties			

POS in order of assembly

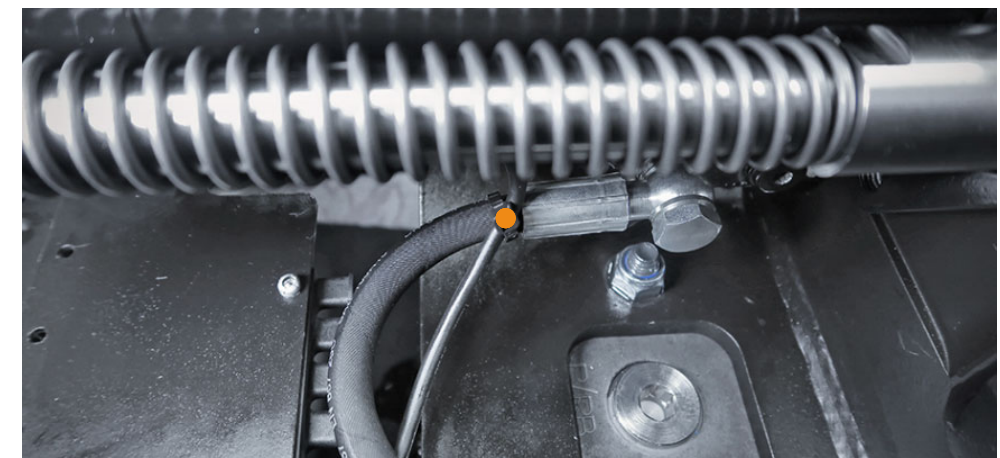
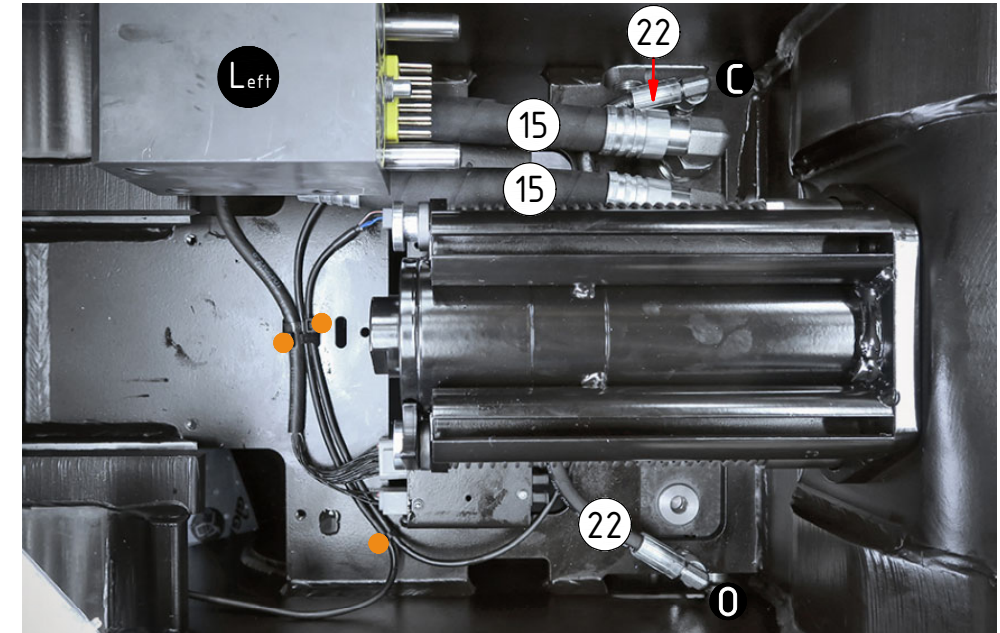


EC-Oil  
DC3

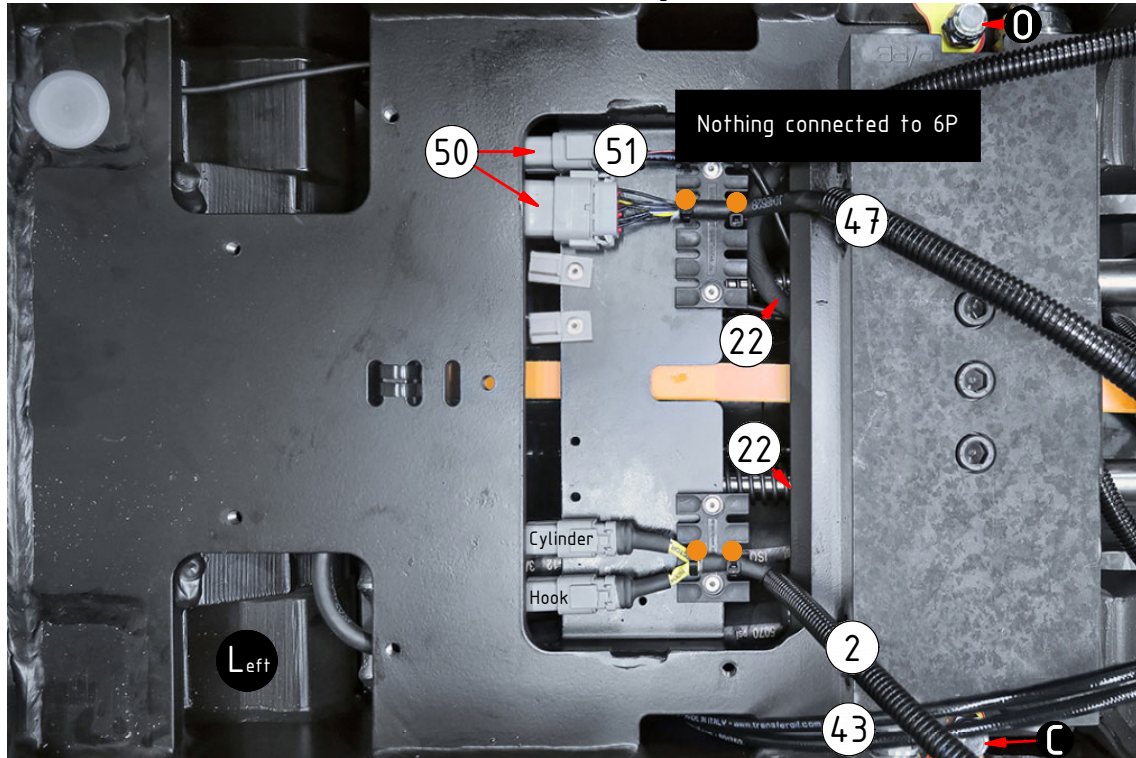


POS	DESCRIPTION	PART	QTY	COMMENTS
15	Hose ECO70 W connection block	7000499	2	(QTY: 4 for 2bl.)
22	Hose Lock	7000936	2	
25	Hose Lock 2 - Liebherr		2	For Liebherr, add this to POS.19
26	Cable QS -QLM- Machine hitch 3,4m	8000863	1	Attach to QS sensors
27	Cable ECO W DC3 3m (4S, 4P)	8002297	1	Attach to 4P
41	Power plug ECO W Hitch (4P, 6P)	8002100	1	Cable gland torque: 6Nm
43	Hose kit - lubricant ECO W	7000514	1	(POS.44-46 incl.)
51	Plug for 6P	8000620	1	QTY depends on config.
●	Use cable ties			

POS in order of assembly

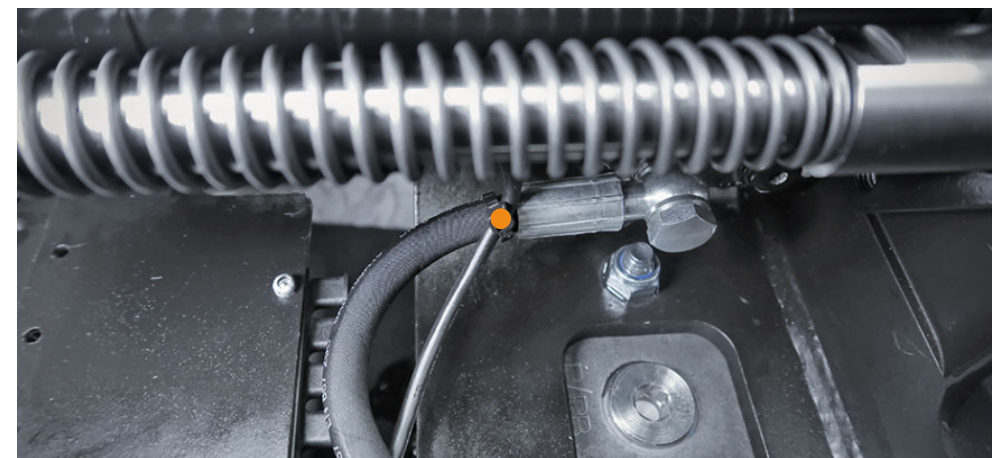
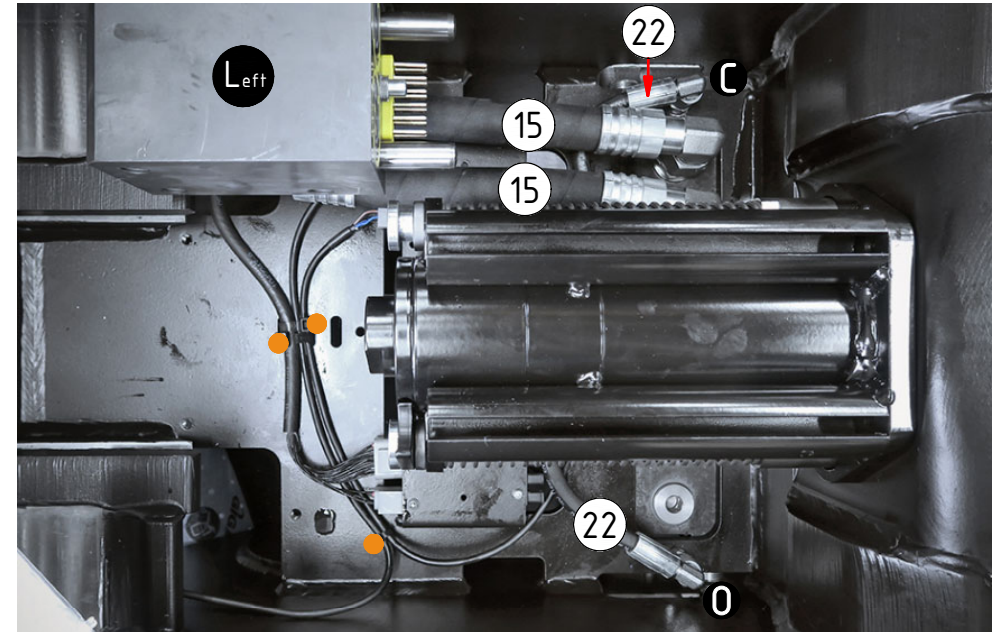


EC-Oil  
DC2 Std. config.

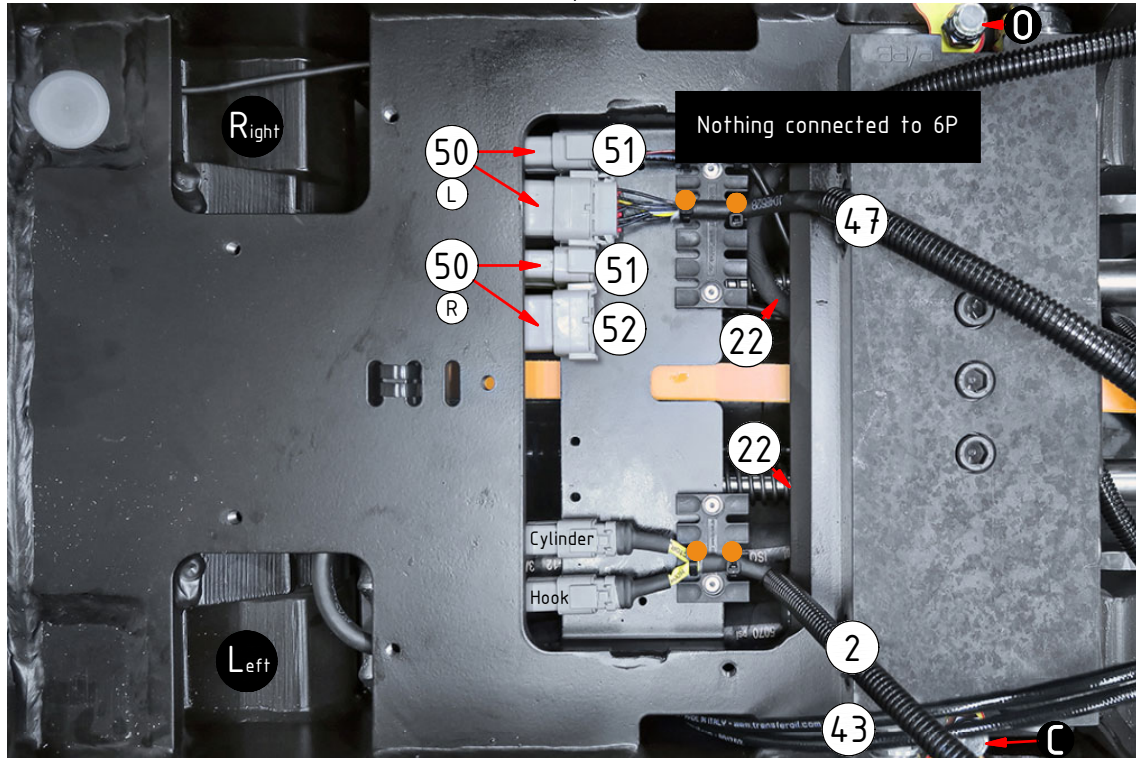


POS	DESCRIPTION	PART	QTY	COMMENTS
2	Cable QS -QLM- Machine hitch 4,5m	842149	1	Attach to QS sensors
15	Hose ECO70 W connection block	7000499	2	(QTY: 4 for 2bl.)
22	Hose Lock	7000936	2	
25	Hose Lock 2 - Liebherr		2	For Liebherr, add this to POS.19
43	Hose kit - lubricant ECO W	7000514	1	(POS.44-46 incl.)
47	Machine cable ECO70 W DC2	1048528	1	Attach to 12P
50	Power plug ECO W Hitch (12P, 6P)	1042243	1	Cable gland torque: 6Nm
51	Plug for 6P	8000620	1	QTY depends on config.
●	Use cable ties			

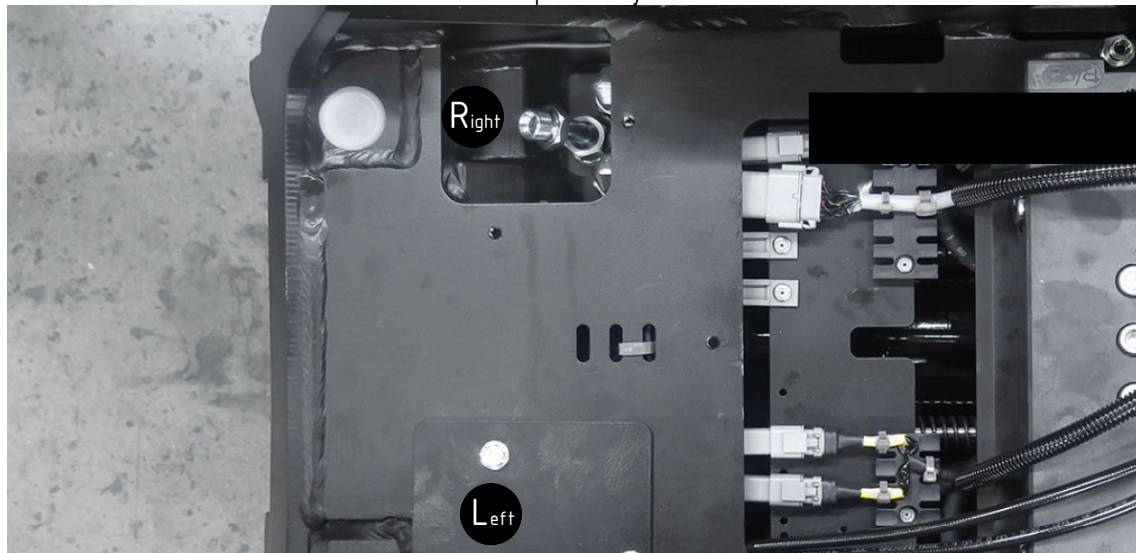
POS in order of assembly



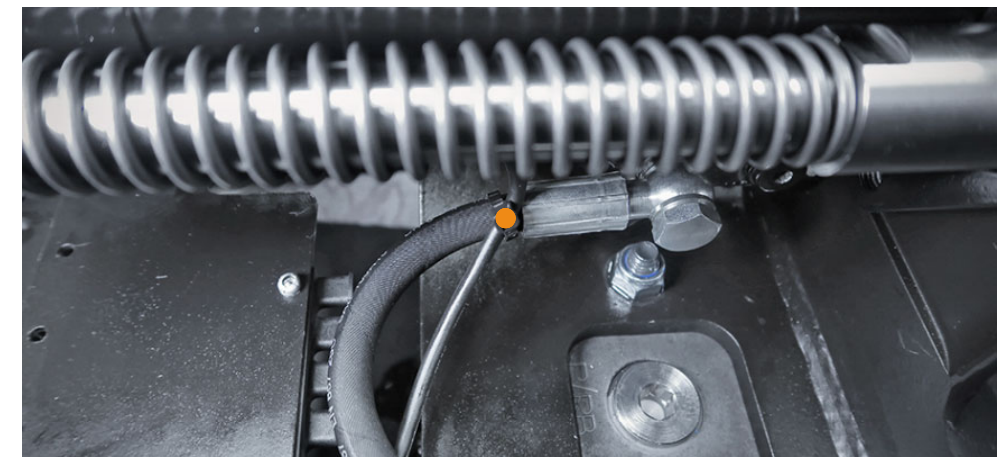
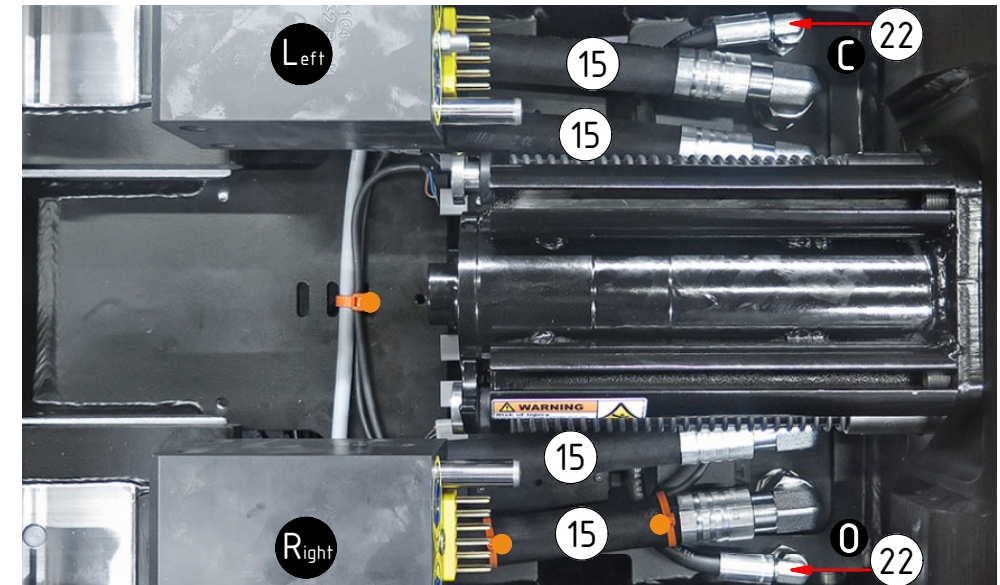
EC-Oil  
DC2 Option 2bl.



Option 5 hyd:

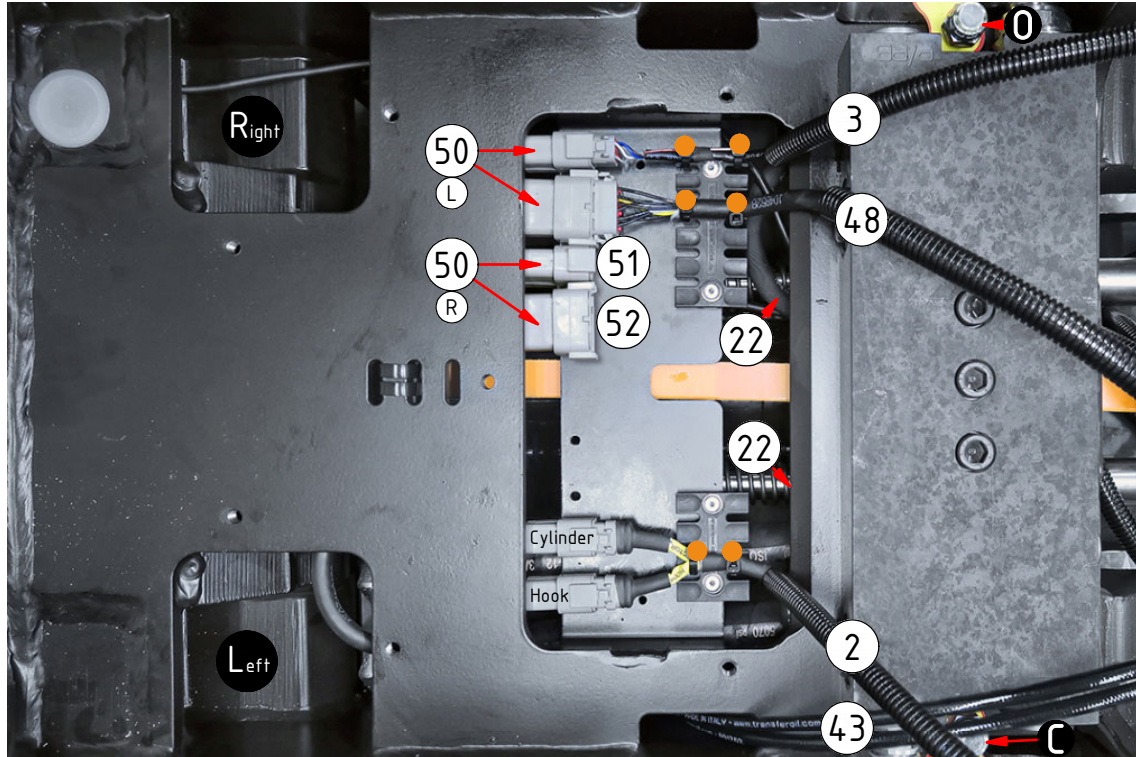


POS	DESCRIPTION	PART	QTY	COMMENTS
2	Cable QS -QLM- Machine hitch 4,5m	842149	1	Attach to QS sensors
15	Hose ECO70 W connection block	7000499	2	(QTY: 4 for 2bl.)
22	Hose Lock	7000936	2	
25	Hose Lock 2 - Liebherr		2	For Liebherr, add this to POS.19
43	Hose kit - lubricant ECO W	7000514	1	(POS.44-46 incl.)
47	Machine cable ECO70 W DC2	1048528	1	Attach to Left 12P
50	Power plug ECO W Hitch (12P, 6P)	1042243	1	Cable gland torque: 6Nm
51	Plug for 6P	8000620	1	QTY depends on config.
52	Plug for 12P	8002058	1	QTY depends on config.
●	Use cable ties			

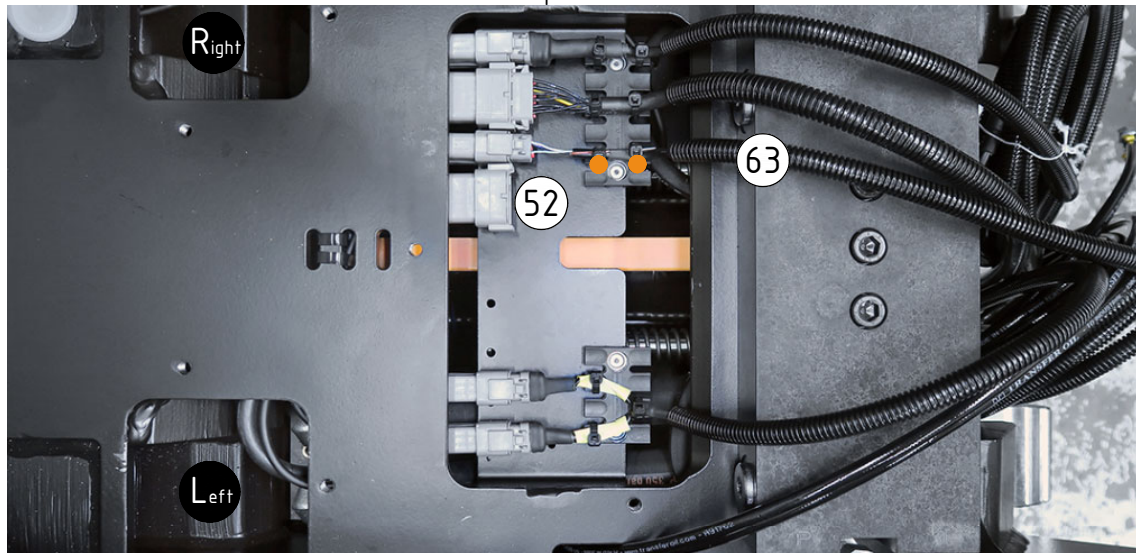


POS in order of assembly

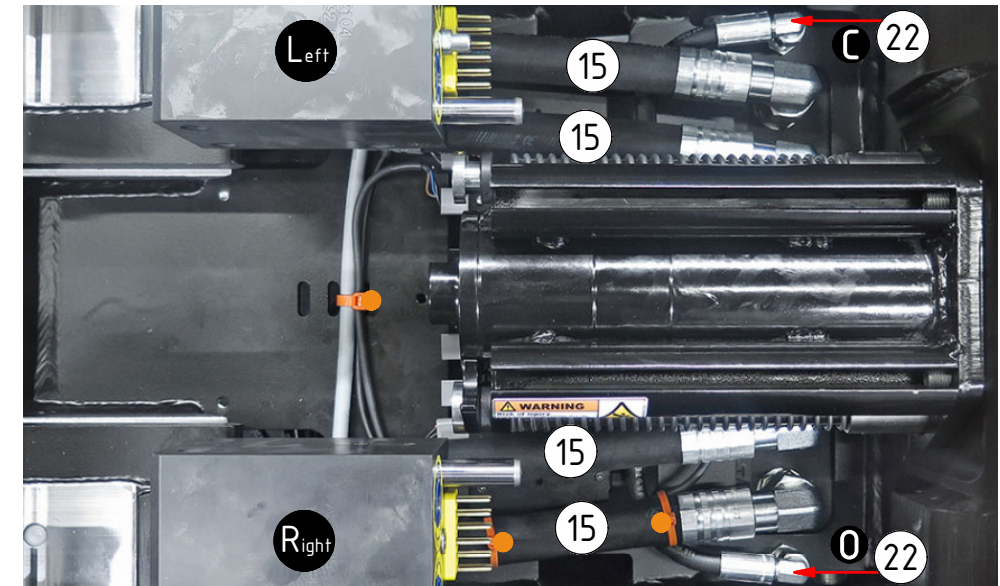
EC-Oil  
ss9



Option ePS:

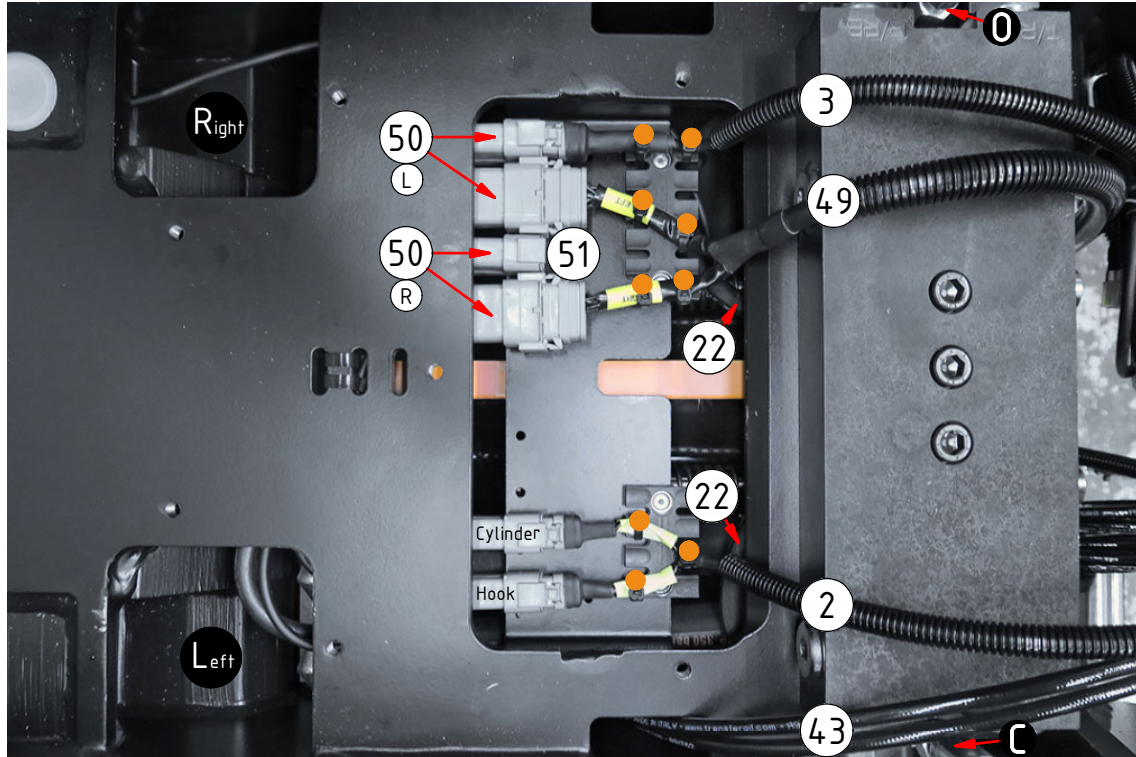


POS	DESCRIPTION	PART	QTY	COMMENTS
2	Cable QS -QLM- Machine hitch 4,5m	842149	1	Attach to QS sensors
3	Cable QS -QLM- Tilt rotator	842148	1	Attach to Left 6P
15	Hose ECO70 W connection block	7000499	2	(QTY: 4 for 2bl.)
22	Hose Lock	7000936	2	
25	Hose Lock 2 - Liebherr		2	For Liebherr, add this to POS.19
43	Hose kit - lubricant ECO W	7000514	1	(POS.44-46 incl.)
48	Machinecable ECO70W ss9-2 (1x 12P)	1036846	1	Attach to Left 12P
50	Power plug ECO W Hitch (12P, 6P)	1042243	1	Cable gland torque: 6Nm
51	Plug for 6P	8000620	1	QTY depends on config.
52	Plug for 12P	8002058	1	QTY depends on config.
63	Cable ePS ECO W ss9,ss10(SVAB)	1042246	1	Attach to Right 6P
	● Use cable ties			

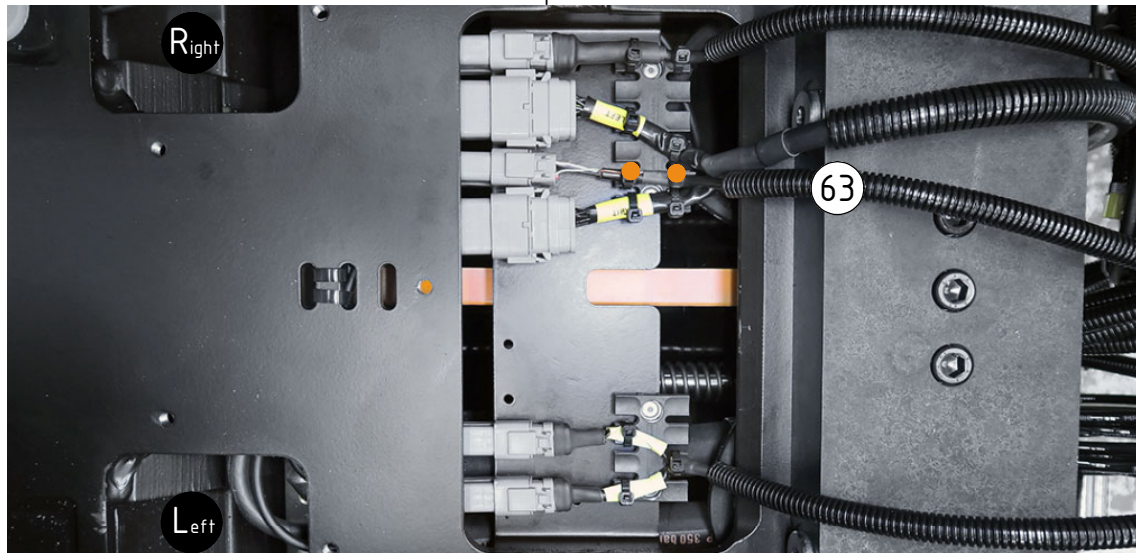


POS in order of assembly

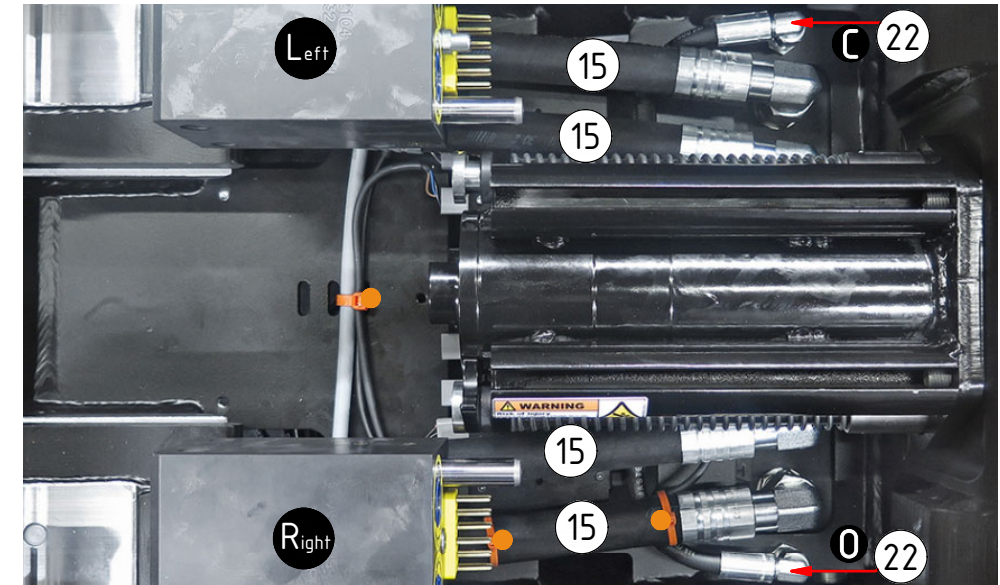
EC-Oil  
ss10 (SVAB)



Option ePS:



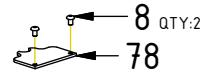
POS	DESCRIPTION	PART	QTY	COMMENTS
2	Cable QS -QLM- Machine hitch 4,5m	842149	1	Attach to QS sensors
3	Cable QS -QLM- Tilt rotator	842148	1	Attach to Left 6P
15	Hose ECO70 W connection block	7000499	2	(QTY: 4 for 2bl.)
22	Hose Lock	7000936	2	
25	Hose Lock 2 - Liebherr		2	For Liebherr, add this to POS.19
43	Hose kit - lubricant ECO W	7000514	1	(POS.44-46 incl.)
49	Machinecable ECO70W SVAB (2x 12P)	1029500	1	Attach to both 12P
50	Power plug ECO W Hitch (12P, 6P)	1042243	1	Cable gland torque: 6Nm
51	Plug for 6P	8000620	1	QTY depends on config.
52	Plug for 12P	8002058	1	QTY depends on config.
63	Cable ePS ECO W ss9,ss10(SVAB)	1042246	1	Attach to Right 6P
	● Use cable ties			



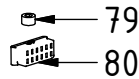
POS in order of assembly

## SPARE PARTS

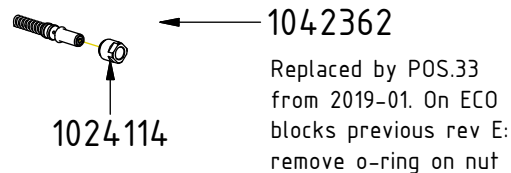
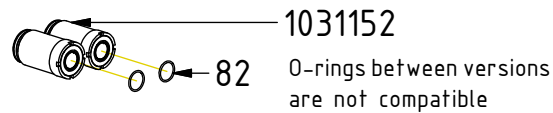
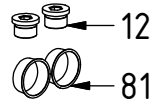
Until 2024-06:



w/o el.

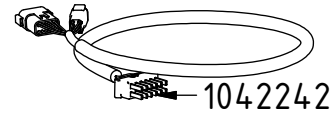


w/o hyd.



POS	DESCRIPTION	PART	QTY	COMMENTS
8	Screw K6S M5x8 10.9 FZB	611801	4	QTY depends on config.
12	Plug 70125-12 (3/4")	711532	2	QTY depends on config.
30	Coupling ECO W 3/4" V3	1050579	2	Torque: 60Nm. (POS.31 incl.)
31	Flat sealing for ECO 3/4" V3	1050580	2	
33	Lubrication kit ECO W V2	1050794	1	(POS.34-40 incl.)
42	Coverplate block ECO70 W Hitch	1074691	1	
47	Machine cable ECO70 W DC2	1048528	1	Attach to Left 12P
50	Power plug ECO W Hitch (12P, 6P)	1042243	1	Cable gland torque: 6Nm
66	Cover QS70 V2	1052640	1	
68	Cover QS70 w/o ECO	1052582	1	
78	Coverplate w/o slot ECO70 W	1041139	1	Used for block w/o cable slot
79	Pipe plug DIN 906 M16x1,5	711529	1	
80	Plug ECO W - Hitch	1041814	1	
81	Protection plug ECO70 hydraulic	7000156	2	
82	O-ring 21.95x1.78 PU/90	1024735	2	Used until 2020-03 Separate seal kit: 7000047
83	Large Cover QS70 w/o ECO	1040065	1	Replaced by POS.66 & POS.68 between 2019-04 - 2019-10
84	Cable ECO Tiltangle sensor DC2 ePS	8002477	1	Attach to 6P (DC2 ePS1) NB! Only compatible with 8002459
85	Cable ECO W Tiltanglesensor ss9-2	1047113	1	Attach to Right 12P
86	Cable ECO W Tiltanglesensor SVAB	1047111	1	L.Bl: WH>11. R.Bl: BR>1, BL>2, GR>11
87	Machine cable ECO70 W DC2 two connectors	1042248	1	Replaced by POS.47 from 2018-08 Attach to 6P and 12P
88	Machine cable ECO70 W MACS	1043276	1	Attach to 12P

Replaced by POS.50 from 2019-01



ePS1:

