

Hitch ECO70 W

COVERSHEET

Planned document changes:

Briefly:

No planned changes.

Document changes:

Date:

Change:

Rev.

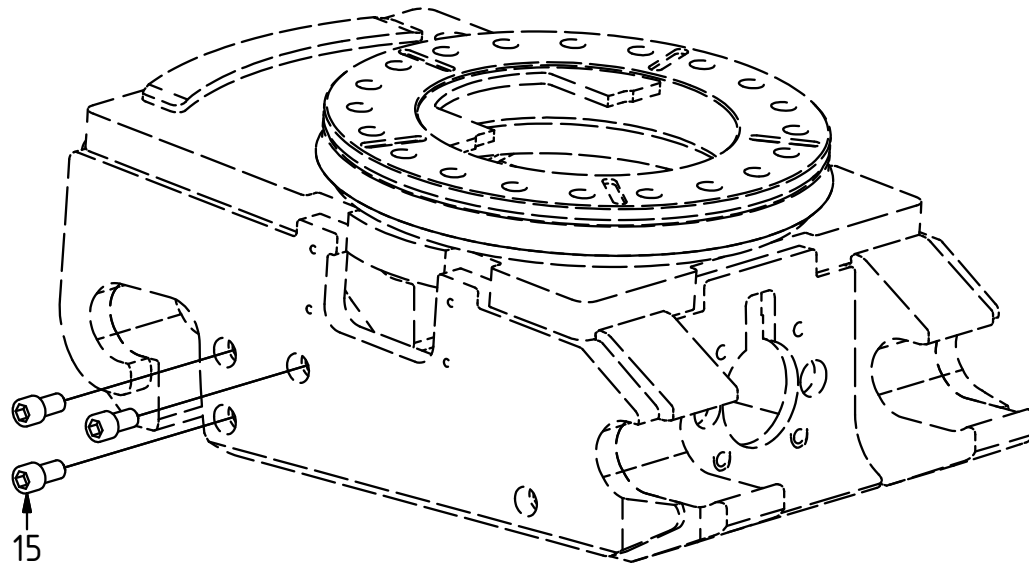
after change:

2018-02-04

New instruction.

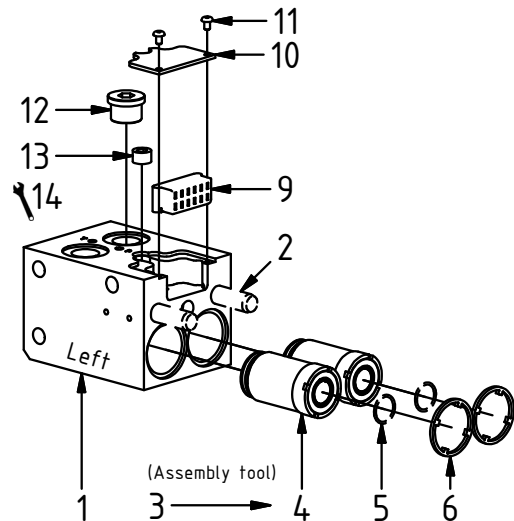
-

QS70/80:
Left block (Std)

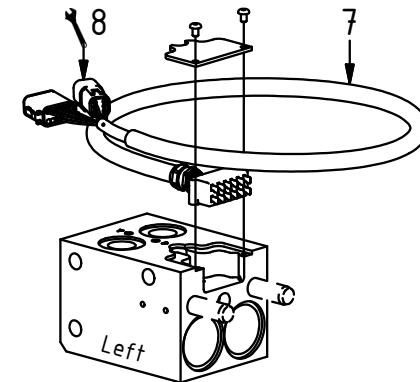


POS	DESCRIPTION	PART	QTY	COMMENTS
1	Block ECO70 W - Quick Hitch	1042478	1	(POS.2 included)
2	Cylindrical pin CPK \varnothing 16x100	650221	2	
3	Tool - Coupling ECO70 female	1015733	1	
4	Coupling ECO70 3/4" female	1031152	2	Torque 60Nm. (POS.5 included)
5	O-ring 21.95x1.78	1024735	2	Seperate seal kit: 7000047
6	Dirt protection ECO 3/4"	1028275	2	
7	Power plug ECO70 W DTM	1042242	1	
8	6P, connect to slip ring		1	See "Slip rings" (additional cables)
9	Plug ECO W - Hitch	1041814	1	
10	Coverplate	1041139	1	
11	Screw K6S 5x8	611801	2	
12	Plug 3/4"	711532	1	For 2Bl. HF
13	Pipe plug DIN 906 16x1,5	711529	1	
14	Adapters according to Quick Hitch			See "Quick Hitch"
15	Screw MC6S 16x30	610518	6	

POS in order of assembly

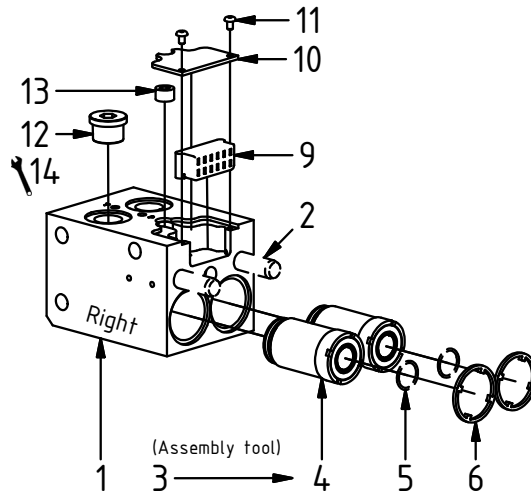
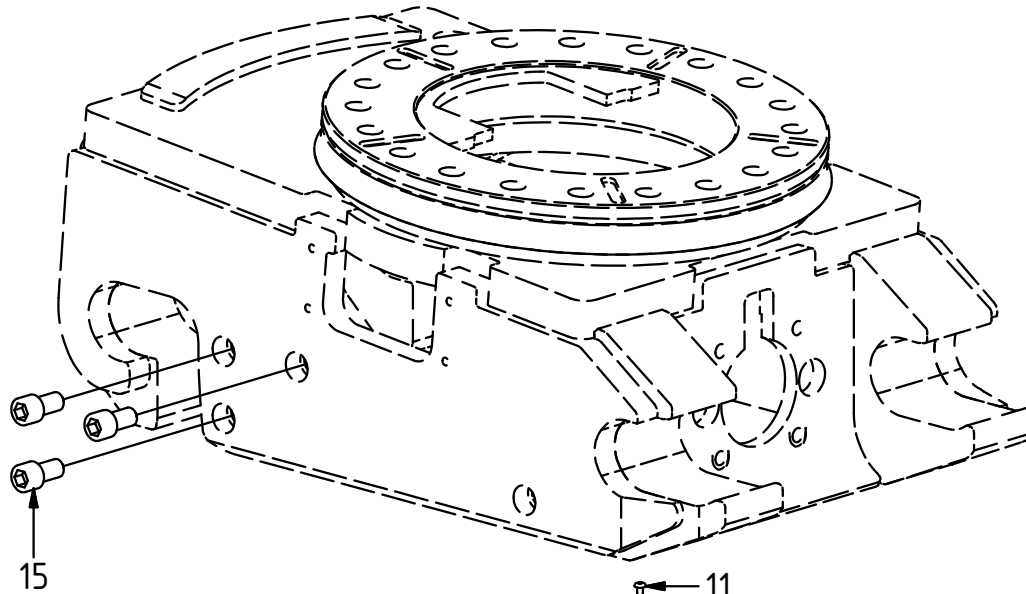


Option 1 el.



Hitch ECO70 W

QS70/80:
Right block



POS	DESCRIPTION	PART	QTY	COMMENTS
1	Block ECO70 W - Quick Hitch	1042478	1	(POS.2 included)
2	Cylindrical pin CPK \varnothing 16x100	650221	2	
3	Tool - Coupling ECO70 female	1015733	1	
4	Coupling ECO70 3/4" female	1031152	2	Torque 60Nm. (POS.5 included)
5	O-ring 21.95x1.78	1024735	2	Seperate seal kit: 7000047
6	Dirt protection ECO 3/4"	1028275	2	
9	Plug ECO W - Hitch	1041814	1	
10	Coverplate	1041139	1	
11	Screw K6S 5x8	611801	2	
12	Plug 3/4"	711532	1	For 2Bl. HF
13	Pipe plug DIN 906 16x1,5	711529	1	
14	Adapters according to Quick Hitch			See "Quick Hitch"
15	Screw MC6S 16x30	610518	6	

POS in order of assembly