

Hitch ECO60 W

COVERSHEET

Planned document changes:

Briefly:

No planned changes.

Document changes:

Date:	Change:	Rev. after change:
2024-07-01	Screws updated.	E
2022-06-13	Screws updated.	D
2020-03-26	Couplings replaced. Spare parts added.	C
2019-08-16	QSM blocks updated.	B
2019-01-10	QSM added.	A
2018-02-14	New document.	-

Readers note:

Indicates instruction.



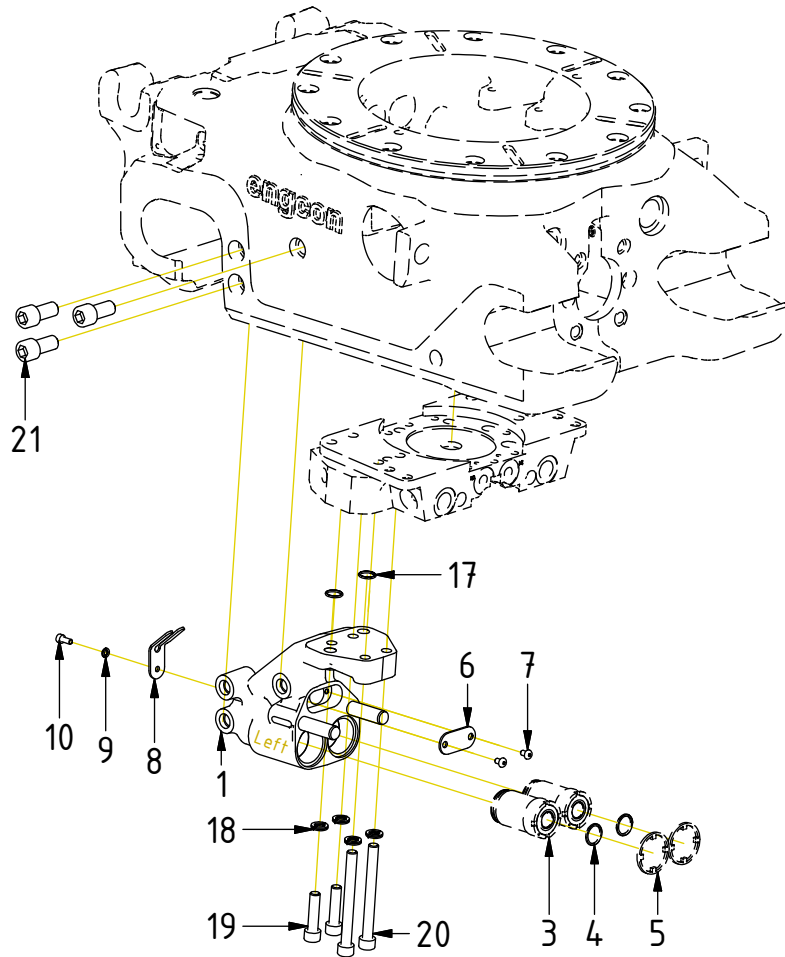
Represents Hose.

Dashed lines for overview, mounts
on other pages/assemblies.

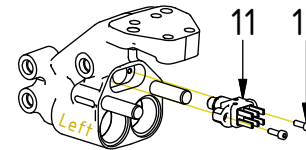
QSM60

POS	DESCRIPTION	PART	QTY	COMMENTS
1	Block ECO60W QSM 2hy. Left Compl.	1055736	1	(POS.2-3, 5 incl.)
2	Block ECO60 W Hitch QSM Left	1051128	1	
3	Coupling ECO W 1/2" V3	1054580	2	Torque: 60Nm. (POS.4 incl.)
4	Flat sealing for ECO W 1/2" V3	1050018	2	
5	Dirt protection Block ECO 1/2"	1028229	2	
6	Cover plate	1049191	1	
7	Screw K6S M5x8 10.9 FZB	611801	2	
8	Cover plate cable ECO60 W QSM	1051584	1	
9	Washer NL 5mm	611038	1	
10	Screw MC6S M5x12 12.9	6000077	1	
11	Power Plug ECO60 W QSM	1050792	1	Connect to slip ring QSM
12	Screw MC6S M5x16 12.9	610401	2	Loxal 55-02
13	Block ECO60W QSM 3hy. Right Compl.	1055737	1	(POS.3, 5, 14, 16 incl.)
14	Coupling ECO W 3/8" V3	1053029	1	Torque: 60Nm. (POS.15 incl.)
15	Flat sealing for ECO W 3/8" V3	1052976	1	
16	Dirt protection ECO 3/8"	1028274	1	
17	O-ring 14x1,78	710975	2	QTY: 3 on right block
18	Washer NL 10mm	611041	4	
19	Screw MC6S M10x40 12.9 ZFSL	612020	2	Torque: 79Nm
20	Screw MC6S M10x100 12.9	610466	2	Torque: 79Nm
21	Screw MC6S M14x30 12.9 ZFSL	6000197	3	Loxal 83-52

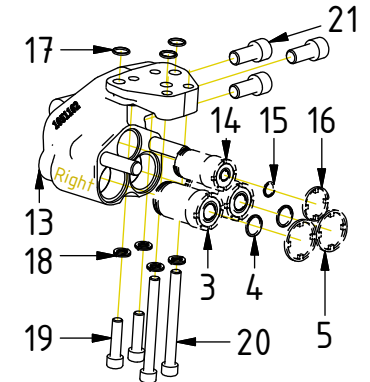
POS in order of assembly



Option 1 el:



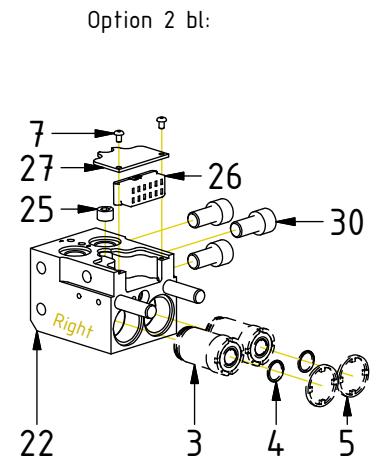
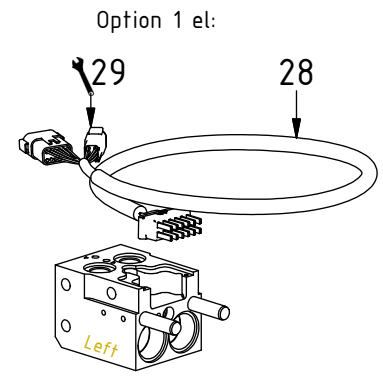
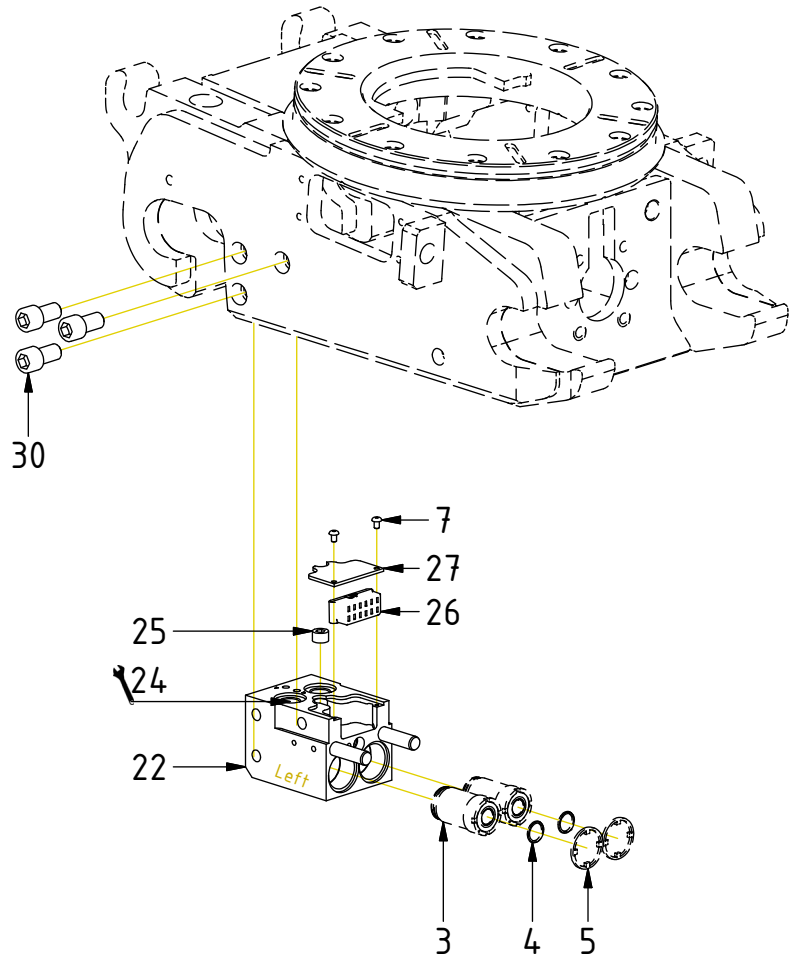
Option 2 bl:



QS60

POS	DESCRIPTION	PART	QTY	COMMENTS
3	Coupling ECO W 1/2" V3	1054580	2	Torque: 60Nm. (POS.4 incl.)
4	Flat sealing for ECO W 1/2" V3	1050018	2	
5	Dirt protection Block ECO 1/2"	1028229	2	
7	Screw K6S M5x8 10.9 FZB	611801	2	
22	Block ECO60 W 2hy. Complete	1055716	1	(POS.3, 5, 23 incl.)
23	Block ECO60 W Hitch	1042480	1	
24	Adapters according to Quick hitch			See "Quick hitch"
25	Pipe plug DIN 906 M16x1,5	711529	1	
26	Plug ECO W - Hitch	1041814	1	
27	Coverplate block ECO60/70 W Hitch	1041139	1	
28	Power plug ECO W DTM	1042243	1	Cable gland torque: 6Nm
29	6P, connect to slip ring			See "Slip rings" (additional cables)
30	Screw MC6S M16x30 12.9 ZFSHL	6000201	3	Loxal 83-52

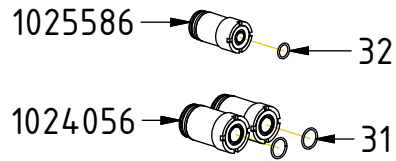
POS in order of assembly



SPARE PARTS

POS	DESCRIPTION	PART	QTY	COMMENTS
3	Coupling ECO W 1/2" V3	1054580	2	Torque: 60Nm. (POS.4 incl.)
4	Flat sealing for ECO W 1/2" V3	1050018	2	
14	Coupling ECO W 3/8" V3	1053029	1	Torque: 60Nm. (POS.15 incl.)
15	Flat sealing for ECO W 3/8" V3	1052976	1	
31	O-ring 17.17x1.78	710913	2	Used until 2020-03 Seperate seal kit: 7000046
32	O-ring 12,42x1,78	712417	1	Used until 2020-03 Seperate seal kit: 7000045

POS in order of assembly



O-rings between versions
are not compatible