

COVERSHEET

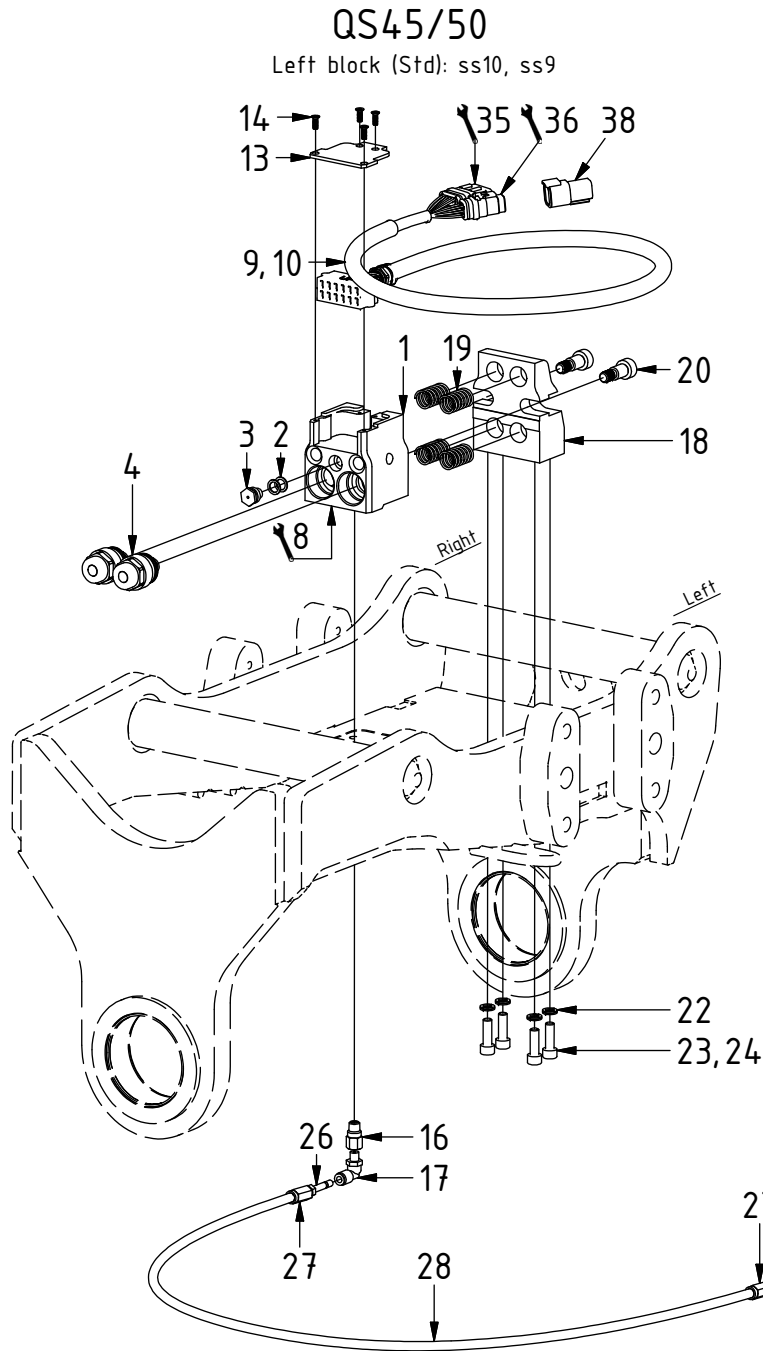
Planned document changes:

Briefly:

No planned changes.

Document changes:

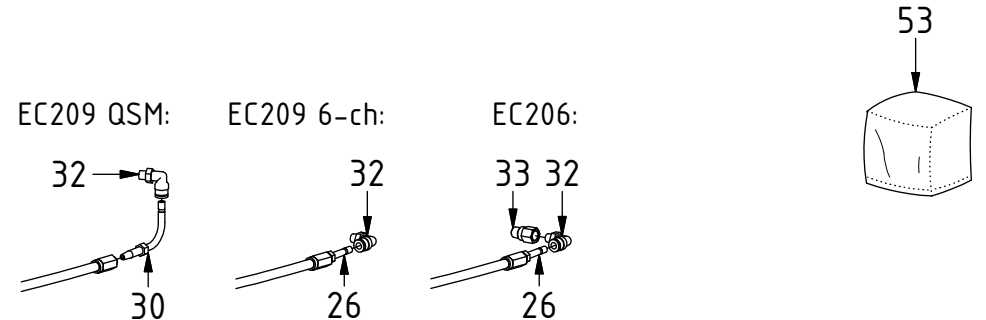
Date:	Change:	Rev. after change:
2021-09-29	c.l lengths and adapters updated. Power plugs updated.	I
2021-01-28	Transport Protection added.	H
2019-10-28	Adapters for Top bracket QS50 updated.	G
2019-10-04	Adapters for Top bracket updated.	F
2019-03-22	Torque for left block details added.	E
2018-12-17	Plugs for Top brackets added.	D
2018-11-09	Comments corrected.	C
2018-07-11	Adapters for Top brackets & extension for grease coupling added.	B
2018-06-21	Layout/irrelevant.	A
2018-04-11	New instruction.	-



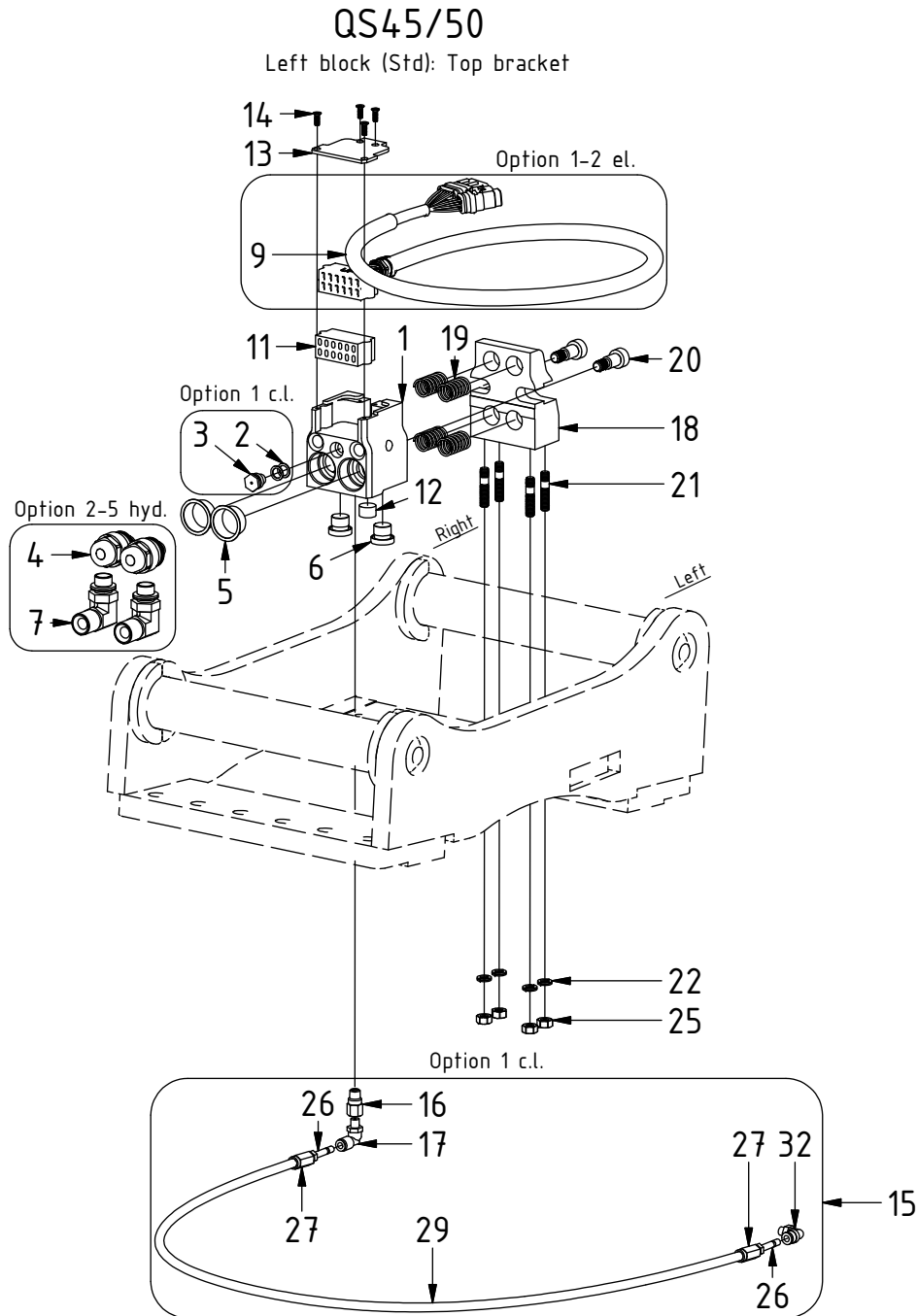
POS	DESCRIPTION	PART	QTY	COMMENTS
1	Block ECO45/50 W Top	1041989	1	
2	Washer - Copper 14x10	6000065	2	
3	Button head fitting 1/8" stainless	810505	1	Loctite 5400. Torque: 30Nm
4	Coupling ECO45/50 3/8" male	1028873	2	Torque: 60Nm
8	Adapters according to Top part			See "Top part"
9	Power Plug ECO W	1042241	1	For EC206, EC209 6-ch, Topbracket
10	Power Plug ECO W - ECHF, QSM	8001089	1	For EC214, EC209 QSM
13	Coverplate ECO45 W Top	1041099	1	
14	Screw MKFT 4x12	6000121	4	
16	Extender M8x1-M8x1 18mm	7000688	1	Loctite 5400
17	Push-in swivel 90° M8x1	790173	1	Loctite 5400
18	Attachment block ECO45 W Top	1041097	1	
19	Spring 18x35	1024794	4	
20	Shoulder bolt ø12x16/M10	611708	2	Loctite 2700
22	Washer NL 8mm	611040	4	
23	MC6S M8x25 12.9 ZFSL	6000143	4	
24	K6S 8x25 10.9 untreated	611814	4	For EC209 6-ch
26	Pipe stub straight Push-in	790175	1	
27	Screw socket HT-hose	7000585	2	
28	Grease hose bulk 100m	7001303	1	Cut to length: 385mm for EC206, 750mm for EC209 6-ch, 845mm for EC209 QSM, 1075mm for EC214
30	Pipe stub 90° Push-in	7000318	1	
31	Push-in R1/8"	790172	1	Loctite 5400
32	Adapter 90° Push-in - R1/8"	790184	1	Loctite 5400
33	Extender 25/17mm KR1/8"-R1/8"	7000578	1	Loctite 5400
35	12P, connect to adapter cable			See "Control system" (cables)
36	6P, connect to Q-Safe connector (DC2: plug or connect to ePS cable)			See "Control system" (cables)
38	Protection plug 6P	8000090	1	When 6P is not used
53	Transport Protection Block	1035199	1	

POS in order of assembly

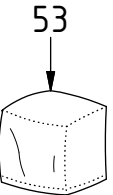
Dashed lines for overview, mounts on other pages/assemblies. ↘ indicates instruction. 🌀 represents hose.



Top ECO45/50 W

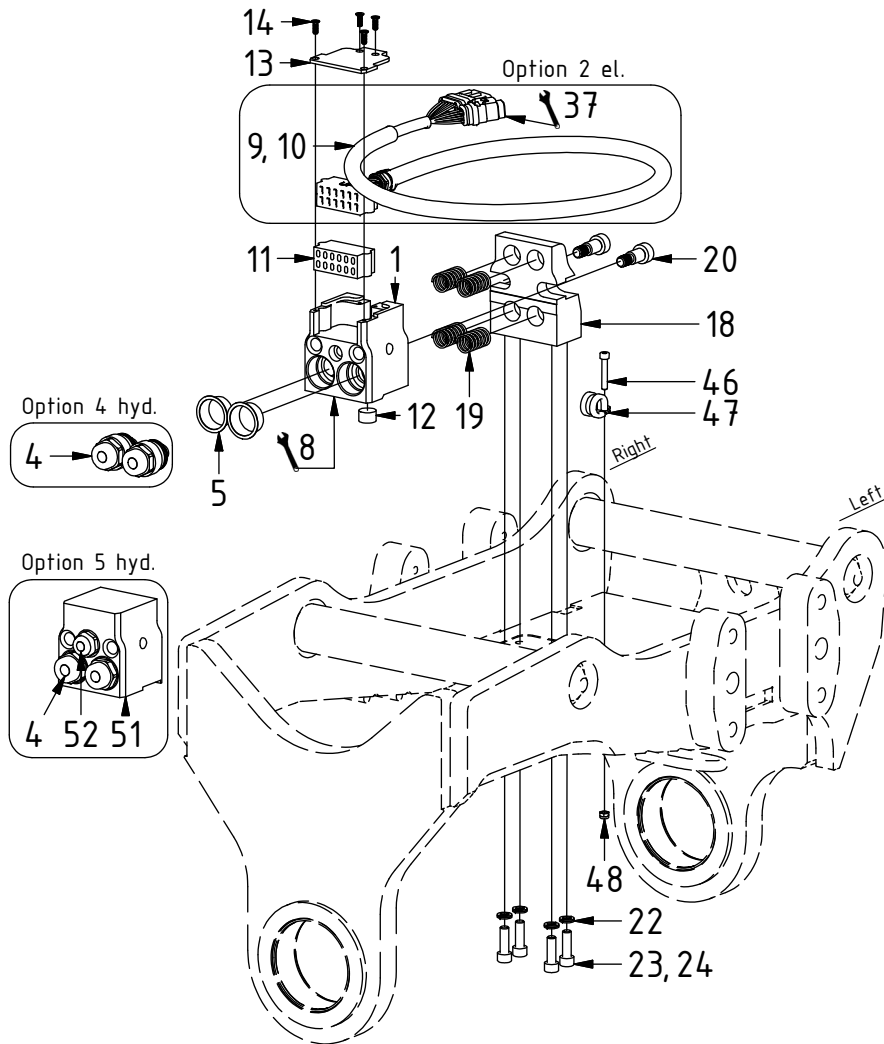


POS	DESCRIPTION	PART	QTY	COMMENTS
1	Block ECO45/50 W Top	1041989	1	
2	Washer - Copper 14x10	6000065	2	
3	Button head fitting 1/8" stainless	810505	1	Loctite 5400. Torque: 30Nm
4	Coupling ECO45/50 3/8" male	1028873	2	Torque: 60Nm
5	Protection plug ECO45/50 Top	7000152	2	
6	Plug 70125-06 (3/8")	711504	2	Used with POS.5
7	Adapter 401-08-06 90° (1/2"-3/8")	7000233	2	
9	Power Plug ECO W	1042241	1	For EC206, EC209 6-ch, Topbracket
11	Plug ECO W Top	1042918	1	
12	Pipe plug DIN 906 M16x1,5	711529	1	Used with POS.11
13	Coverplate ECO45 W Top	1041099	1	
14	Screw MKFT 4x12	6000121	4	
15	Hose kit - ECO45/50 - Topbracket	7000666	1	(POS.16-17, 26-27, 29, 32 included)
16	Extender M8x1-M8x1 18mm	7000688	1	Loctite 5400
17	Push-in swivel 90° M8x1	790173	1	Loctite 5400
18	Attachment block ECO45 W Top	1041097	1	
19	Spring 18x35	1024794	4	
20	Shoulder bolt \varnothing 12x16/M10	611708	2	Loctite 2700
21	Stud bolt 8x30	611185	4	Loctite 2700
22	Washer NL 8mm	611040	4	
25	Nut steel M8	611187	4	
26	Pipe stub straight Push-in	790175	1	
27	Screw socket HT-hose	7000585	2	
29	Grease hose HT 8,6x4 CL900mm	7000665	1	
32	Adapter 90° Push-in - R1/8"	790184	1	Loctite 5400
53	Transport Protection Block	1035199	1	



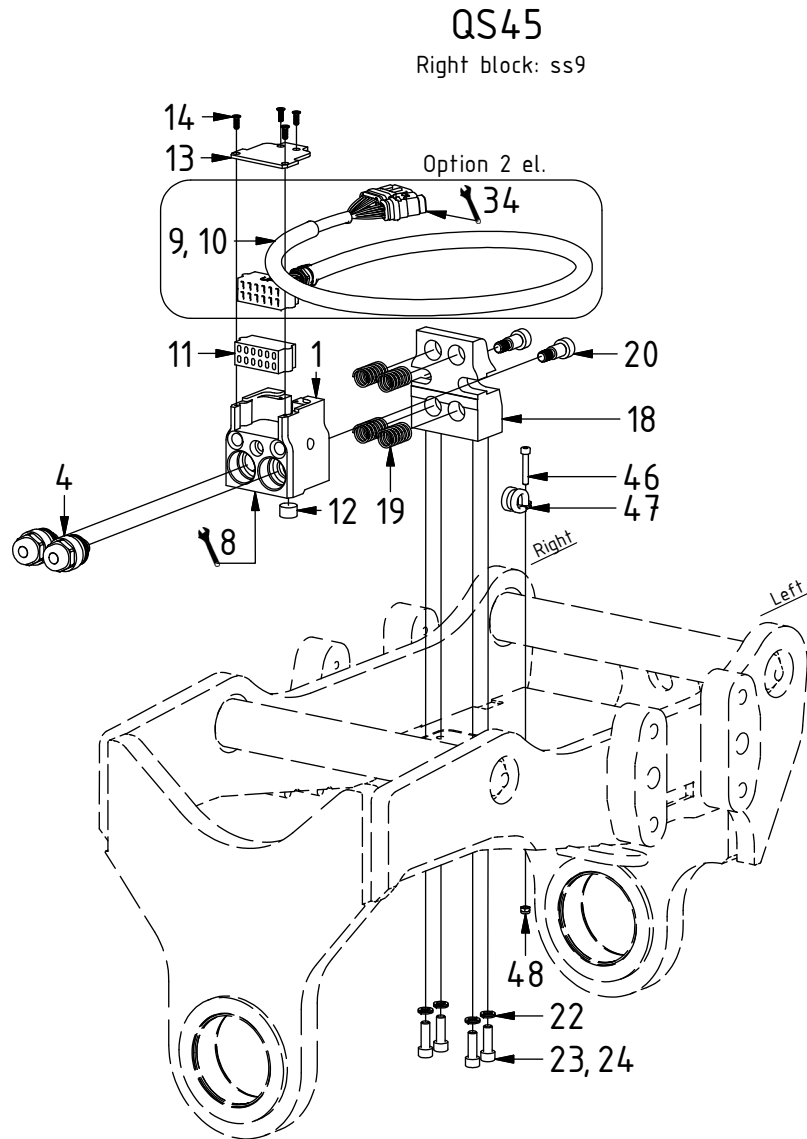
QS45

Right block: DC2/MACS Options 2Bl.



POS	DESCRIPTION	PART	QTY	COMMENTS
1	Block ECO45/50 W Top	1041989	1	
4	Coupling ECO45/50 3/8" male	1028873	2	Torque: 60Nm
5	Protection plug ECO45/50 Top	7000152	2	
8	Adapters according to Top part			See "Top part"
9	Power Plug ECO W	1042241	1	For EC206, EC209 6-ch, Topbracket
10	Power Plug ECO W - ECHF, QSM	8001089	1	For EC214, EC209 QSM
11	Plug ECO W Top	1042918	1	
12	Pipe plug DIN 906 M16x1,5	711529	1	Used with POS.11
13	Coverplate ECO45 W Top	1041099	1	
14	Screw MKFT 4x12	6000121	4	
18	Attachment block ECO45 W Top	1041097	1	
19	Spring 18x35	1024794	4	
20	Shoulder bolt \varnothing 12x16/M10	611708	2	Loctite 2700
22	Washer NL 8mm	611040	4	
23	MC6S M8x25 12.9 ZFSL	6000143	4	
24	K6S 8x25 10.9 untreated	611814	4	For EC209 6-ch
37	6P, connect to slip ring when "1 el." on EC-Hitch			See "Slip rings" (additional cables)
46	MC6S M5x30 12.9	610403	1	For ss10(SVAB) & Option 2 el.
47	Rubber steel clamp \varnothing 16	6000009	1	For ss10(SVAB) & Option 2 el.
48	Hex Nut M5 Lock	610920	1	For ss10(SVAB) & Option 2 el.
51	Block ECO45/50 W 3-hyd Top	1054411	1	
52	Coupling ECO 1/4" male	1053693	1	

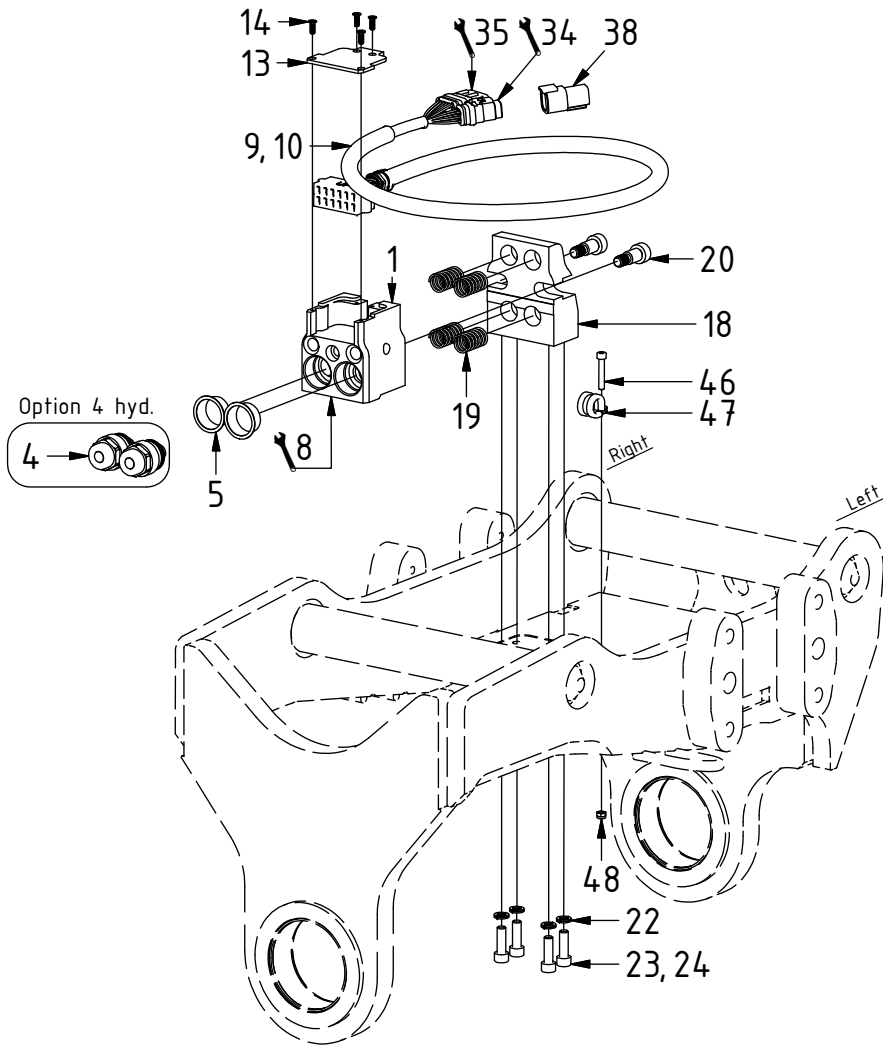
POS in order of assembly



POS	DESCRIPTION	PART	QTY	COMMENTS
1	Block ECO45/50 W Top	1041989	1	
4	Coupling ECO45/50 3/8" male	1028873	2	Torque: 60Nm
8	Adapters according to Top part			See "Top part"
9	Power Plug ECO W	1042241	1	For EC206, EC209 6-ch, Topbracket
10	Power Plug ECO W - ECHF, QSM	8001089	1	For EC214, EC209 QSM
11	Plug ECO W Top	1042918	1	
12	Pipe plug DIN 906 M16x1,5	711529	1	Used with POS.11
13	Coverplate ECO45 W Top	1041099	1	
14	Screw MKFT 4x12	6000121	4	
18	Attachment block ECO45 W Top	1041097	1	
19	Spring 18x35	1024794	4	
20	Shoulder bolt \varnothing 12x16/M10	611708	2	Loctite 2700
22	Washer NL 8mm	611040	4	
23	MC6S M8x25 12.9 ZFSHL	6000143	4	
24	K6S 8x25 10.9 untreated	611814	4	For EC209 6-ch
34	6P, for ePS connect to ePS-cable			See "Control system" (cables)
46	MC6S M5x30 12.9	610403	1	For ss10(SVAB) & Option 2 el.
47	Rubber steel clamp \varnothing 16	6000009	1	For ss10(SVAB) & Option 2 el.
48	Hex Nut M5 Lock	610920	1	For ss10(SVAB) & Option 2 el.

QS45

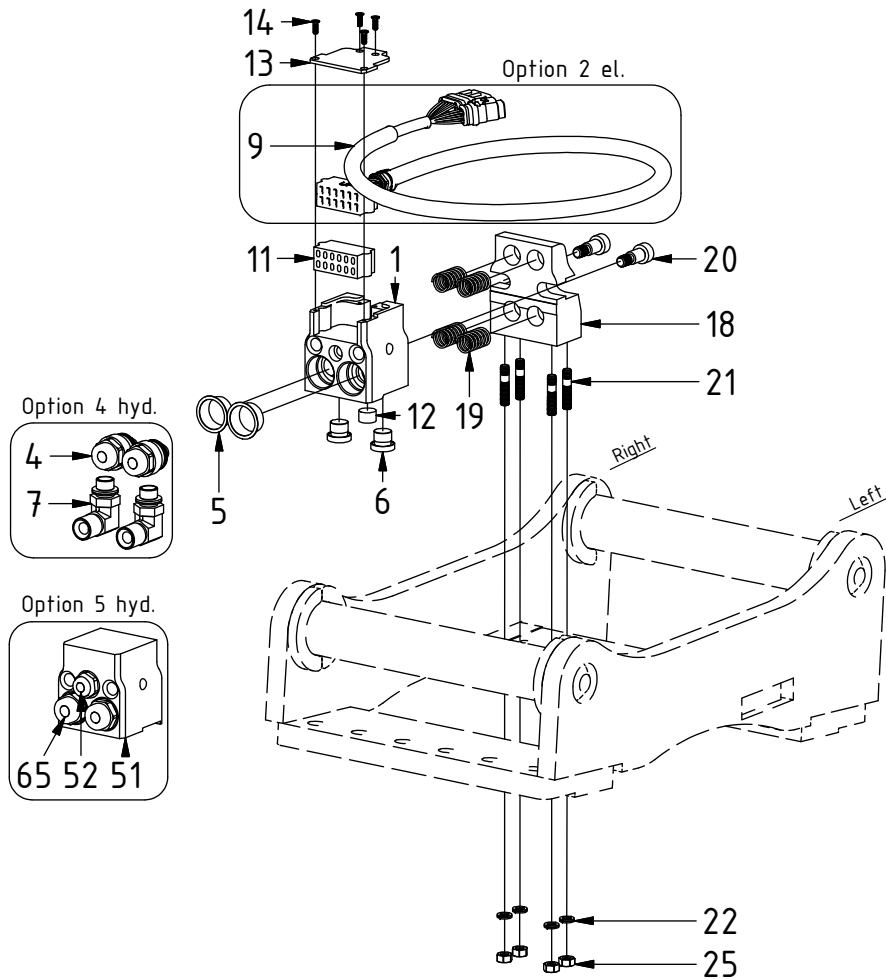
Right block: ss10 (SVAB)



POS	DESCRIPTION	PART	QTY	COMMENTS
1	Block ECO45/50 W Top	1041989	1	
4	Coupling ECO45/50 3/8" male	1028873	2	Torque: 60Nm
5	Protection plug ECO45/50 Top	7000152	2	
8	Adapters according to Top part			See "Top part"
9	Power Plug ECO W	1042241	1	For EC206, EC209 6-ch, Topbracket
10	Power Plug ECO W - ECHF, QSM	8001089	1	For EC214, EC209 QSM
13	Coverplate ECO45 W Top	1041099	1	
14	Screw MKFT 4x12	6000121	4	
18	Attachment block ECO45 W Top	1041097	1	
19	Spring 18x35	1024794	4	
20	Shoulder bolt \varnothing 12x16/M10	611708	2	Loctite 2700
22	Washer NL 8mm	611040	4	
23	MC6S M8x25 12.9 ZFSL	6000143	4	
24	K6S 8x25 10.9 untreated	611814	4	For EC209 6-ch
34	6P, for ePS connect to ePS-cable			See "Control system" (cables)
35	12P, connect to adapter cable			See "Control system" (cables)
38	Protection plug 6P	8000090	1	When 6P is not used
46	MC6S M5x30 12.9	610403	1	For ss10(SVAB) & Option 2 el.
47	Rubber steel clamp \varnothing 16	6000009	1	For ss10(SVAB) & Option 2 el.
48	Hex Nut M5 Lock	610920	1	For ss10(SVAB) & Option 2 el.

QS45

Right block: Top bracket Option 2Bl.

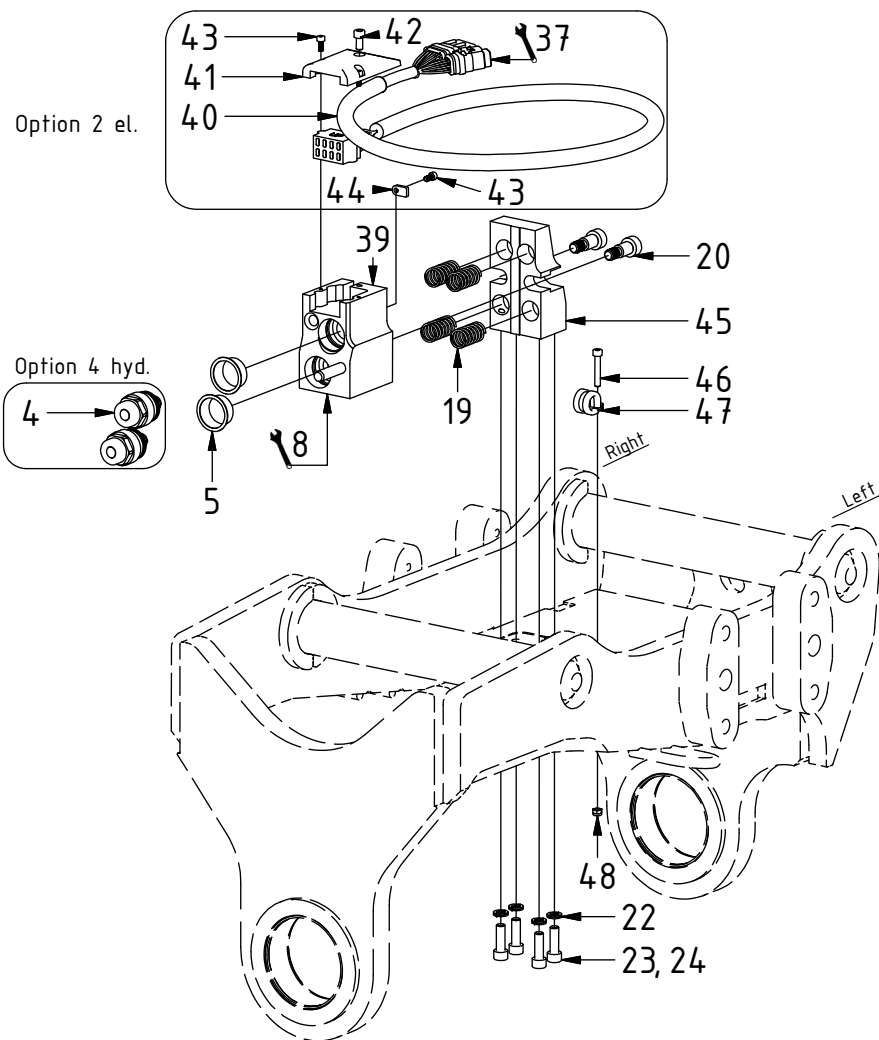


POS	DESCRIPTION	PART	QTY	COMMENTS
1	Block ECO45/50 W Top	1041989	1	
4	Coupling ECO45/50 3/8" male	1028873	2	Torque: 60Nm
5	Protection plug ECO45/50 Top	7000152	2	
6	Plug 70125-06 (3/8")	711504	2	Used with POS.5
7	Adapter 401-08-06 90° (1/2"-3/8")	7000233	2	
9	Power Plug ECO W	1042241	1	For EC206, EC209 6-ch, Topbracket
11	Plug ECO W Top	1042918	1	
12	Pipe plug DIN 906 M16x1,5	711529	1	Used with POS.11
13	Coverplate ECO45 W Top	1041099	1	
14	Screw MKFT 4x12	6000121	4	
18	Attachment block ECO45 W Top	1041097	1	
19	Spring 18x35	1024794	4	
20	Shoulder bolt \varnothing 12x16/M10	611708	2	Loctite 2700
21	Stud bolt 8x30	611185	4	Loctite 2700
22	Washer NL 8mm	611040	4	
25	Nut steel M8	611187	4	
46	MC6S M5x30 12.9	610403	1	For ss10(SVAB) & Option 2 el.
51	Block ECO45/50 W 3-hyd Top	1054411	1	
52	Coupling ECO 1/4" male	1053693	1	

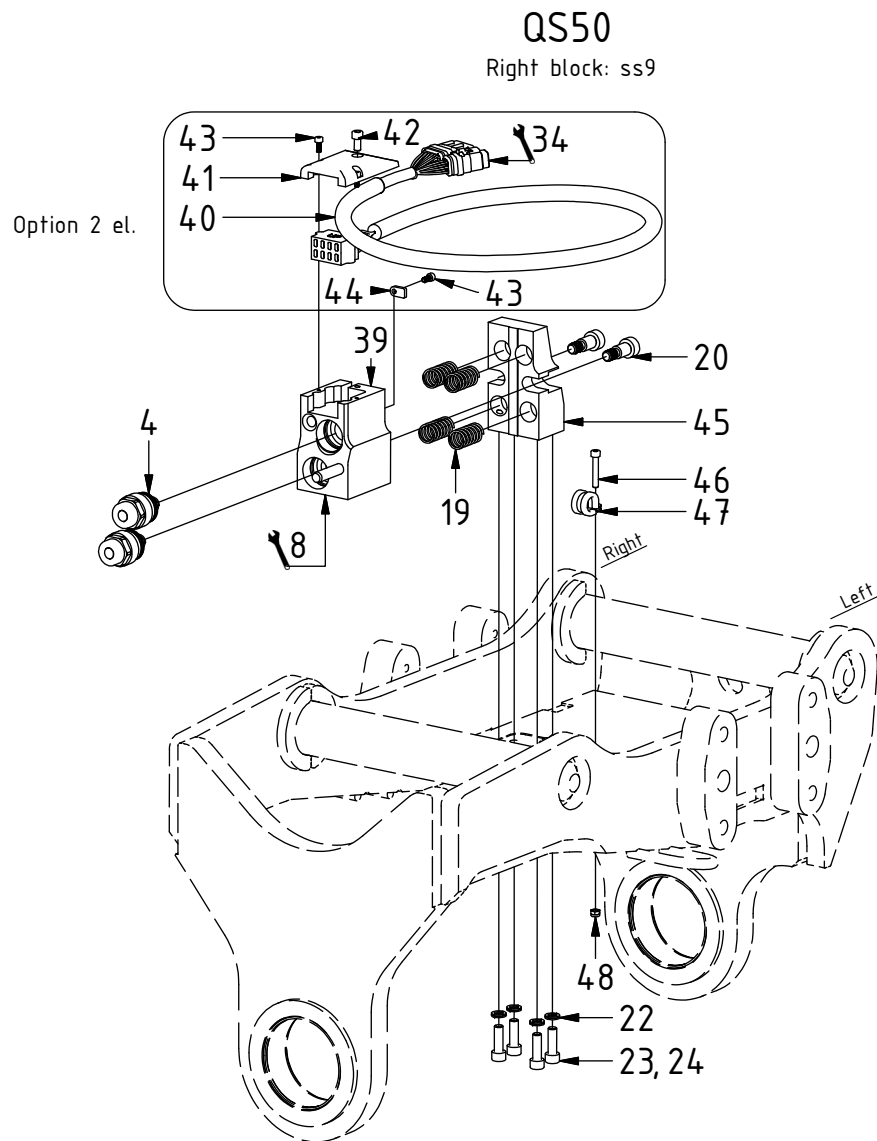
POS in order of assembly

QS50

Right block: DC2/MACS Options 2Bl.



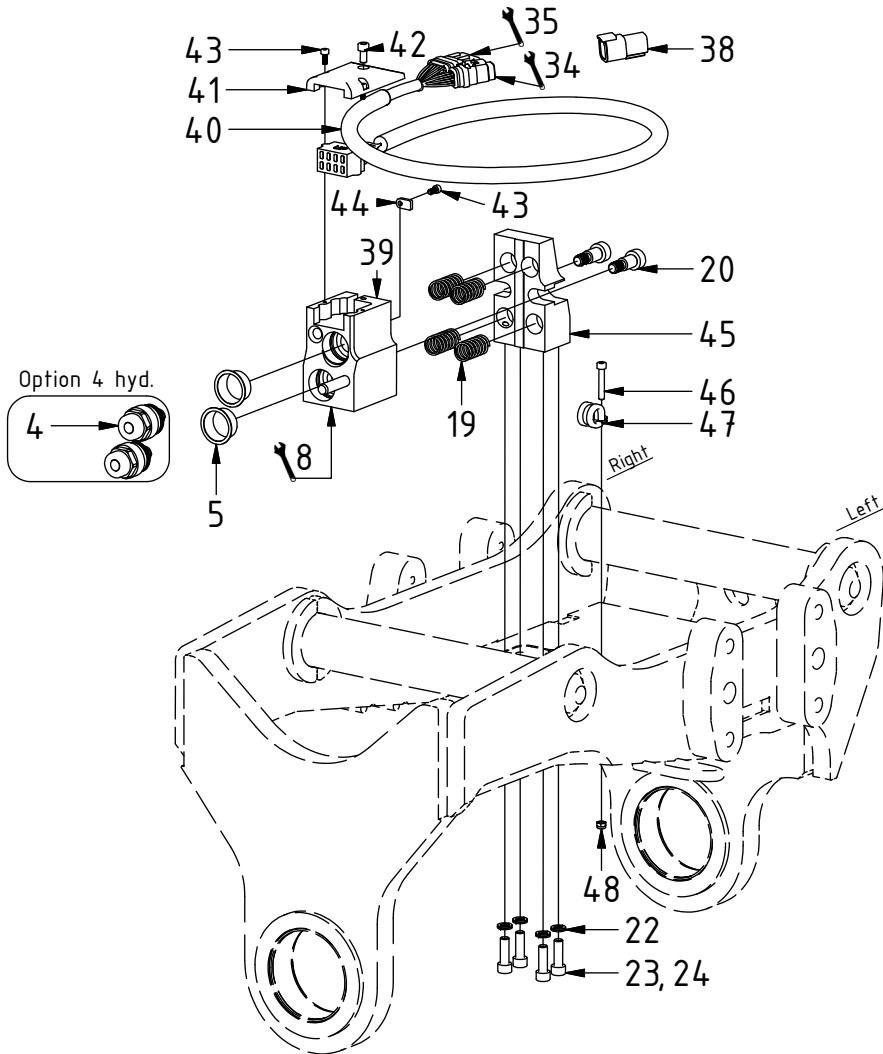
POS	DESCRIPTION	PART	QTY	COMMENTS
4	Coupling ECO45/50 3/8" male	1028873	2	Torque: 60Nm
5	Protection plug ECO45/50 Top	7000152	2	
8	Adapters according to Top part			See "Top part"
19	Spring 18x35	1024794	4	
20	Shoulder bolt \varnothing 12x16/M10	611708	2	Loctite 2700
22	Washer NL 8mm	611040	4	
23	MC6S M8x25 12.9 ZFSL	6000143	4	
24	K6S 8x25 10.9 untreated	611814	4	For EC209 6-ch
37	6P, connect to slip ring when "1 el." on EC-Hitch			See "Slip rings" (additional cables)
39	Block ECO50 W Top	1046074	1	
40	Power Plug ECO50 W Top	1045168	1	
41	Coverplate ECO50 W Top	1041646	1	
42	Screw MC6S M6x12	610412	1	Loctite 2400
43	Screw MC6S M4x10	610523	3	Loctite 2400
44	Clamping washer	1045180	1	
45	Attachment block ECO50 W Top	1041645	1	
46	MC6S M5x30 12.9	610403	1	For ss10(SVAB) & Option 2 el.
47	Rubber steel clamp \varnothing 16	6000009	1	For ss10(SVAB) & Option 2 el.
48	Hex Nut M5 Lock	610920	1	For ss10(SVAB) & Option 2 el.



POS	DESCRIPTION	PART	QTY	COMMENTS
4	Coupling ECO45/50 3/8" male	1028873	2	Torque: 60Nm
8	Adapters according to Top part		2	See "Top part"
19	Spring 18x35	1024794	4	
20	Shoulder bolt \varnothing 12x16/M10	611708	2	Loctite 2700
22	Washer NL 8mm	611040	4	
23	MC6S M8x25 12.9 ZFSL	6000143	4	
24	K6S 8x25 10.9 untreated	611814	4	For EC209 6-ch
34	6P, for ePS connect to ePS-cable			See "Control system" (cables)
39	Block ECO50 W Top	1046074	1	
40	Power Plug ECO50 W Top	1045168	1	
41	Coverplate ECO50 W Top	1041646	1	
42	Screw MC6S M6x12	610412	1	Loctite 2400
43	Screw MC6S M4x10	610523	3	Loctite 2400
44	Clamping washer	1045180	1	
45	Attachment block ECO50 W Top	1041645	1	
46	MC6S M5x30 12.9	610403	1	For ss10(SVAB) & Option 2 el.
47	Rubber steel clamp \varnothing 16	6000009	1	For ss10(SVAB) & Option 2 el.
48	Hex Nut M5 Lock	610920	1	For ss10(SVAB) & Option 2 el.

QS50

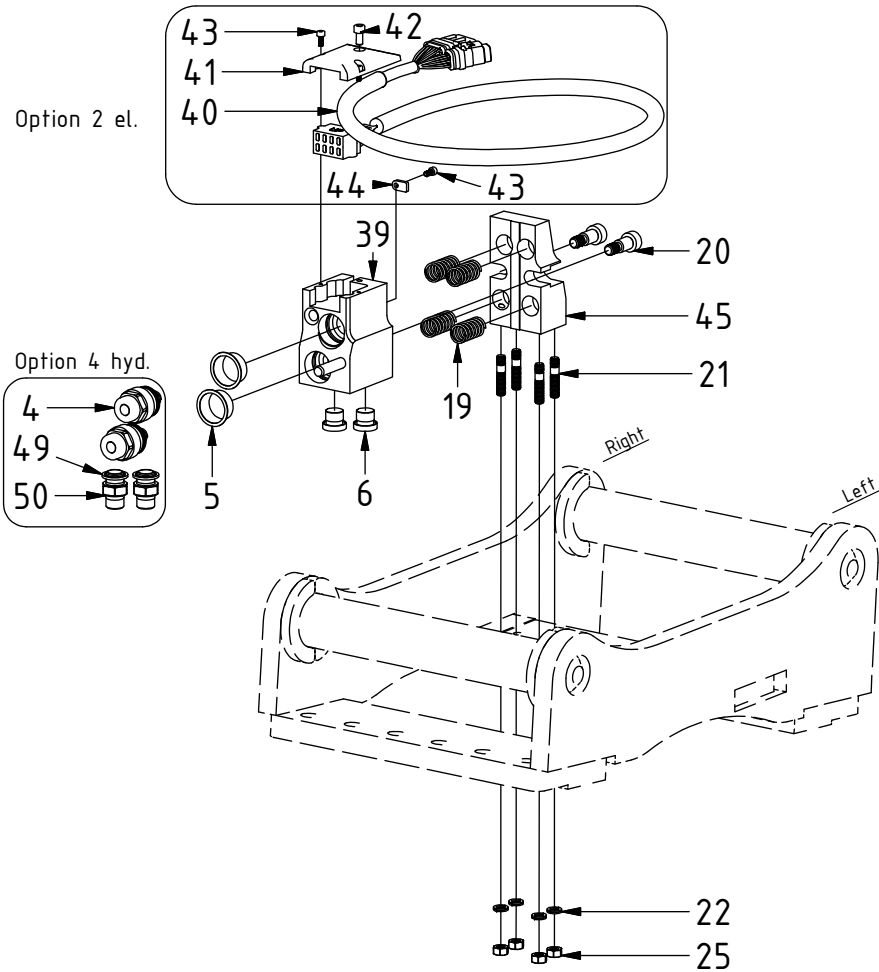
Right block: ss10 (SVAB)



POS	DESCRIPTION	PART	QTY	COMMENTS
4	Coupling ECO45/50 3/8" male	1028873	2	Torque: 60Nm
5	Protection plug ECO45/50 Top	7000152	2	
8	Adapters according to Top part			See "Top part"
19	Spring 18x35	1024794	4	
20	Shoulder bolt \varnothing 12x16/M10	611708	2	Loctite 2700
22	Washer NL 8mm	611040	4	
23	MC6S M8x25 12.9 ZFSL	6000143	4	
24	K6S 8x25 10.9 untreated	611814	4	For EC209 6-ch
34	6P, for ePS connect to ePS-cable			See "Control system" (cables)
35	12P, connect to adapter cable			See "Control system" (cables)
38	Protection plug 6P	8000090	1	When 6P is not used
39	Block ECO50 W Top	1046074	1	
40	Power Plug ECO50 W Top	1045168	1	
41	Coverplate ECO50 W Top	1041646	1	
42	Screw MC6S M6x12	610412	1	Loctite 2400
43	Screw MC6S M4x10	610523	3	Loctite 2400
44	Clamping washer	1045180	1	
45	Attachment block ECO50 W Top	1041645	1	
46	MC6S M5x30 12.9	610403	1	For ss10(SVAB) & Option 2 el.
47	Rubber steel clamp \varnothing 16	6000009	1	For ss10(SVAB) & Option 2 el.
48	Hex Nut M5 Lock	610920	1	For ss10(SVAB) & Option 2 el.

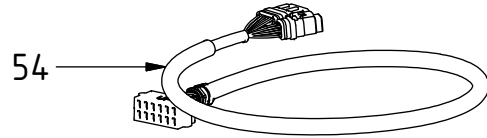
QS50

Right block: Top bracket Option 2Bl.



POS	DESCRIPTION	PART	QTY	COMMENTS
4	Coupling ECO45/50 3/8" male	1028873	2	Torque: 60Nm
5	Protection plug ECO45/50 Top	7000152	2	
6	Plug 70125-06 (3/8")	711504	2	Used with POS.5
19	Spring 18x35	1024794	4	
20	Shoulder bolt \varnothing 12x16/M10	611708	2	Loctite 2700
21	Stud bolt 8x30	611185	4	Loctite 2700
22	Washer NL 8mm	611040	4	
25	Nut steel M8	611187	4	
39	Block ECO50 W Top	1046074	1	
40	Power Plug ECO50 W Top	1045168	1	
41	Coverplate ECO50 W Top	1041646	1	
42	Screw MC6S M6x12	610412	1	Loctite 2400
43	Screw MC6S M4x10	610523	3	Loctite 2400
44	Clamping washer	1045180	1	
45	Attachment block ECO50 W Top	1041645	1	
46	MC6S M5x30 12.9	610403	1	For ss10(SVAB) & Option 2 el.
49	Washer GBR06 3/8	710703	2	
50	Adapter 136-06-06 (3/8")	710106	2	

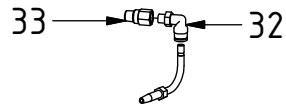
Related spare parts



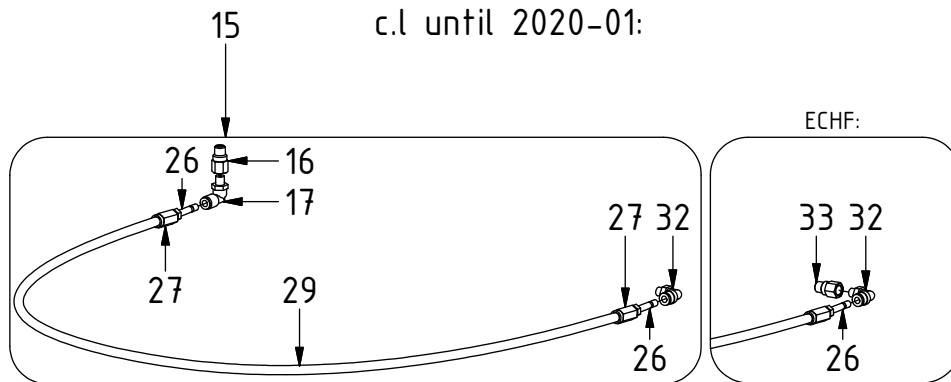
POS	DESCRIPTION	PART	QTY	COMMENTS
9	Power Plug ECO W	1042241	1	For EC206, EC209 6-ch, Topbracket
10	Power Plug ECO W - ECHF, QSM	8001089	1	For EC214, EC209 QSM
15	Hose kit - ECO45/50 - Topbracket	7000666	1	(POS.16-17, 26-27, 29, 32 included)
16	Extender M8x1-M8x1 18mm	7000688	1	Loctite 5400
17	Push-in swivel 90° M8x1	790173	1	Loctite 5400
26	Pipe stub straight Push-in	790175	1	
27	Screw socket HT-hose	7000585	2	
28	Grease hose bulk 100m	7001303	1	Cut to length: 385mm for EC206, 750mm for EC209 6-ch, 845mm for EC209 QSM, 1075mm for EC214
29	Grease hose HT 8,6x4 CL900mm	7000665	1	
30	Pipe stub 90° Push-in	7000318	1	
31	Push-in R1/8"	790172	1	Loctite 5400
32	Adapter 90° Push-in - R1/8"	790184	1	Loctite 5400
33	Extender 25/17mm KR1/8"-R1/8"	7000578	1	Loctite 5400
54	Powerplug ECOW-EC214,Topbracket	1042240	1	Used until 2021-08

POS in order of assembly

EC214 until 2021-01:



c.l. until 2020-01:



Still relevant for Top bracket