

## COVERSHEET

## Planned document changes:

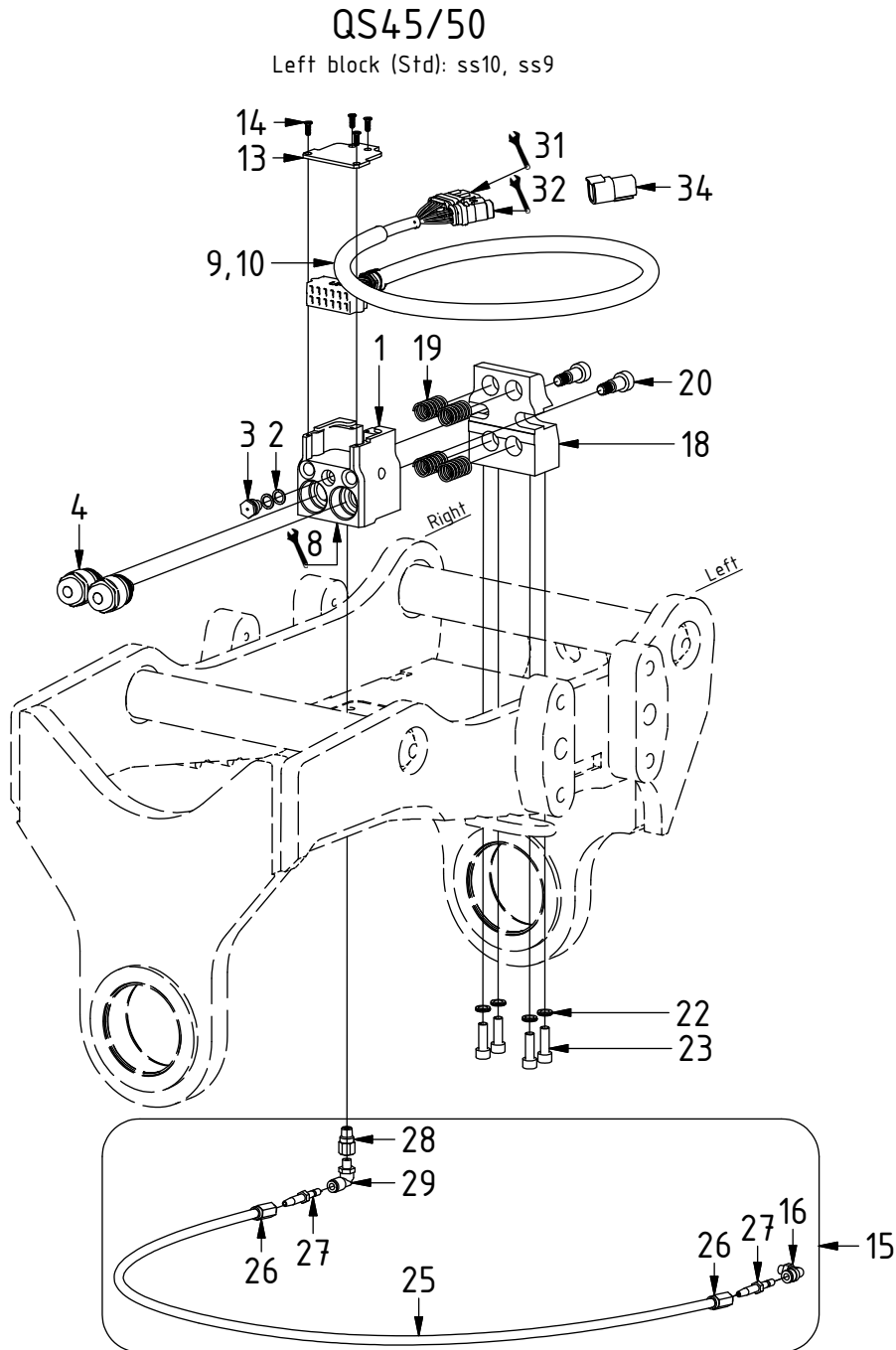
**Briefly:**

EC214: New length CL hose=1075mm. New adapters for CL hose. See document 9000344 for details.  
EC209QSM: Length CL hose=845mm. See document 9000344 for details.

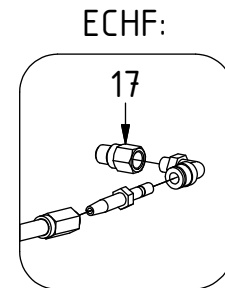
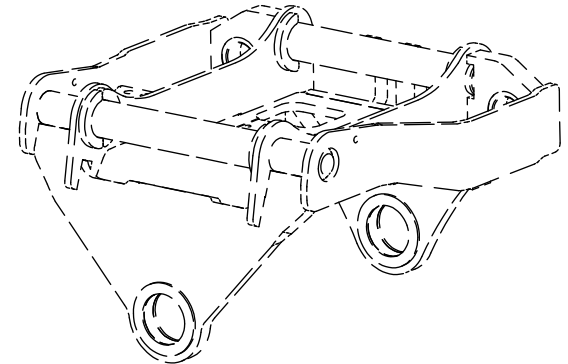
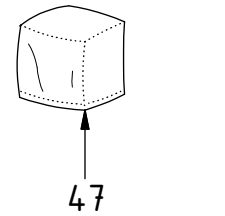
Add "Option 5 hyd." (right block has 3 hyd.)

## Document changes:

<u>Date:</u>	<u>Change:</u>	<u>Rev. after change:</u>
2021-01-28	Transport Protection added.	H
2019-10-28	Adapters for Top bracket QS50 updated.	G
2019-10-04	Adapters for Top bracket updated.	F
2019-03-22	Torque for left block details added.	E
2018-12-17	Plugs for Top brackets added.	D
2018-11-09	Comments corrected.	C
2018-07-11	Adapters for Top brackets & extension for grease coupling added.	B
2018-06-21	Layout/Irrelevant.	A
2018-04-11	New instruction.	-

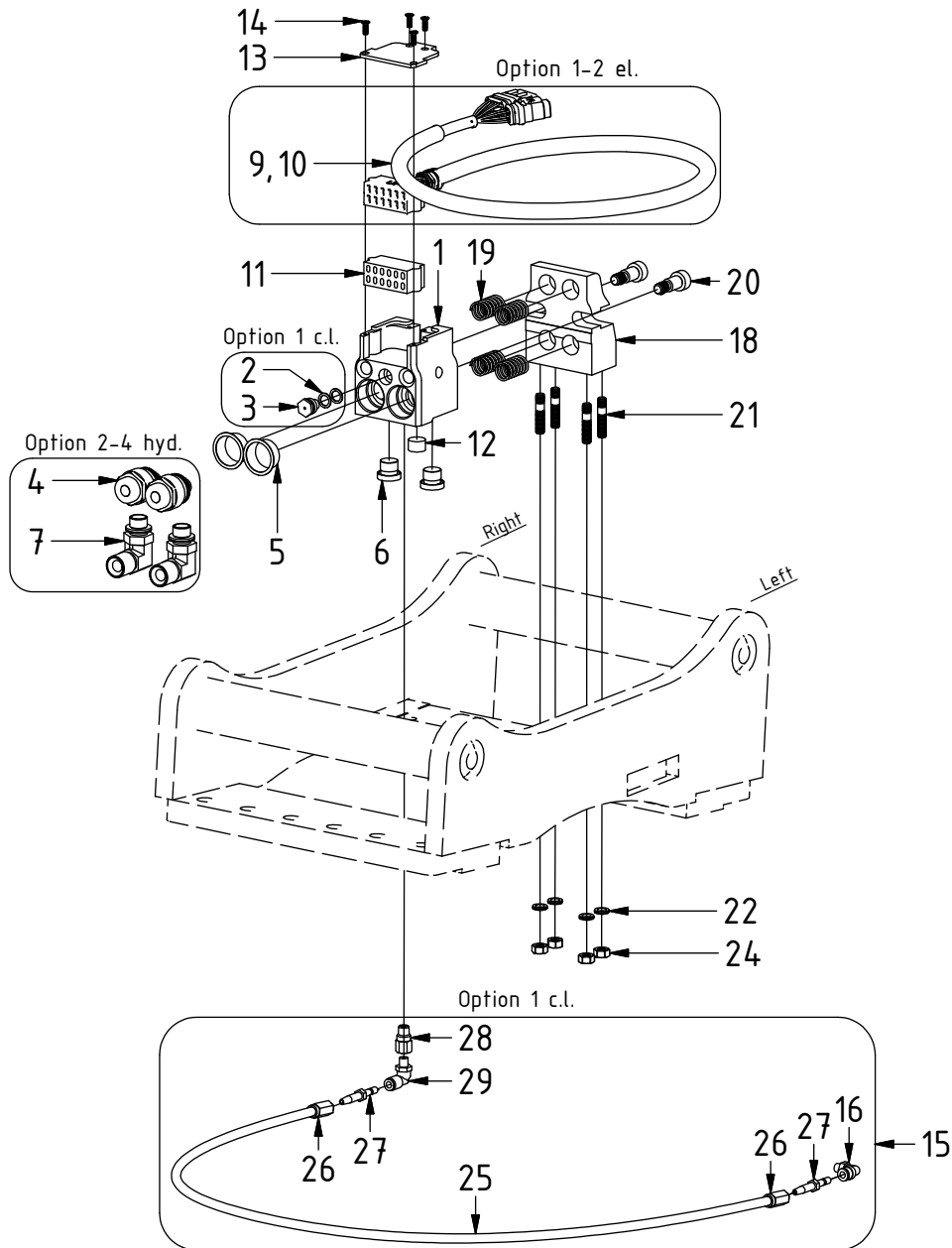


POS	DESCRIPTION	PART	QTY	COMMENTS
1	Block ECO45/50 W Top	1041989	1	
2	Washer - Copper 14x10	6000065	2	
3	Button head fitting 1/8" stainless	810505	1	Loctite 5400. Torque: 30Nm
4	Coupling ECO45/50 3/8" male	1028873	2	Torque: 60Nm
8	Adapters according to Top part			See "Top part"
9	Power Plug ECO W - EC206/209	1042241	1	For EC206, EC209
10	Power Plug ECO W - EC214/219	1042240	1	For EC214, EC219, Top bracket
13	Coverplate ECO45 W Top	1041099	1	
14	Screw MKFT 4x12	6000121	4	
15	Hose kit - Lubricant ECO45/50 W	7000666	1	(POS.16, 25-29 included)
16	Adapter 90° Push-in - R1/8"	790184	1	Loctite 2700
17	Extender 25/17mm KR1/8"-R1/8"	7000578	1	Loctite 2700
18	Attachment block ECO45 W Top	1041097	1	
19	Spring 18x35	1024794	4	
20	Reamed bolt $\varnothing$ 12x16/M10	611708	2	Loctite 2700
22	Washer NL8	611040	4	
23	Screw MC6S M8x25	610434	4	
25	Grease hose	7000665	1	Cut to length: 385mm for EC206, 750mm for EC209, 760mm for EC214
26	Screw socket HT-hose	7000585	2	
27	Pipe stub straight Push-in	790175	2	
28	Extender M8x1-M8x1 18mm	7000688	1	Loctite 2700
29	Push-in swivel 90° M8x1	790173	1	Loctite 2700
31	12P, connect to adapter cable			See "Control system" (cables)
32	6P, connect to Q-Safe connector (DC2: connect to adapter cable)			See "Control system" (cables)
34	Protection plug 6P	8000090	1	When 6P is not used
47	Transport Protection Block	1035199	1	

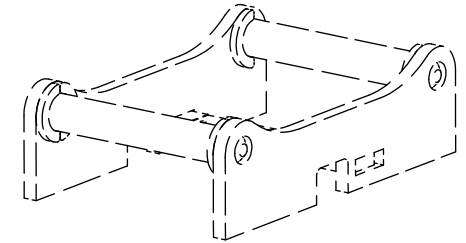
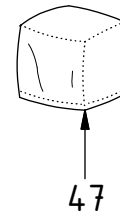


## QS45/50

Left block (Std): Top bracket

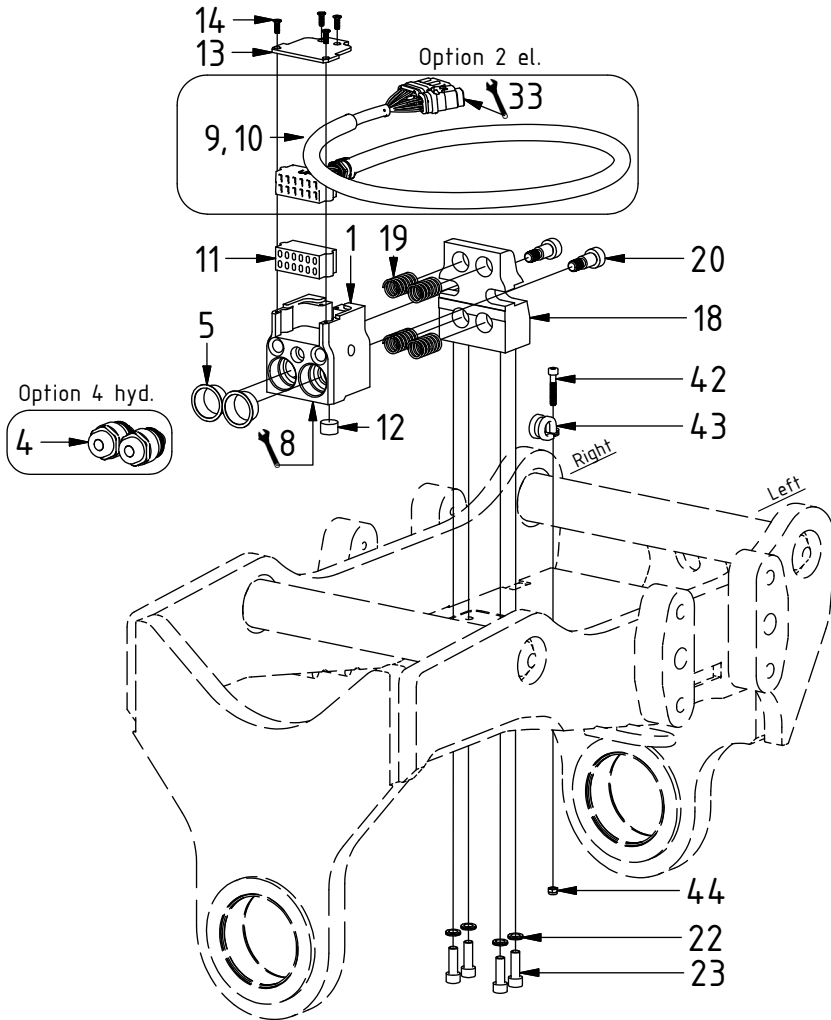


POS	DESCRIPTION	PART	QTY	COMMENTS
1	Block ECO45/50 W Top	1041989	1	
2	Washer - Copper 14x10	6000065	2	
3	Button head fitting 1/8" stainless	810505	1	Loctite 5400. Torque: 30Nm
4	Coupling ECO45/50 3/8" male	1028873	2	Torque: 60Nm
5	Protection plug ECO45/50 Top	7000152	2	
6	Plug 70125-06 (3/8")	711504	2	Used with POS.5
7	Adapter 401-08-06 90° (1/2"-3/8")	7000233	2	
9	Power Plug ECO W - EC206/209	1042241	1	For EC206, EC209
10	Power Plug ECO W - EC214/219	1042240	1	For EC214, EC219, Top bracket
11	Plug ECO W Top	1042918	1	
12	Pipe plug DIN 906 M16x1,5	711529	1	Used with POS.11
13	Coverplate ECO45 W Top	1041099	1	
14	Screw MKFT 4x12	6000121	4	
15	Hose kit - Lubricant ECO45/50 W	7000666	1	(POS.16, 25-29 included)
16	Adapter 90° Push-in - R1/8"	790184	1	Loctite 2700
18	Attachment block ECO45 W Top	1041097	1	
19	Spring 18x35	1024794	4	
20	Reamed bolt $\varnothing$ 12x16/M10	611708	2	Loctite 2700
21	Stud bolt 8x30	611185	4	Loctite 2700
22	Washer NL8	611040	4	
24	Nut steel M8	611187	4	
25	Grease hose	7000665	1	Cut to length: 385mm for EC206, 750mm for EC209, 760mm for EC214
26	Screw socket HT-hose	7000585	2	
27	Pipe stub straight Push-in	790175	2	
28	Extender M8x1-M8x1 18mm	7000688	1	Loctite 2700
29	Push-in swivel 90° M8x1	790173	1	Loctite 2700
47	Transport Protection Block	1035199	1	

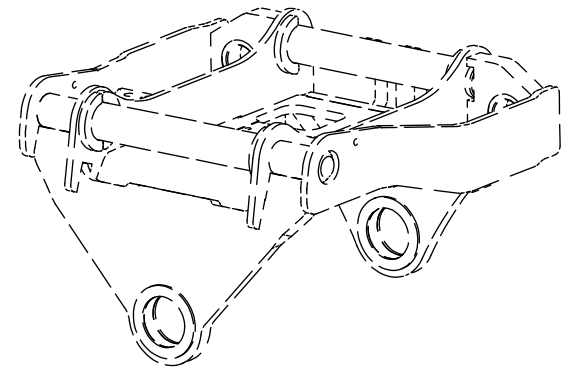


## QS45

Right block: DC2/MACS Options 2Bl.

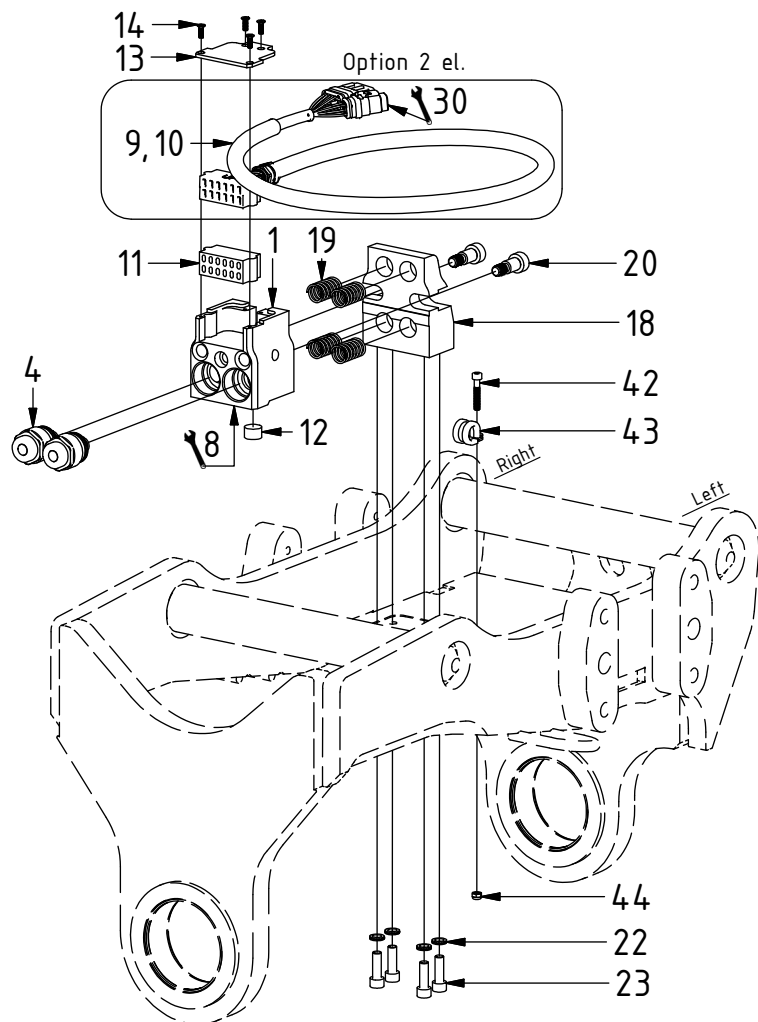


POS	DESCRIPTION	PART	QTY	COMMENTS
1	Block ECO45/50 W Top	1041989	1	
4	Coupling ECO45/50 3/8" male	1028873	2	Torque: 60Nm
5	Protection plug ECO45/50 Top	7000152	2	
8	Adapters according to Top part			See "Top part"
9	Power Plug ECO W - EC206/209	1042241	1	For EC206, EC209
10	Power Plug ECO W - EC214/219	1042240	1	For EC214, EC219, Top bracket
11	Plug ECO W Top	1042918	1	
12	Pipe plug DIN 906 M16x1,5	711529	1	Used with POS.11
13	Coverplate ECO45 W Top	1041099	1	
14	Screw MKFT 4x12	6000121	4	
18	Attachment block ECO45 W Top	1041097	1	
19	Spring 18x35	1024794	4	
20	Reamed bolt $\varnothing$ 12x16/M10	611708	2	Loctite 2700
22	Washer NL8	611040	4	
23	Screw MC6S M8x25	610434	4	
33	6P, connect to slip ring when "1 el." on EC-Hitch			See "Slip rings" (additional cables)
42	Screw MC6S M5x30	610403	1	For ss10(SVAB) & Option 2 el.
43	Rubber steel clamp $\varnothing$ 16	6000009	1	For ss10(SVAB) & Option 2 el.
44	Hex Nut M5 Lock	610920	1	For ss10(SVAB) & Option 2 el.

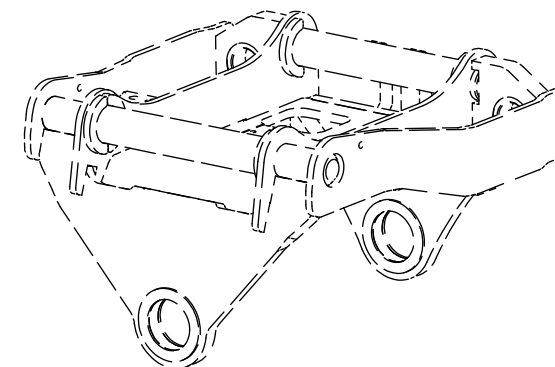


## QS45

Right block: ss9

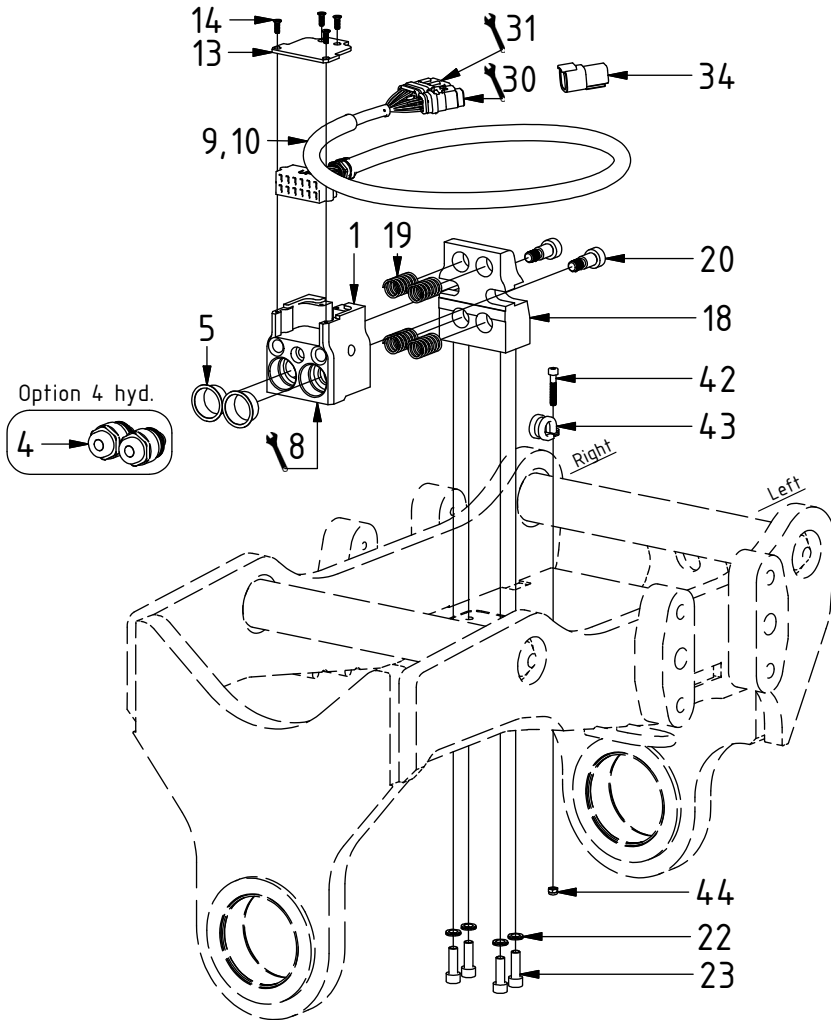


POS	DESCRIPTION	PART	QTY	COMMENTS
1	Block ECO45/50 W Top	1041989	1	
4	Coupling ECO45/50 3/8" male	1028873	2	Torque: 60Nm
8	Adapters according to Top part			See "Top part"
9	Power Plug ECO W - EC206/209	1042241	1	For EC206, EC209
10	Power Plug ECO W - EC214/219	1042240	1	For EC214, EC219, Top bracket
11	Plug ECO W Top	1042918	1	
12	Pipe plug DIN 906 M16x1,5	711529	1	Used with POS.11
13	Coverplate ECO45 W Top	1041099	1	
14	Screw MKFT 4x12	6000121	4	
18	Attachment block ECO45 W Top	1041097	1	
19	Spring 18x35	1024794	4	
20	Reamed bolt ø12x16/M10	611708	2	Loctite 2700
22	Washer NL8	611040	4	
23	Screw MC6S M8x25	610434	4	
30	6P, for ePS connect to ePS-cable			See "Control system" (cables)
42	Screw MC6S M5x30	610403	1	For ss10(SVAB) & Option 2 el.
43	Rubber steel clamp ø16	6000009	1	For ss10(SVAB) & Option 2 el.
44	Hex Nut M5 Lock	610920	1	For ss10(SVAB) & Option 2 el.

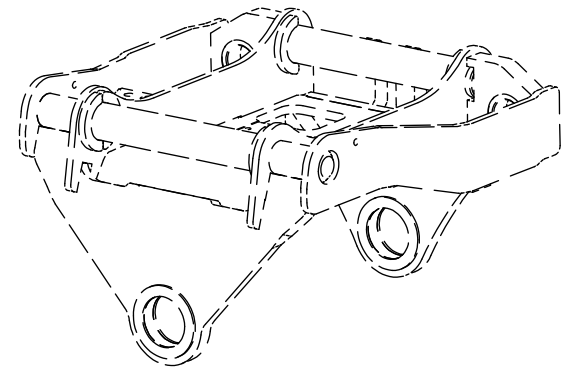


## QS45

Right block: ss10 (SVAB)

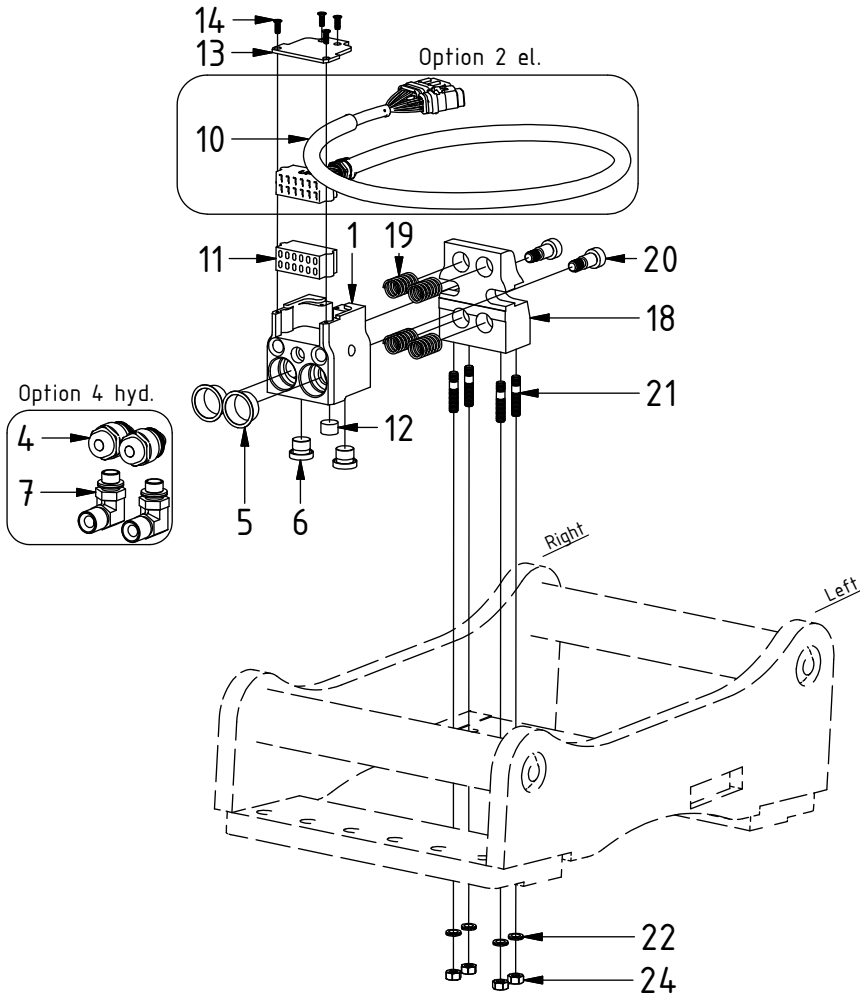


POS	DESCRIPTION	PART	QTY	COMMENTS
1	Block ECO45/50 W Top	1041989	1	
4	Coupling ECO45/50 3/8" male	1028873	2	Torque: 60Nm
5	Protection plug ECO45/50 Top	7000152	2	
8	Adapters according to Top part			See "Top part"
9	Power Plug ECO W - EC206/209	1042241	1	For EC206, EC209
10	Power Plug ECO W - EC214/219	1042240	1	For EC214, EC219, Top bracket
13	Coverplate ECO45 W Top	1041099	1	
14	Screw MKFT 4x12	6000121	4	
18	Attachment block ECO45 W Top	1041097	1	
19	Spring 18x35	1024794	4	
20	Reamed bolt ø12x16/M10	611708	2	Loctite 2700
22	Washer NL8	611040	4	
23	Screw MC6S M8x25	610434	4	
30	6P, for ePS connect to ePS-cable			See "Control system" (cables)
31	12P, connect to adapter cable			See "Control system" (cables)
34	Protection plug 6P	8000090	1	When 6P is not used
42	Screw MC6S M5x30	610403	1	For ss10(SVAB) & Option 2 el.
43	Rubber steel clamp ø16	6000009	1	For ss10(SVAB) & Option 2 el.
44	Hex Nut M5 Lock	610920	1	For ss10(SVAB) & Option 2 el.

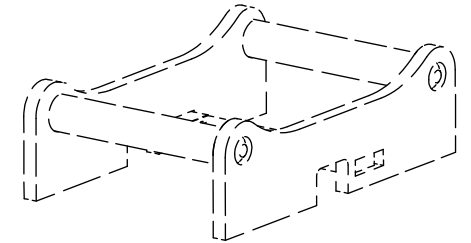


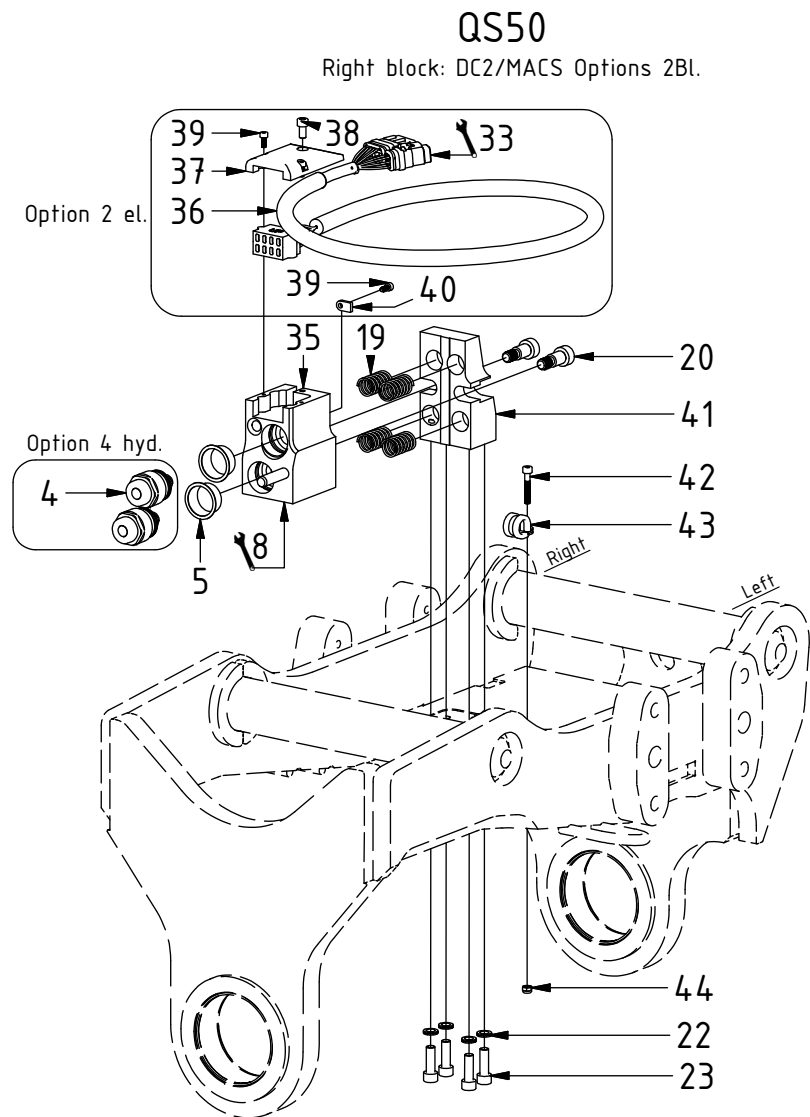
## QS45

Right block: Top bracket Option 2Bl.

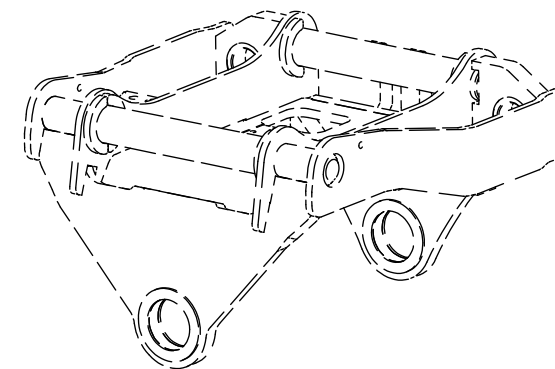


POS	DESCRIPTION	PART	QTY	COMMENTS
1	Block ECO45/50 W Top	1041989	1	
4	Coupling ECO45/50 3/8" male	1028873	2	Torque: 60Nm
5	Protection plug ECO45/50 Top	7000152	2	
6	Plug 70125-06 (3/8")	711504	2	Used with POS.5
7	Adapter 401-08-06 90° (1/2"-3/8")	7000233	2	
10	Power Plug ECO W - EC214/219	1042240	1	For EC214, EC219, Top bracket
11	Plug ECO W Top	1042918	1	
12	Pipe plug DIN 906 M16x1,5	711529	1	Used with POS.11
13	Coverplate ECO45 W Top	1041099	1	
14	Screw MKFT 4x12	6000121	4	
18	Attachment block ECO45 W Top	1041097	1	
19	Spring 18x35	1024794	4	
20	Reamed bolt $\varnothing$ 12x16/M10	611708	2	Loctite 2700
21	Stud bolt 8x30	611185	4	Loctite 2700
22	Washer NL8	611040	4	
24	Nut steel M8	611187	4	

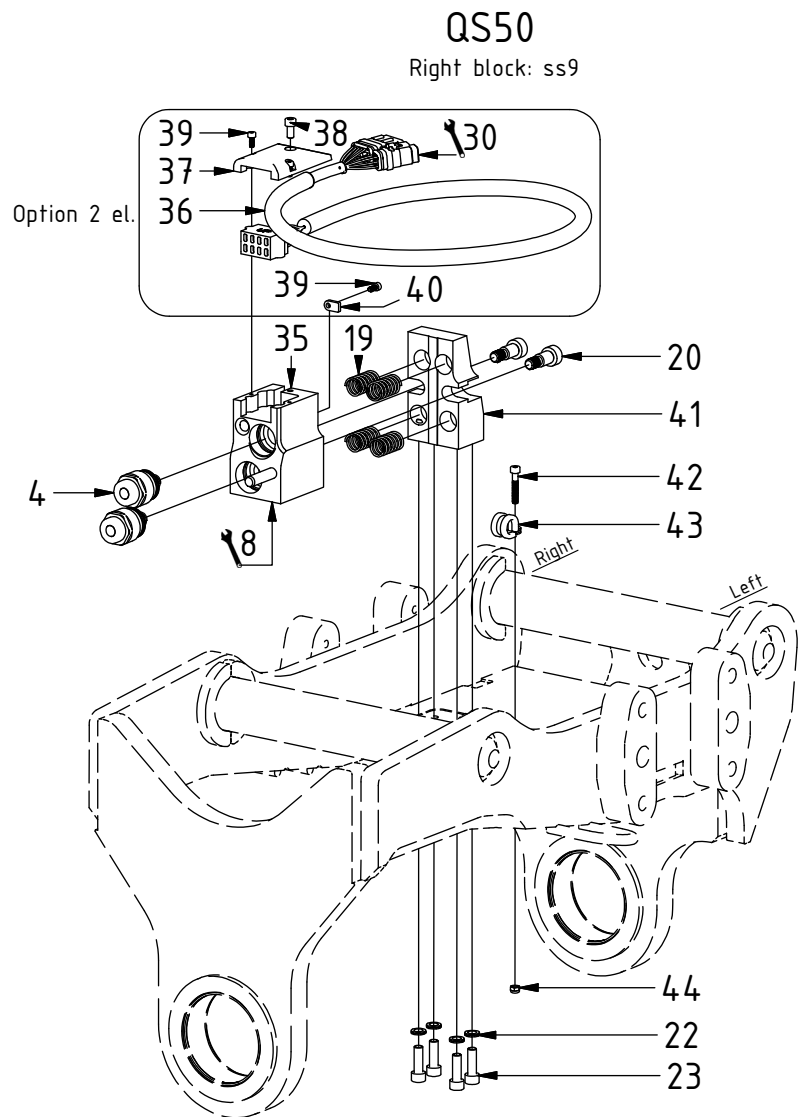




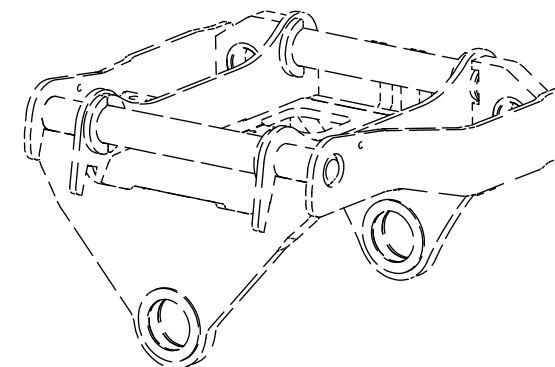
POS	DESCRIPTION	PART	QTY	COMMENTS
4	Coupling ECO45/50 3/8" male	1028873	2	Torque: 60Nm
5	Protection plug ECO45/50 Top	7000152	2	
8	Adapters according to Top part			See "Top part"
19	Spring 18x35	1024794	4	
20	Reamed bolt $\varnothing$ 12x16/M10	611708	2	Loctite 2700
22	Washer NL8	611040	4	
23	Screw MC6S M8x25	610434	4	
33	6P, connect to slip ring when "1 el." on EC-Hitch			See "Slip rings" (additional cables)
35	Block ECO50 W Top	1046074	1	
36	Power Plug ECO50 W Top	1045168	1	
37	Coverplate ECO50 W Top	1041646	1	
38	Screw MC6S M6x12	610412	1	Loctite 2400
39	Screw MC6S M4x10	610523	3	Loctite 2400
40	Clamping washer	1045180	1	
41	Attachment block ECO50 W Top	1041645	1	
42	Screw MC6S M5x30	610403	1	For ss10(SVAB) & Option 2 el.
43	Rubber steel clamp $\varnothing$ 16	6000009	1	For ss10(SVAB) & Option 2 el.
44	Hex Nut M5 Lock	610920	1	For ss10(SVAB) & Option 2 el.



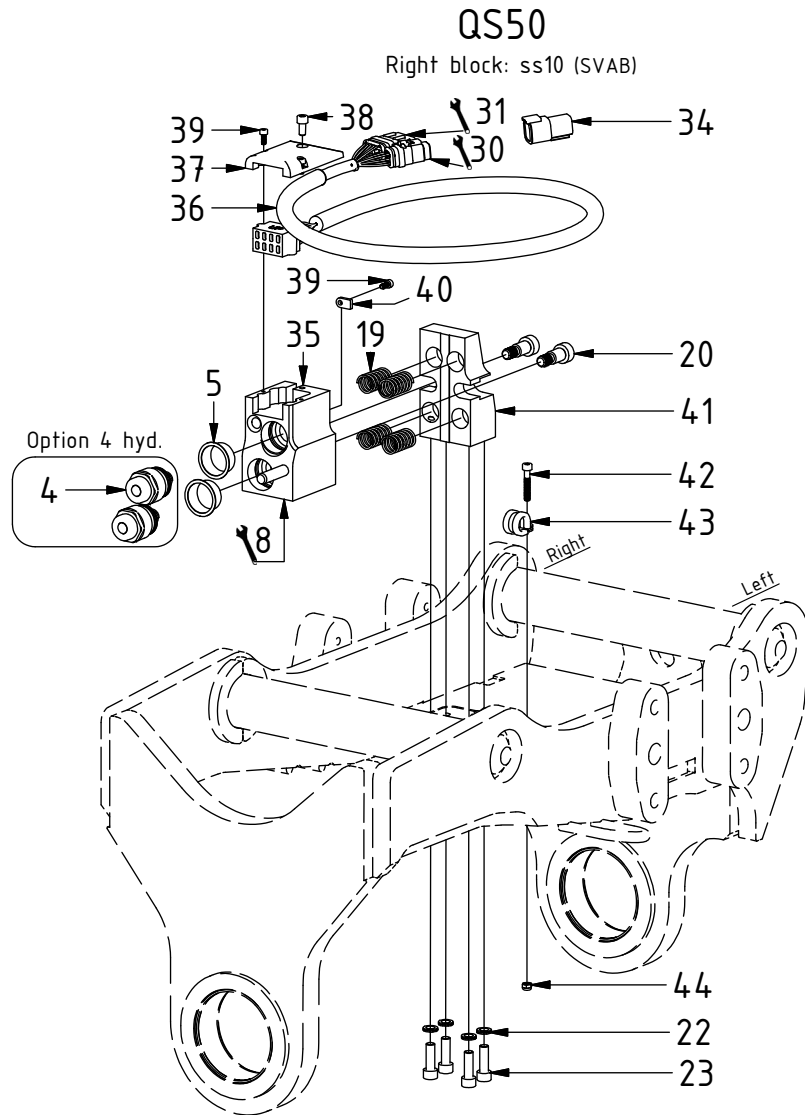




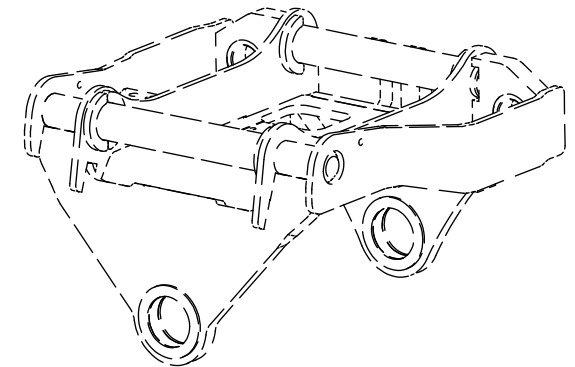
POS	DESCRIPTION	PART	QTY	COMMENTS
4	Coupling ECO45/50 3/8" male	1028873	2	Torque: 60Nm
8	Adapters according to Top part			See "Top part"
19	Spring 18x35	1024794	4	
20	Reamed bolt $\varnothing$ 12x16/M10	611708	2	Loctite 2700
22	Washer NL8	611040	4	
23	Screw MC6S M8x25	610434	4	
30	6P, for ePS connect to ePS-cable			See "Control system" (cables)
35	Block ECO50 W Top	1046074	1	
36	Power Plug ECO50 W Top	1045168	1	
37	Coverplate ECO50 W Top	1041646	1	
38	Screw MC6S M6x12	610412	1	Loctite 2400
39	Screw MC6S M4x10	610523	3	Loctite 2400
40	Clamping washer	1045180	1	
41	Attachment block ECO50 W Top	1041645	1	
42	Screw MC6S M5x30	610403	1	For ss10(SVAB) & Option 2 el.
43	Rubber steel clamp $\varnothing$ 16	6000009	1	For ss10(SVAB) & Option 2 el.
44	Hex Nut M5 Lock	610920	1	For ss10(SVAB) & Option 2 el.

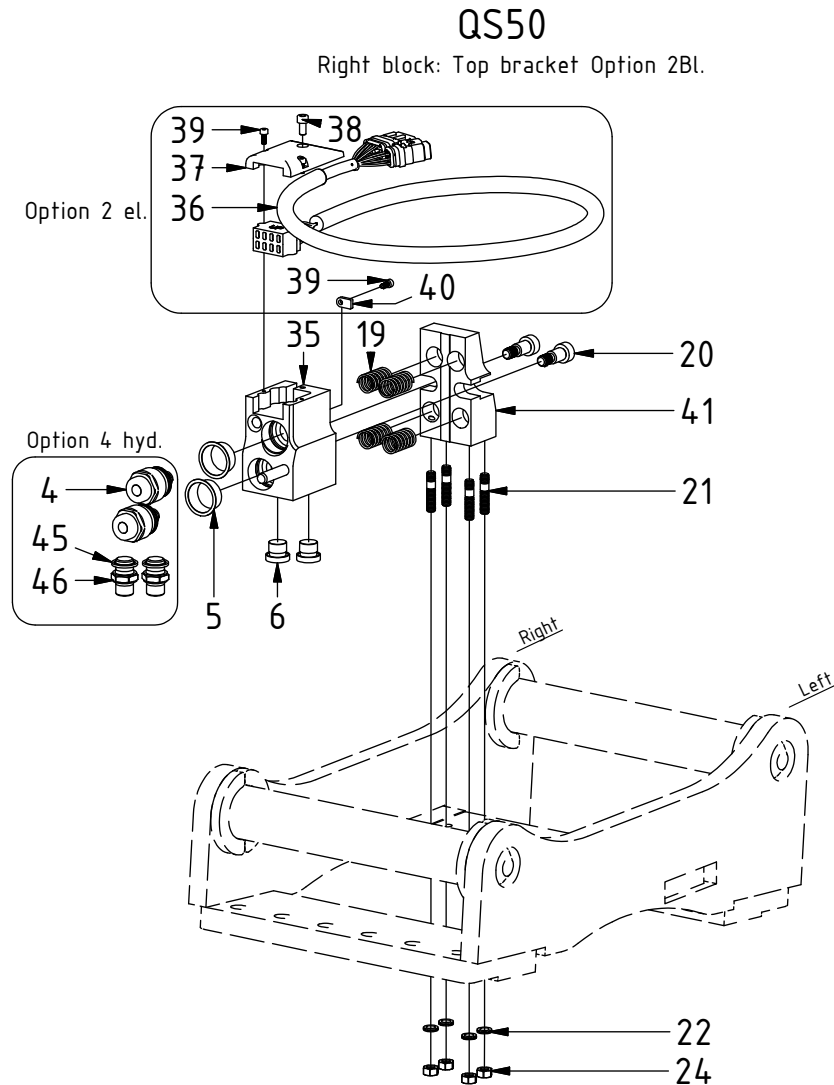


POS in order of assembly



POS	DESCRIPTION	PART	QTY	COMMENTS
4	Coupling ECO45/50 3/8" male	1028873	2	Torque: 60Nm
5	Protection plug ECO45/50 Top	7000152	2	
8	Adapters according to Top part			See "Top part"
19	Spring 18x35	1024794	4	
20	Reamed bolt $\varnothing$ 12x16/M10	611708	2	Loctite 2700
22	Washer NL8	611040	4	
23	Screw MC6S M8x25	610434	4	
6P,	for ePS connect to ePS-cable			See "Control system" (cables)
31	12P, connect to adapter cable			See "Control system" (cables)
34	Protection plug 6P	8000090	1	When 6P is not used
35	Block ECO50 W Top	1046074	1	
36	Power Plug ECO50 W Top	1045168	1	
37	Coverplate ECO50 W Top	1041646	1	
38	Screw MC6S M6x12	610412	1	Loctite 2400
39	Screw MC6S M4x10	610523	3	Loctite 2400
40	Clamping washer	1045180	1	
41	Attachment block ECO50 W Top	1041645	1	
42	Screw MC6S M5x30	610403	1	For ss10(SVAB) & Option 2 el.
43	Rubber steel clamp $\varnothing$ 16	6000009	1	For ss10(SVAB) & Option 2 el.
44	Hex Nut M5 Lock	610920	1	For ss10(SVAB) & Option 2 el.





POS	DESCRIPTION	PART	QTY	COMMENTS
4	Coupling ECO45/50 3/8" male	1028873	2	Torque: 60Nm
5	Protection plug ECO45/50 Top	7000152	2	
6	Plug 70125-06 (3/8")	711504	2	Used with POS.5
19	Spring 18x35	1024794	4	
20	Reamed bolt $\varnothing$ 12x16/M10	611708	2	Loctite 2700
21	Stud bolt 8x30	611185	4	Loctite 2700
22	Washer NL8	611040	4	
24	Nut steel M8	611187	4	
35	Block ECO50 W Top	1046074	1	
36	Power Plug ECO50 W Top	1045168	1	
37	Coverplate ECO50 W Top	1041646	1	
38	Screw MC6S M6x12	610412	1	Loctite 2400
39	Screw MC6S M4x10	610523	3	Loctite 2400
40	Clamping washer	1045180	1	
41	Attachment block ECO50 W Top	1041645	1	
45	Sealing washer 3/8"	710703	2	
46	Adapter 136-06-06 (3/8")	710106	2	

