

## COVERSHEET

### Planned document changes:

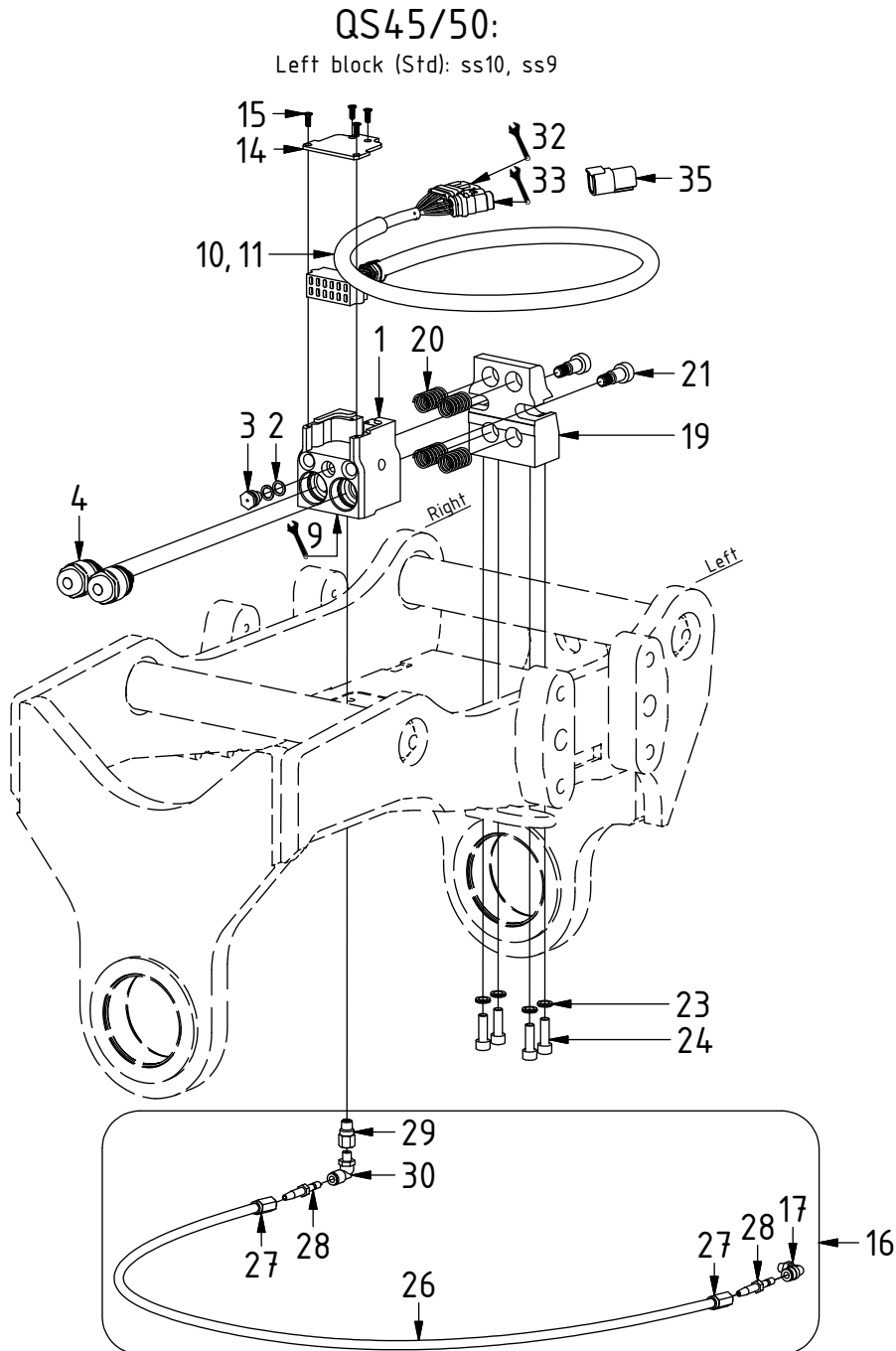
**Briefly:**

---

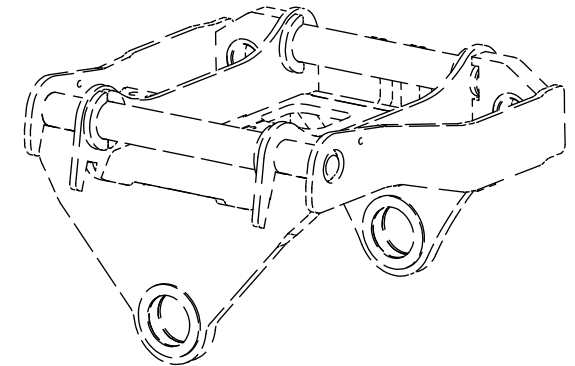
No planned changes.

### Document changes:

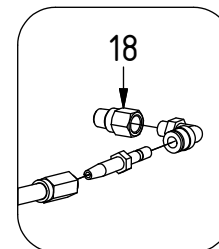
<b>Date:</b>	<b>Change:</b>	<b>Rev. after change:</b>
2018-12-17	Plugs for Top brackets added.	D
2018-11-09	Comments corrected.	C
2018-07-11	Adapters for Top brackets & extension for grease coupling added.	B
2018-06-21	Layout/Irrelevant.	A
2018-04-11	New instruction.	-



POS	DESCRIPTION	PART	QTY	COMMENTS
1	Block ECO45/50 W Top	1041989	1	
2	Washer - Copper 14x10	6000065	2	
3	Button head fitting 1/8" stainless	810505	1	
4	Coupling ECO45/50 3/8" male	1028873	2	
9	Adapters according to Top part			See "Top part"
10	Power Plug ECO W - EC206/209	1042241	1	For EC206, EC209
11	Power Plug ECO W - EC214/219	1042240	1	For EC214, EC219, Top bracket
14	Coverplate ECO45 W Top	1041099	1	
15	Screw MKFT 4x12	6000121	4	
16	Hose kit - Lubricant ECO45/50 W	7000666	1	(POS.17, 26-30 included)
17	Adapter 90° Push-in - R1/8"	790184	1	Loctite 2700
18	Extender 25/17mm KR1/8"-R1/8"	7000578	1	Loctite 2700
19	Attachment block ECO45 W Top	1041097	1	
20	Spring 18x35	1024794	4	
21	Reamed bolt $\varnothing$ 12x16/M10	611708	2	Loctite 2700
23	Washer NL8	611040	4	
24	Screw MC6S M8x25	610434	4	
26	Grease hose	7000665	1	Cut to length: 385mm for EC206, 750mm for EC209, 760mm for EC214
27	Screw socket HT-hose	7000585	2	
28	Pipe stub straight Push-in	790175	2	
29	Extender M8x1-M8x1 18mm	7000688	1	Loctite 2700
30	Push-in swivel 90° M8x1	790173	1	Loctite 2700
32	12P, connect to adapter cable			See "Control system" (cables)
33	6P, connect to Q-Safe connector (DC2: connect to adapter cable)			See "Control system" (cables)
35	Protection plug 6P	8000090	1	When 6P is not used

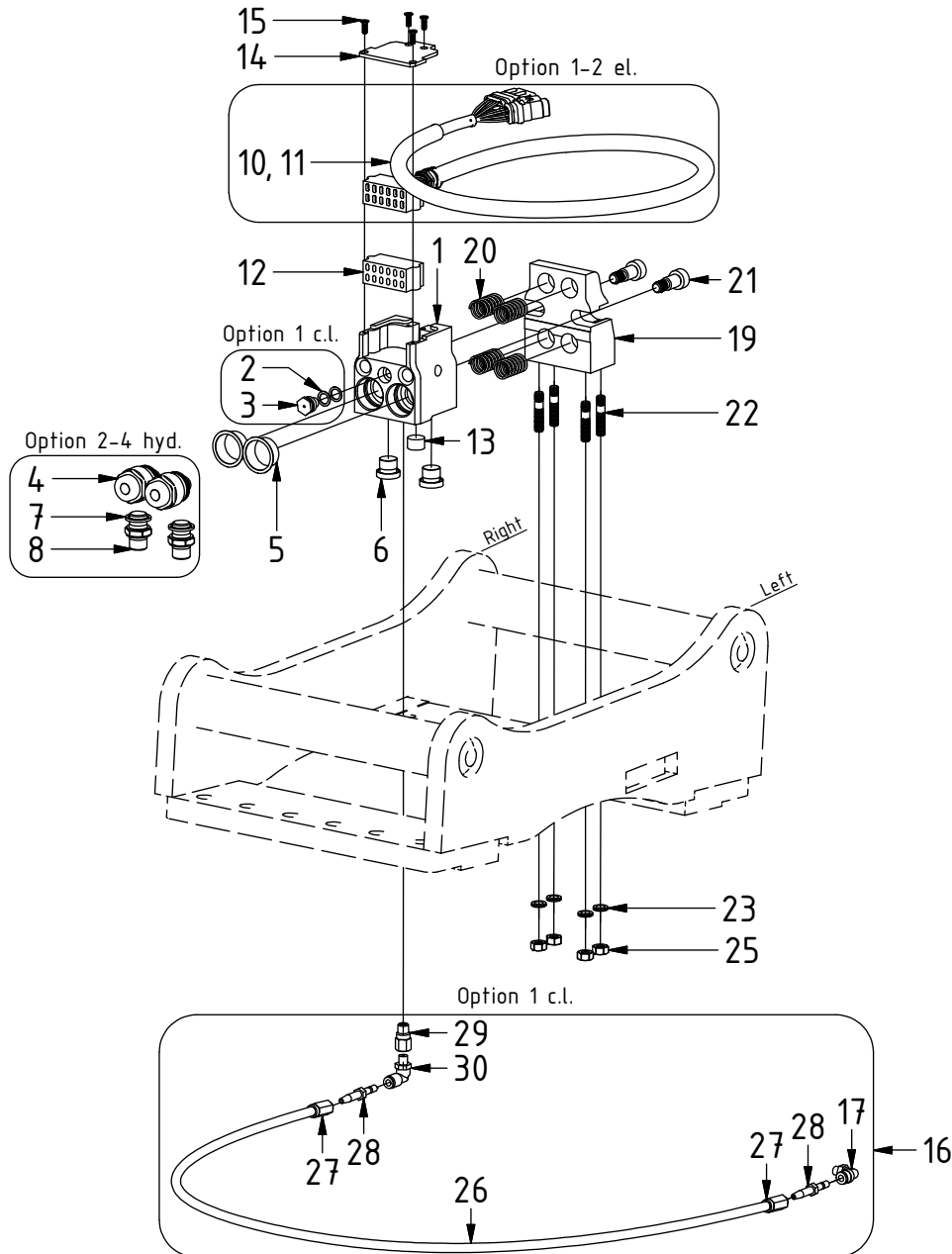


**ECHF:**

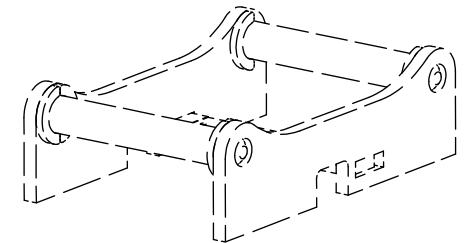


## QS45/50:

Left block (Std): Top bracket

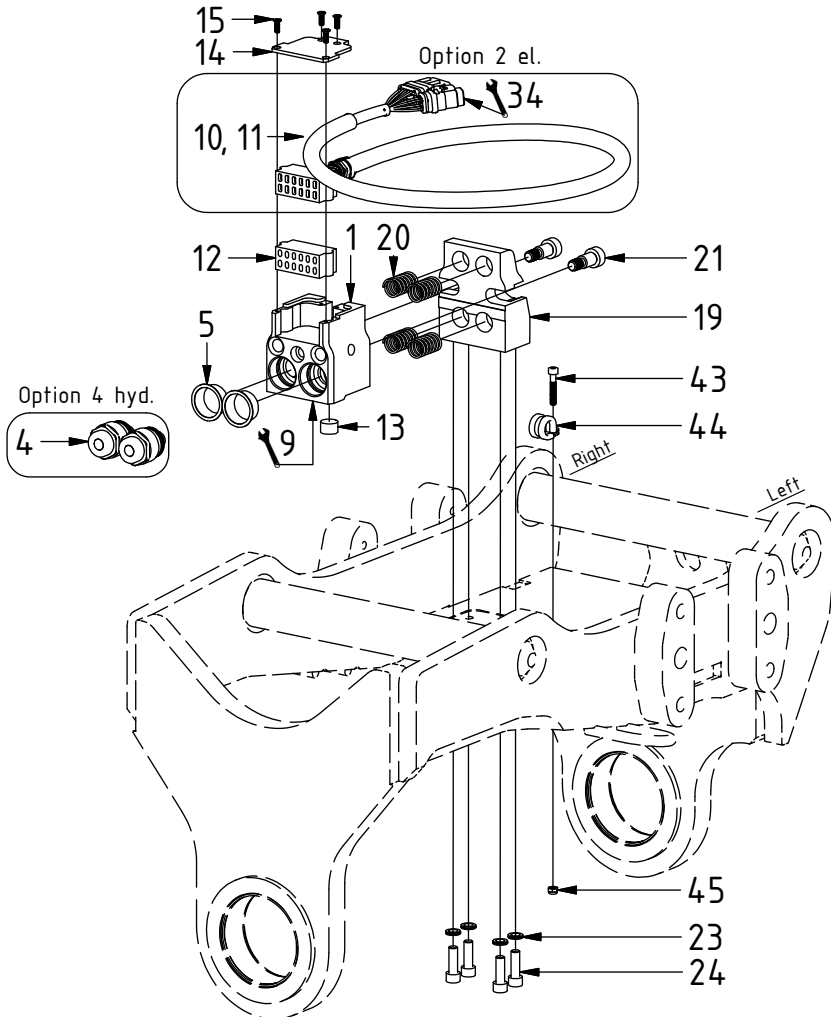


POS	DESCRIPTION	PART	QTY	COMMENTS
1	Block ECO45/50 W Top	1041989	1	
2	Washer - Copper 14x10	6000065	2	
3	Button head fitting 1/8" stainless	810505	1	
4	Coupling ECO45/50 3/8" male	1028873	2	
5	Protection plug ECO45/50 Top	7000152	2	
6	Plug 70125-06 (3/8")	711504	2	Used with POS.5
7	Sealing washer 3/8"	710703	2	
8	Adapter 136-06-06 (3/8")	710106	2	
10	Power Plug ECO W - EC206/209	1042241	1	For EC206, EC209
11	Power Plug ECO W - EC214/219	1042240	1	For EC214, EC219, Top bracket
12	Plug ECO W Top	1042918	1	
13	Pipe plug DIN 906 M16x1,5	711529	1	Used with POS.12
14	Coverplate ECO45 W Top	1041099	1	
15	Screw MKFT 4x12	6000121	4	
16	Hose kit - Lubricant ECO45/50 W	7000666	1	(POS.17, 26-30 included)
17	Adapter 90° Push-in - R1/8"	790184	1	Loctite 2700
19	Attachment block ECO45 W Top	1041097	1	
20	Spring 18x35	1024794	4	
21	Reamed bolt $\varnothing$ 12x16/M10	611708	2	Loctite 2700
22	Stud bolt 8x30	611185	4	Loctite 2700
23	Washer NL8	611040	4	
25	Nut steel M8	611187	4	
26	Grease hose	7000665	1	Cut to length: 385mm for EC206, 750mm for EC209, 760mm for EC214
27	Screw socket HT-hose	7000585	2	
28	Pipe stub straight Push-in	790175	2	
29	Extender M8x1-M8x1 18mm	7000688	1	Loctite 2700
30	Push-in swivel 90° M8x1	790173	1	Loctite 2700

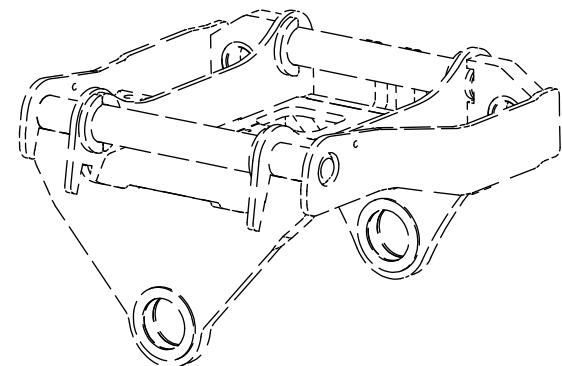


## QS45:

Right block: DC2/MACS Options 2Bl.

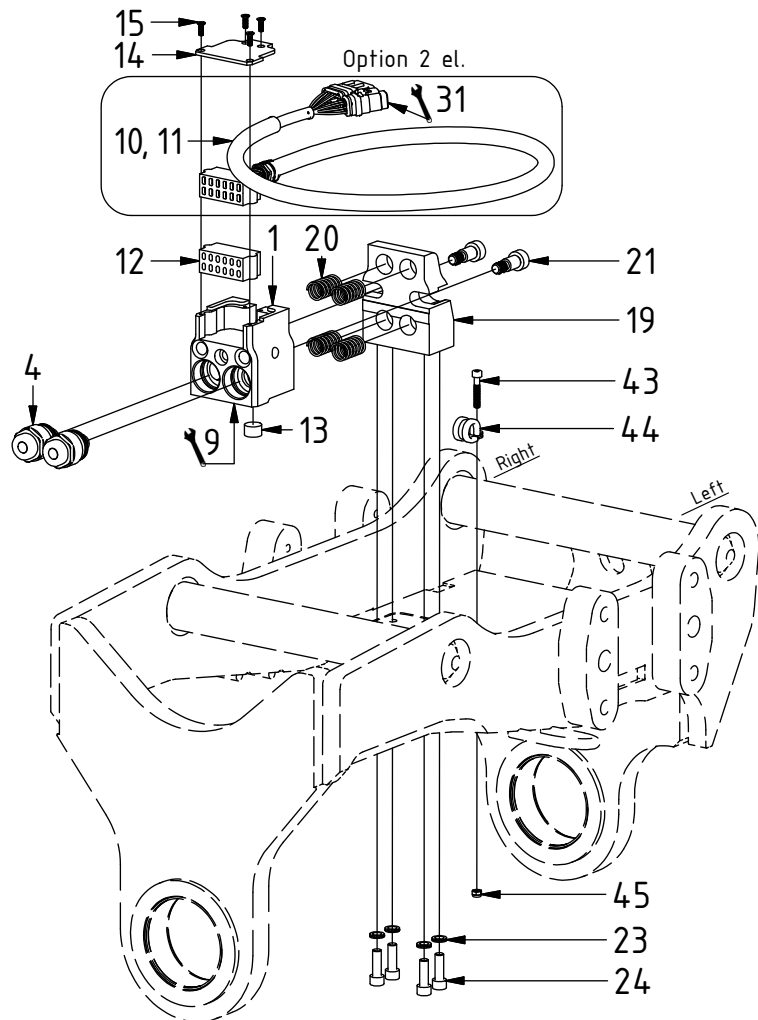


POS	DESCRIPTION	PART	QTY	COMMENTS
1	Block ECO45/50 W Top	1041989	1	
4	Coupling ECO45/50 3/8" male	1028873	2	
5	Protection plug ECO45/50 Top	7000152	2	
9	Adapters according to Top part			See "Top part"
10	Power Plug ECO W - EC206/209	1042241	1	For EC206, EC209
11	Power Plug ECO W - EC214/219	1042240	1	For EC214, EC219, Top bracket
12	Plug ECO W Top	1042918	1	
13	Pipe plug DIN 906 M16x1,5	711529	1	Used with POS.12
14	Coverplate ECO45 W Top	1041099	1	
15	Screw MKFT 4x12	6000121	4	
19	Attachment block ECO45 W Top	1041097	1	
20	Spring 18x35	1024794	4	
21	Reamed bolt $\varnothing$ 12x16/M10	611708	2	Loctite 2700
23	Washer NL8	611040	4	
24	Screw MC6S M8x25	610434	4	
34	6P, connect to slip ring when "1 el." on EC-Hitch			See "Slip rings" (additional cables)
43	Screw MC6S M5x30	610403	1	For ss10(SVAB) & Option 2 el.
44	Rubber steel clamp $\varnothing$ 16	6000009	1	For ss10(SVAB) & Option 2 el.
45	Hex Nut M5 Lock	610920	1	For ss10(SVAB) & Option 2 el.

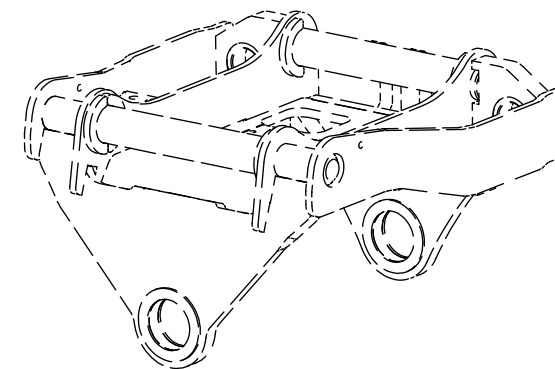


## QS45:

Right block: ss9

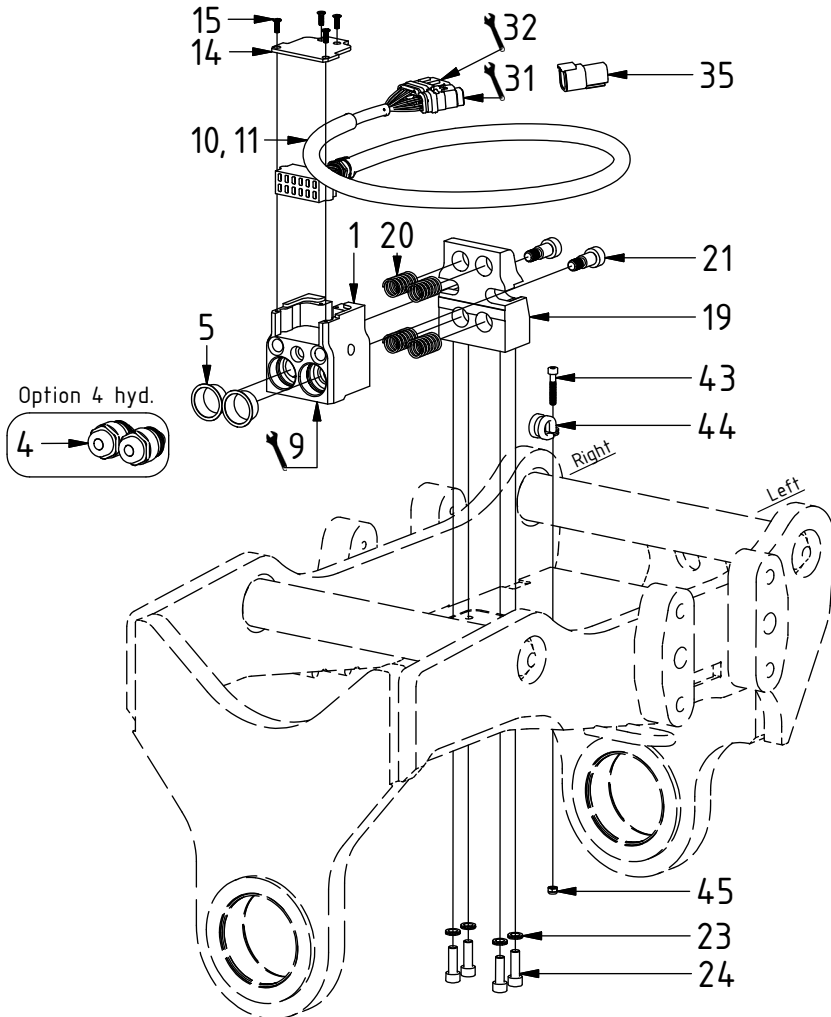


POS	DESCRIPTION	PART	QTY	COMMENTS
1	Block ECO45/50 W Top	1041989	1	
4	Coupling ECO45/50 3/8" male	1028873	2	
9	Adapters according to Top part			See "Top part"
10	Power Plug ECO W - EC206/209	1042241	1	For EC206, EC209
11	Power Plug ECO W - EC214/219	1042240	1	For EC214, EC219, Top bracket
12	Plug ECO W Top	1042918	1	
13	Pipe plug DIN 906 M16x1,5	711529	1	Used with POS.12
14	Coverplate ECO45 W Top	1041099	1	
15	Screw MKFT 4x12	6000121	4	
19	Attachment block ECO45 W Top	1041097	1	
20	Spring 18x35	1024794	4	
21	Reamed bolt ø12x16/M10	611708	2	Loctite 2700
23	Washer NL8	611040	4	
24	Screw MC6S M8x25	610434	4	
31	6P, for ePS connect to ePS-cable			See "Control system" (cables)
43	Screw MC6S M5x30	610403	1	For ss10(SVAB) & Option 2 el.
44	Rubber steel clamp ø16	6000009	1	For ss10(SVAB) & Option 2 el.
45	Hex Nut M5 Lock	610920	1	For ss10(SVAB) & Option 2 el.

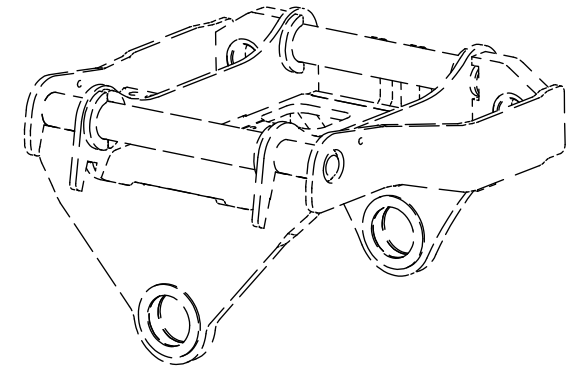


## QS45:

Right block: ss10 (SVAB)

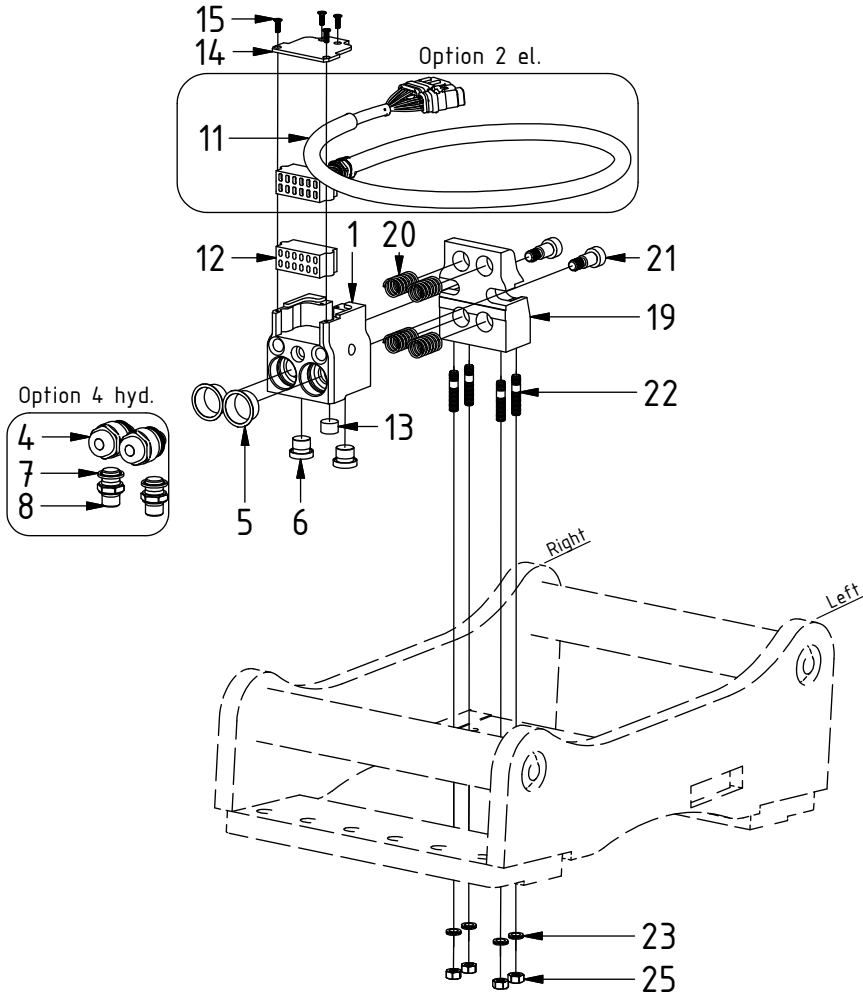


POS	DESCRIPTION	PART	QTY	COMMENTS
1	Block ECO45/50 W Top	1041989	1	
4	Coupling ECO45/50 3/8" male	1028873	2	
5	Protection plug ECO45/50 Top	7000152	2	
9	Adapters according to Top part			See "Top part"
10	Power Plug ECO W - EC206/209	1042241	1	For EC206, EC209
11	Power Plug ECO W - EC214/219	1042240	1	For EC214, EC219, Top bracket
14	Coverplate ECO45 W Top	1041099	1	
15	Screw MKFT 4x12	6000121	4	
19	Attachment block ECO45 W Top	1041097	1	
20	Spring 18x35	1024794	4	
21	Reamed bolt $\varnothing$ 12x16/M10	611708	2	Loctite 2700
23	Washer NL8	611040	4	
24	Screw MC6S M8x25	610434	4	
31	6P, for ePS connect to ePS-cable			See "Control system" (cables)
32	12P, connect to adapter cable			See "Control system" (cables)
35	Protection plug 6P	8000090	1	When 6P is not used
43	Screw MC6S M5x30	610403	1	For ss10(SVAB) & Option 2 el.
44	Rubber steel clamp $\varnothing$ 16	6000009	1	For ss10(SVAB) & Option 2 el.
45	Hex Nut M5 Lock	610920	1	For ss10(SVAB) & Option 2 el.



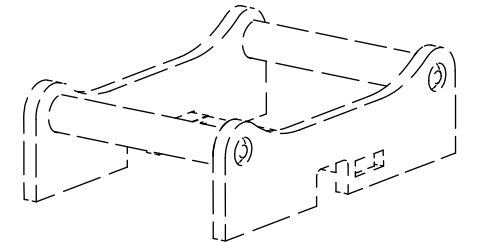
## QS45:

Right block: Top bracket Option 2Bl.



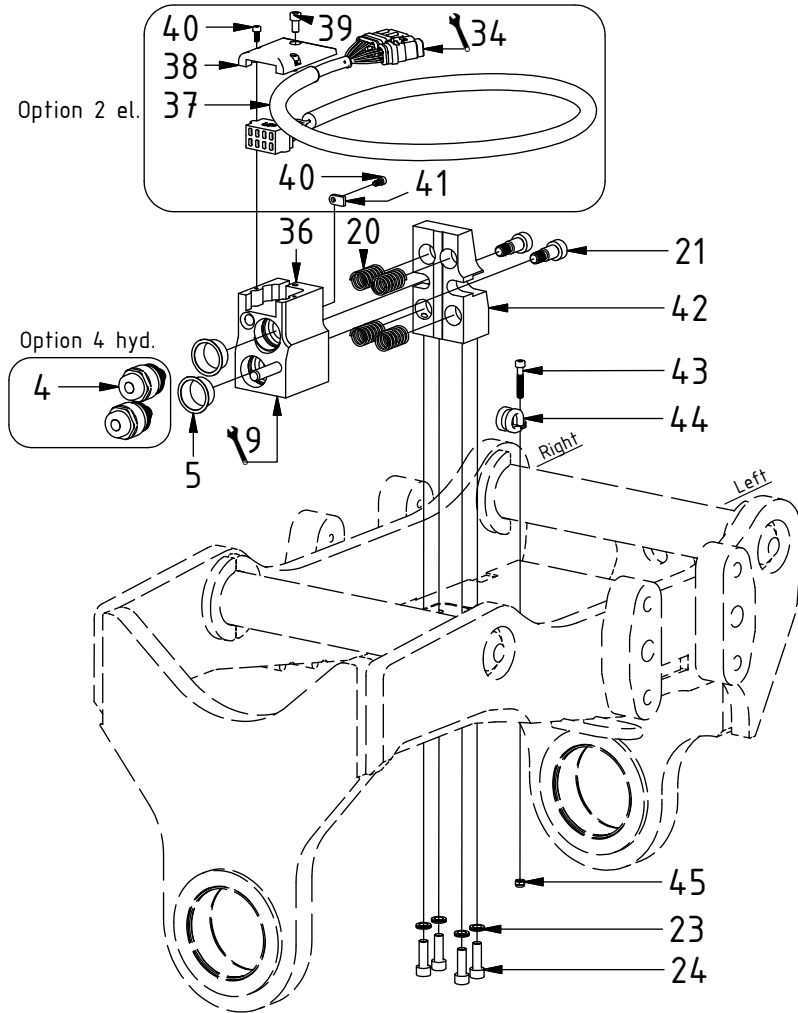
POS	DESCRIPTION	PART	QTY	COMMENTS
1	Block ECO45/50 W Top	1041989	1	
4	Coupling ECO45/50 3/8" male	1028873	2	
5	Protection plug ECO45/50 Top	7000152	2	
6	Plug 70125-06 (3/8")	711504	2	Used with POS.5
7	Sealing washer 3/8"	710703	2	
8	Adapter 136-06-06 (3/8")	710106	2	
11	Power Plug ECO W - EC214/219	1042240	1	For EC214, EC219, Top bracket
12	Plug ECO W Top	1042918	1	
13	Pipe plug DIN 906 M16x1,5	711529	1	Used with POS.12
14	Coverplate ECO45 W Top	1041099	1	
15	Screw MKFT 4x12	6000121	4	
19	Attachment block ECO45 W Top	1041097	1	
20	Spring 18x35	1024794	4	
21	Reamed bolt $\varnothing$ 12x16/M10	611708	2	Loctite 2700
22	Stud bolt 8x30	611185	4	Loctite 2700
23	Washer NL8	611040	4	
25	Nut steel M8	611187	4	

POS in order of assembly

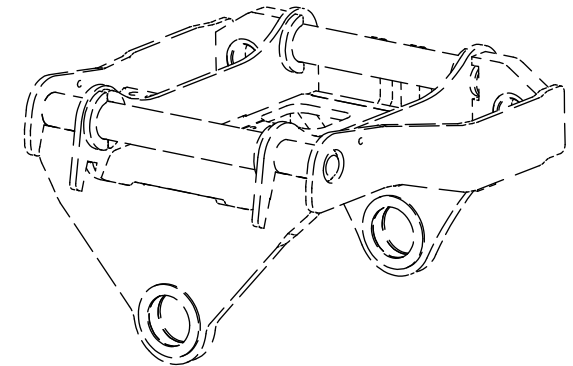


## QS50:

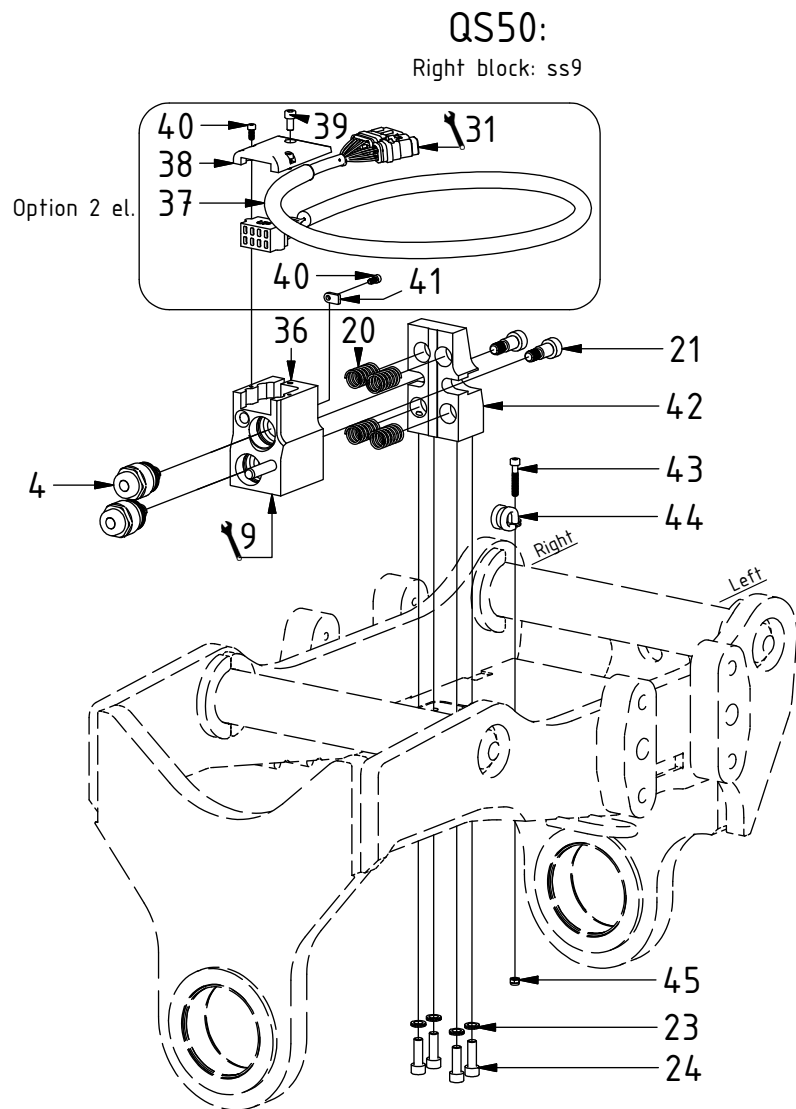
Right block: DC2/MACS Options 2Bl.



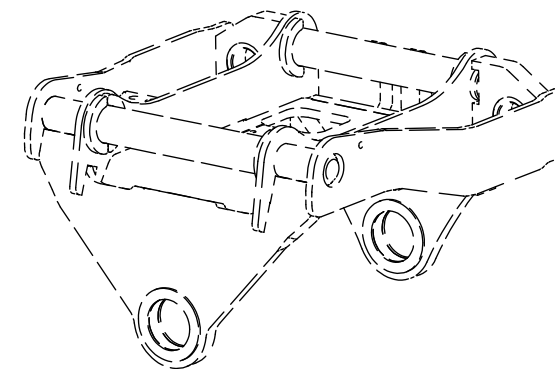
POS	DESCRIPTION	PART	QTY	COMMENTS
4	Coupling ECO45/50 3/8" male	1028873	2	
5	Protection plug ECO45/50 Top	7000152	2	
9	Adapters according to Top part			See "Top part"
20	Spring 18x35	1024794	4	
21	Reamed bolt $\varnothing$ 12x16/M10	611708	2	Loctite 2700
23	Washer NL8	611040	4	
24	Screw MC6S M8x25	610434	4	
34	6P, connect to slip ring when "1 el." on EC-Hitch			See "Slip rings" (additional cables)
36	Block ECO50 W Top	1046074	1	
37	Power Plug ECO50 W Top	1045168	1	
38	Coverplate ECO50 W Top	1041646	1	
39	Screw MC6S M6x12	610412	1	Loctite 2400
40	Screw MC6S M4x10	610523	3	Loctite 2400
41	Clamping washer	1045180	1	
42	Attachment block ECO50 W Top	1041645	1	
43	Screw MC6S M5x30	610403	1	For ss10(SVAB) & Option 2 el.
44	Rubber steel clamp $\varnothing$ 16	6000009	1	For ss10(SVAB) & Option 2 el.
45	Hex Nut M5 Lock	610920	1	For ss10(SVAB) & Option 2 el.

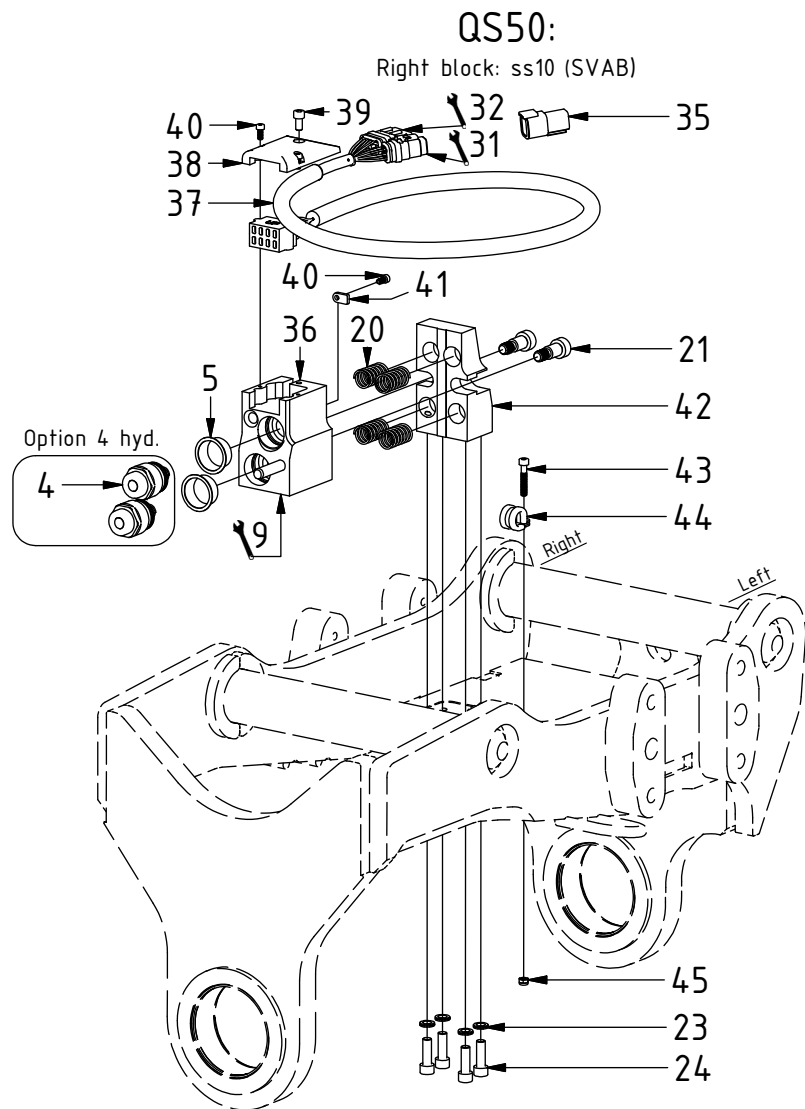




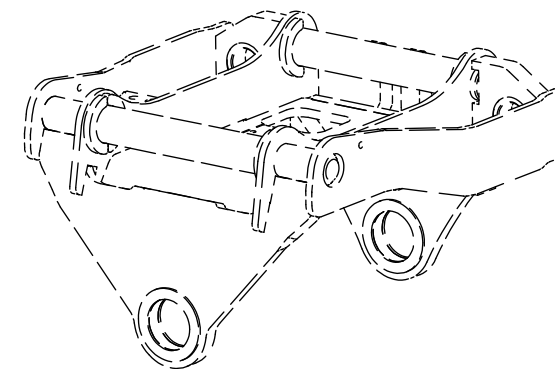


POS	DESCRIPTION	PART	QTY	COMMENTS
4	Coupling ECO45/50 3/8" male	1028873	2	
9	Adapters according to Top part			See "Top part"
20	Spring 18x35	1024794	4	
21	Reamed bolt $\varnothing$ 12x16/M10	611708	2	Loctite 2700
23	Washer NL8	611040	4	
24	Screw MC6S M8x25	610434	4	
31	6P, for ePS connect to ePS-cable			See "Control system" (cables)
36	Block ECO50 W Top	1046074	1	
37	Power Plug ECO50 W Top	1045168	1	
38	Coverplate ECO50 W Top	1041646	1	
39	Screw MC6S M6x12	610412	1	Loctite 2400
40	Screw MC6S M4x10	610523	3	Loctite 2400
41	Clamping washer	1045180	1	
42	Attachment block ECO50 W Top	1041645	1	
43	Screw MC6S M5x30	610403	1	For ss10(SVAB) & Option 2 el.
44	Rubber steel clamp $\varnothing$ 16	6000009	1	For ss10(SVAB) & Option 2 el.
45	Hex Nut M5 Lock	610920	1	For ss10(SVAB) & Option 2 el.





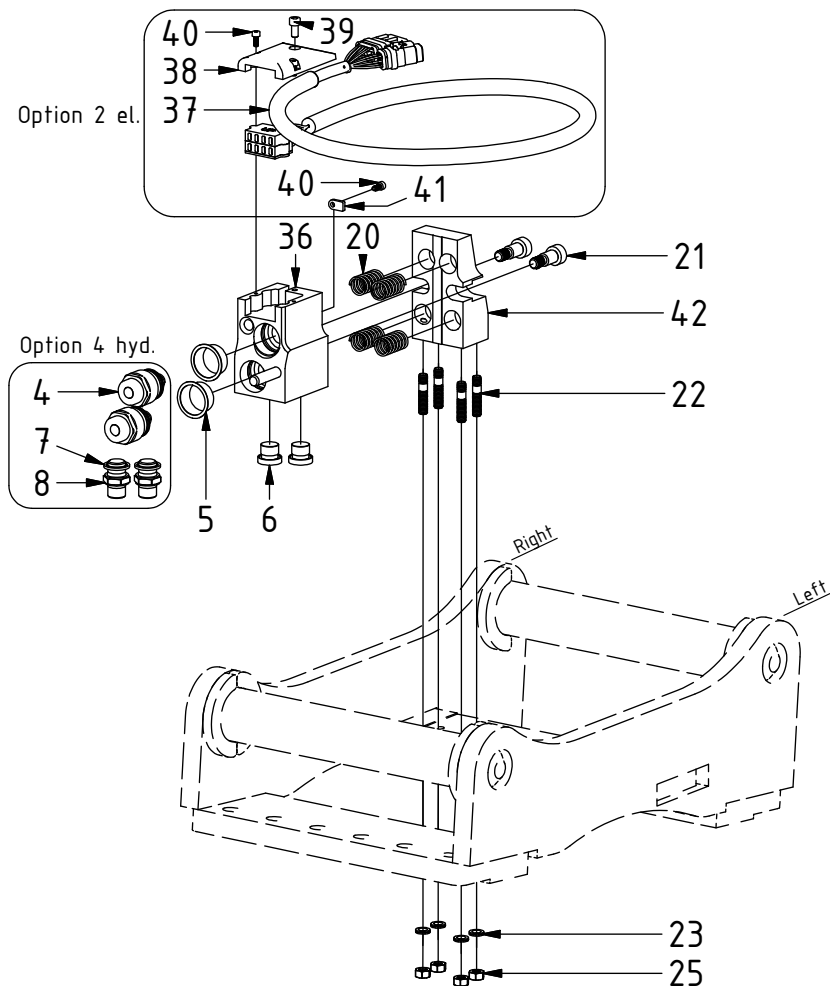
POS	DESCRIPTION	PART	QTY	COMMENTS
4	Coupling ECO45/50 3/8" male	1028873	2	
5	Protection plug ECO45/50 Top	7000152	2	
9	Adapters according to Top part			See "Top part"
20	Spring 18x35	1024794	4	
21	Reamed bolt $\varnothing$ 12x16/M10	611708	2	Loctite 2700
23	Washer NL8	611040	4	
24	Screw MC6S M8x25	610434	4	
31	6P, for ePS connect to ePS-cable			See "Control system" (cables)
32	12P, connect to adapter cable			See "Control system" (cables)
35	Protection plug 6P	8000090	1	When 6P is not used
36	Block ECO50 W Top	1046074	1	
37	Power Plug ECO50 W Top	1045168	1	
38	Coverplate ECO50 W Top	1041646	1	
39	Screw MC6S M6x12	610412	1	Loctite 2400
40	Screw MC6S M4x10	610523	3	Loctite 2400
41	Clamping washer	1045180	1	
42	Attachment block ECO50 W Top	1041645	1	
43	Screw MC6S M5x30	610403	1	For ss10(SVAB) & Option 2 el.
44	Rubber steel clamp $\varnothing$ 16	6000009	1	For ss10(SVAB) & Option 2 el.
45	Hex Nut M5 Lock	610920	1	For ss10(SVAB) & Option 2 el.



# Top ECO45/50 W

## QS50:

Right block: Top bracket Option 2Bl.



POS	DESCRIPTION	PART	QTY	COMMENTS
4	Coupling ECO45/50 3/8" male	1028873	2	
5	Protection plug ECO45/50 Top	7000152	2	
6	Plug 70125-06 (3/8")	711504	2	Used with POS.5
7	Sealing washer 3/8"	710703	2	
8	Adapter 136-06-06 (3/8")	710106	2	
20	Spring 18x35	1024794	4	
21	Reamed bolt $\varnothing$ 12x16/M10	611708	2	Loctite 2700
22	Stud bolt 8x30	611185	4	Loctite 2700
23	Washer NL8	611040	4	
25	Nut steel M8	611187	4	
36	Block ECO50 W Top	1046074	1	
37	Power Plug ECO50 W Top	1045168	1	
38	Coverplate ECO50 W Top	1041646	1	
39	Screw MC6S M6x12	610412	1	Loctite 2400
40	Screw MC6S M4x10	610523	3	Loctite 2400
41	Clamping washer	1045180	1	
42	Attachment block ECO50 W Top	1041645	1	

