

## COVERSHEET

### Planned document changes:

**Briefly:**

---

No planned changes.

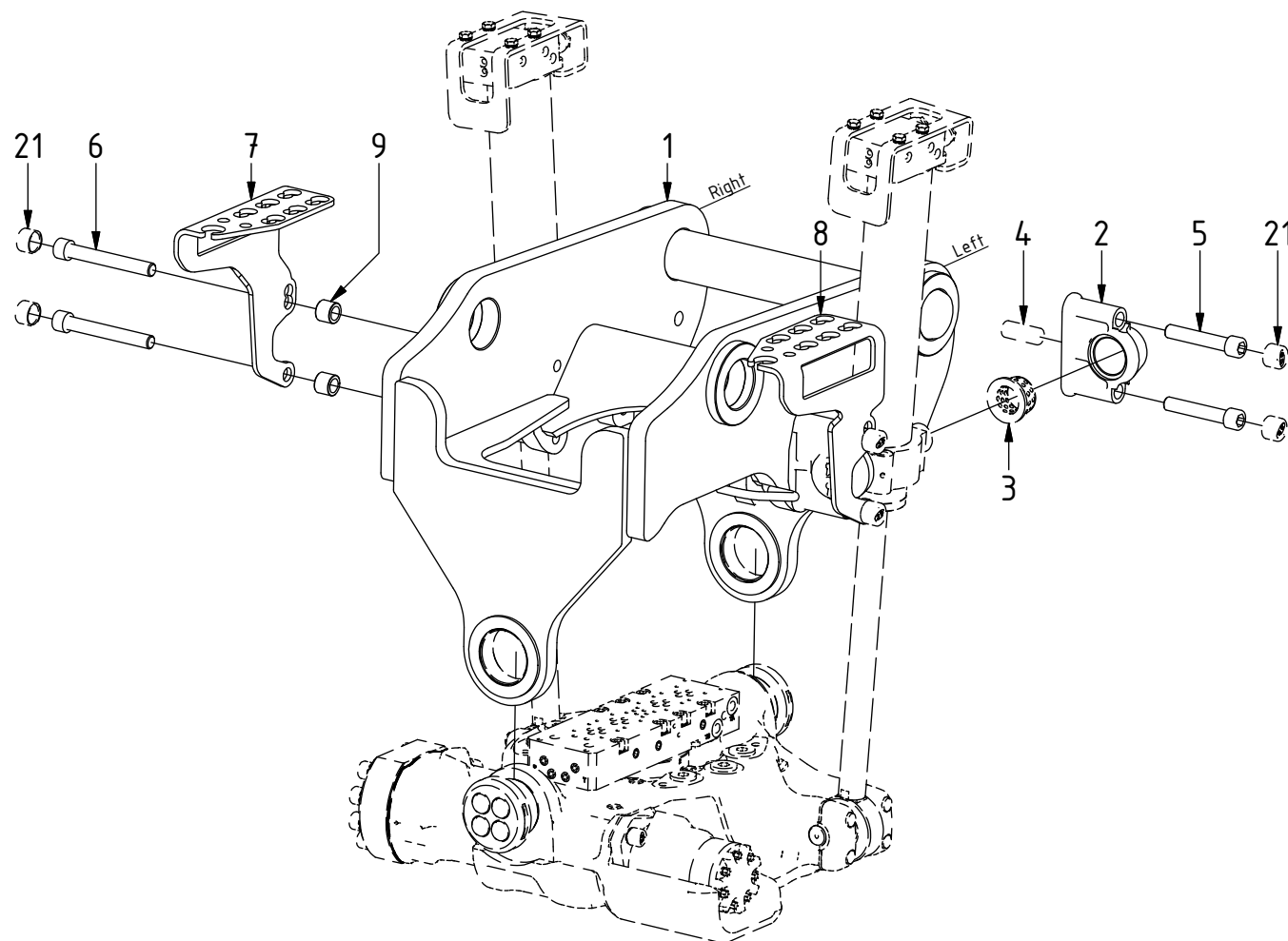
### Document changes:

<b>Date:</b>	<b>Change:</b>	<b>Rev. after change:</b>
2018-11-14	Parts list updated.	A
2018-11-09	New instruction.	-

# EC209 - SW33 Top part

POS	DESCRIPTION	PART	QTY	COMMENTS
1	Top part SW33	1038556	1	
2	Yoke bracket	1023212	4	(POS.3-4 included)
3	Bushing BWG-F 35/45/55/5x30	631003	4	
4	Cylindrical pin CPK $\varnothing$ 20x50	650211	4	
5	Screw MC6S 16x90	610530	4	
6	Screw MC6S 16x120	610534	4	
7	Hose terminal 8-hoses Right V2	1047138	1	
8	Hose terminal 8-hoses Left V2	1047137	1	
9	Spacer terminal	1023777	4	
21	Screw Cover M16	611302	8	

POS in order of assembly



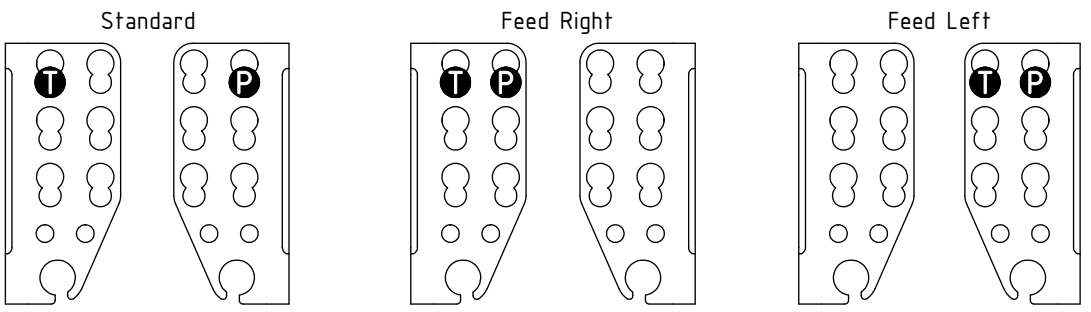
# EC209 - SW33 Top part

Drawing No: 1044814 /A

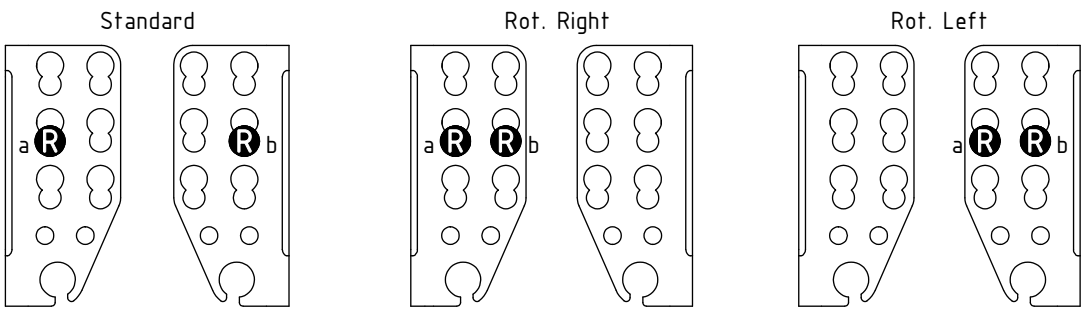
- P** = 10
- T** = 10
- R** = 10
- L** = 14
- filt** = 15

## FEED:

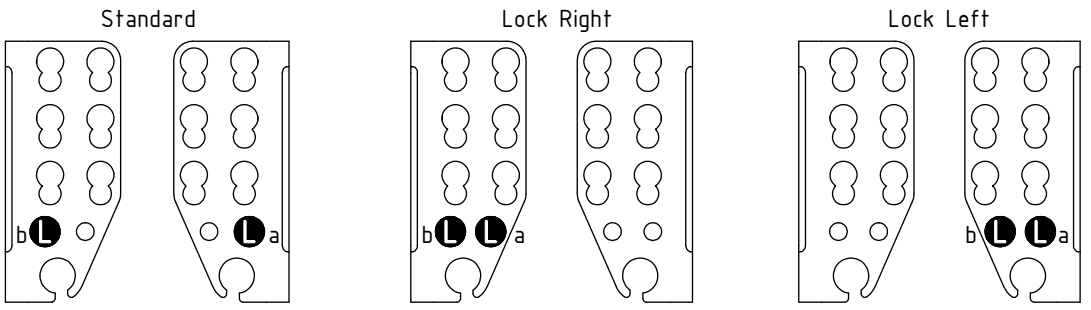
### Main feed



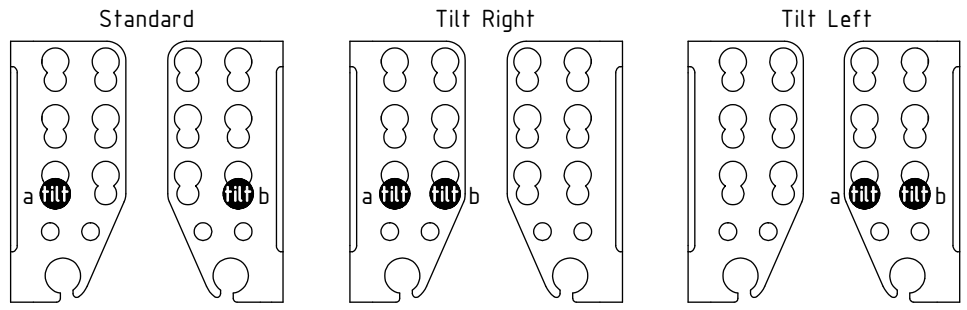
### Rotation



### Lock (SQ)



### Tilt (ST)



POS	DESCRIPTION	PART	QTY	COMMENTS
10	Use washer, adapter, nut according to POS.11, 12, 13			QTY depends on terminal holes (2-4)
11	Washer NL 16mm	611044	2	
12	Adapter 1260-06-32 (3/8")	710242	2	
13	Check nut 1270-06 (3/8")	710252	2	
14	Use washer, adapter, nut according to POS.16, 17, 19			QTY depends on terminal holes (2-4)
15	Use washer, adapter, o-ring, nut according to POS.16, 17, 18, 19			QTY depends on terminal holes (2-4)
16	Washer NL 1/2"	611096	2	
17	Adapter 1260-04-04 (1/4")	710240	2	
18	O-ring 12,37x2,62	710961	2	
19	Check nut 1270-04 (1/4")	710250	2	
20	Attach feed hoses from control system			(a & b represents channel on feed block)

POS in order of assembly

Dashed lines for overview, mounts on other pages/assemblies. indicates instruction. represents hose.

# EC209 - SW33 Top part

POS	DESCRIPTION	PART	QTY	COMMENTS
20	Attach feed hoses from control system			(a & b represents channel on feed block)

POS in order of assembly

