

COVERSHEET

Planned document changes:

Briefly:

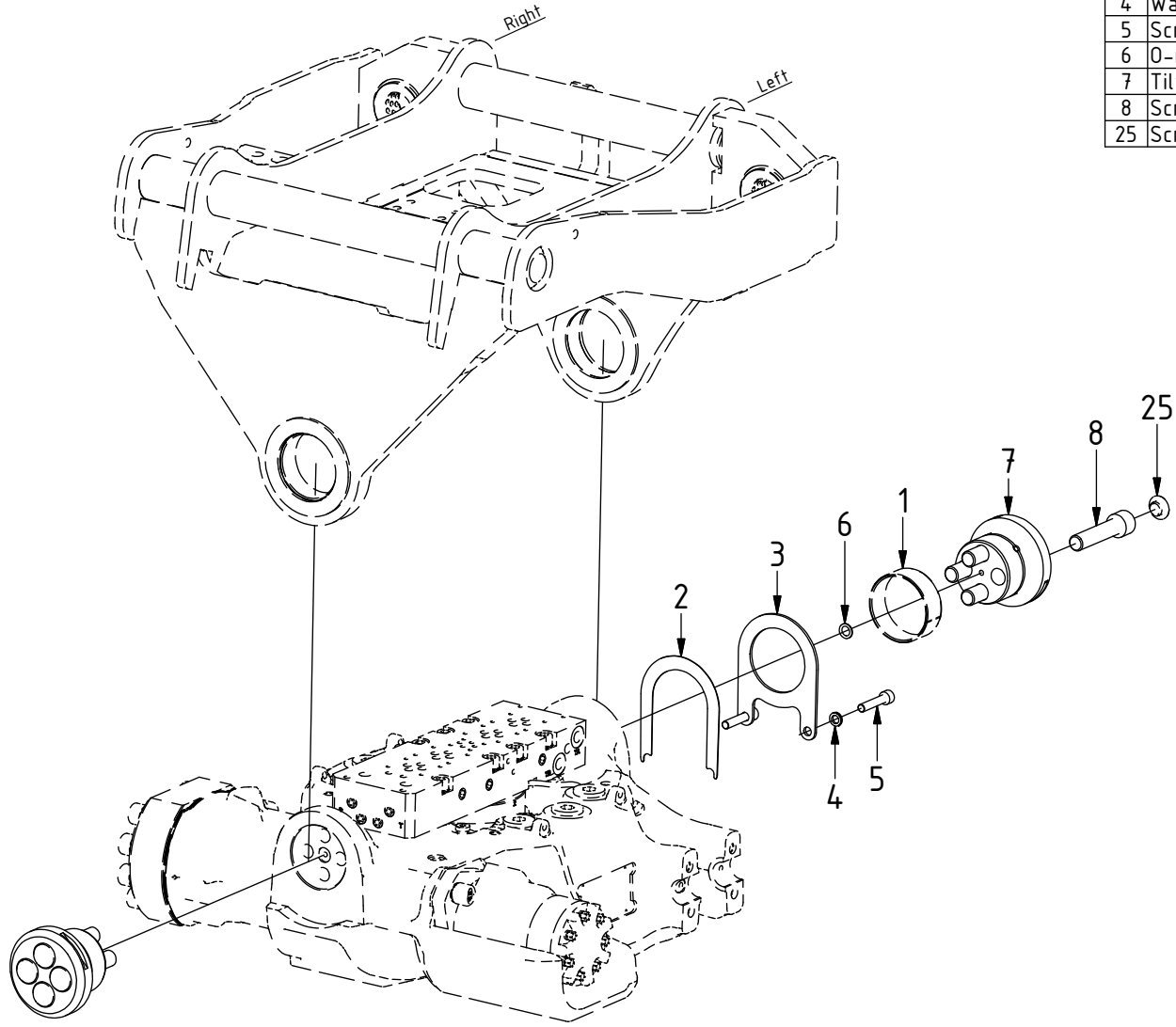
No planned changes.

Document changes:

Date:	Change:	Rev. after change:
2020-09-28	Adapters for tilt hose UNI updated.	E
2019-09-24	Tilt hoses updated.	D
2018-11-08	Tilt hoses for EC-Oil added.	C
2018-02-22	Photos replaced.	B
2017-12-22	Parts list corrected.	A
2017-11-09	New instruction.	-

EC209 - Std Top part components

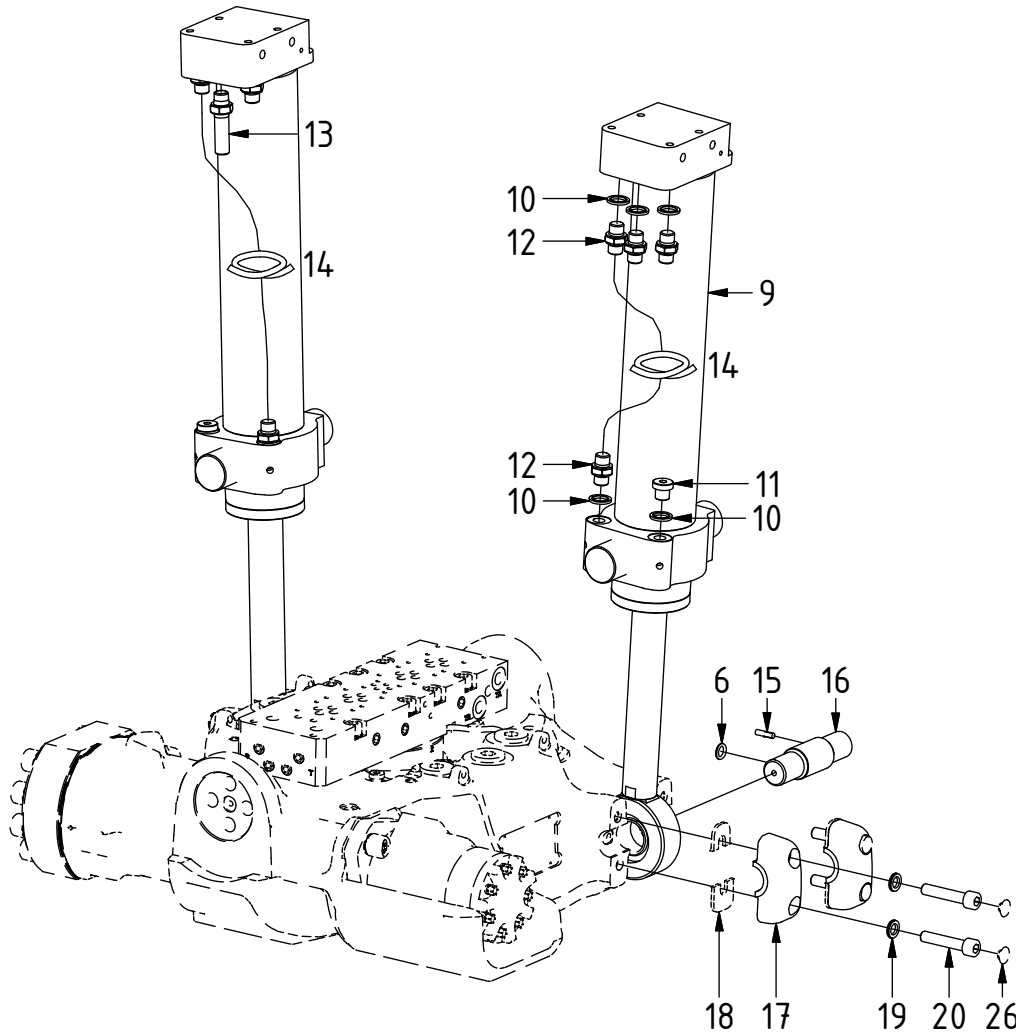
POS	DESCRIPTION	PART	QTY	COMMENTS
1	Bushing $\varnothing 65/70 \times 25$	630322	2	(Included in Top part)
2	Shims tilt axle	1016499	4	Use if required
3	Tilt axial washer	1016461	1	
4	Washer NL8	611040	12	
5	Screw MC6S 8x40 12.9 ZFSL	6000145	2	
6	O-ring 9,92x2,62	710968	4	
7	Tilt axle EC206, EC209	1016460	2	
8	Screw MC6S 16x70	610526	8	Torque: 333Nm
25	Screw Cover M16 Cast yoke	1004801	8	Part of make up



EC209 - Std Top part components

POS	DESCRIPTION	PART	QTY	COMMENTS
6	O-ring 9,92x2,62	710968	4	
9	Tilt cylinder	1041412	2	See "Tilt cylinders"
10	Washer GBR04 1/4	710702	10	
11	Plug 1/4"	711505	2	
12	Adapter 1/4"	710135	8	QTY: 6 for UNI
13	Adapter 1260-04-40 (1/4")	710261	2	For UNI (middle adapters)
14	Hose Tilt Short	742816	2	
15	Slotted pin RPE 5x20	640413	2	
16	Cylinder axle	1016458	2	
17	Clamping half Complete	1022942	4	(POS.18 included)
18	Rubber spacer clamping half	1016465	4	
19	Washer NL10	611041	8	
20	MC6S M10x50 12.9 Geomet	611515	9	
26	Screw Cover M10 Clamping half	1021468	8	Part of make up

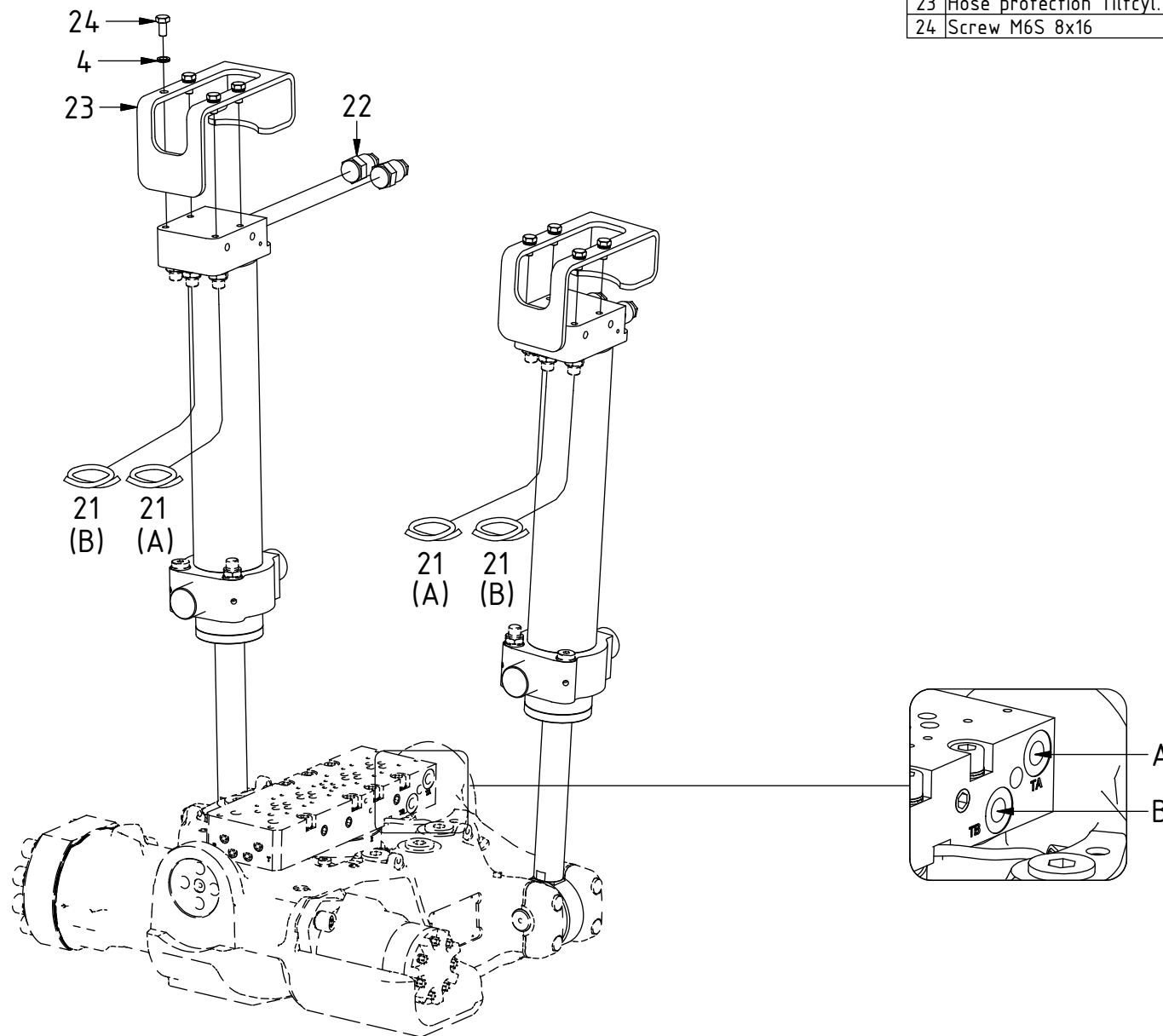
POS in order of assembly



EC209 - Std Top part components

TILT

POS	DESCRIPTION	PART	QTY	COMMENTS
4	Washer NL8	611040	12	
21	Hose Tilt Long	7000791	4	
22	Overcentre valve 10:1 adjustable	730269	4	Torque: 45Nm
23	Hose protection Tiltcyl.	1003774	2	
24	Screw M6S 8x16	610122	8	



EC209 - Std Top part components

POS	DESCRIPTION	PART	QTY	COMMENTS
14	Hose Tilt Short	742816	2	
21	Hose Tilt Long	7000791	4	

POS in order of assembly

