

COVERSHEET

Planned document changes:

Briefly:

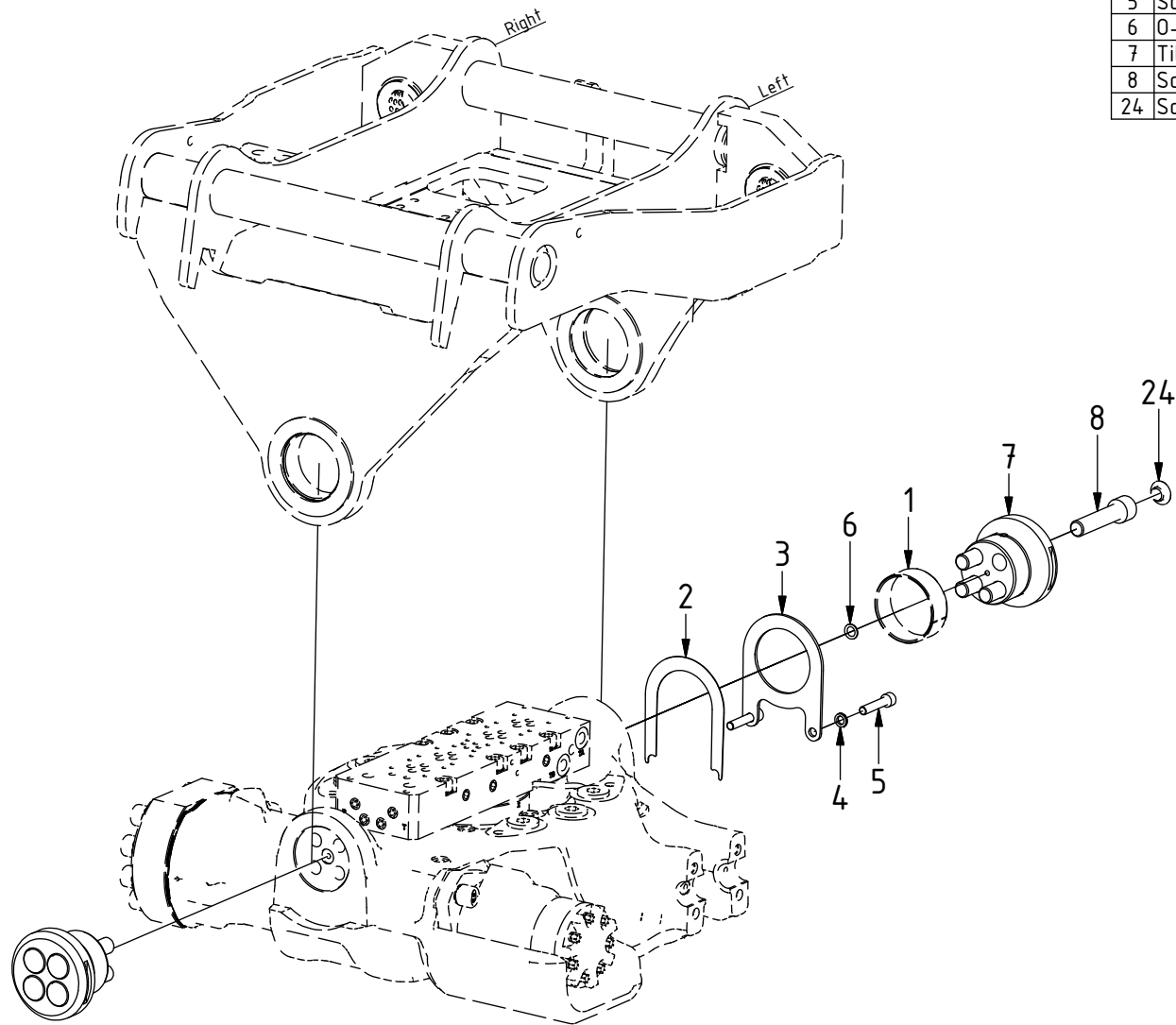
No planned changes.

Document changes:

Date:	Change:	Rev. after change:
2018-02-22	Photos replaced.	B
2017-12-22	Item number corrected.	A
2017-11-09	New instruction.	-

EC209 - Std Top part components

POS	DESCRIPTION	PART	QTY	COMMENTS
1	Bushing $\varnothing 65/70 \times 25$	630322	2	(Included in Top part)
2	Shims tilt axle	1016499	4	Use if required
3	Tilt axial washer	1016461	1	
4	Washer NL8	611040	10	
5	Screw MC6S 8x40	610437	2	
6	O-ring 9,92x2,62	710968	4	
7	Tilt axle EC206, EC209	1016460	2	
8	Screw MC6S 16x70	610526	8	Torque: 333Nm
24	Screw Cover M16 Cast yoke	1004801	8	Part of make up

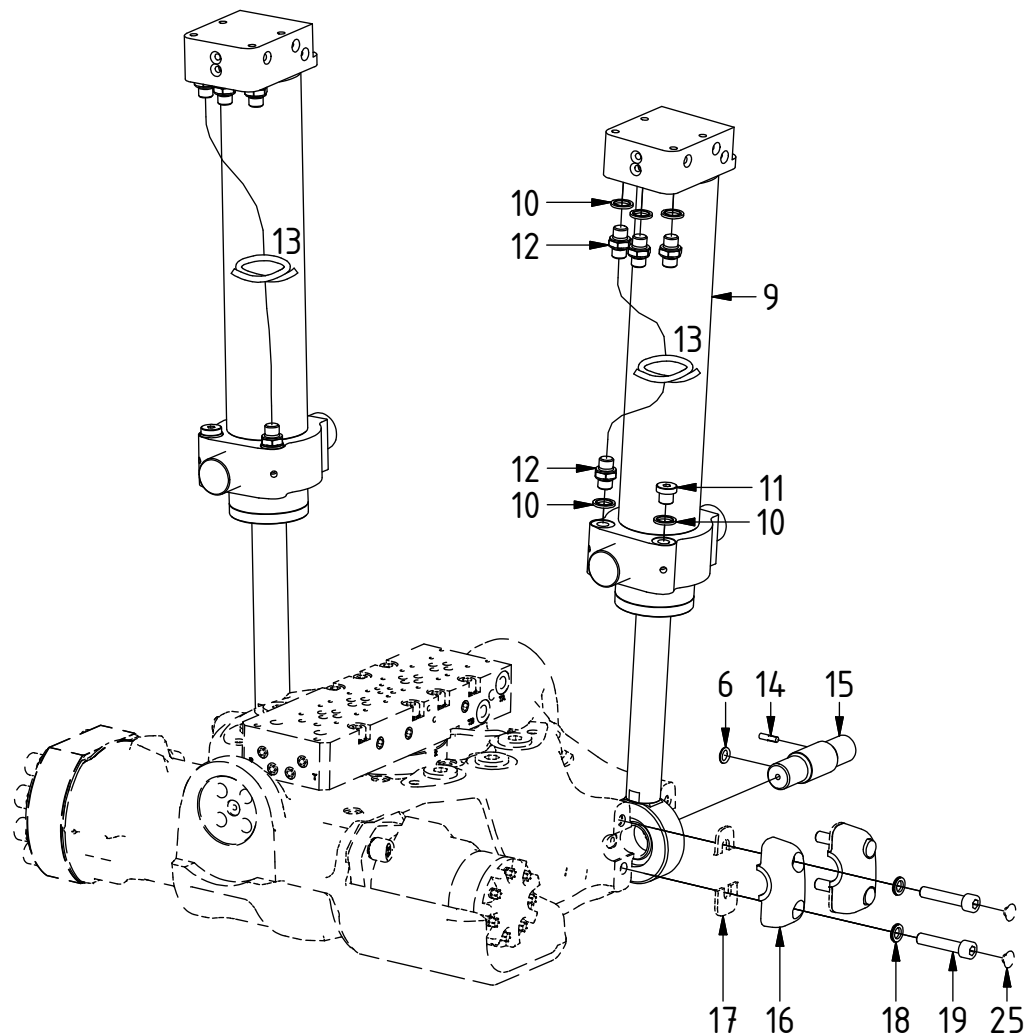


EC209 - Std Top part components

Drawing No: 1044809 /B

POS	DESCRIPTION	PART	QTY	COMMENTS
6	O-ring 9,92x2,62	710968	4	
9	Tilt cylinder	1041412	2	See "Tilt cylinders"
10	Sealing washer 1/4"	710702	10	
11	Plug 1/4"	711505	2	
12	Adapter 1/4"	710135	8	
13	Hose Tilt (cylinder)	742816	2	
14	Slotted pin RPE 5x20	640413	2	
15	Cylinder axle	1016458	2	
16	Clamping half Complete	1022942	4	(POS.17 included)
17	Rubber spacer clamping half	1016465	4	
18	Washer NL10	611041	8	
19	Screw MC6S 10x50	610457	8	Torque: 79Nm
25	Screw Cover M10 Clamping half	1021468	8	Part of make up

POS in order of assembly



Dashed lines for overview, mounts on other pages/assemblies. indicates instruction. represents hose.

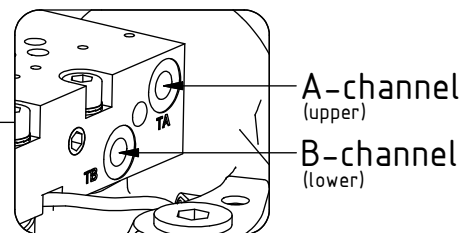
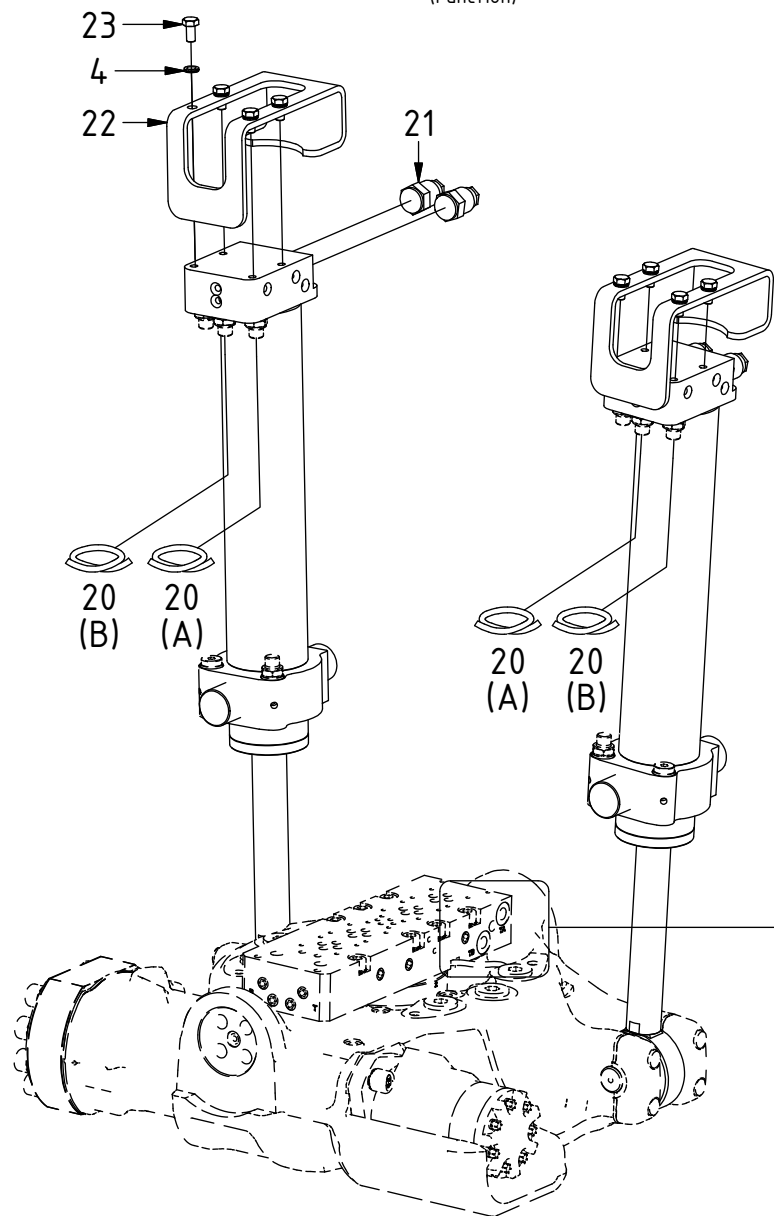
EC209 - Std Top part components

Drawing No: 1044809 /B

POS in order of assembly

POS	DESCRIPTION	PART	QTY	COMMENTS
4	Washer NL8	611040	10	
20	Hose Tilt	7000416	4	
21	Overcentre valve 10:1 adjustable	730269	4	Torque: 45Nm
22	Hose protection Tiltcyl.	1003774	2	
23	Screw M6S 8x16	610122	8	

TILT:
(Function)



EC209 - Std Top part components

POS	DESCRIPTION	PART	QTY	COMMENTS
13	Hose Tilt (cylinder)	742816	2	
20	Hose Tilt	7000416	4	

POS in order of assembly

