

COVERSHEET


Planned document changes:

Briefly:

Torque for powerplug cable gland: 6Nm.

Document changes:

Date:	Change:	Rev. after change:
2023-02-06	New ECO std. configurations from 2023.	K
2022-06-20	Spare parts updated.	J
2021-10-04	Part no for lubrication kit corrected.	I
2020-12-01	Alternative adapter for lock hose added.	H
2020-05-13	ECO couplings replaced. DC2 option 5hyd added.	G
2019-12-09	Layout/irrelevant.	F
2019-11-13	ECO "HF" added. ePS cables added. Atlas Höglandet added.	E
2018-08-29	DC2 Machine cable replaced.	D
2018-06-21	New lock hoses added.	C
2018-02-28	Layout/irrelevant.	B
2018-01-04	ECO photos corrected.	A
2017-11-28	New document.	-

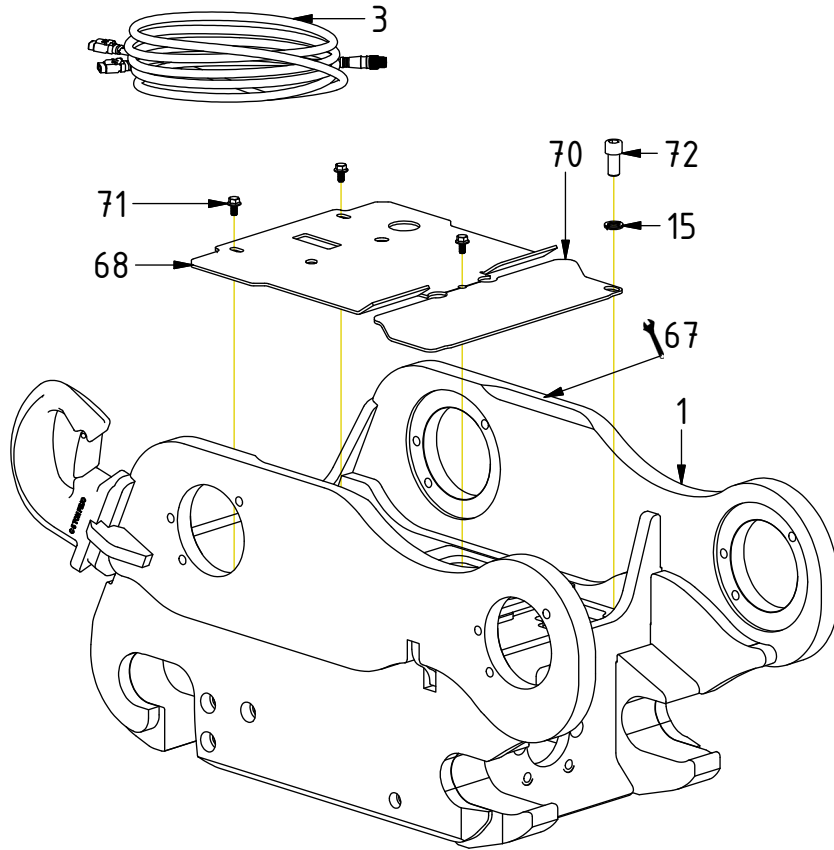
Readers note:
 Indicates instruction.

 Represents Hose.

Dashed lines for overview, mounts
on other pages/assemblies.

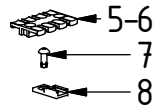
- 5-6
- 7
- 8
- 9
- 10

Without EC-Oil



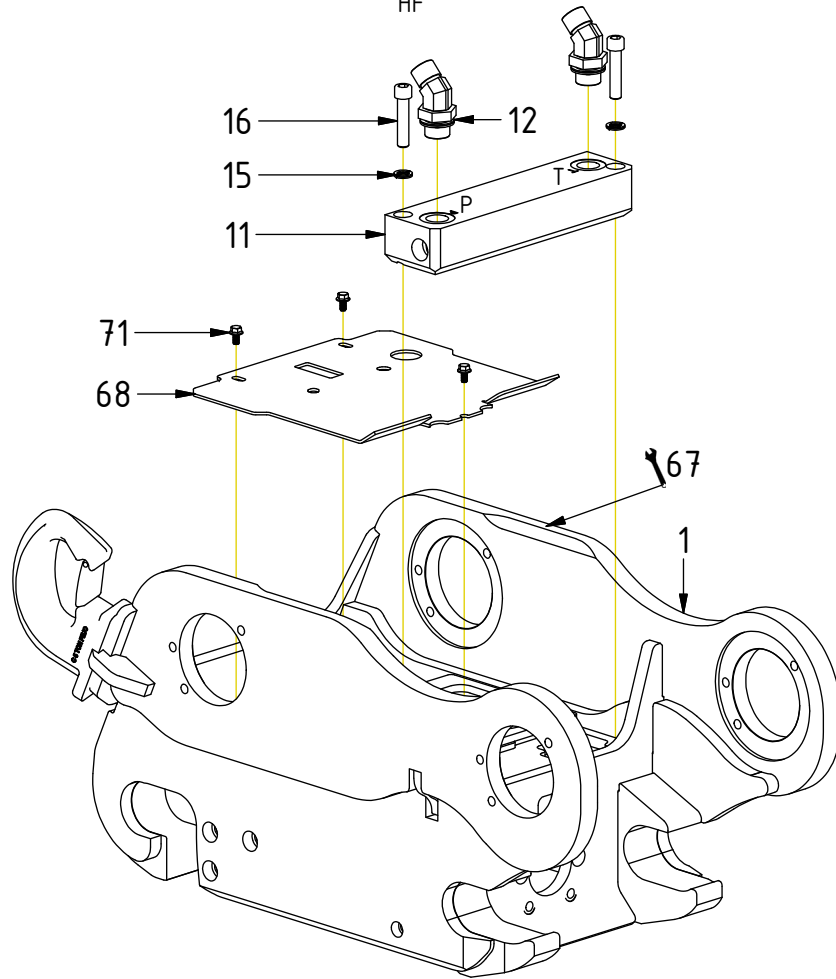
POS	DESCRIPTION	PART	QTY	COMMENTS
1	Quick hitch is selected via engcon			(Machine dependent)
3	Cable QS - QLM - Quick hitch	842149	1	Attach to QS sensors
5	Strain relief plate ZL60	8000703	1	
6	Strain relief plate ZL87	8000704	1	
7	Blind rivet 4,0x12,3 DIN7337	6000294	10	
8	Holder Deutsch coupling	810662	6	
9	Screw K6S M5x8 10.9 FZB	611801	1	QTY: 2 for ECO coverplate
10	Rubber steel clamp ø6	6000027	1	
15	Washer NL 12mm	611042	1	QTY: 2 for ECO "HF"
67	Punch serial number into hitch			
68	Coverplate V4 - ECO HF & w/o ECO	1052669	1	
70	Coverplate V4 - w/o HF & w/o ECO	1055335	1	
71	Screw M6SF 8x12H Riffled	6000120	3	QTY: 2 for ECO w/o "HF"
72	Screw MC6S M12x25 12.9 ZFSHL	6000164	1	

POS in order of assembly



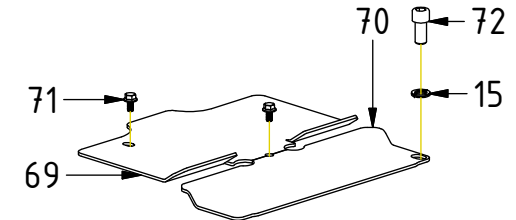
EC-Oil

"HF"



POS	DESCRIPTION	PART	QTY	COMMENTS
1	Quick hitch is selected via engcon			(Machine dependent)
2	For Atlas Höglandets			See p.13 for instruction
5	Strain relief plate ZL60	8000703	1	
6	Strain relief plate ZL87	8000704	1	
7	Blind rivet 4,0x12,3 DIN7337	6000294	10	
8	Holder Deutsch coupling	810662	6	
11	Connection block QS60 ECO W "HF"	1052639	1	For ECO "HF" (Not compatible with ss9)
12	Adapter 45° 402-12-12 (3/4")	712220	2	
15	Washer NL 12mm	611042	1	QTY: 2 for ECO "HF"
16	Screw MC6S M12x55 12.9 ZFSLH	6000155	2	
67	Punch serial number into hitch			
68	Coverplate V4 - ECO HF & w/o ECO	1052669	1	
69	Coverplate V4 - ECO w/o HF	1054935	1	
70	Coverplate V4 - w/o HF & w/o ECO	1055335	1	
71	Screw M6SF 8x12H Riffled	6000120	3	QTY: 2 for ECO w/o "HF"
72	Screw MC6S M12x25 12.9 ZFSLH	6000164	1	

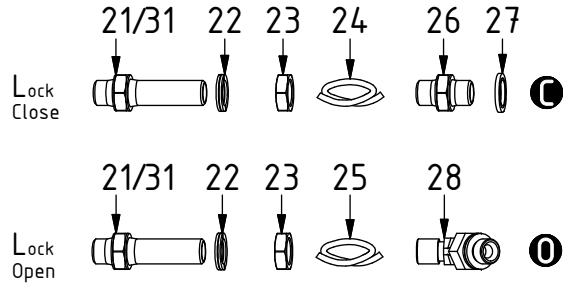
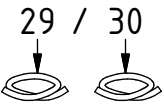
Without "HF"



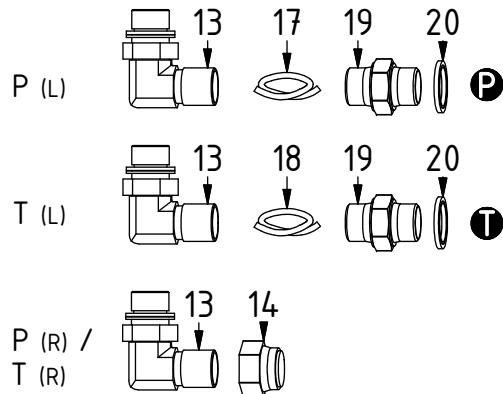
POS in order of assembly

Hoses

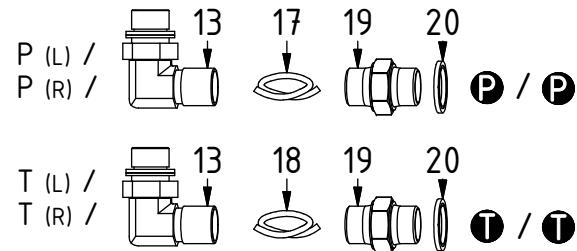
Liebherr / Lännen:



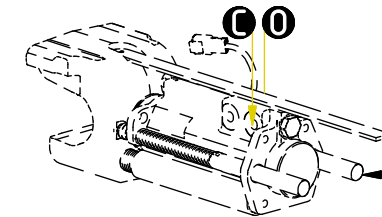
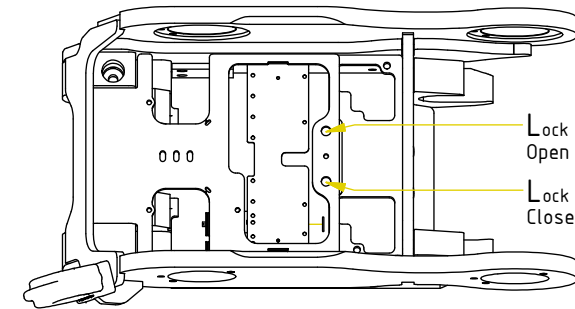
EC-Oil "HF" 1bl.



EC-Oil "HF" 2bl.

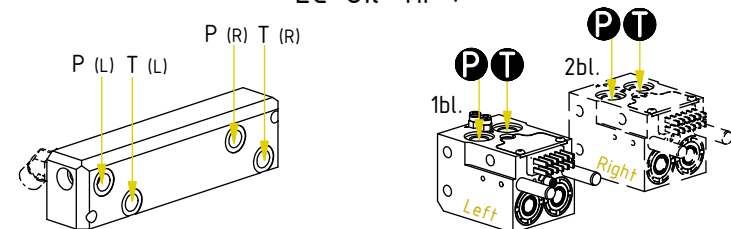


POS	DESCRIPTION	PART	QTY	COMMENTS
2	For Atlas Högländets			See p.13 for instruction
13	Adapter 401-08-08 90° (1/2")	710156	4	
14	Protective Bonnet 155-08 (1/2")	711627	2	
17	Hose Long Connect.block ECO60W	7000955	1	QTY: 2 for 2bl.
18	Hose Short Connect.block ECO60W	7000956	1	QTY: 2 for 2bl.
19	Adapter 136-08-08 (1/2")	710108	2	QTY: 4 for 2bl.
20	Washer GBR08 1/2	710704	2	QTY: 4 for 2bl.
21	Adapter 1260-04-40 (1/4")	710261	2	
22	Washer NL 1/2"	611096	2	
23	Counternut 1270-04 (1/4")	710250	2	
24	Hose Lock Close	7000954	1	
25	Hose Lock Open	7000953	1	
26	Adapter 138-04-29 (1/4")	710135	1	
27	Washer GBR04 1/4	710702	1	
28	Adapter 45° 402-04-04(1/4")	7000104	1	
29	Hose Lock 2 - Liebherr	7001231	2	For Liebherr, add this to POS.21
30	Hose Lock 2 - Lännen		2	For Lännen, add this to POS.21
31	Alternative adapter 90° 1264-04-04	7000847	2	For colliding insert/weld. See p.13

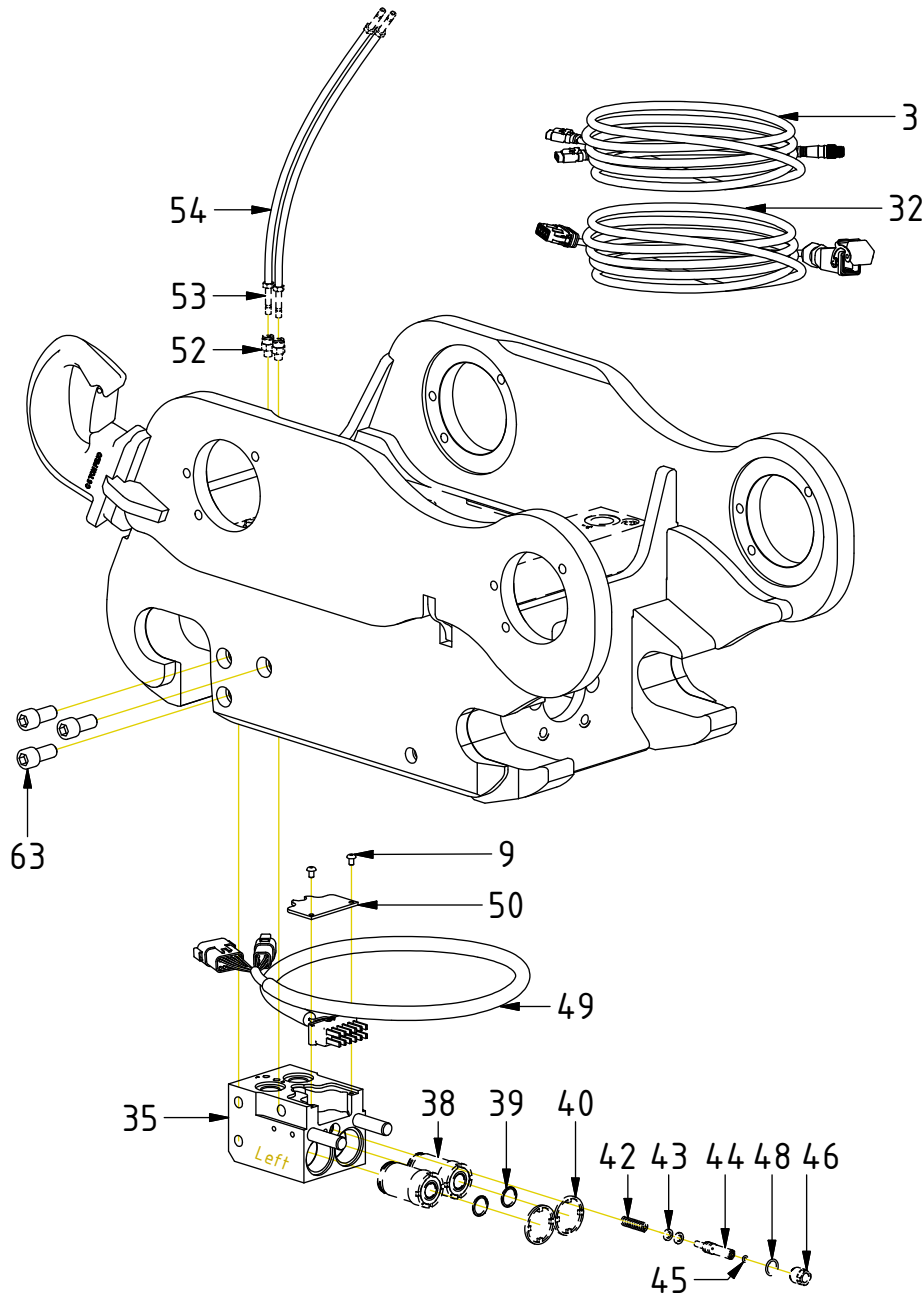


Exploded view
Std. Hitch components

EC-Oil "HF":

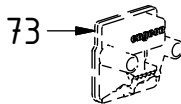
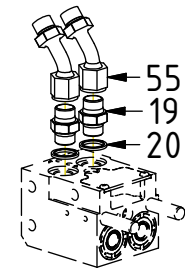


EC-Oil
DC2 Std. config.



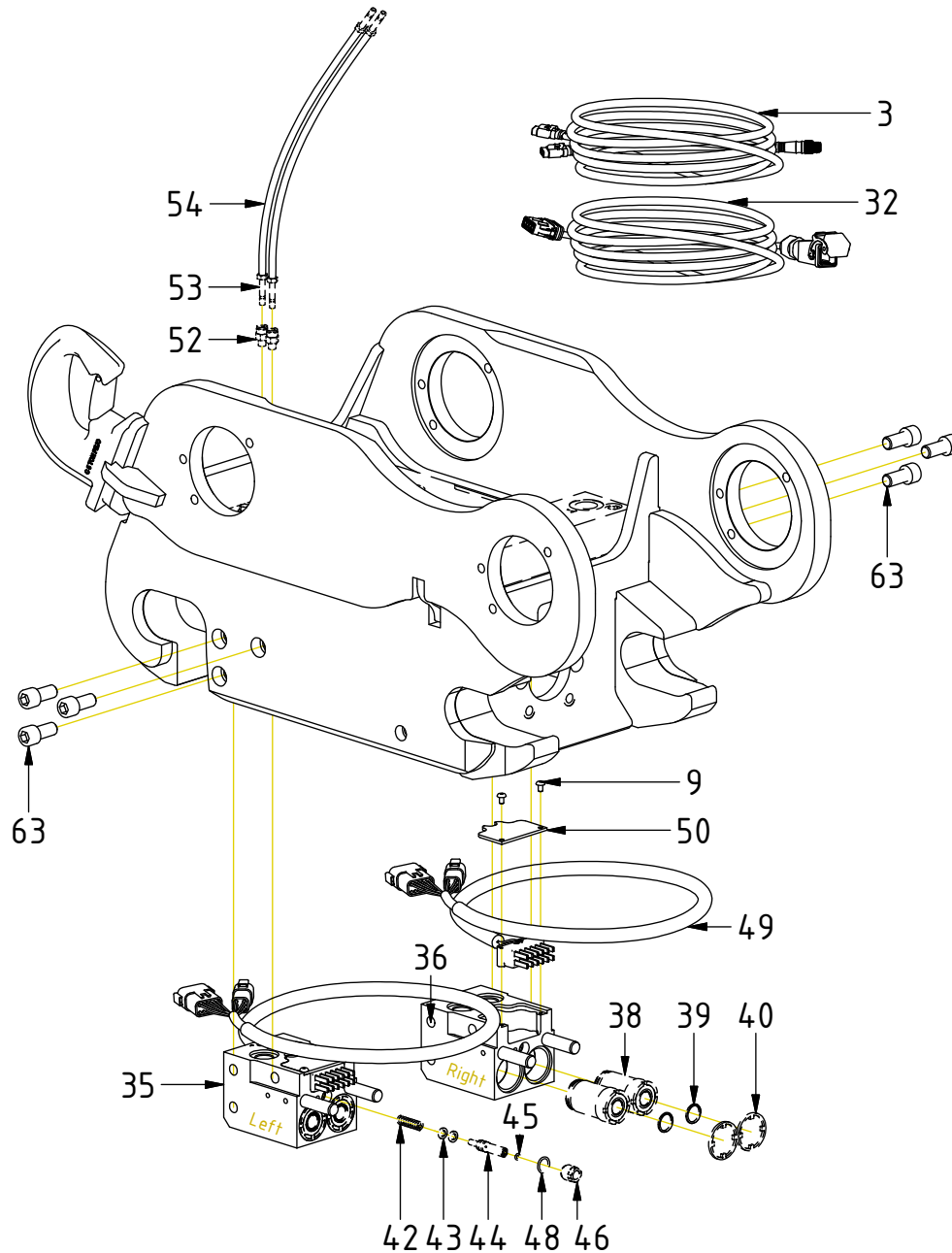
POS	DESCRIPTION	PART	QTY	COMMENTS
2	For Atlas Höglandets			See p.13 for instruction
3	Cable QS - QLM - Quick hitch	842149	1	Attach to QS sensors
9	Screw K6S M5x8 10.9 FZB	611801	1	QTY: 2 for ECO coverplate
19	Adapter 136-08-08 (1/2")	710108	2	QTY: 4 for 2bl.
20	Washer GBR08 1/2	710704	2	QTY: 4 for 2bl.
32	Machine cable ECO60 W DC2	1048528	1	Attach to 12P
35	Block ECO60W Hitch 2hy.1cl. Compl.	1055715	1	(POS.37-38, 40-41 incl.)
37	Block ECO60 W Hitch	1042480	1	
38	Coupling ECO W 1/2" V3	1054580	2	Torque: 60Nm. (POS.39 incl.)
39	Flat sealing for ECO W 1/2" V3	1050018	2	
40	Dirt protection block ECO 1/2"	1028229	4	
41	Lubrication kit ECO W V2	1050794	1	(POS.42-48 incl.)
42	Spring 6058	1024113	1	
43	Piston sealing KPOR130 12x7,1x2,2	1024112	2	(O-ring incl. with seal ring)
44	Grease piston	1024111	1	
45	O-ring 3,69x1,78	1024115	1	
46	Nut grease piston	1047688	1	Wrap with thread sealing tape
47	O-ring 9,25x1,78	712429	1	Located inside nut
48	O-ring 14x2	7000767	1	
49	Power plug ECO W Hitch	1042243	1	
50	Coverplate block ECO60 W Hitch	1041139	1	
51	Hose kit - lubricant ECO W	7000514	1	(POS.52-54 incl.)
52	Straight Push-in M8x1	790185	2	
53	Pipe stub straight Push-in	790175	2	
54	Hose 2m - lubricant ECO	790176	2	
55	Adapter 489-08-08 45° (1/2")	710166	2	QTY: 4 for 2bl. Loxeal 55-02
63	Screw MC6S M14x30 12.9 ZFSHL	6000197	3	Loxeal 83-52
73	Transport Protection ECO-Block	1047716	1	Part of make up

Without "HF":



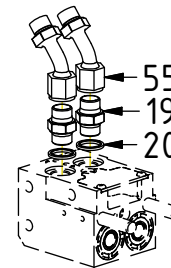
POS in order of assembly

EC-Oil
DC2 Option 2bl.

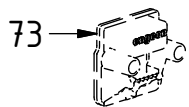
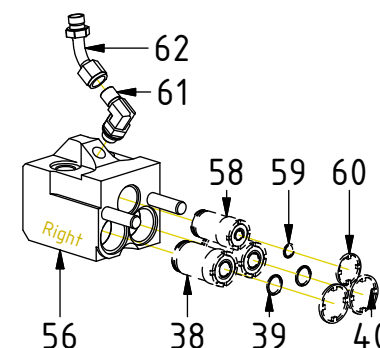


POS	DESCRIPTION	PART	QTY	COMMENTS
3	Cable QS - QLM - Quick hitch	842149	1	Attach to QS sensors
9	Screw K6S M5x8 10.9 FZB	611801	1	QTY: 2 for ECO coverplate
19	Adapter 136-08-08 (1/2")	710108	2	QTY: 4 for 2bl.
20	Washer GBR08 1/2	710704	2	QTY: 4 for 2bl.
32	Machine cable ECO60 W DC2	1048528	1	Attach to Left 12P
35	Block ECO60W Hitch 2hy.1cl. Compl.	1055715	1	(POS.37-38, 40-41 incl.)
36	Block ECO60W Hitch 2hy. Complete	1055716	1	(POS.37-38, 40 incl.)
37	Block ECO60 W Hitch	1042480	1	
38	Coupling ECO W 1/2" V3	1054580	2	Torque: 60Nm. (POS.39 incl.)
39	Flat sealing for ECO W 1/2" V3	1050018	2	
40	Dirt protection block ECO 1/2"	1028229	4	
41	Lubrication kit ECO W V2	1050794	1	(POS.42-48 incl.)
42	Spring 6058	1024113	1	
43	Piston sealing KPOR130 12x7,1x2,2	1024112	2	(O-ring incl. with seal ring)
44	Grease piston	1024111	1	
45	O-ring 3,69x1,78	1024115	1	
46	Nut grease piston	1047688	1	Wrap with thread sealing tape
47	O-ring 9,25x1,78	712429	1	Located inside nut
48	O-ring 14x2	7000767	1	
49	Power plug ECO W Hitch	1042243	1	
50	Coverplate block ECO60 W Hitch	1041139	1	
51	Hose kit - lubricant ECO W	7000514	1	(POS.52-54 incl.)
52	Straight Push-in M8x1	790185	2	
53	Pipe stub straight Push-in	790175	2	
54	Hose 2m - lubricant ECO	790176	2	
55	Adapter 489-08-08 45° (1/2")	710166	2	QTY: 4 for 2bl. Loxeal 55-02
56	Block ECO60W Hitch 3hy. Complete	1055717	1	(POS.38, 40, 57-58, 60 incl.)
57	Block ECO60 W 3-hyd Hitch	1047258	1	
58	Coupling ECO W 3/8" V3	1053029	1	(POS.59 incl.)
59	Flat sealing for ECO W 3/8" V3	1052976	1	
60	Dirt protection block ECO 3/8"	1028274	1	
61	Adapter 401-06-06 90° (3/8")	710152	1	
62	Adapter 489-06-06 45° (3/8")	710164	1	
63	Screw MC6S M14x30 12.9 ZFSL	6000197	3	Loxeal 83-52
73	Transport Protection ECO-Block	1047716	1	Part of make up

Without "HF":

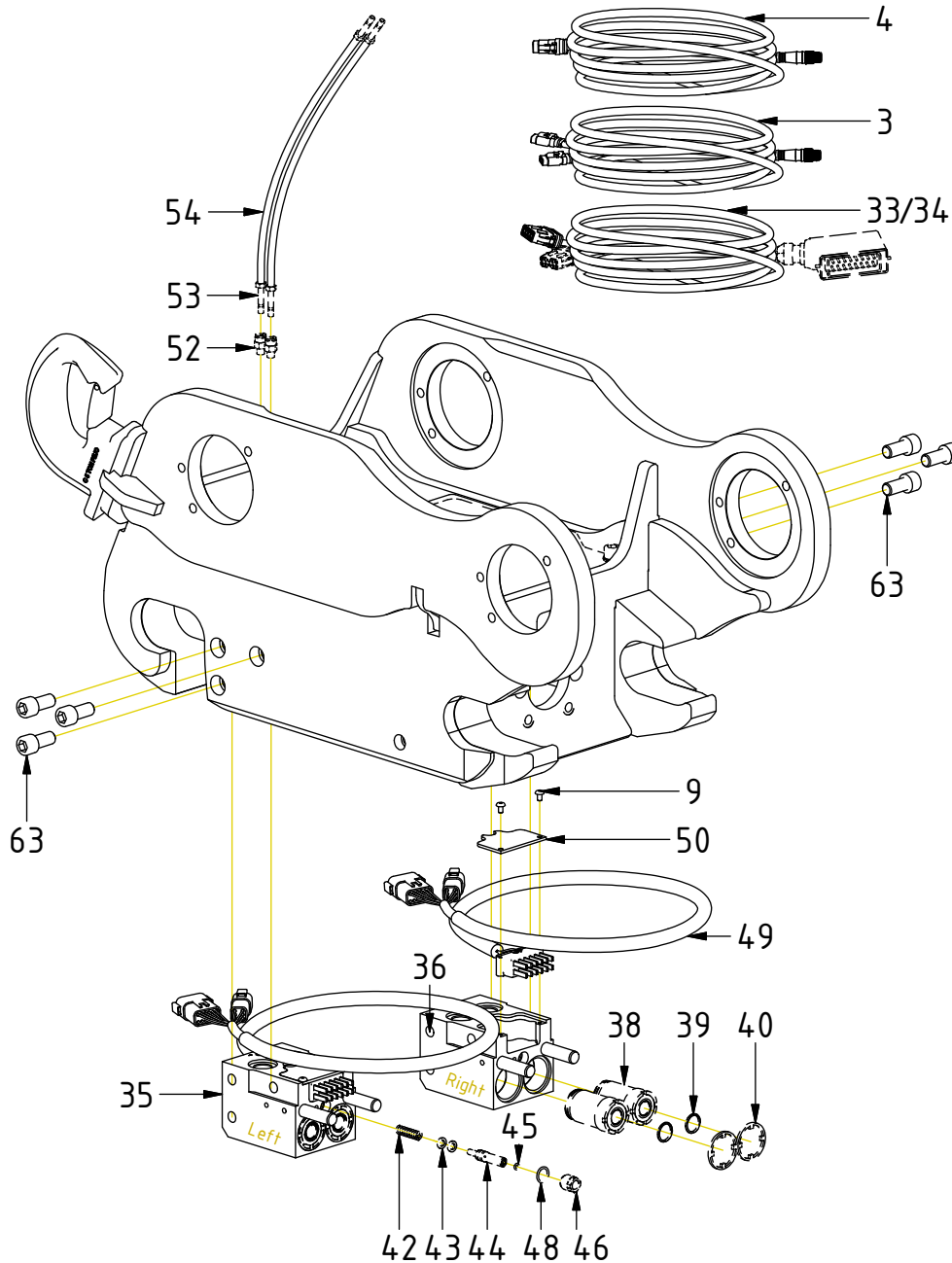


Option 5 hyd:



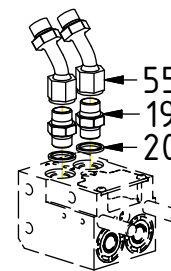
POS in order of assembly

EC-Oil
ss9 & ss10 (SVAB)

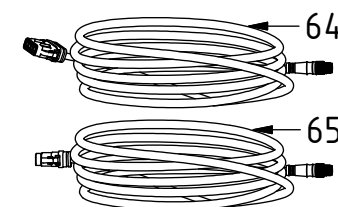


POS	DESCRIPTION	PART	QTY	COMMENTS
3	Cable QS - QLM - Quick hitch	842149	1	Attach to QS sensors
4	Cable QS - QLM - Tilt rotator	842148	1	Attach to Left 6P
9	Screw K6S M5x8 10.9 FZB	611801	1	QTY: 2 for ECO coverplate
19	Adapter 136-08-08 (1/2")	710108	2	QTY: 4 for 2bl.
20	Washer GBR08 1/2	710704	2	QTY: 4 for 2bl.
33	Machinecable ECO60W ss9-2 (1x 12P)	1036846	1	Attach to Left 12P
34	Machinecable ECO60W SVAB (2x 12P)	1029500	1	Attach to both 12P
35	Block ECO60W Hitch 2hy.1cl. Compl.	1055715	1	(POS.37-38, 40-41 incl.)
36	Block ECO60W Hitch 2hy. Complete	1055716	1	(POS.37-38, 40 incl.)
37	Block ECO60 W Hitch	1042480	1	
38	Coupling ECO W 1/2" V3	1054580	2	Torque: 60Nm. (POS.39 incl.)
39	Flat sealing for ECO W 1/2" V3	1050018	2	
40	Dirt protection block ECO 1/2"	1028229	4	
41	Lubrication kit ECO W V2	1050794	1	(POS.42-48 incl.)
42	Spring 6058	1024113	1	
43	Piston sealing KPOR130 12x7,1x2,2	1024112	2	(O-ring incl. with seal ring)
44	Grease piston	1024111	1	
45	O-ring 3,69x1,78	1024115	1	
46	Nut grease piston	1047688	1	Wrap with thread sealing tape
47	O-ring 9,25x1,78	712429	1	Located inside nut
48	O-ring 14x2	7000767	1	
49	Power plug ECO W Hitch	1042243	1	
50	Coverplate block ECO60 W Hitch	1041139	1	
51	Hose kit - lubricant ECO W	7000514	1	(POS.52-54 incl.)
52	Straight Push-in M8x1	790185	2	
53	Pipe stub straight Push-in	790175	2	
54	Hose 2m - lubricant ECO	790176	2	
55	Adapter 489-08-08 45° (1/2")	710166	2	QTY: 4 for 2bl. Loxeal 55-02
63	Screw MC6S M14x30 12.9 ZFSL	6000197	3	Loxeal 83-52
64	Cable ECO W Tiltanglesensor ss9-2	1047113	1	Attach to Right 12P
65	Cable ePS ECO W ss9,ss10(SVAB)	1042246	1	Attach to Right 6P
66	Cable ECO W Tiltanglesensor SVAB	1047111	1	L.Bl: WH>11. R.Bl: BR>1, BL>2, GR>11
73	Transport Protection ECO-Block	1047716	1	Part of make up

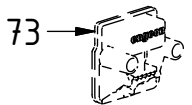
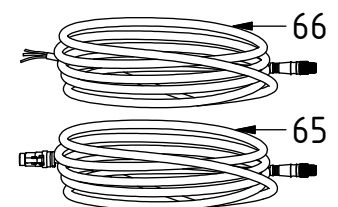
Without "HF":



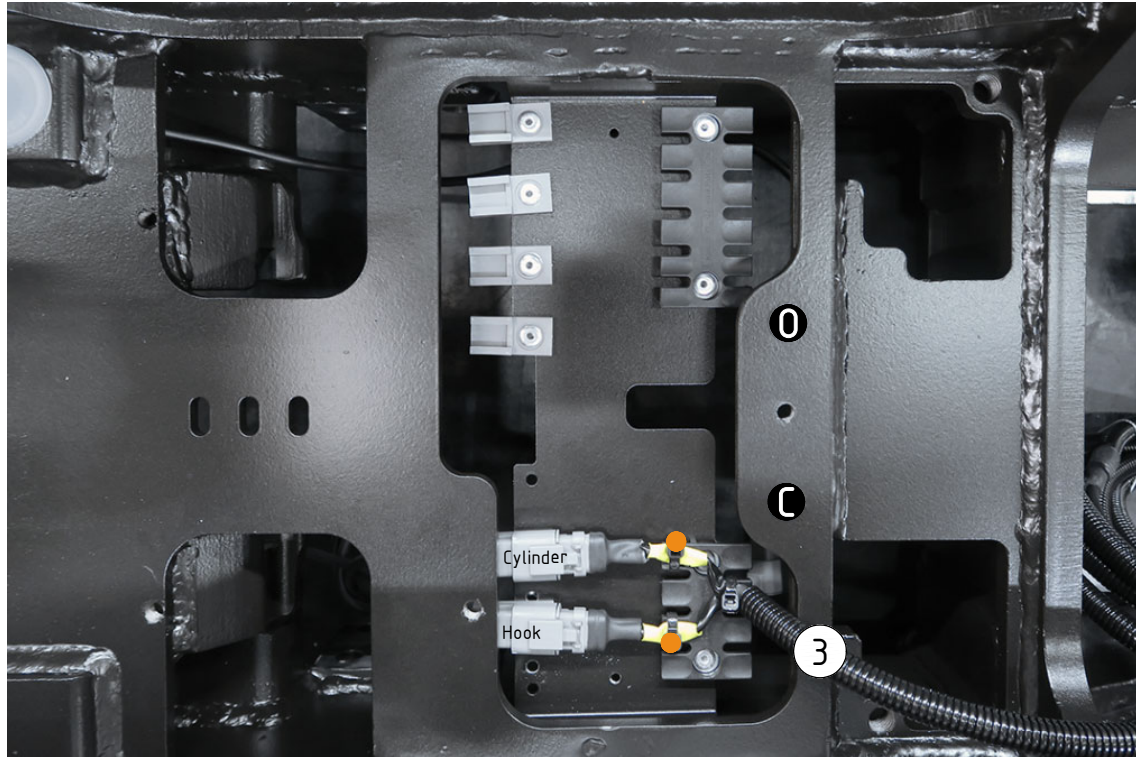
ePS ss9:



ePS ss10 (SVAB):

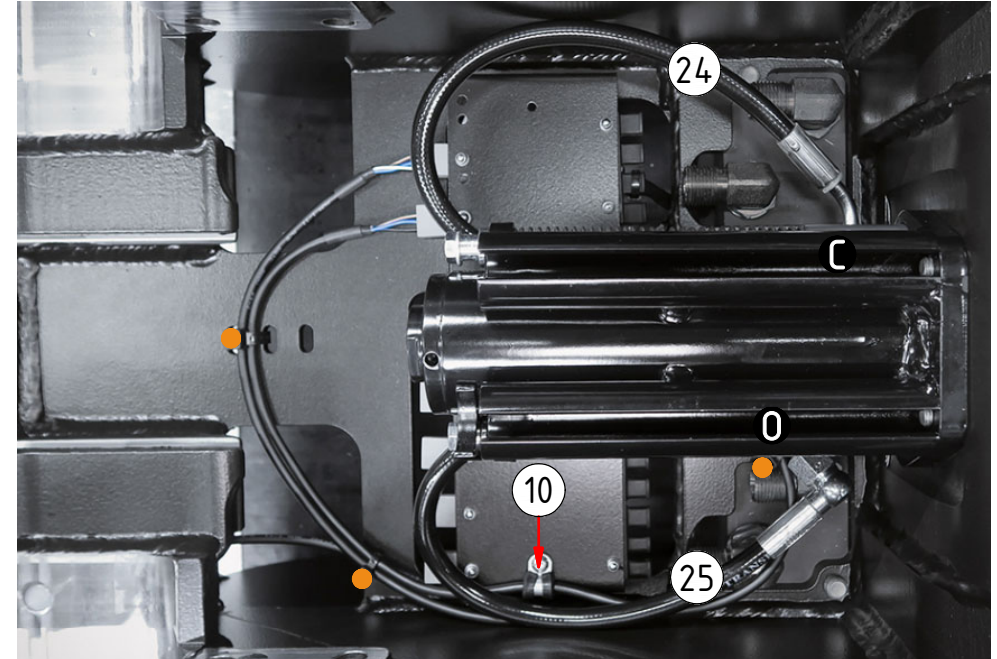


Without EC-Oil

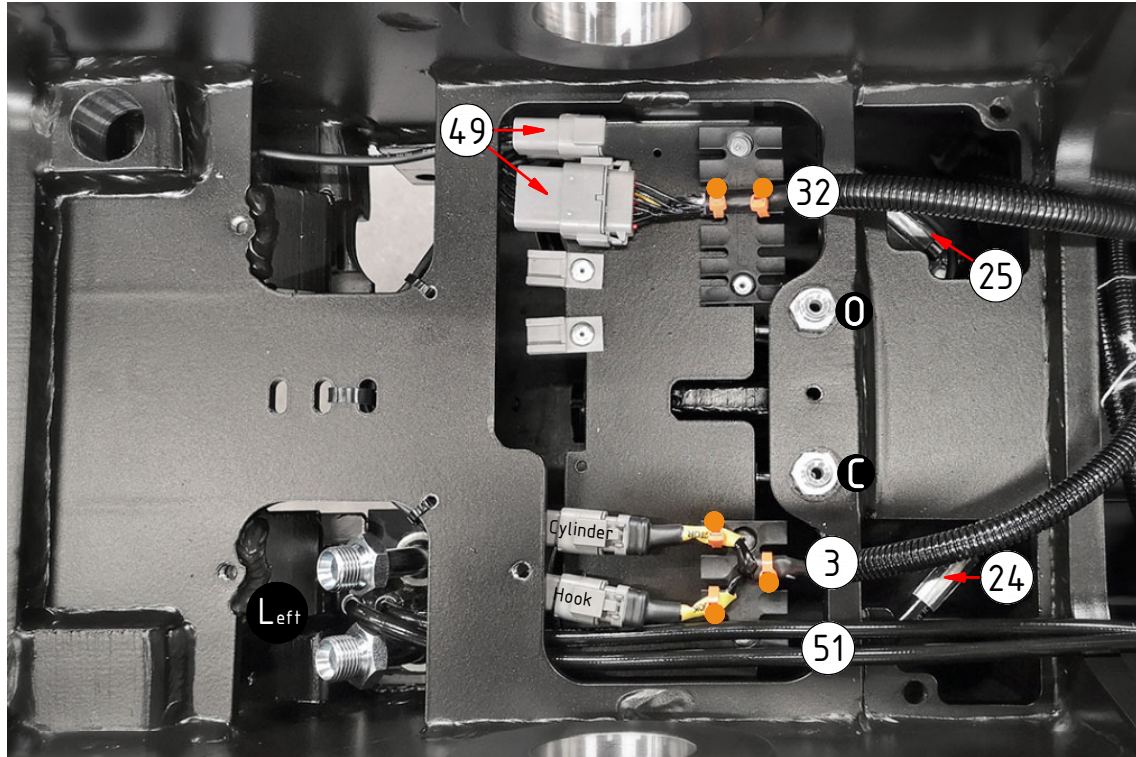


POS	DESCRIPTION	PART	QTY	COMMENTS
3	Cable QS - QLM - Quick hitch	842149	1	Attach to QS sensors
10	Rubber steel clamp ø6	6000027	1	
24	Hose Lock Close	7000954	1	
25	Hose Lock Open	7000953	1	
29	Hose Lock 2 - Liebherr	7001231	2	For Liebherr, add this to POS.21
30	Hose Lock 2 - Lännen		2	For Lännen, add this to POS.21
●	Use cable ties			

POS in order of assembly

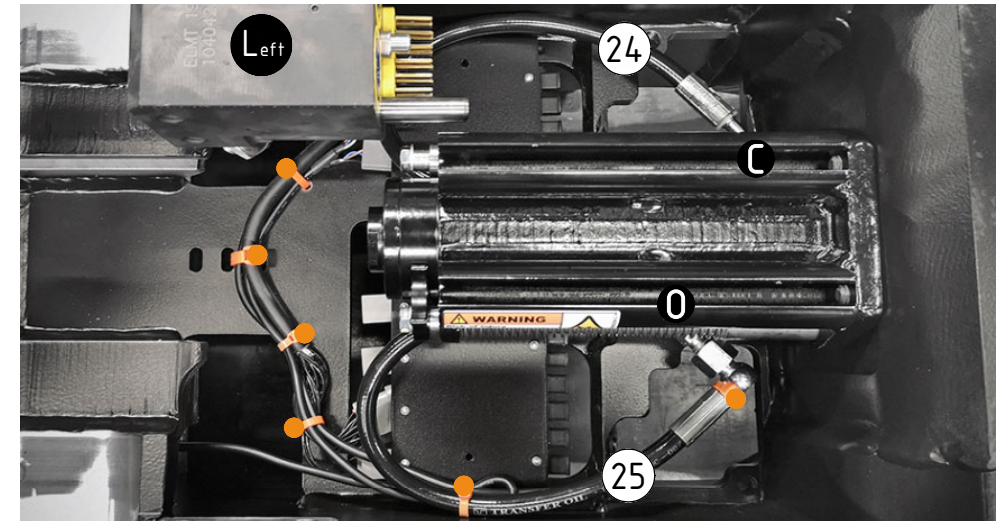


EC-Oil
DC2 Std. config.

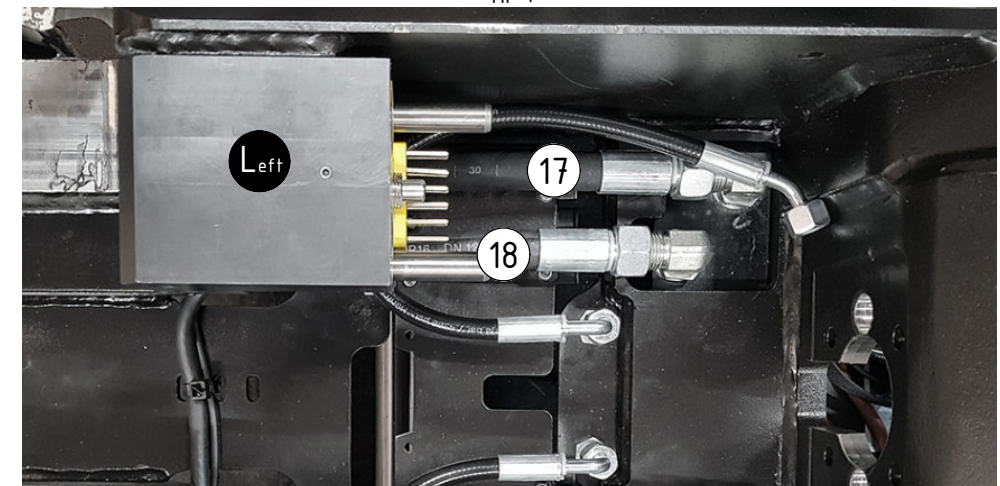


POS	DESCRIPTION	PART	QTY	COMMENTS
2	For Atlas Högländets			See p.13 for instruction
3	Cable QS - QLM - Quick hitch	842149	1	Attach to QS sensors
17	Hose Long Connect.block ECO60W	7000955	1	QTY: 2 for 2bl.
18	Hose Short Connect.block ECO60W	7000956	1	QTY: 2 for 2bl.
24	Hose Lock Close	7000954	1	
25	Hose Lock Open	7000953	1	
29	Hose Lock 2 - Liebherr	7001231	2	For Liebherr, add this to POS.21
30	Hose Lock 2 - Lännen		2	For Lännen, add this to POS.21
32	Machine cable ECO60 W DC2	1048528	1	Attach to 12P
49	Power plug ECO W Hitch	1042243	1	
51	Hose kit - lubricant ECO W	7000514	1	(POS.52-54 incl.)
● Use cable ties				

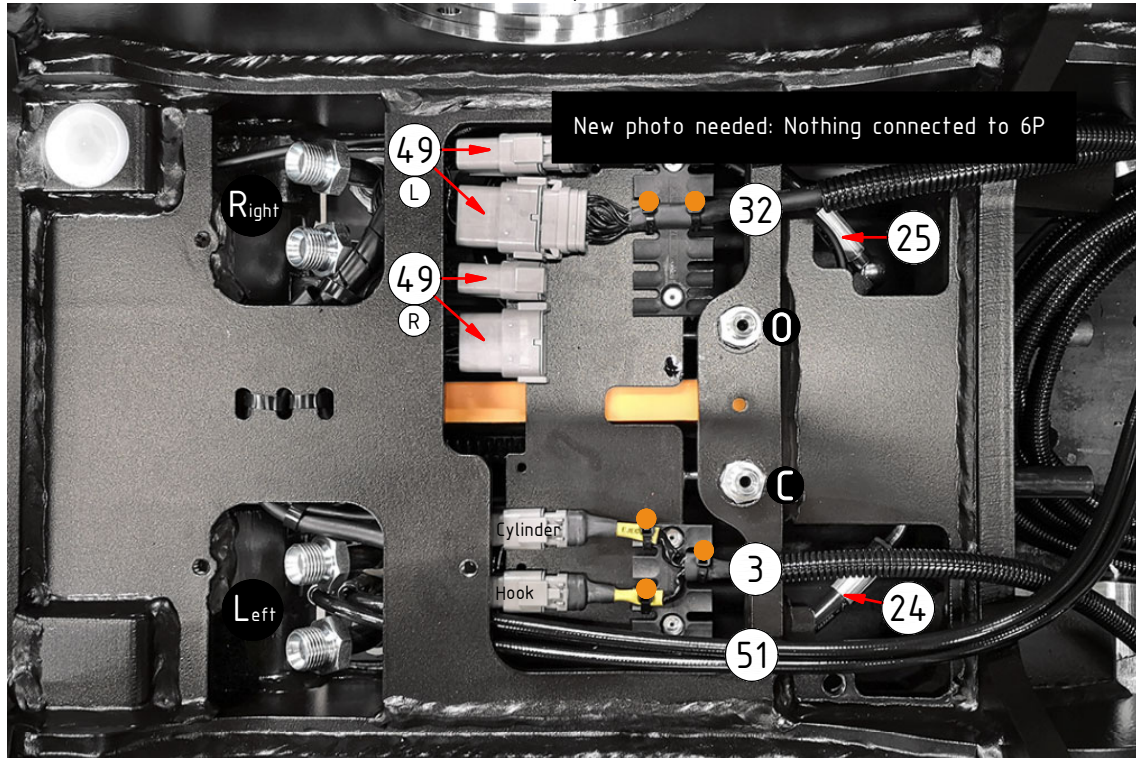
POS in order of assembly



"HF":



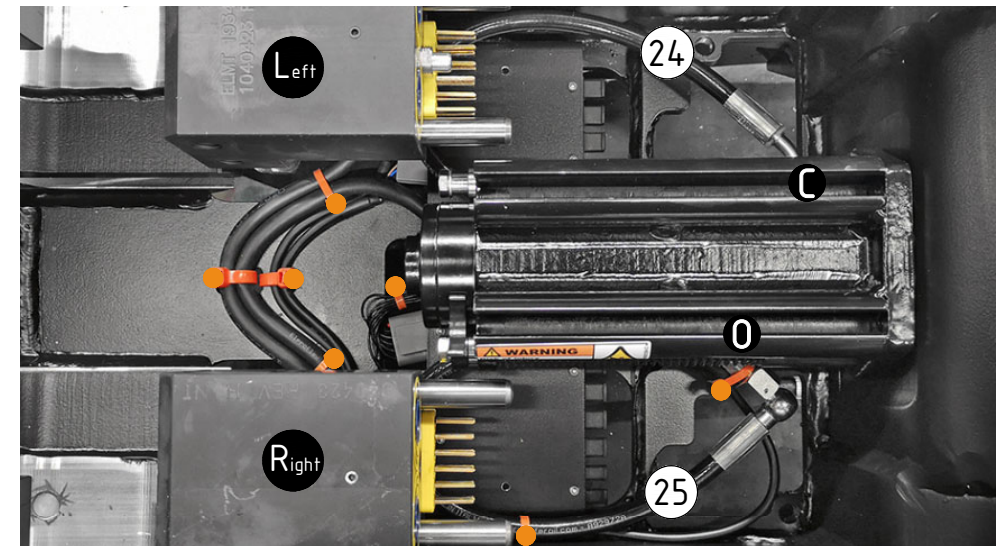
EC-Oil
DC2 Option 2bl.



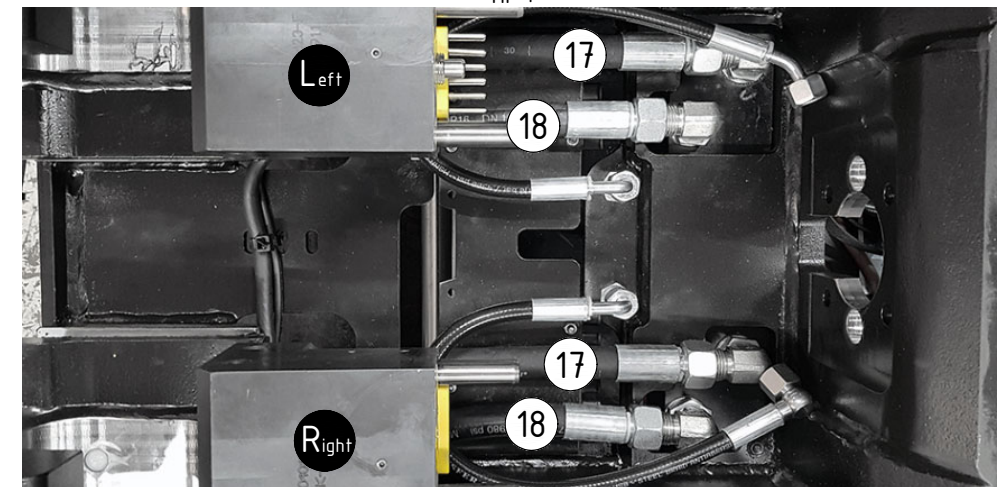
Option 5 hyd:



POS	DESCRIPTION	PART	QTY	COMMENTS
3	Cable QS - QLM - Quick hitch	842149	1	Attach to QS sensors
17	Hose Long Connect.block ECO60W	7000955	1	QTY: 2 for 2bl.
18	Hose Short Connect.block ECO60W	7000956	1	QTY: 2 for 2bl.
24	Hose Lock Close	7000954	1	
25	Hose Lock Open	7000953	1	
29	Hose Lock 2 - Liebherr	7001231	2	For Liebherr, add this to POS.21
30	Hose Lock 2 - Lännen		2	For Lännen, add this to POS.21
32	Machine cable ECO60 W DC2	1048528	1	Attach to Left 12P
49	Power plug ECO W Hitch	1042243	1	
51	Hose kit - lubricant ECO W	7000514	1	(POS.52-54 incl.)
●	Use cable ties			

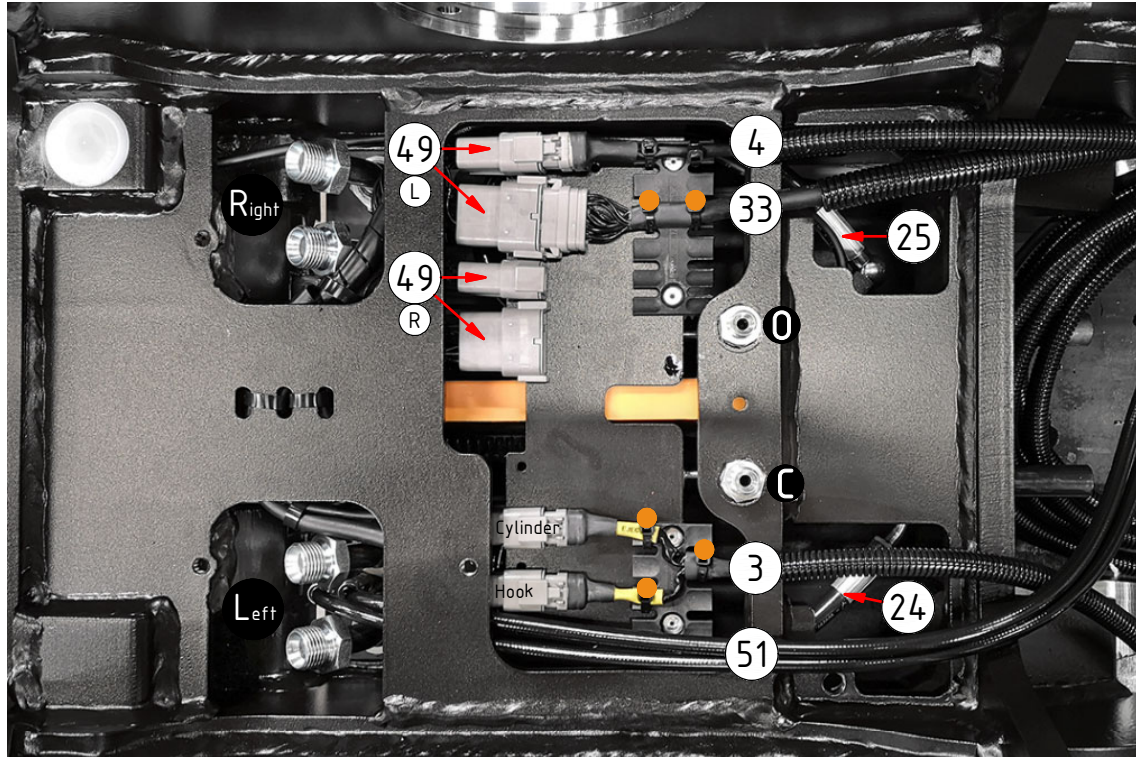


"HF":

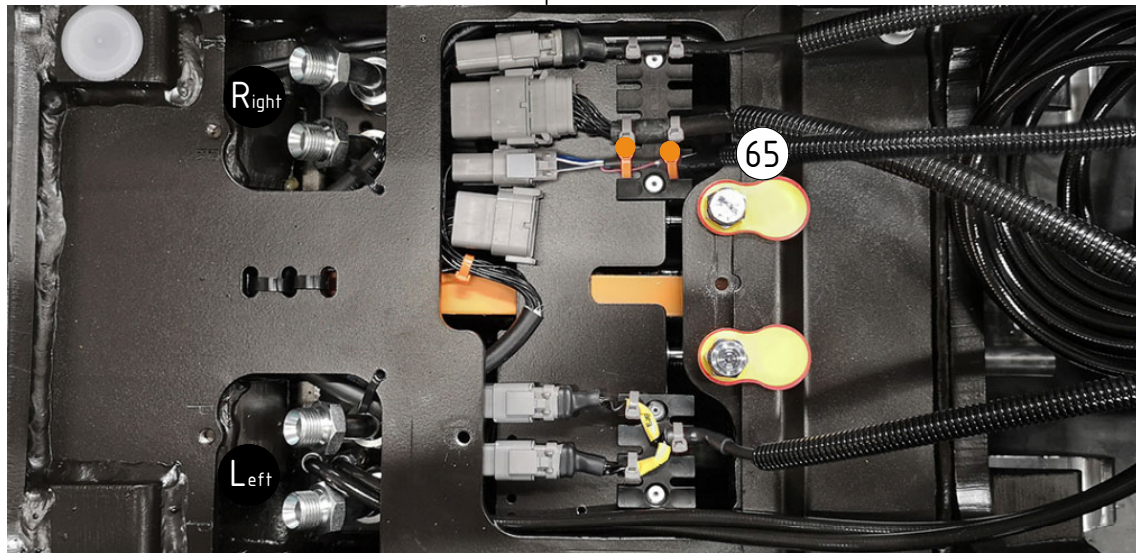


POS in order of assembly

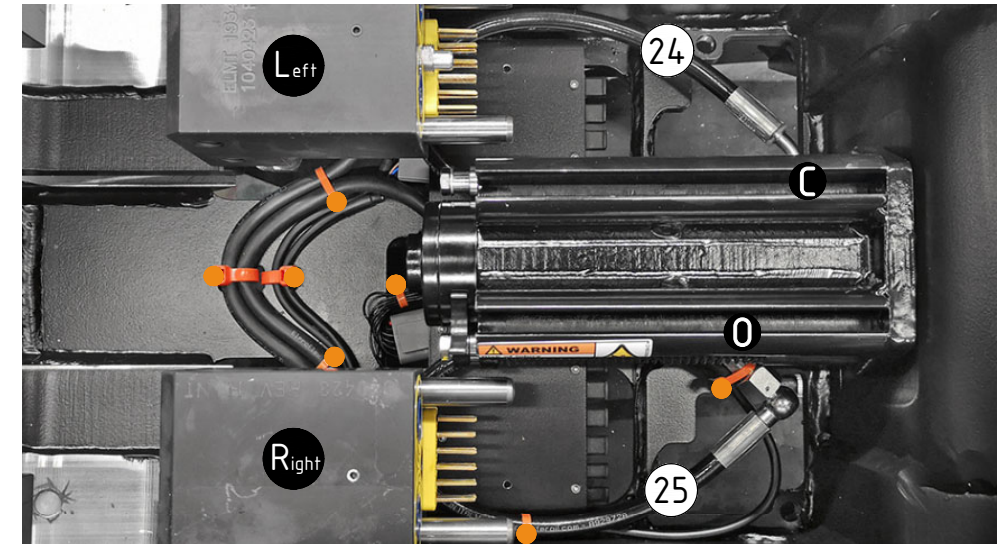
EC-Oil
ss9



Option ePS:

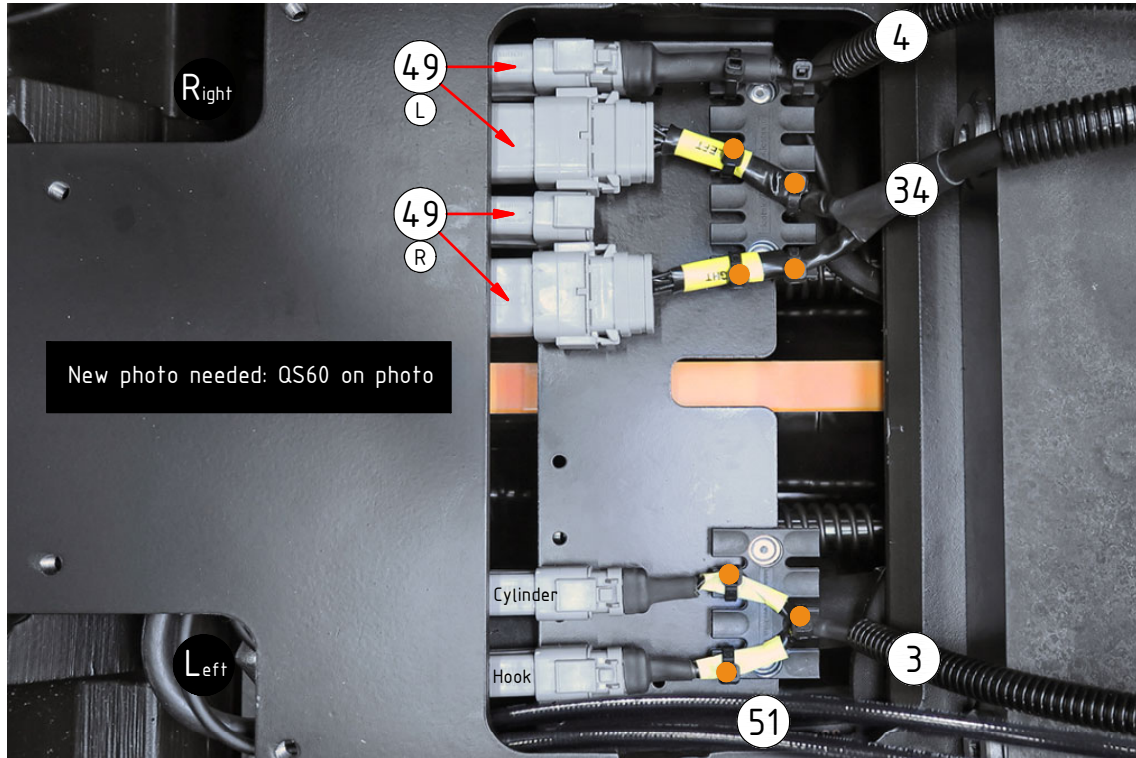


POS	DESCRIPTION	PART	QTY	COMMENTS
3	Cable QS - QLM - Quick hitch	842149	1	Attach to QS sensors
4	Cable QS - QLM - Tilt rotator	842148	1	Attach to Left 6P
24	Hose Lock Close	7000954	1	
25	Hose Lock Open	7000953	1	
29	Hose Lock 2 - Liebherr	7001231	2	For Liebherr, add this to POS.21
30	Hose Lock 2 - Lännen		2	For Lännen, add this to POS.21
33	Machinecable ECO60W ss9-2 (1x 12P)	1036846	1	Attach to Left 12P
49	Power plug ECO W Hitch	1042243	1	
51	Hose kit - lubricant ECO W	7000514	1	(POS.52-54 incl.)
65	Cable ePS ECO W ss9,ss10(SVAB)	1042246	1	Attach to Right 6P
	● Use cable ties			

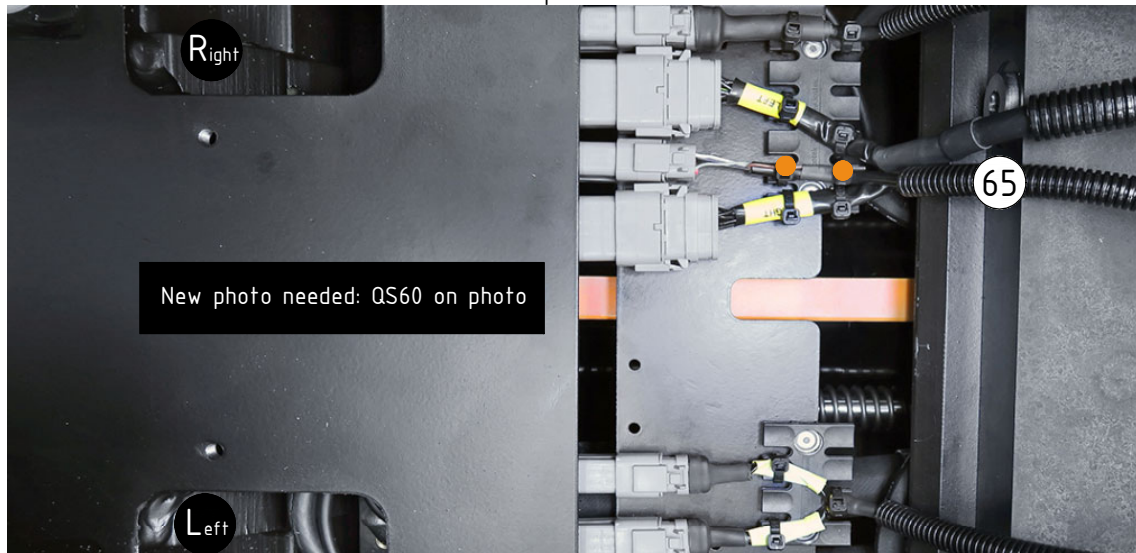


POS in order of assembly

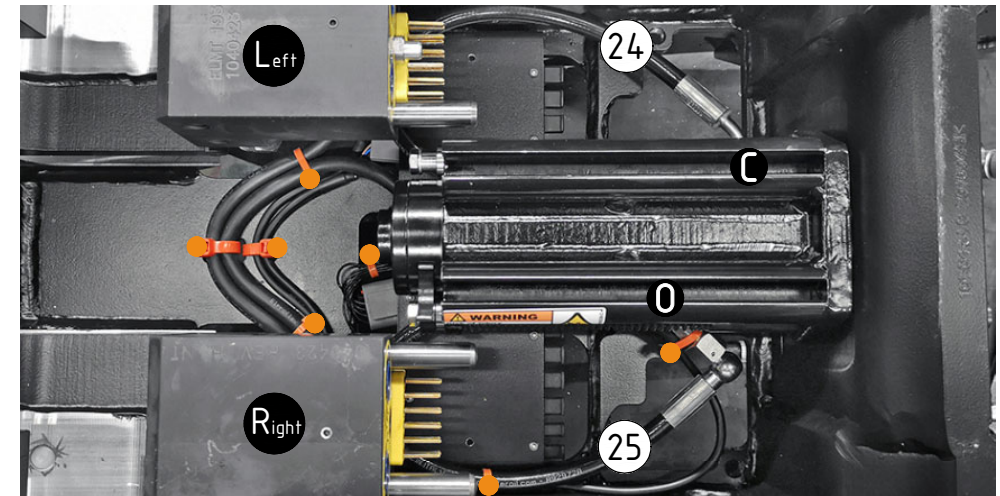
EC-Oil
ss10 (SVAB)



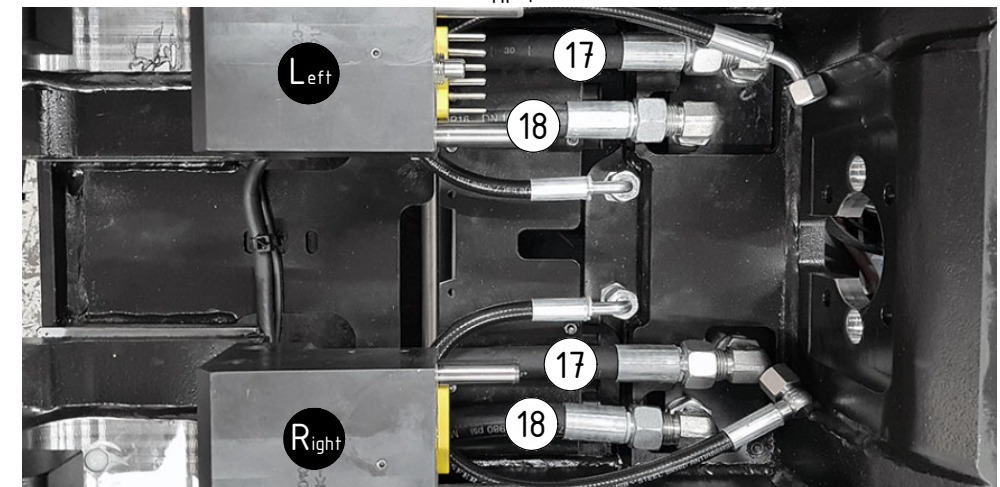
Option ePS:



POS	DESCRIPTION	PART	QTY	COMMENTS
3	Cable QS - QLM - Quick hitch	842149	1	Attach to QS sensors
4	Cable QS - QLM - Tilt rotator	842148	1	Attach to Left 6P
17	Hose Long Connect.block ECO60W	7000955	1	QTY: 2 for 2bl.
18	Hose Short Connect.block ECO60W	7000956	1	QTY: 2 for 2bl.
24	Hose Lock Close	7000954	1	
25	Hose Lock Open	7000953	1	
29	Hose Lock 2 - Liebherr	7001231	2	For Liebherr, add this to POS.21
30	Hose Lock 2 - Lännen		2	For Lännen, add this to POS.21
34	Machinecable ECO60W SVAB (2x 12P)	1029500	1	Attach to both 12P
49	Power plug ECO W Hitch	1042243	1	
51	Hose kit - lubricant ECO W	7000514	1	(POS.52-54 incl.)
65	Cable ePS ECO W ss9,ss10(SVAB)	1042246	1	Attach to Right 6P
● Use cable ties				



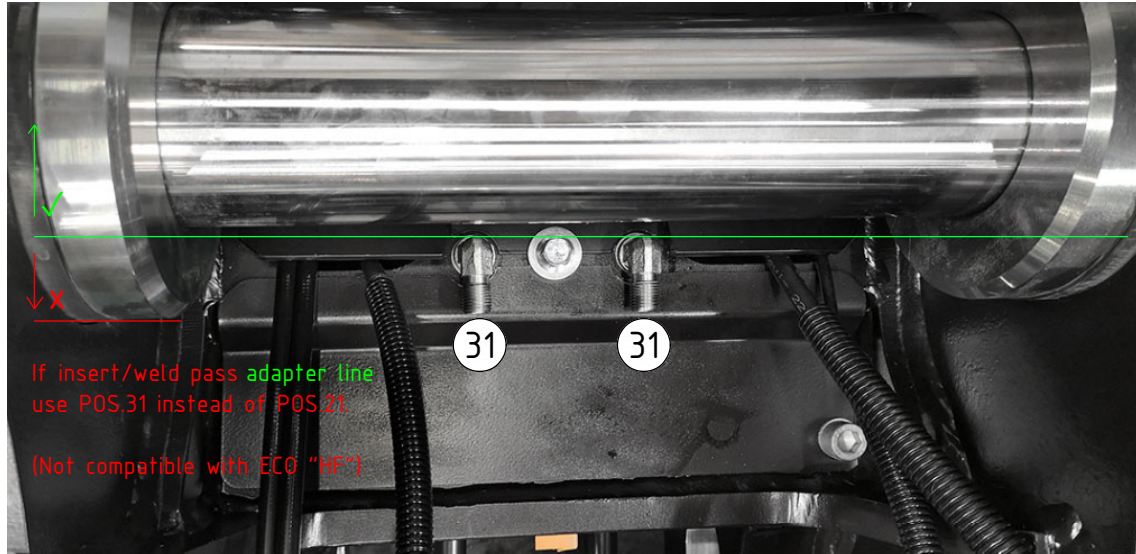
"HF":



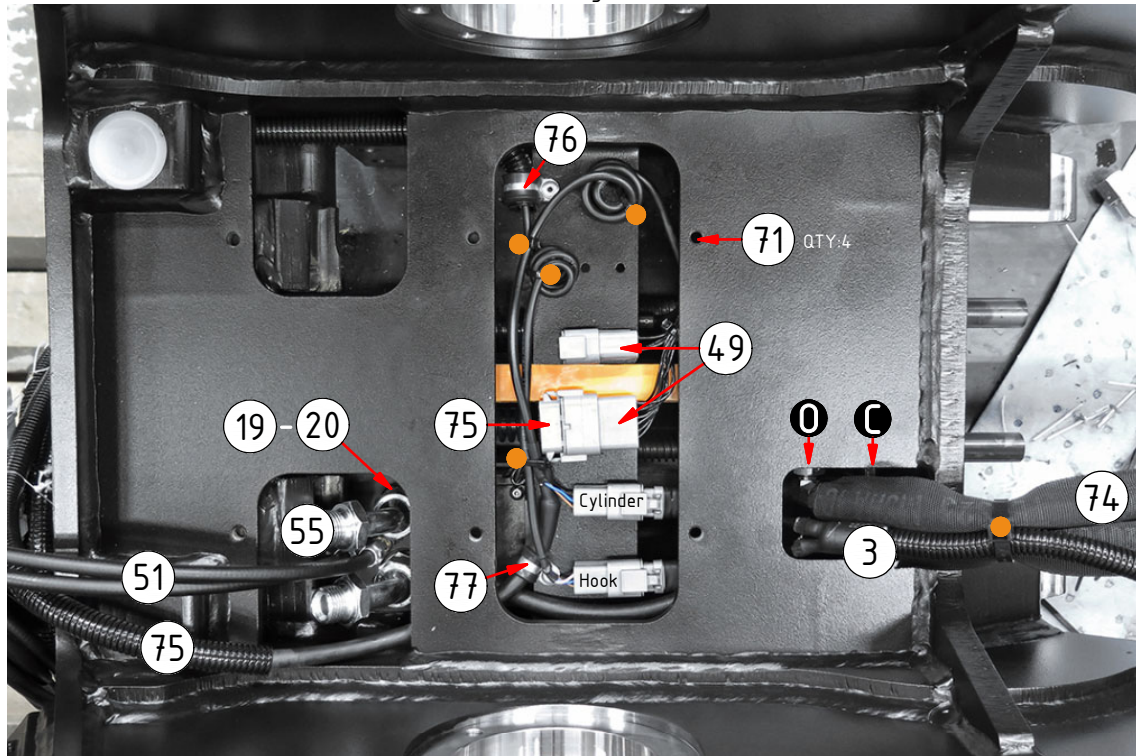
POS in order of assembly

special / options

Alternative adapter:



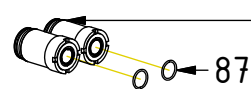
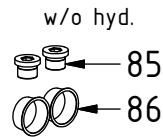
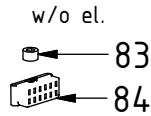
Atlas Höglandets:



POS	DESCRIPTION	PART	QTY	COMMENTS
3	Cable QS - QLM - Quick hitch	842149	1	Attach to QS sensors
7	Blind rivet 4,0x12,3 DIN7337	6000294	10	
8	Holder Deutsch coupling	810662	6	
9	Screw K6S M5x8 10.9 FZB	611801	1	QTY: 2 for ECO coverplate
19	Adapter 136-08-08 (1/2")	710108	2	QTY: 4 for 2bl.
20	Washer GBR08 1/2	710704	2	QTY: 4 for 2bl.
21	Adapter 1260-04-40 (1/4")	710261	2	
26	Adapter 138-04-29 (1/4")	710135	1	
27	Washer GBR04 1/4	710702	1	
31	Alternative adapter 90° 1264-04-04	7000847	2	For colliding insert/weld. See p.13
35	Block ECO60W Hitch 2hy.1cl. Compl.	1055715	1	(POS.37-38, 40-41 incl.)
37	Block ECO60 W Hitch	1042480	1	
38	Coupling ECO W 1/2" V3	1054580	2	Torque: 60Nm. (POS.39 incl.)
39	Flat sealing for ECO W 1/2" V3	1050018	2	
40	Dirt protection block ECO 1/2"	1028229	4	
41	Lubrication kit ECO W V2	1050794	1	(POS.42-48 incl.)
49	Power plug ECO W Hitch	1042243	1	
50	Coverplate block ECO60 W Hitch	1041139	1	
51	Hose kit - lubricant ECO W	7000514	1	(POS.52-54 incl.)
55	Adapter 489-08-08 45° (1/2")	710166	2	QTY: 4 for 2bl. Loxeal 55-02
63	Screw MC6S M14x30 12.9 ZFSL	6000197	3	Loxeal 83-52
73	Transport Protection ECO-Block	1047716	1	Part of make up
74	Hose Lock Atlas Höglandets	7000814	2	Use with POS.26-27
75	Cable ECO60 W Machine DC2 (2,5m)	1048527	1	Attach to 12P
76	Rubber steel clamp ø14	613009	1	Cut cable protection: 230mm
77	Rubber steel clamp ø12	790155	1	
78	Screw K6S 5x16H	611818	2	
79	Nut M6M M5 cover	610920	2	
80	Hose kit Atlas Höglandets	7000822	1	
81	Cover QS60 With EC-Oil	1031335	1	
●	Use cable ties			

POS in order of assembly

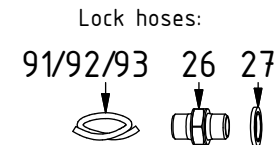
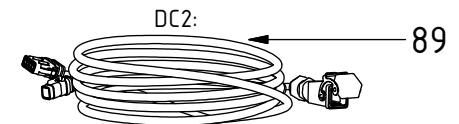
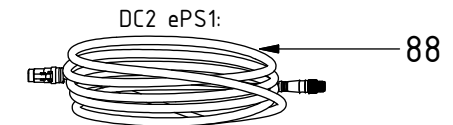
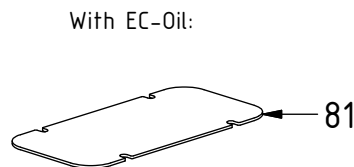
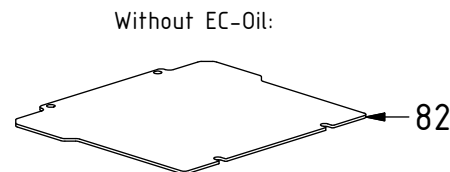
SPARE PARTS



1024056
O-rings between versions are not compatible



1042362
Replaced by POS.41 from 2019-01. On ECO blocks previous rev E: remove o-ring on nut



POS	DESCRIPTION	PART	QTY	COMMENTS
24	Hose Lock Close	7000954	1	
25	Hose Lock Open	7000953	1	
26	Adapter 138-04-29 (1/4")	710135	1	
27	Washer GBR04 1/4	710702	1	
32	Machine cable ECO60 W DC2	1048528	1	Attach to 12P
38	Coupling ECO W 1/2" V3	1054580	2	Torque: 60Nm. (POS.39 incl.)
39	Flat sealing for ECO W 1/2" V3	1050018	2	
41	Lubrication kit ECO W V2	1050794	1	(POS.42-48 incl.)
68	Coverplate V4 - ECO HF & w/o ECO	1052669	1	
69	Coverplate V4 - ECO w/o HF	1054935	1	
70	Coverplate V4 - w/o HF & w/o ECO	1055335	1	
81	Cover QS60 With EC-Oil	1031335	1	Replaced by 68-70 from 2019-10
82	Cover QS60 Without EC-Oil	1033390	1	Replaced by 68-69 from 2019-10
83	Pipe plug DIN 906 M16x1,5	711529	1	
84	Plug ECO W - Hitch	1041814	1	
85	Plug 70125-08 (1/2")	711500	2	
86	Protection plug ECO60 hydraulic	7000155	2	
87	O-ring 17,17x1,78 ECO60 1/2"	710913	2	Replaced by POS.39 from 2020-03 Separate seal kit: 7000046
88	Cable ECO Tiltangle sensor DC2 ePS	1049315	1	Used on 6P (DC2 ePS) until 2022-11
89	Machine cable ECO60 W DC2 two connectors	1042248	1	Replaced by POS.32 from 2018-08 Attach to 6P and 12P
90	Machine cable ECO60 W MACS	1043276	1	Attach to 12P
91	Hose Lock	741505	2	Replaced by 24-25 from 2019-10
92	Hose Lock Liebherr	7000560	2	Replaced by 24-25 from 2019-10
93	Hose Lock Lannen	7000561	2	Replaced by 24-25 from 2019-10

POS in order of assembly