

Break support COVERSHEET



Planned document changes:

Briefly:

No planned changes.

Document changes:

Date:	Change:	Rev. after change:
2023-01-03	Layout/irrelevant.	G
2022-11-04	EC206B added.	F
2022-06-03	Descriptions updated.	E
2022-05-25	Break play updated.	D
2021-09-07	EC214 and EC219 added.	C
2020-05-14	Part no for screws added.	B
2020-02-11	EC209 added.	A
2017-10-02	New document.	-

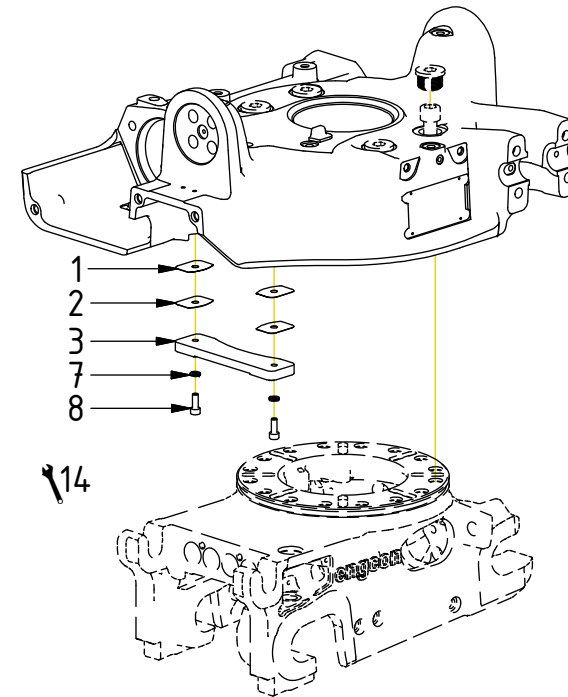
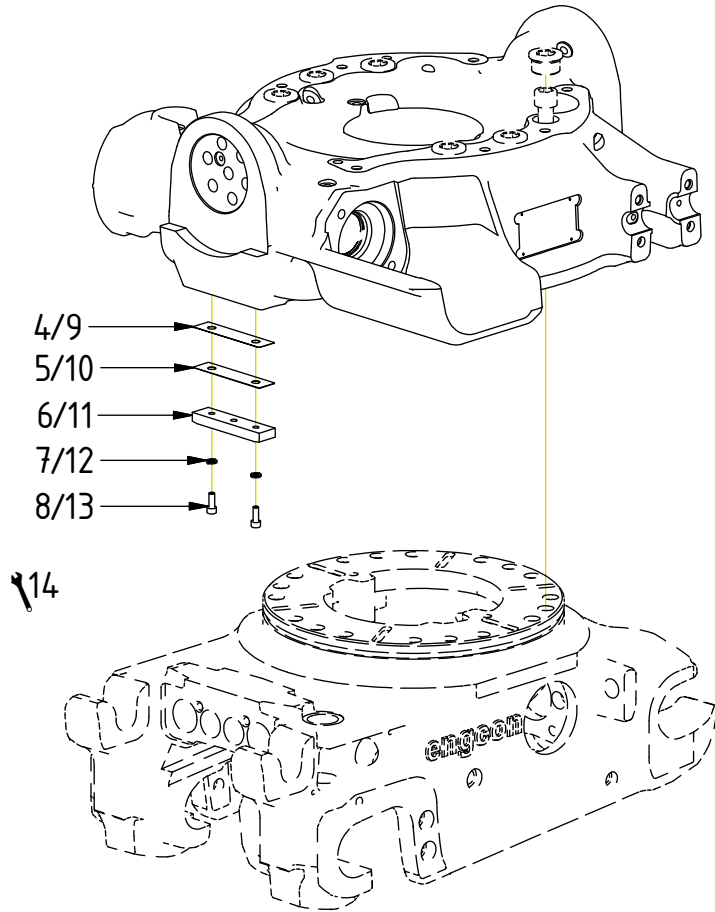
Readers note: Indicates instruction. Represents Hose.

Dashed lines for overview, mounts
on other pages/assemblies.

Break support

EC206B, EC209/EC209B, EC214, EC219, EC226, EC233

POS	DESCRIPTION	PART	QTY	COMMENTS
1	Shim breaksupport 0,1mm EC206B	1068369	2	Use as required
2	Shim breaksupport 0,3mm EC206B	1068368	2	Use as required
3	Supporting plate EC206B	1068059	1	
4	Shim breaksupport 0,1mm EC209-219	1055262	1	Use as required
5	Shim breaksupport 0,3mm EC209-219	1055260	1	Use as required
6	Supporting Plate EC209-219	1055258	1	
7	Washer NL 6mm EC206B-219	611039	2	
8	MC6S 6x16 12.9 ZFSHL EC206B-219	6000017	2	
9	Shim breaksupport 0,1mm EC226-233	1023344	1	Use as required
10	Shim breaksupport 0,3mm EC226-233	1023447	1	Use as required
11	Supporting plate EC226-233	1023292	1	
12	Washer NL 8mm EC226-233	611040	2	
13	MC6S M8x20 12.9 ZFSHL EC226-233	6000157	2	
14	Check break play: Assembly: Rotator frame upside down Testing: Tiltrotator placed on floor			EC206B-EC219: 0,5-0,7mm EC226: 0,6-0,8mm EC233: 0,8-1,0mm



POS in order of assembly

Break support



POS	DESCRIPTION	PART	QTY	COMMENTS
14	Check break play: Assembly: Rotator frame upside down Testing: Tiltrotator placed on floor			EC206B-EC219: 0,5-0,7mm EC226: 0,6-0,8mm EC233: 0,8-1,0mm

