

## COVERSHEET

### Planned document changes:

**Briefly:**

---

No planned changes.

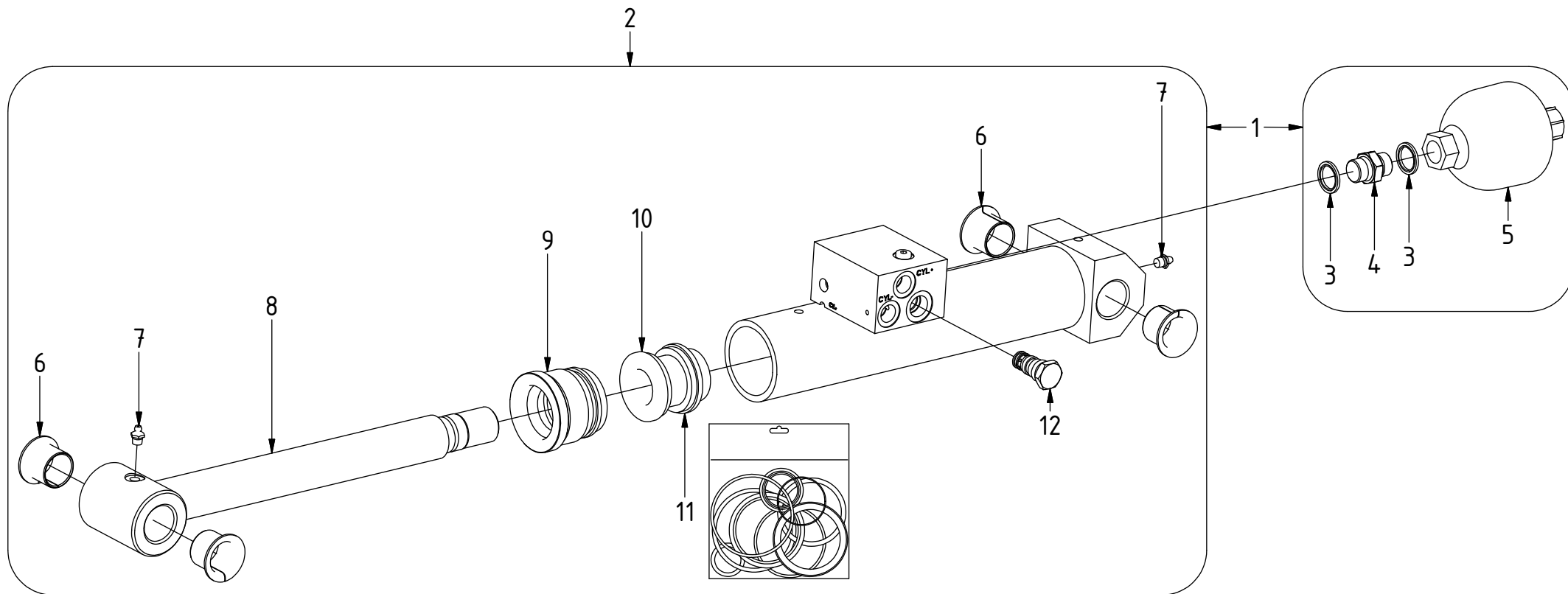
### Document changes:

<b>Date:</b>	<b>Change:</b>	<b>Rev. after change:</b>
2018-06-18	Layout/irrelevant.	B
2018-03-21	Piston rod replaced.	A
2017-09-04	New exploded view.	-

# Cylinder TG25HD

POS	DESCRIPTION	PART	QTY	COMMENTS
1	Cylinder TG25HD with Accumulator	1044068	1	(POS.2-5 included)
2	Cylinder TG25HD	1044120	1	(POS.6-12 included)
3	Sealing washer 1/2"	710704	2	
4	Adapter 1/2"	710108	1	
5	Accumulator	790102	1	
6	Bushing 30/35/45x30	630409	4	
7	Grease Nipple	711403	2	
8	Piston rod	1046967	1	
9	Top nut $\varnothing 63/40$	750305	1	
10	Piston $\varnothing 63/32$	750407	1	
11	Seal Kit 63/40	750238	1	
12	Check valve SC5H-Q3/1	7000001	1	

POS in order of assembly



## Related spare parts

POS	DESCRIPTION	PART	QTY	COMMENTS
1	Cylinder TG25HD with Accumulator	1044068	1	(POS.2-5 included)
2	Cylinder TG25HD	1044120	1	(POS.6-12 included)

POS in order of assembly

