

# EC233 - Central lubrication

## COVERSHEET

### Planned document changes:

**Briefly:**

---

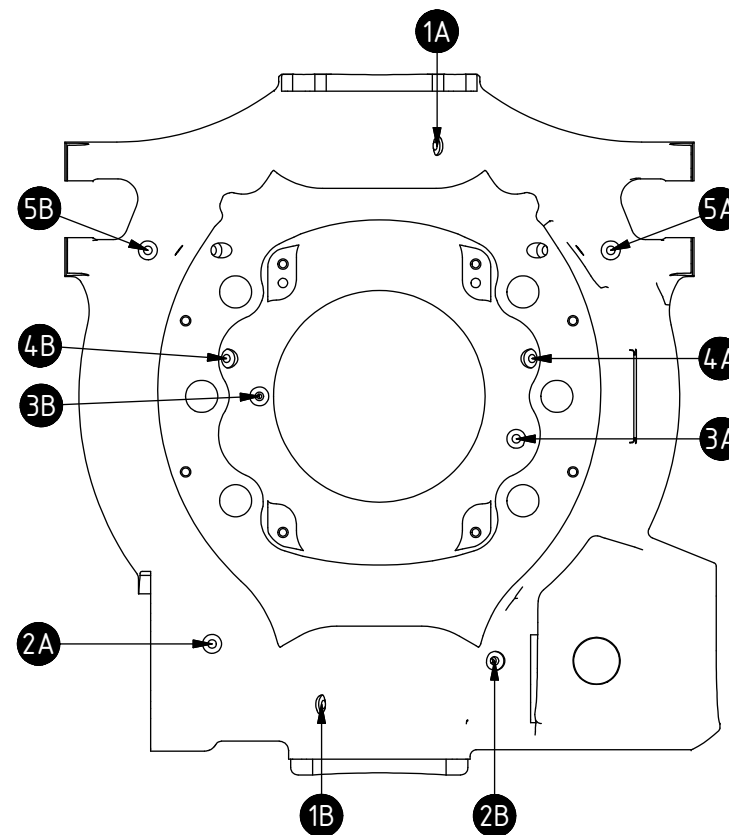
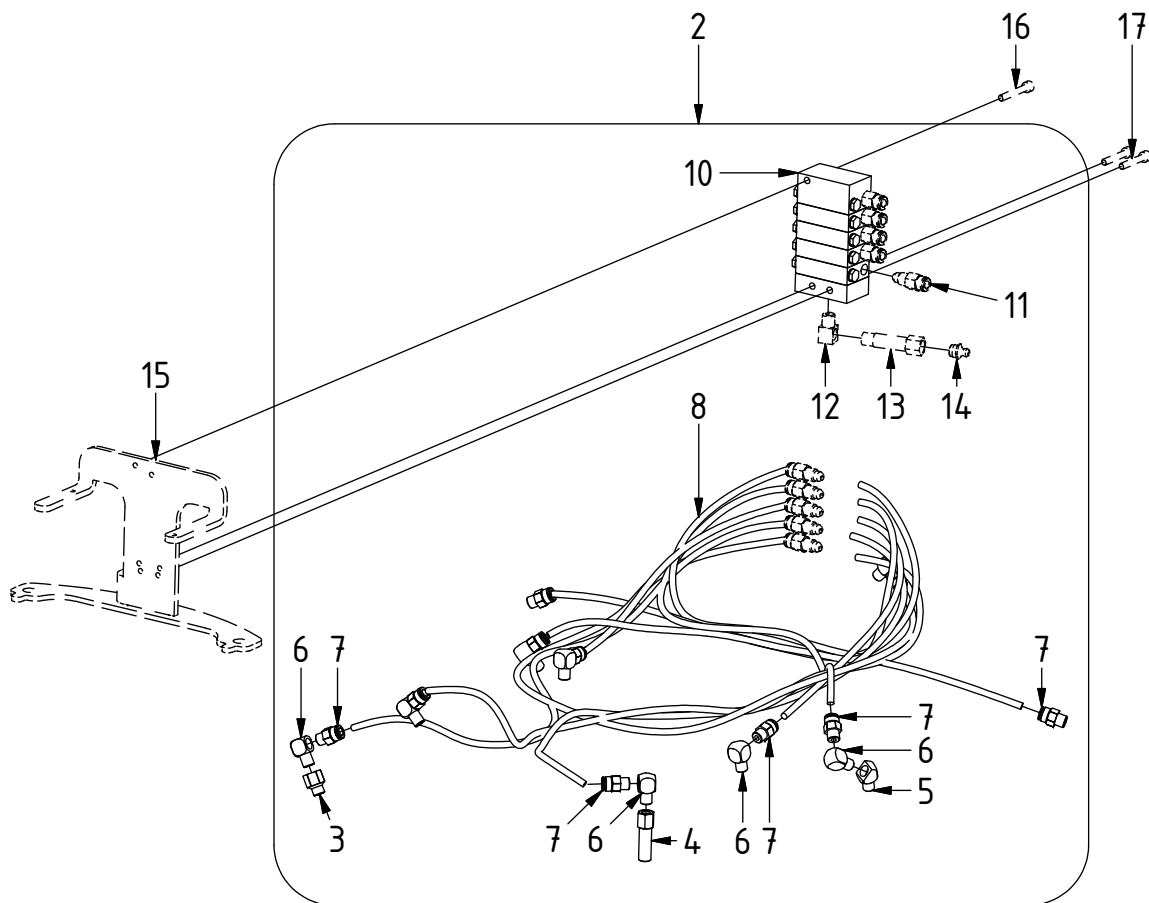
Start of 2021 details for dosing block updated:  
Remove POS.14. Add L-adapter 7001309, plug 711503, grease nippel 711403.

### Document changes:

<b>Date:</b>	<b>Change:</b>	<b>Rev. after change:</b>
2018-09-11	Art no for extender updated.	B
2017-10-09	Layout/irrelevant.	A
2017-08-22	New instruction.	-

# EC233 - Central lubrication

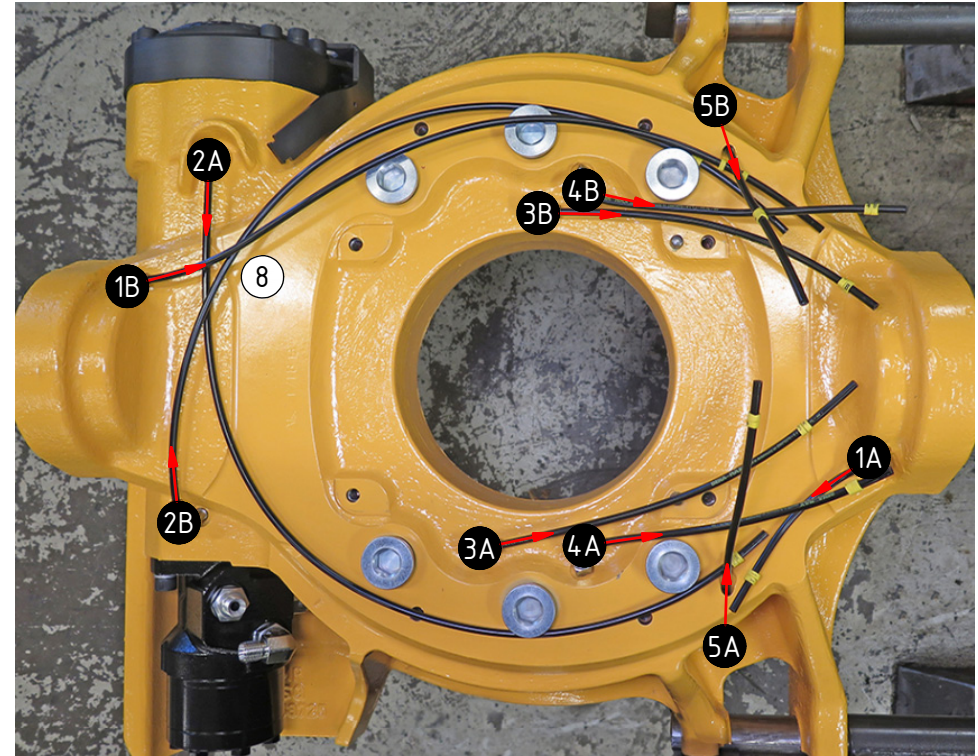
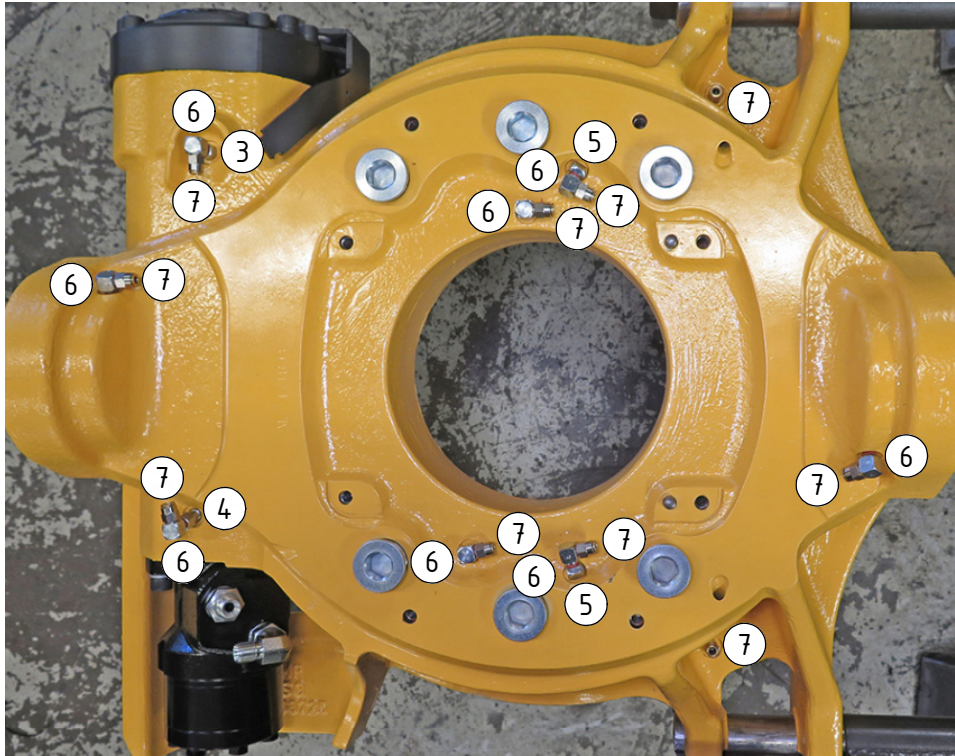
POS	DESCRIPTION	PART	QTY	COMMENTS
1	Central lubrication is applied alongside rotator frame assembly			See "Rotator frame"
2	Lubrication kit EC233 Complete	1040866	1	(POS.3-8, 10 included)
3	Extender 10mm	712216	1	
4	Extender 30mm	7000559	1	
5	Adapter 45° R1/8"	712215	2	
6	Adapter 90° R1/8"	710199	8	
7	Push-in R1/18"	790172	10	
8	Hose kit lubrication	7000772	1	
10	Dosing block MX-F	1028281	1	(POS.11-14 included)
11	Push-in coupling 6mm	790188	10	
12	Adapter 90° M10	790190	1	
13	Extender M10x1 50mm	790165	1	
14	Grease nipple M10	790166	1	
15	Mounting plate central lubrication	1040022	1	Part of rotator frame assembly
16	Screw MC6S 5x35	610404	1	Part of rotator frame assembly
17	Screw MC6S 5x30	610403	2	Part of rotator frame assembly



# EC233 - Central lubrication

POS	DESCRIPTION	PART	QTY	COMMENTS
3	Extender 10mm	712216	1	
4	Extender 30mm	7000559	1	
5	Adapter 45° R1/8"	712215	2	
6	Adapter 90° R1/8"	710199	8	
7	Push-in R1/18"	790172	10	
8	Hose kit lubrication	7000772	1	

POS in order of assembly



# EC233 - Central lubrication

POS	DESCRIPTION	PART	QTY	COMMENTS
9	Vavle plate			Part of rotator frame assembly
10	Dosing block MX-F	1028281	1	(POS.11-14 included)
16	Screw MC6S 5x35	610404	1	Part of rotator frame assembly
17	Screw MC6S 5x30	610403	2	Part of rotator frame assembly
18	Assemble A-side			
19	Assemble B-side			
20	Use cable ties			

POS in order of assembly

