

## COVERSHEET

### Planned document changes:

**Briefly:**

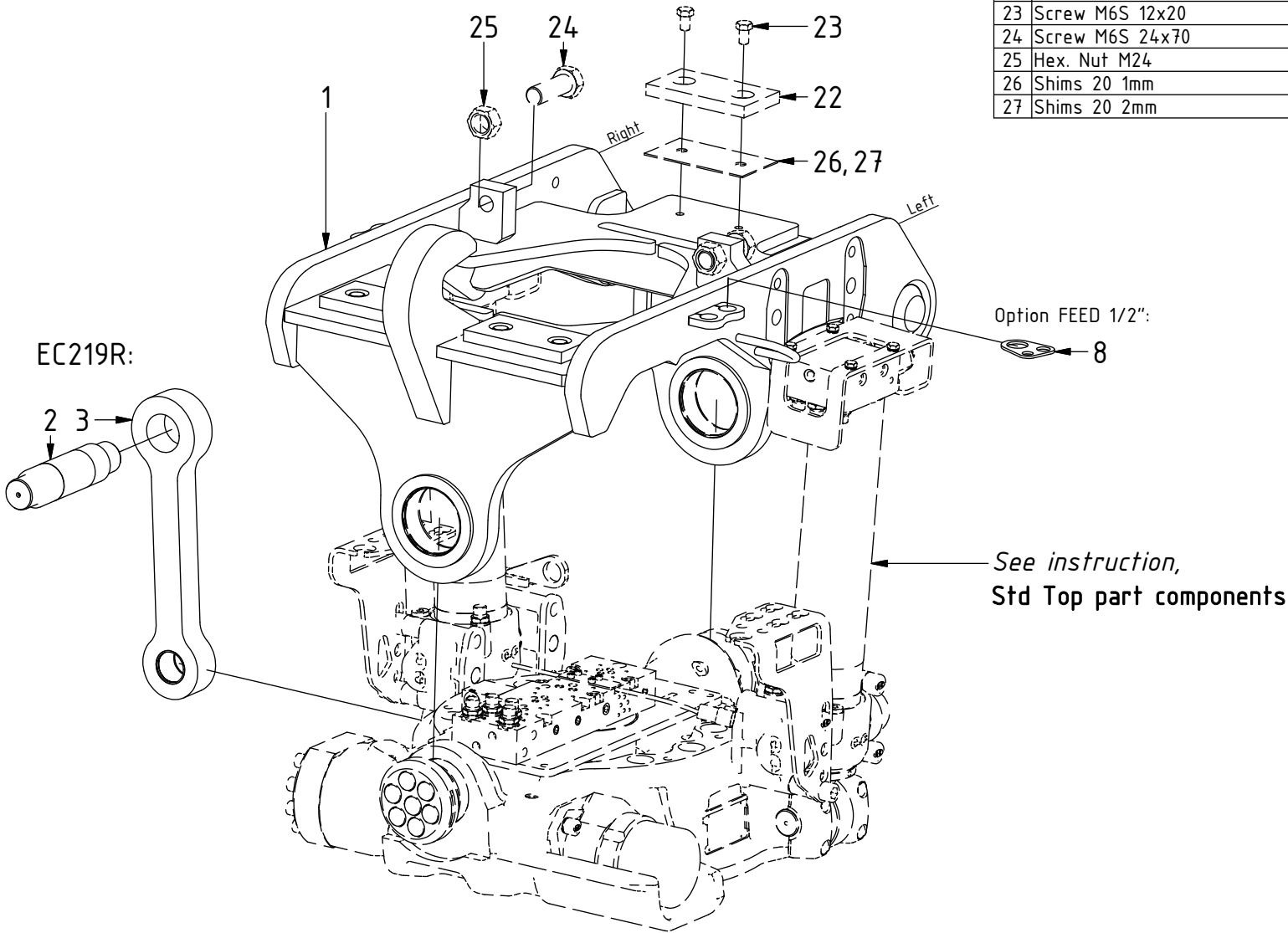
No planned changes.

### Document changes:

<u>Date:</u>	<u>Change:</u>	<u>Rev. after change:</u>
2020-01-30	Photos added.	C
2018-06-18	Layout/irrelevant.	B
2018-04-16	Layout/irrelevant.	A
2017-08-28	New instruction.	-

# EC219 ECHF - S1 Top part

POS	DESCRIPTION	PART	QTY	COMMENTS
1	Top part S1HD ECHF	1031599	1	
2	Axle rotator leg	1011553	2	For EC219R
3	Rotator support EC219R S1	1023932	2	For EC219R
8	Hose terminal ECHF 1/4+3/8	1042960	2	
22	Shims S1 & S2	400069	3	(Included in Top part)
23	Screw M6S 12x20	610163	6	(Included in Top part)
24	Screw M6S 24x70	610260	2	(Included in Top part)
25	Hex. Nut M24	610913	2	(Included in Top part)
26	Shims 20 1mm	404512	1	Use if required (Spare part only)
27	Shims 20 2mm	404513	1	Use if required (Spare part only)



# EC219 ECHF - S1 Top part

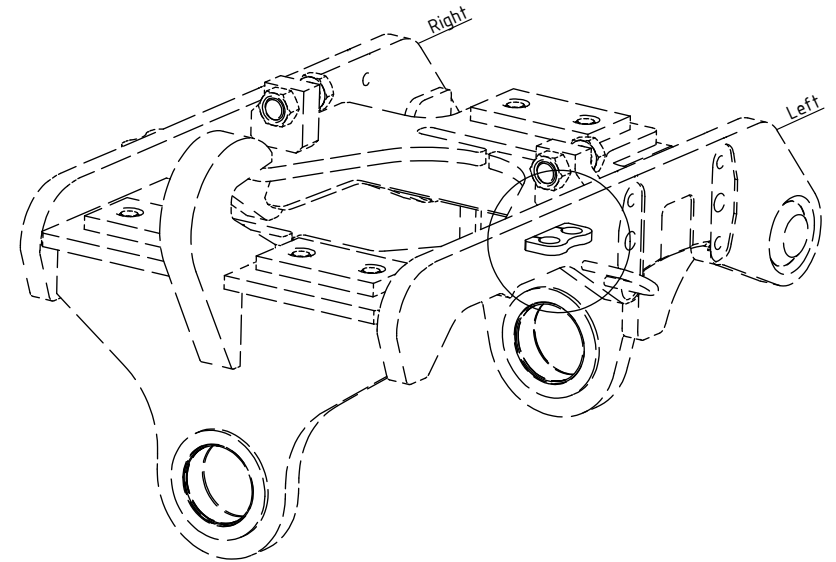
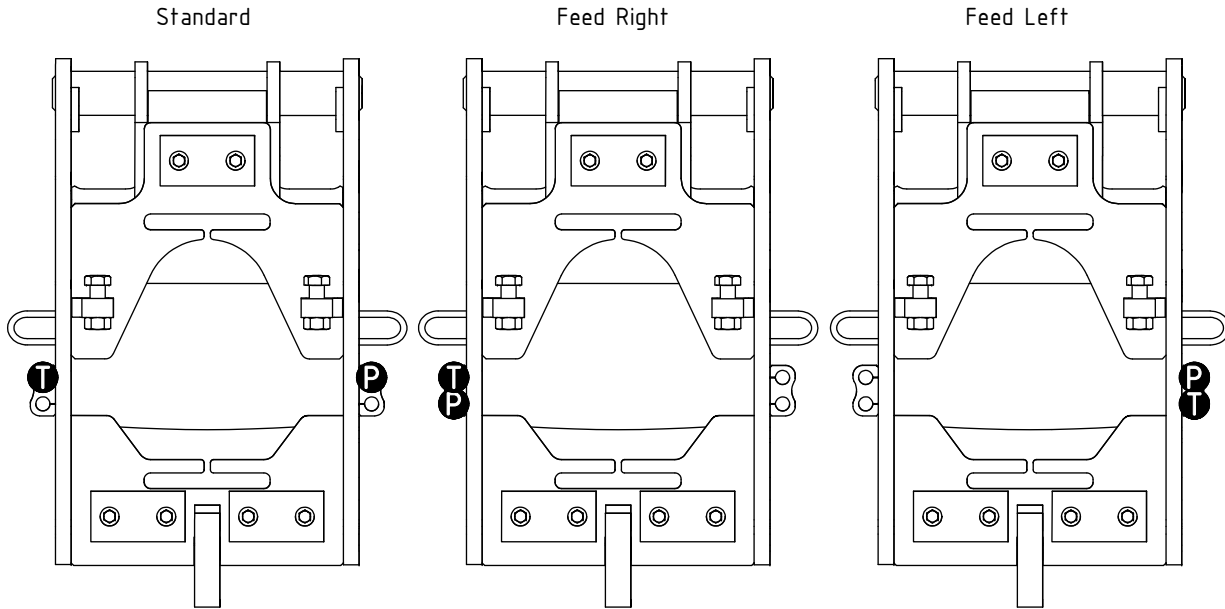
**P** = 4  
**T** = 4

FEED  
 3/4" (Std)

Main Feed

POS	DESCRIPTION	PART	QTY	COMMENTS
4	Use washer, adapter, nut: POS.5, 6, 7			
5	Washer NL 1"	611095	2	
6	Bulkhead adapter extended 3/4"	712227	2	
7	Bulkhead adapter nut 1270-12	712211	2	
	Attach feed hoses from control system			(a & b represents channels on feed block)

POS in order of assembly



# EC219 ECHF - S1 Top part

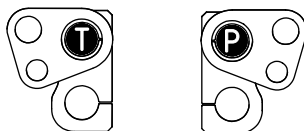
- P** = 9
- T** = 9
- R** = 14
- L** = 18

FEED

1/2"

ss5, ss10

Standard

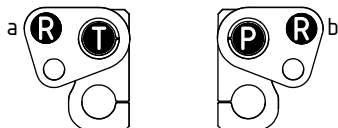


POS	DESCRIPTION	PART	QTY	COMMENTS
9	Use washer, adapter, o-ring, nut: POS.10, 11, 12, 13			
10	Washer NL 20mm	611098	2	
11	Bulkhead adapter extended 1/2"	710263	2	
12	O-ring 18,64x3,53	712415	4	
13	Bulkhead adapter nut	710254	2	
14	Use washer, adapter, nut: POS.15, 16, 17			
15	Washer NL 16mm	611044	2	
16	Bulkhead adapter 3/8"	710242	2	
17	Bulkhead adapter nut	710252	2	
18	Use washer, adapter, nut: POS.19, 20, 21			
19	Washer NL 1/2"	611096	2	
20	Bulkhead adapter 1/4"	710240	2	
21	Bulkhead adapter nut	710250	2	
	Attach feed hoses from control system			(a & b represents channels on feed block)

POS in order of assembly

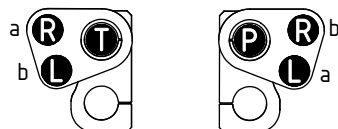
ss9IQ

Standard



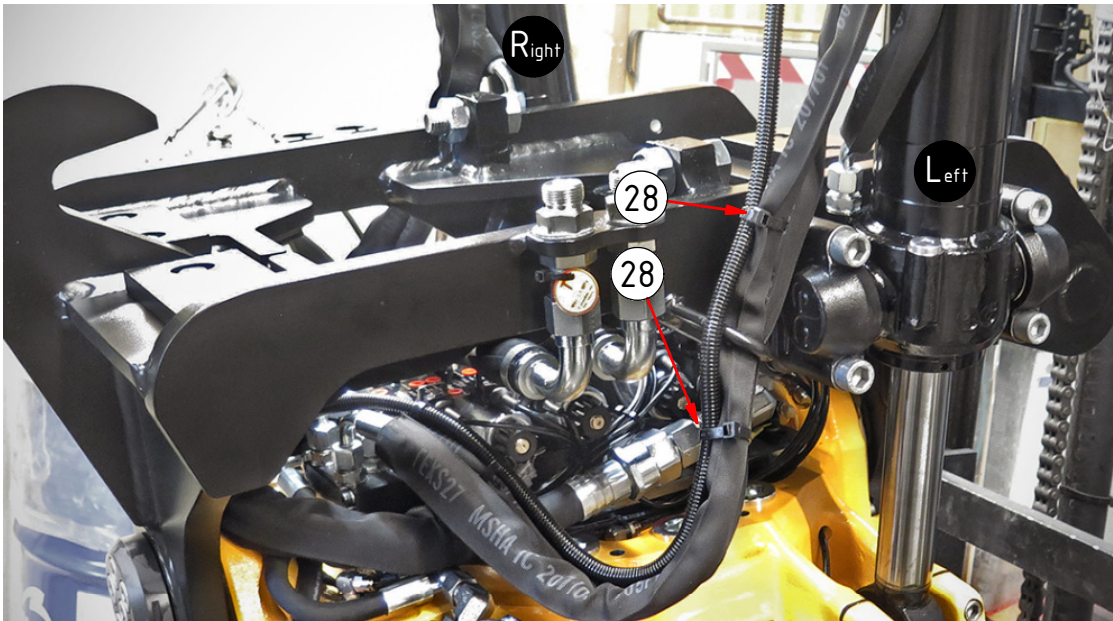
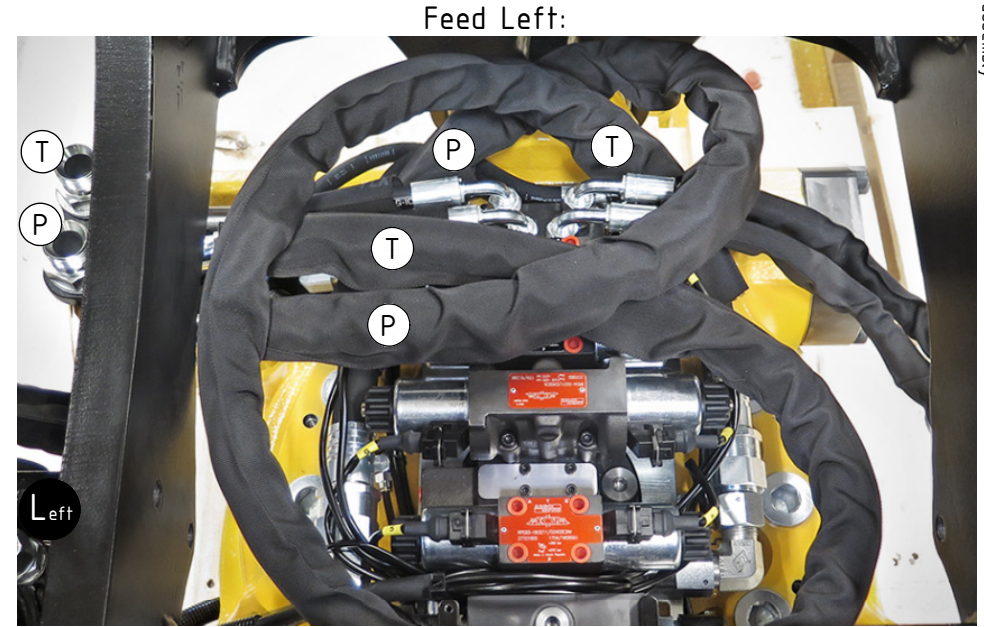
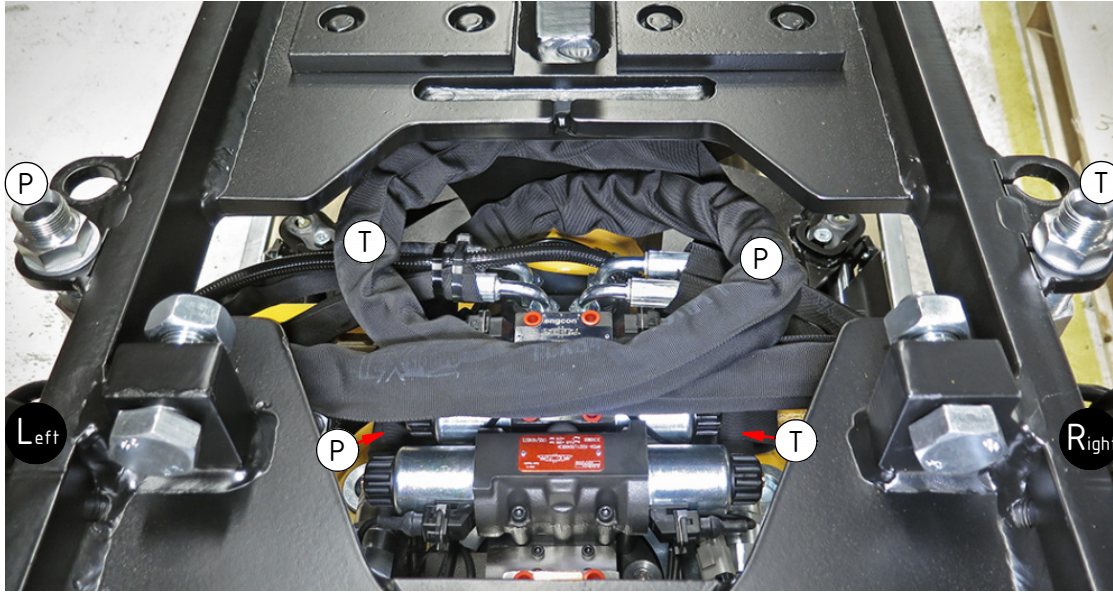
ss9SQ

Standard



## FEED 3/4" (Std)

POS	DESCRIPTION	PART	QTY	COMMENTS
28	Cable tie 7,8x360	1021587	1	
	Attach feed hoses from control system			(a & b represents channels on feed block)





FEED  
1/2"

POS	DESCRIPTION	PART	QTY	COMMENTS
	Attach feed hoses from control system			(a & b represents channels on feed block)

POS in order of assembly

