

## COVERSHEET

### Planned document changes:

**Briefly:**

---

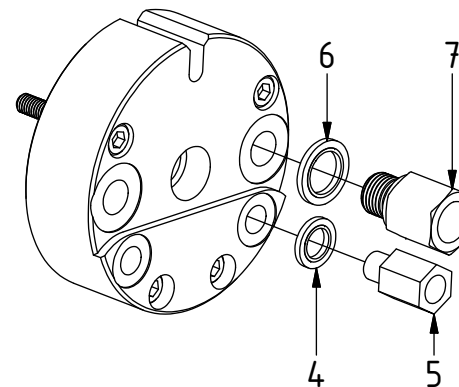
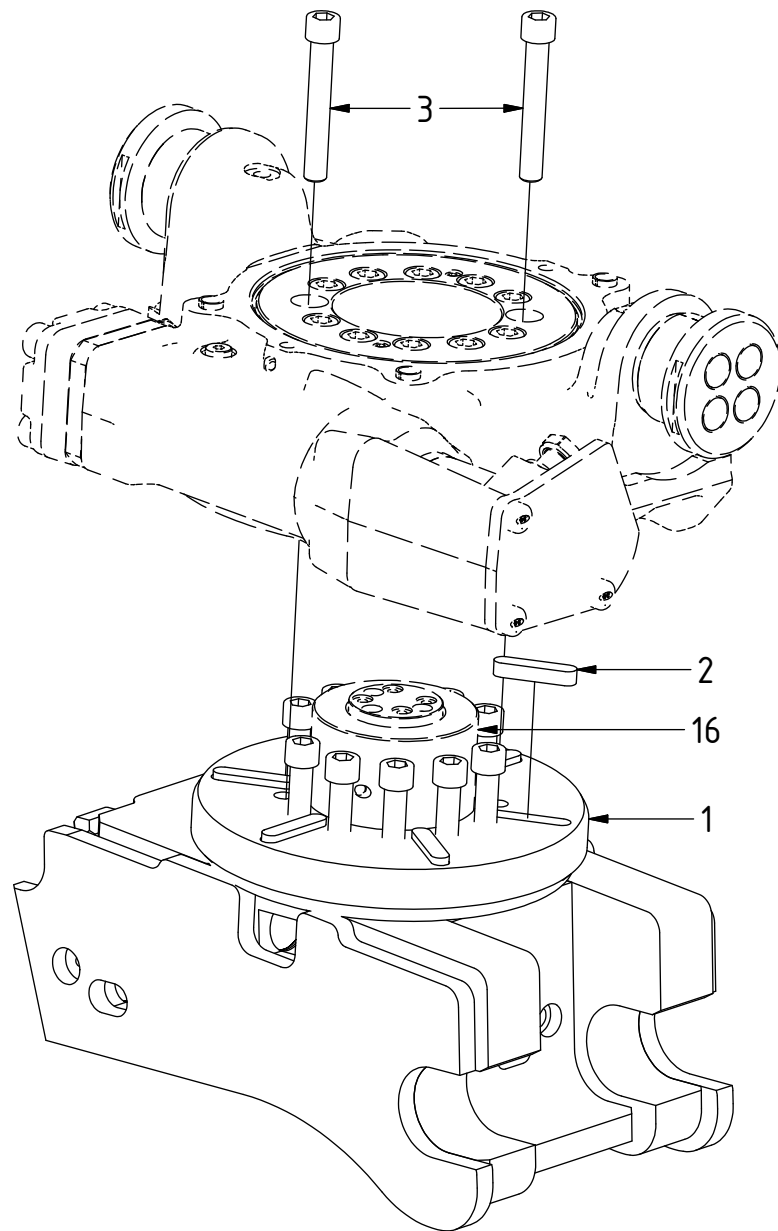
No planned changes.

### Document changes:

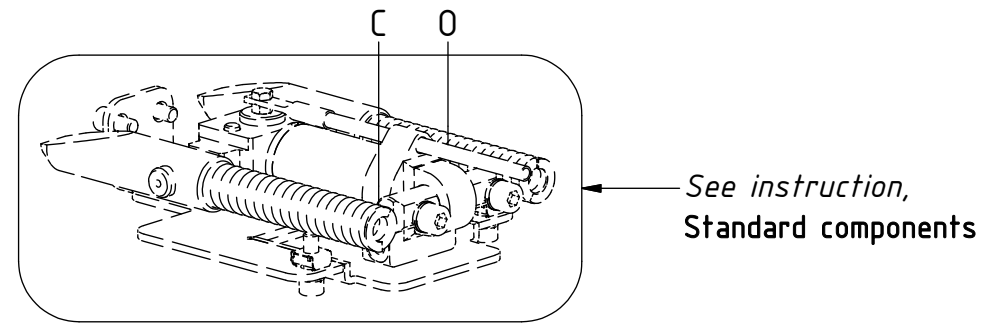
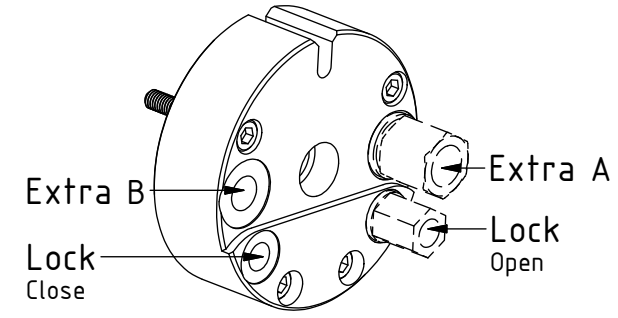
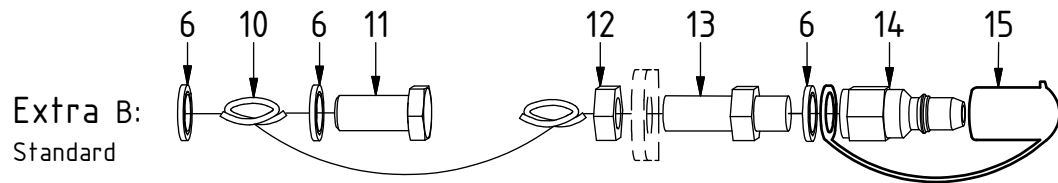
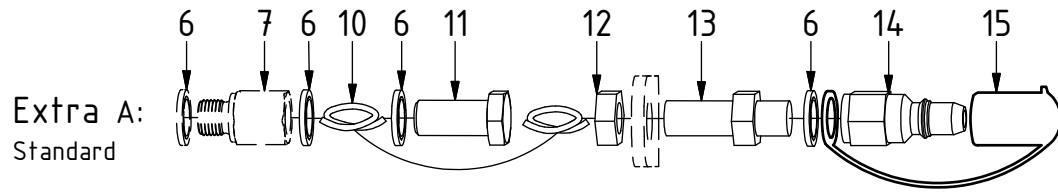
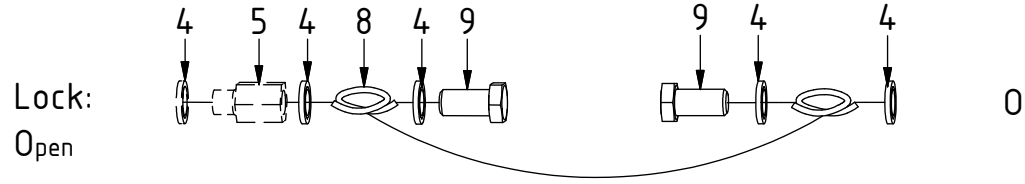
<b>Date:</b>	<b>Change:</b>	<b>Rev. after change:</b>
2021-11-24	Layout/irrelevant.	C
2021-05-11	Screws updated to ZFSHL.	B
2018-06-21	Hose Extra updated. Photo replaced.	A
2018-01-30	New instruction.	-

# EC204 - HS03EC

POS	DESCRIPTION	PART	QTY	COMMENTS
1	Hitch HS03EC EC204	1037095	1	
2	Feather Key	650101	6	
3	MC6S 12x80 12.9 ZFSL	6000148	12	Torque: 136Nm
4	Sealing washer 1/8"	710701	9	
5	Adapter 236-02-02	710129	1	
6	Washer GBR04 1/4	710702	7	
7	Adapter 1/4"	1013885	1	
16	Swivel with Connection block Complete	1028504	1	Part of control system assembly See "Valve blocks & swivels"



POS	DESCRIPTION	PART	QTY	COMMENTS
4	Sealing washer 1/8"	710701	9	
5	Adapter 236-02-02	710129	1	
6	Washer GBR04 1/4	710702	7	
7	Adapter 1/4"	1013885	1	
8	Hose Lock	7000110	2	
9	Banjobolt	710277	4	
10	Hose Extra	7000111	2	
11	Banjobolt 1/4"	710271	2	
12	Bulkhead adapter nut 1/4"	710250	2	
13	Bulkhead adapter 1/4"	710240	2	
14	Quick Coupler 1/4" Male 2520	790111	2	
15	Dust protection	790119	2	



# EC204 - HS03EC

POS	DESCRIPTION	PART	QTY	COMMENTS
8	Hose Lock	7000110	2	
10	Hose Extra	7000111	2	

