

## COVERSHEET

### Planned document changes:

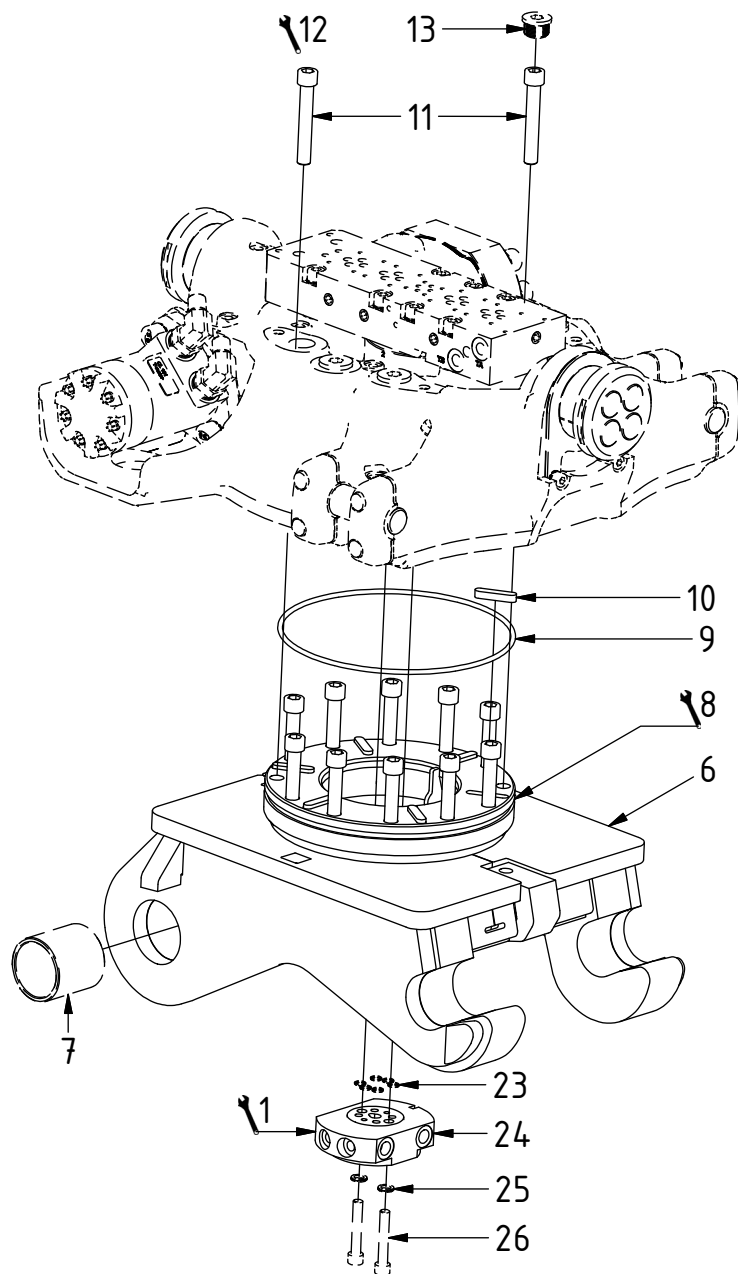
**Briefly:**

POS.9 replaced by 7001663.

### Document changes:

<u>Date:</u>	<u>Change:</u>	<u>Rev. after change:</u>
2018-08-20	Layout/irrelevant.	A
2017-08-07	New instruction.	-

# EC209 - SW33EC V2



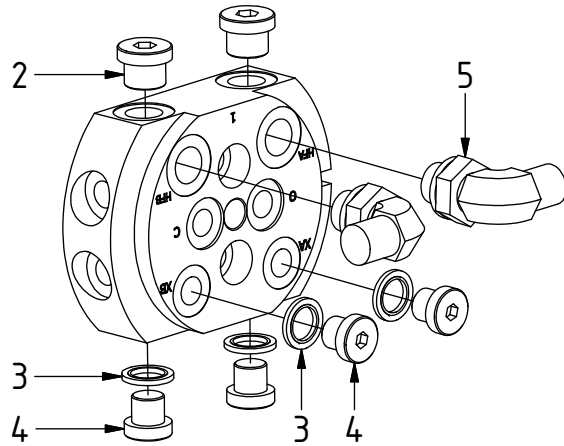
POS	DESCRIPTION	PART	QTY	COMMENTS
1	See p.3 connection block config.			
6	Quick hitch SW33EC V2 EC209	1038554	1	(POS.7 included)
7	Bushing 60x70x70	6000014	2	
8	Grease the ring			
9	O-ring	710965	1	
10	Feather Key	650101	6	
11	Screw MC6S 14x90	610510	12	Torque: 217Nm
12	Torque tighten quick hitch to rotator frame, six holes. Rotate to access the remaining holes			
13	Plug M26	650409	1	Part of rotator frame assembly
23	O-ring 9,25x1,78	710901	6	Part of rotator frame assembly
24	Anslutningsblock EC209	1025502	1	Part of rotator frame assembly
25	Washer NL10	611041	2	Part of rotator frame assembly
26	Screw MC6S 10x60	610460	2	Part of rotator frame assembly

# EC209 - SW33EC V2

Standard

POS	DESCRIPTION	PART	QTY	COMMENTS
2	Plug 3/8"	711504	2	
3	Washer GBR04 1/4	710702	12	
4	Plug 1/4"	711505	4	
5	Adapter 90° 3/8"	710152	2	

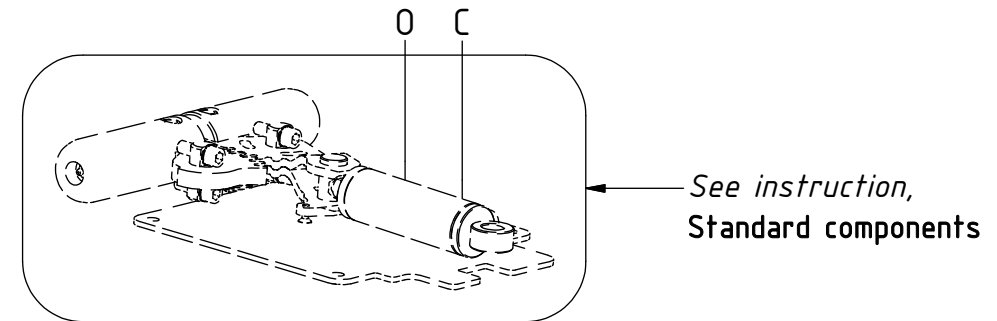
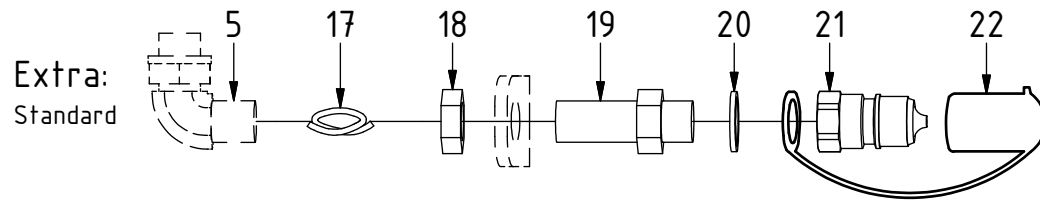
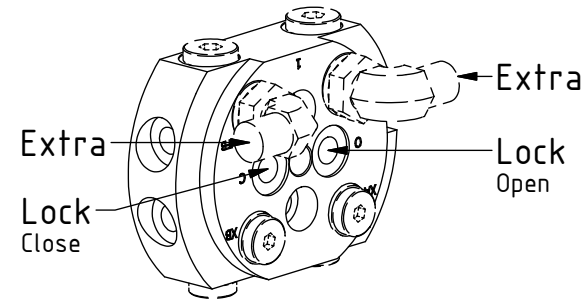
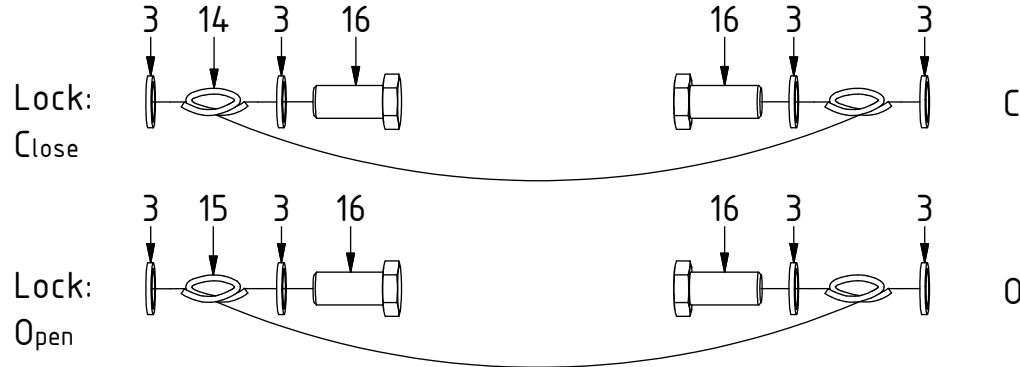
POS in order of assembly



# EC209 - SW33EC V2

POS in order of assembly

POS	DESCRIPTION	PART	QTY	COMMENTS
3	Washer GBR04 1/4	710702	12	
5	Adapter 90° 3/8"	710152	2	
14	Hose Lock Close	7000363	1	
15	Hose Lock Open	7000364	1	
16	Banjobolt 1/4"	710271	4	
17	Hose Extra	7000365	2	
18	Bulkhead adapter nut 3/8"	710252	2	
19	Bulkhead adapter 3/8"	710242	2	
20	Washer GBR06 3/8	710703	2	
21	Quick coupling 3/8"	790113	2	
22	Dust protection 3/8"	790120	2	



# EC209 - SW33EC V2

POS	DESCRIPTION	PART	QTY	COMMENTS
14	Hose Lock Close	7000363	1	
15	Hose Lock Open	7000364	1	
17	Hose Extra	7000365	2	

