

Top ECO70 W

COVERSHEET

Planned document changes:


Briefly:


No planned changes.

Document changes:

Date:	Change:	Rev. after change:
2024-06-11	ss10 (DC2/SVAB) & ss9 ECO blocks updated.	M
2023-10-24	DC3 added.	L
2023-01-24	New std. configurations from 2023. QS80 removed.	K
2022-08-25	Torques added.	J
2021-12-08	Spare parts page updated.	I
2020-06-17	Separate powerplug for QS80 added.	H
2020-05-22	c.l lengths and adapters updated. 5hyd added.	G
2019-05-07	Powerplug replaced. Spare parts page added.	F
2019-03-22	Torques added.	E
2018-12-13	Adapters and plugs for Top brackets added.	D
2018-11-09	Layout/irrelevant.	C
2018-06-21	Layout/irrelevant.	B
2018-04-27	Separate pipe stub for EC233 added.	A
2018-03-09	New document.	-

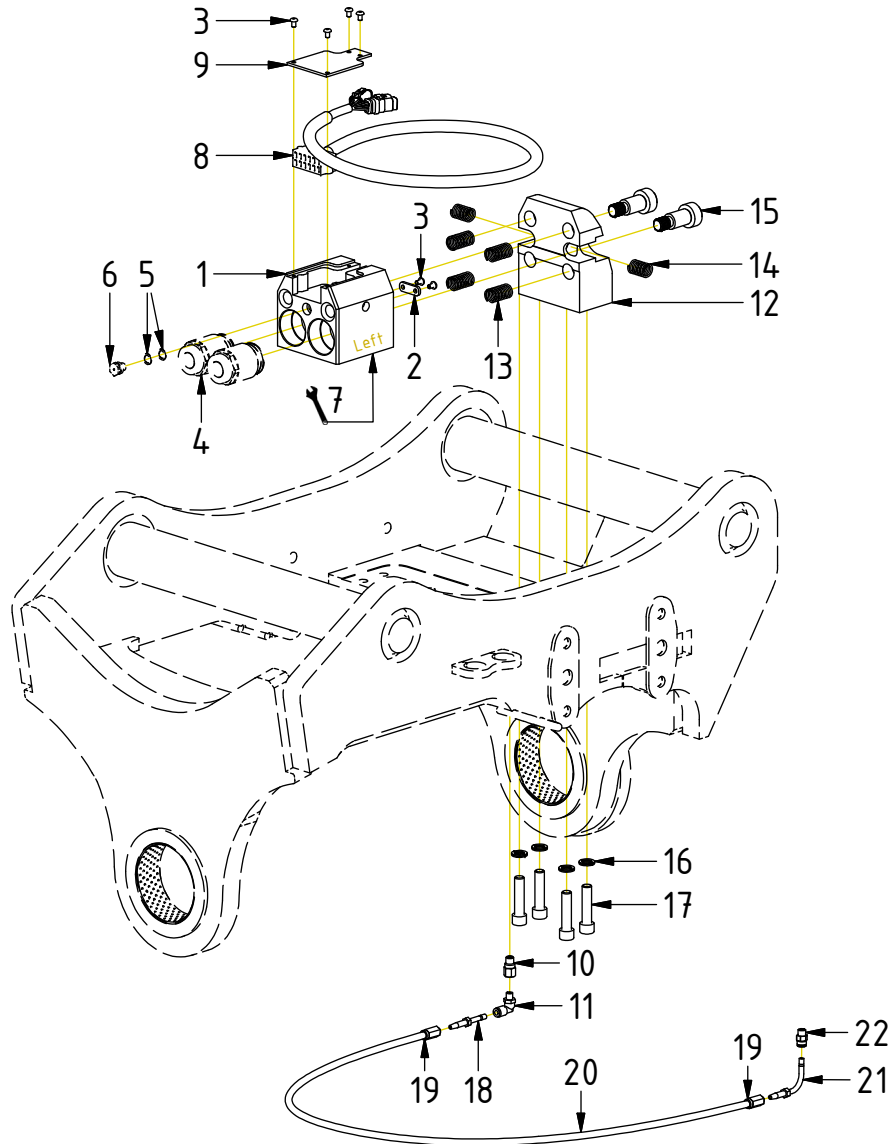
Readers note:

 Indicates instruction.

 Represents Hose.

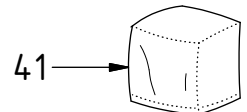
Dashed lines for overview, mounts
on other pages/assemblies.

QS70
DC3

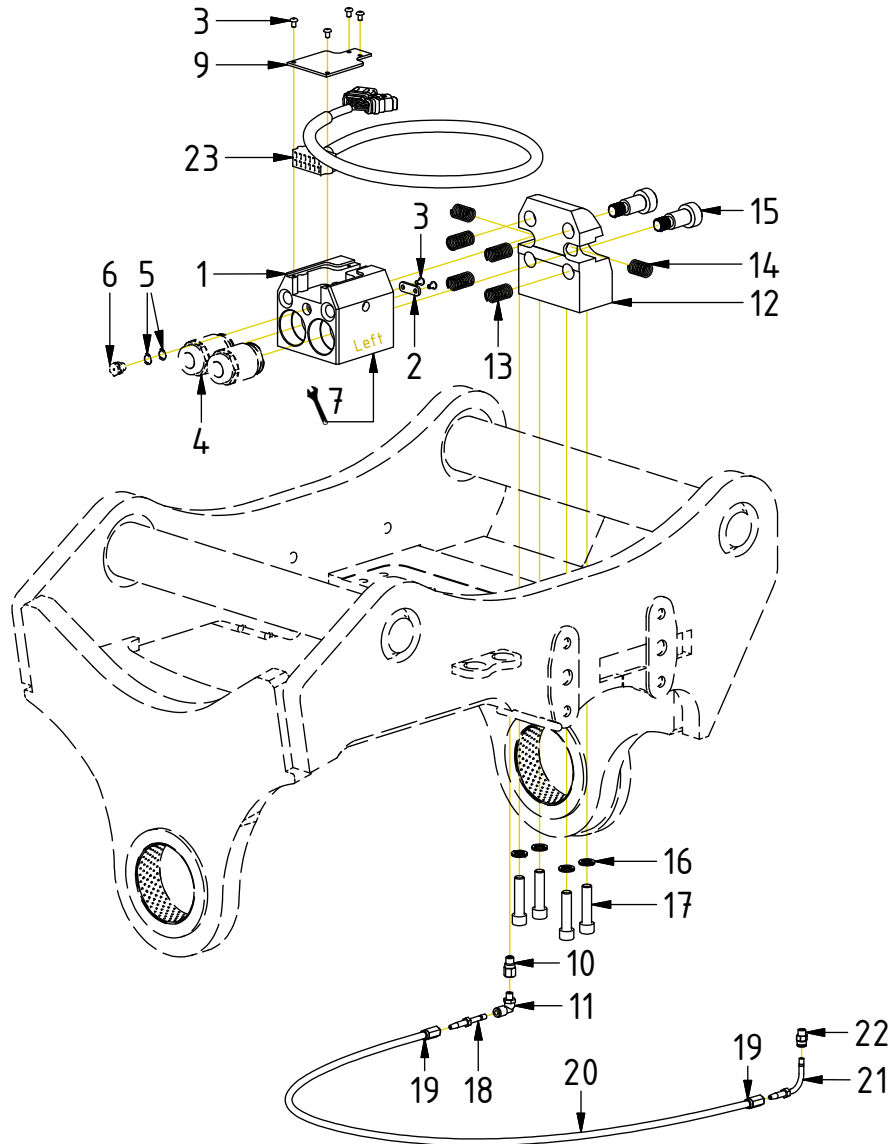


POS	DESCRIPTION	PART	QTY	COMMENTS
1	Block ECO70W Top 2hy.1cl. Complete	1074026	1	(POS.4-6 incl.)
2	Cable clamp	1074897	1	
3	Screw K6S M5x8 10.9 FZB	611801	6	
4	Coupling ECO70 3/4" male	1029142	2	Torque: 60Nm
5	Washer Copper 14x10	6000065	2	
6	Button head fitting 1/8" stainless	810505	1	Loxeal 58-12. Torque: 30Nm
7	Adapters according to Top part			See "Top part"
8	Power plug ECO70 W Top (4S, 6S)	8002111	1	Cable gland torque: 6Nm
9	Coverplate ECO70 W Top	1042239	1	
10	Extender M8x1-M8x1 18mm	7000688	1	Loxeal 58-12
11	Push-in swivel 90° M8x1	790173	1	Loxeal 58-12
12	Attachment block ECO70 W Top	1042233	1	
13	Spring 18x35	1024794	4	
14	Spring	6000125	2	
15	Shoulder bolt ø20x30/M16	611710	2	Loxeal 83-52
16	Washer NL 12mm	611042	4	
17	Screw MC6S M12x50 12.9	610478	4	Torque: 136Nm
18	Pipe stub straight Push-in	790175	1	
19	Screw socket HT-hose ø8,6mm	7000585	1	
20	Grease hose bulk 100m	7001303	1	EC226: 1075mm. Top bracket: 2000mm
21	Pipe stub 90° Push-in	7000318	1	
22	Push-in R1/8"	790172	1	Loxeal 58-12
41	Transport Protection ECO-Block	1035200	1	Part of make up

POS in order of assembly

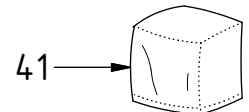


QS70
DC2 Std. config.

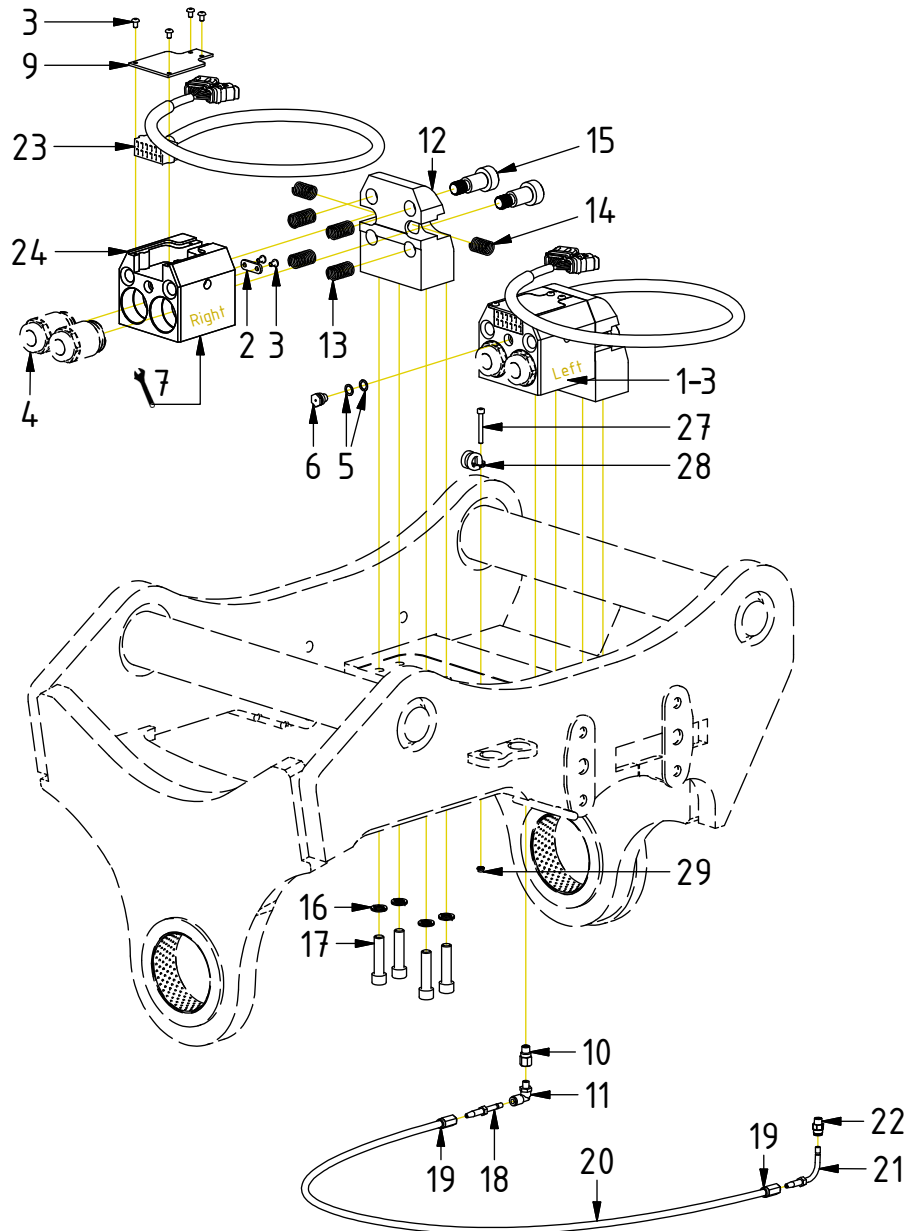


POS	DESCRIPTION	PART	QTY	COMMENTS
1	Block ECO70W Top 2hy.1cl. Complete	1074026	1	(POS.4-6 incl.)
2	Cable clamp	1074897	1	
3	Screw K6S M5x8 10.9 FZB	611801	6	
4	Coupling ECO70 3/4" male	1029142	2	Torque: 60Nm
5	Washer Copper 14x10	6000065	2	
6	Button head fitting 1/8" stainless	810505	1	Loxeal 58-12. Torque: 30Nm
7	Adapters according to Top part			See "Top part"
9	Coverplate ECO70 W Top	1042239	1	
10	Extender M8x1-M8x1 18mm	7000688	1	Loxeal 58-12
11	Push-in swivel 90° M8x1	790173	1	Loxeal 58-12
12	Attachment block ECO70 W Top	1042233	1	
13	Spring 18x35	1024794	4	
14	Spring	6000125	2	
15	Shoulder bolt ø20x30/M16	611710	2	Loxeal 83-52
16	Washer NL 12mm	611042	4	
17	Screw MC6S M12x50 12.9	610478	4	Torque: 136Nm
18	Pipe stub straight Push-in	790175	1	
19	Screw socket HT-hose Ø8,6mm	7000585	1	
20	Grease hose bulk 100m	7001303	1	EC226: 1075mm. Top bracket: 2000mm
21	Pipe stub 90° Push-in	7000318	1	
22	Push-in R1/8"	790172	1	Loxeal 58-12
23	Power plug ECO70 W Top (12S, 6S)	8000781	1	Cable gland torque: 6Nm
41	Transport Protection ECO-Block	1035200	1	Part of make up

POS in order of assembly

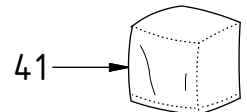
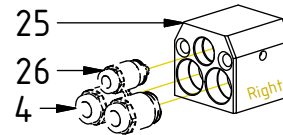


QS70
DC2 Option 2bl.



POS	DESCRIPTION	PART	QTY	COMMENTS
1	Block ECO70W Top 2hy.1cl. Complete	1074026	1	(POS.4-6 incl.)
2	Cable clamp	1074897	1	
3	Screw K6S M5x8 10.9 FZB	611801	6	
4	Coupling ECO70 3/4" male	1029142	2	Torque: 60Nm
5	Washer Copper 14x10	6000065	2	
6	Button head fitting 1/8" stainless	810505	1	Loxeal 58-12. Torque: 30Nm
7	Adapters according to Top part			See "Top part"
9	Coverplate ECO70 W Top	1042239	1	
10	Extender M8x1-M8x1 18mm	7000688	1	Loxeal 58-12
11	Push-in swivel 90° M8x1	790173	1	Loxeal 58-12
12	Attachment block ECO70 W Top	1042233	1	
13	Spring 18x35	1024794	4	
14	Spring	6000125	2	
15	Shoulder bolt \varnothing 20x30/M16	611710	2	Loxeal 83-52
16	Washer NL 12mm	611042	4	
17	Screw MC6S M12x50 12.9	610478	4	Torque: 136Nm
18	Pipe stub straight Push-in	790175	1	
19	Screw socket HT-hose \varnothing 8,6mm	7000585	1	
20	Grease hose bulk 100m	7001303	1	EC226: 1075mm. Top bracket: 2000mm
21	Pipe stub 90° Push-in	7000318	1	
22	Push-in R1/8"	790172	1	Loxeal 58-12
23	Power plug ECO70 W Top (12S, 6S)	8000781	1	Cable gland torque: 6Nm
24	Block ECO70W Top 2hy. Complete	1076519	1	(POS.4 incl.)
25	Block ECO70 W Top 3hy. Complete	1052828	1	(POS.4, 26 incl.)
26	Coupling ECO 1/2" male V2	1027633	1	Torque: 60Nm
27	Screw MC6S M5x40 12.9	610405	1	
28	Rubber steel clamp \varnothing 16	6000009	1	
29	Lock Nut M6M M5x0,8 8,8 FZB	610920	1	
41	Transport Protection ECO-Block	1035200	1	Part of make up

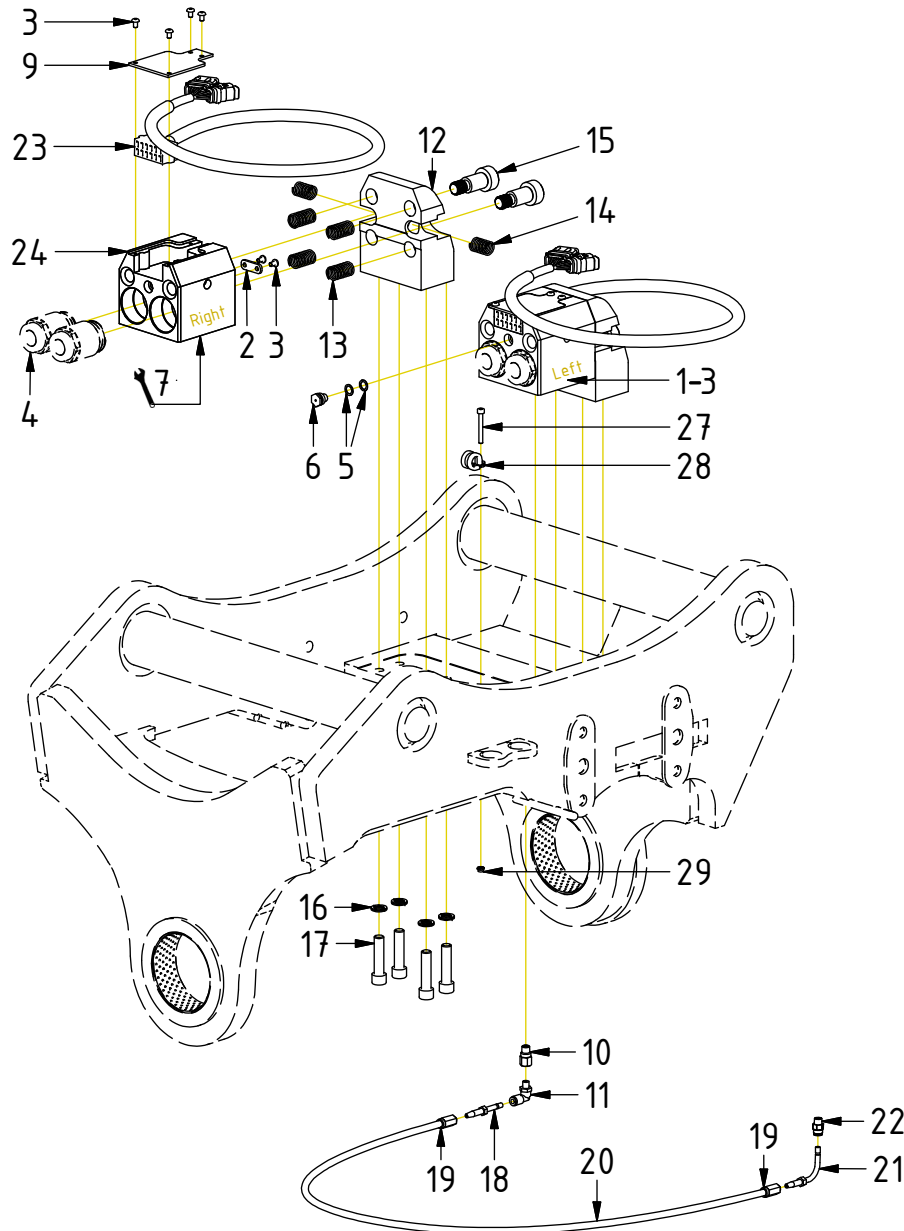
Option 5 hyd:



POS in order of assembly

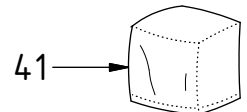
QS70

ss9 & ss10 (SVAB)



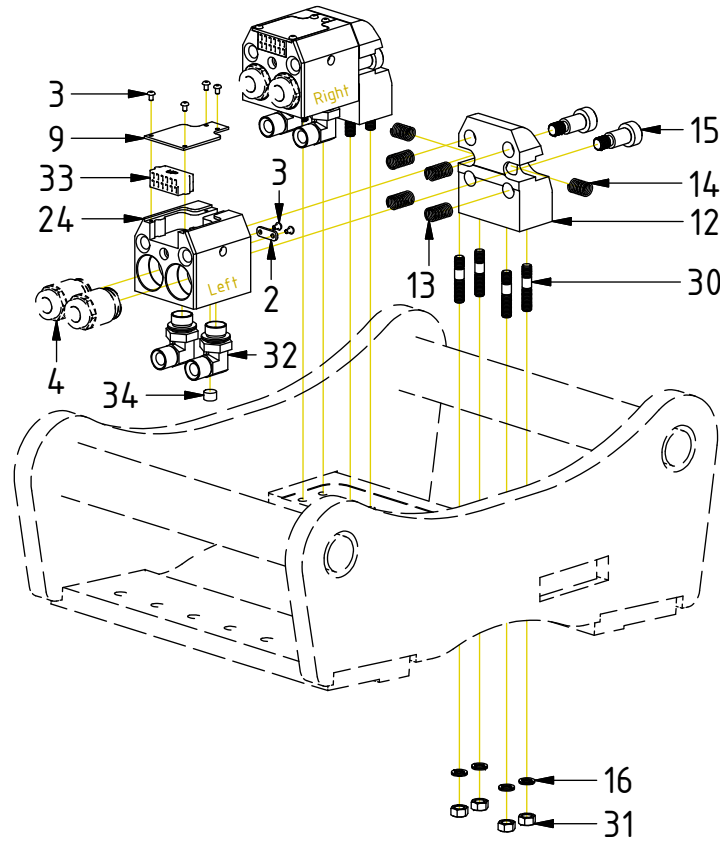
POS	DESCRIPTION	PART	QTY	COMMENTS
1	Block ECO70W Top 2hy.1cl. Complete	1074026	1	(POS.4-6 incl.)
2	Cable clamp	1074897	1	
3	Screw K6S M5x8 10.9 FZB	611801	6	
4	Coupling ECO70 3/4" male	1029142	2	Torque: 60Nm
5	Washer Copper 14x10	6000065	2	
6	Button head fitting 1/8" stainless	810505	1	Loxeal 58-12. Torque: 30Nm
7	Adapters according to Top part			See "Top part"
9	Coverplate ECO70 W Top	1042239	1	
10	Extender M8x1-M8x1 18mm	7000688	1	Loxeal 58-12
11	Push-in swivel 90° M8x1	790173	1	Loxeal 58-12
12	Attachment block ECO70 W Top	1042233	1	
13	Spring 18x35	1024794	4	
14	Spring	6000125	2	
15	Shoulder bolt ø20x30/M16	611710	2	Loxeal 83-52
16	Washer NL 12mm	611042	4	
17	Screw MC6S M12x50 12.9	610478	4	Torque: 136Nm
18	Pipe stub straight Push-in	790175	1	
19	Screw socket HT-hose ø8,6mm	7000585	1	
20	Grease hose bulk 100m	7001303	1	EC226: 1075mm. Top bracket: 2000mm
21	Pipe stub 90° Push-in	7000318	1	
22	Push-in R1/8"	790172	1	Loxeal 58-12
23	Power plug ECO70 W Top (12S, 6S)	8000781	1	Cable gland torque: 6Nm
24	Block ECO70W Top 2hy. Complete	1076519	1	(POS.4 incl.)
27	Screw MC6S M5x40 12.9	610405	1	
28	Rubber steel clamp ø16	6000009	1	
29	Lock Nut M6M M5x0,8 8,8 FZB	610920	1	
41	Transport Protection ECO-Block	1035200	1	Part of make up

POS in order of assembly



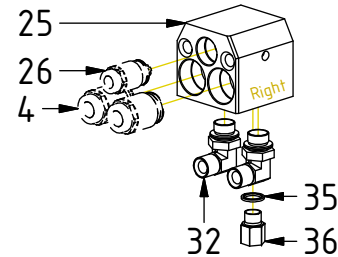
Top bracket QS70

Modular config.

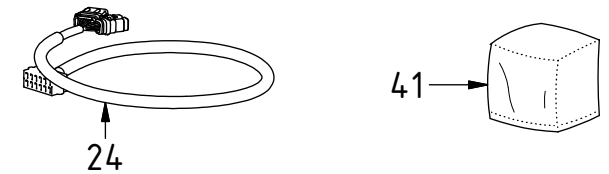


POS	DESCRIPTION	PART	QTY	COMMENTS
2	Cable clamp	1074897	1	
3	Screw K6S M5x8 10.9 FZB	611801	6	
4	Coupling ECO70 3/4" male	1029142	2	Torque: 60Nm
9	Coverplate ECO70 W Top	1042239	1	
12	Attachment block ECO70 W Top	1042233	1	
13	Spring 18x35	1024794	4	
14	Spring	6000125	2	
15	Shoulder bolt \varnothing 20x30/M16	611710	2	Loxeal 83-52
16	Washer NL 12mm	611042	4	
23	Power plug ECO70 W Top (12S, 6S)	8000781	1	Cable gland torque: 6Nm
24	Block ECO70W Top 2hy. Complete	1076519	1	(POS.4 incl.)
25	Block ECO70 W Top 3hy. Complete	1052828	1	(POS.4, 26 incl.)
26	Coupling ECO 1/2" male V2	1027633	1	Torque: 60Nm
30	Stud bolt M12x45	611186	8	
31	Hex. Nut M12	611103	4	Torque: 115Nm
32	Adapter 401-12-12 90° (3/4")	712201	2	
33	Plug ECO W - Top	1042918	1	
34	Pipe plug DIN 906 M16x1,5	711529	1	
35	Washer GBR08 1/2	710704	1	
36	Adapter 235-08-06	7000705	1	
41	Transport Protection ECO-Block	1035200	1	Part of make up

Option 5 hyd:



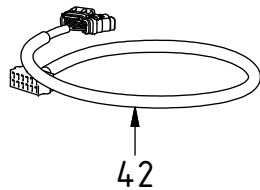
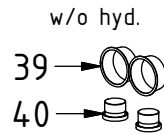
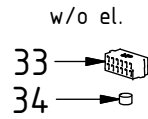
Option 1 el:



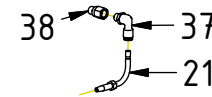
POS in order of assembly

SPARE PARTS

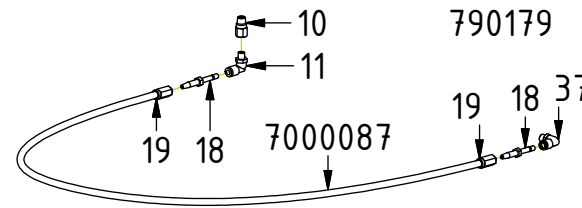
POS	DESCRIPTION	PART	QTY	COMMENTS
5	Washer Copper 14x10	6000065	2	
6	Button head fitting 1/8" stainless	810505	1	Loxéal 58-12. Torque: 30Nm
10	Extender M8x1-M8x1 18mm	7000688	1	Loxéal 58-12
11	Push-in swivel 90° M8x1	790173	1	Loxéal 58-12
18	Pipe stub straight Push-in	790175	1	
19	Screw socket HT-hose Ø8,6mm	7000585	1	
20	Grease hose bulk 100m	7001303	1	EC226: 1075mm. Top bracket: 2000mm
21	Pipe stub 90° Push-in	7000318	1	
23	Power plug ECO70 W Top (12S, 6S)	8000781	1	Cable gland torque: 6Nm
33	Plug ECO W - Top	1042918	1	
34	Pipe plug DIN 906 M16x1,5	711529	1	
37	Adapter 90° Push-in - swivel	790184	1	Loxéal 58-12
38	Extender 25/17mm KR1/8"-R1/8"	7000578	1	Loxéal 58-12
39	Protection plug ECO70 Top	7000157	2	
40	Plug 70125-12 (3/4")	711532	2	
42	Power plug ECO W Top	1042240	1	Replaced by POS.23 from 2019-05



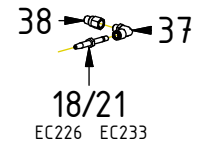
c.l until 2021-01:



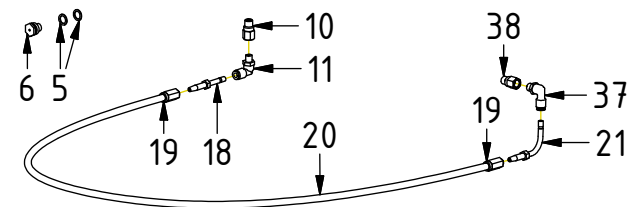
c.l kit until 2020-01:



ECHF until 2020-01:



Top brackets:



POS in order of assembly