

COVERSHEET

Planned document changes:

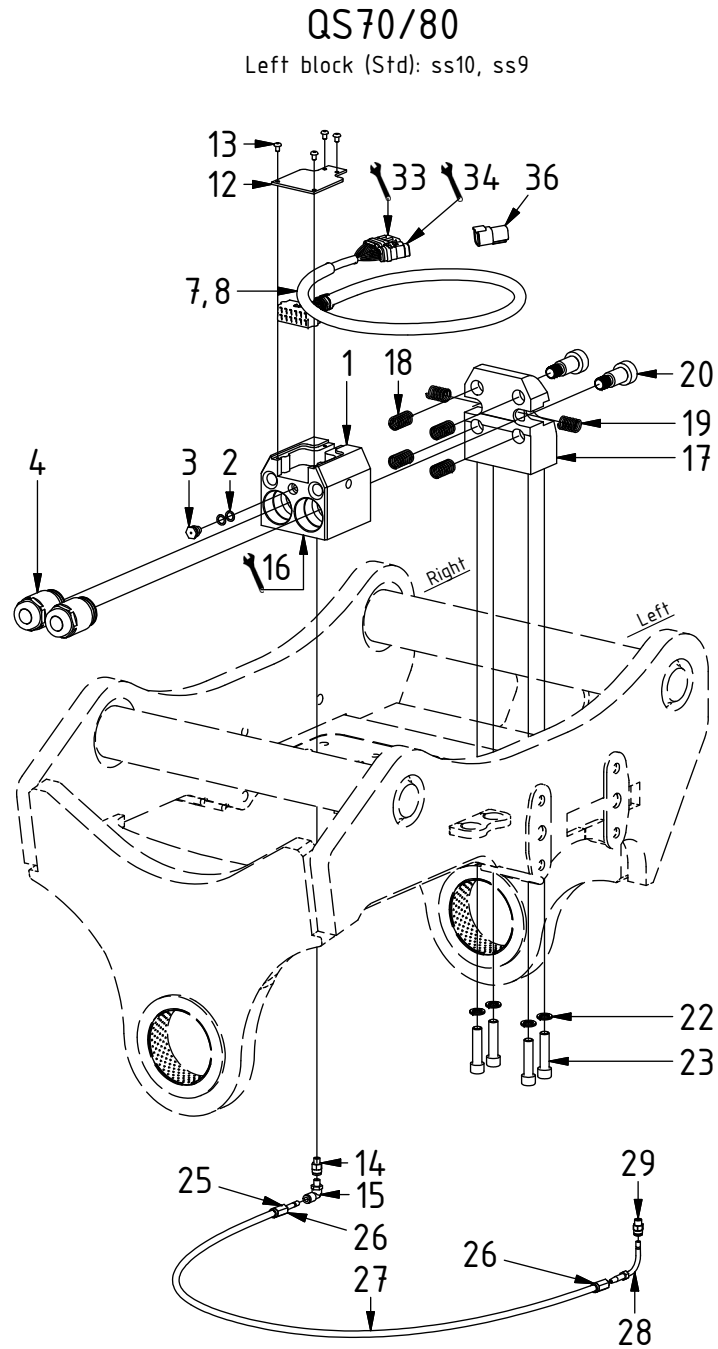
Briefly:

No planned changes.

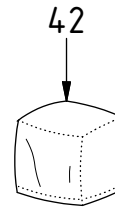
Document changes:

Date:	Change:	Rev. after change:
2021-12-08	Spare parts page updated.	I
2020-06-17	Separate powerplug for QS80 added.	H
2020-05-22	c.l lengths and adapters updated. 5 hyd added.	G
2019-05-07	Powerplug replaced. Spare parts page added.	F
2019-03-22	Torque for left block details added.	E
2018-12-13	Adapters and plugs for Top brackets added.	D
2018-11-09	Comments corrected.	C
2018-06-21	Layout/irrelevant.	B
2018-04-27	Pipe stub for EC233 added.	A
2018-03-09	New instruction.	-

Top ECO70 W

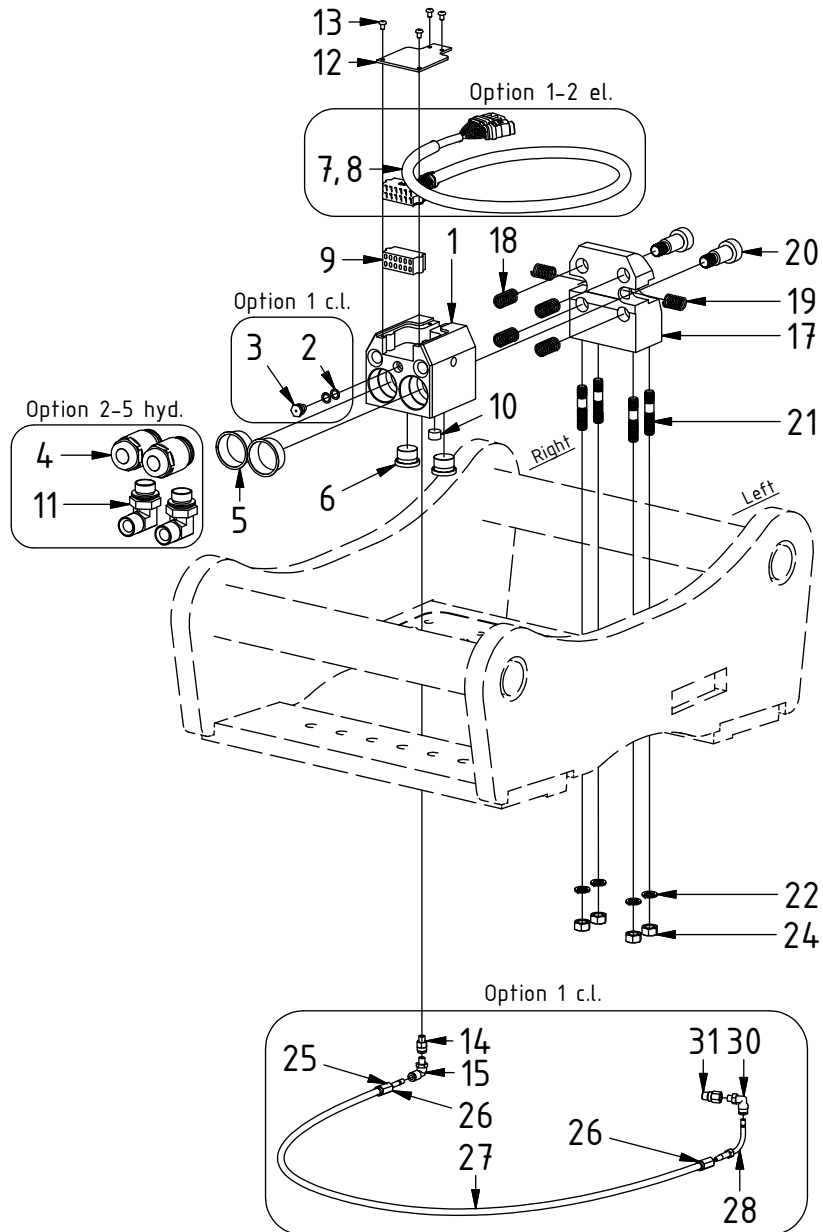


POS	DESCRIPTION	PART	QTY	COMMENTS
1	Block ECO70 W Top	1042231	1	
2	Washer - Copper 14x10	6000065	2	
3	Button head fitting 1/8" stainless	810505	1	Loctite 5400. Torque: 30Nm
4	Coupling ECO70 3/4" male	1029142	2	Torque: 60Nm
7	Power plug ECO70W Top QS70	8000781	1	
8	Power plug ECO70W Top QS80	8001211	1	
12	Cover plate ECO70 W Top	1042239	1	
13	Screw K6S 5x8	611801	4	
14	Extender M8x1-M8x1 18mm	7000688	1	Loctite 5400
15	Push-in swivel 90° M8x1	790173	1	Loctite 5400
16	Adapters according to Top part			See "Top part"
17	Attachment block ECO70 W Top	1042233	1	
18	Spring 18x35	1024794	4	
19	Spring	6000125	2	
20	Shoulder bolt ø20x30/M16	611710	2	Loctite 2700
22	Washer NL 12mm	611042	4	
23	Screw MC6S 12x50	610478	4	
25	Pipe stub straight Push-in	790175	1	
26	Screw socket HT-hose	7000585	2	
27	Grease hose bulk 100m	7001303	1	Cut to length: 1075mm for EC226, 1300mm for EC233
28	Pipe stub 90° Push-in	7000318	1	
29	Push-in koppl EC209 R1/8"	790172	1	Loctite 5400
33	12P, connect to adapter cable			See "Std Valves & cables"
34	6P, connect to Q-Safe connector (DC2: plug or connect to ePS cable)			See "Std Valves & cables"
36	Protection plug 6P	8000090	1	When 6P is not used
42	Transport Protection Block ECO70	1035200	1	QTY: 2 for 2Bl. Part of make up

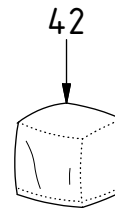


QS70/80

Left block (Std): Top bracket

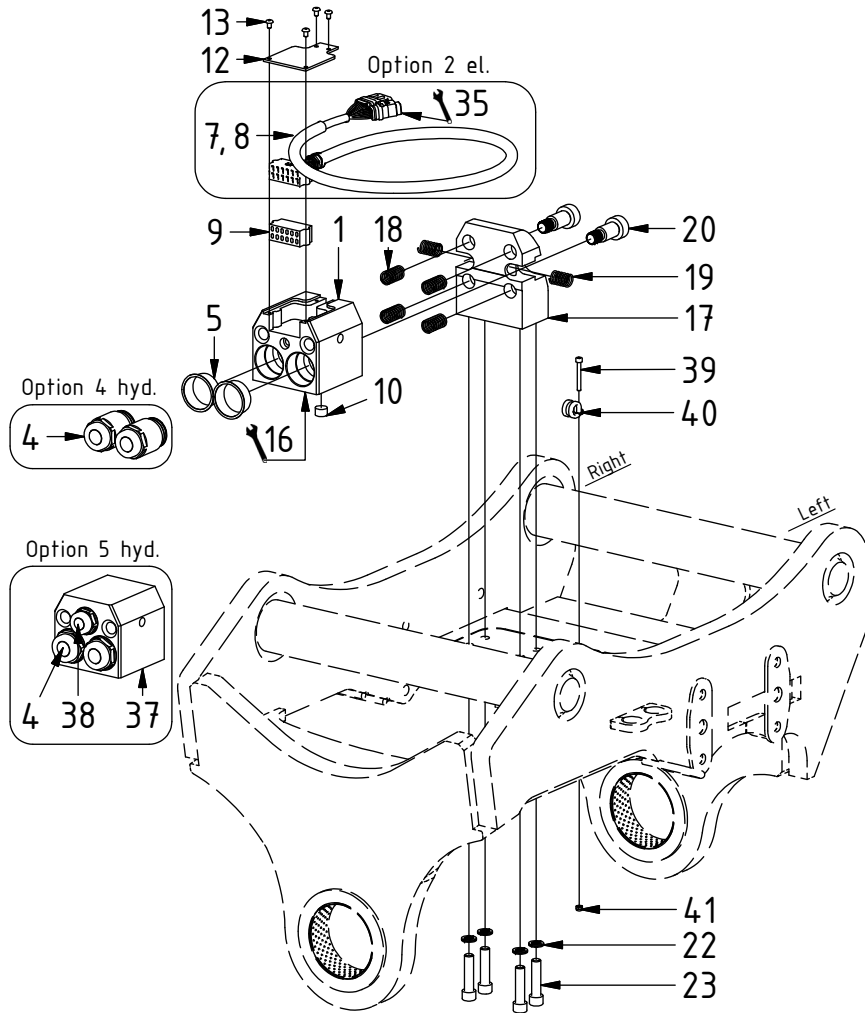


POS	DESCRIPTION	PART	QTY	COMMENTS
1	Block ECO70 W Top	1042231	1	
2	Washer - Copper 14x10	6000065	2	
3	Button head fitting 1/8" stainless	810505	1	Loctite 5400. Torque: 30Nm
4	Coupling ECO70 3/4" male	1029142	2	Torque: 60Nm
5	Protection plug ECO70 Hyd	7000157	2	
6	Plug 70125-12 (3/4")	711532	2	Used with POS.5
7	Power plug ECO70W Top QS70	8000781	1	
8	Power plug ECO70W Top QS80	8001211	1	
9	Plug ECO W - Top	1042918	1	
10	Pipe plug DIN 906 M16x1,5	711529	1	Used with POS.9
11	Adapter 401-12-12 90° (3/4")	712201	2	
12	Cover plate ECO70 W Top	1042239	1	
13	Screw K6S 5x8	611801	4	
14	Extender M8x1-M8x1 18mm	7000688	1	Loctite 5400
15	Push-in swivel 90° M8x1	790173	1	Loctite 5400
17	Attachment block ECO70 W Top	1042233	1	
18	Spring 18x35	1024794	4	
19	Spring	6000125	2	
20	Shoulder bolt ø20x30/M16	611710	2	Loctite 2700
21	Stud bolt 12x45	611186	4	Loctite 2700
22	Washer NL 12mm	611042	4	
24	Hex Nut M12	611103	4	
25	Pipe stub straight Push-in	790175	1	
26	Screw socket HT-hose	7000585	2	
27	Grease hose bulk 100m	7001303	1	Cut to length: 1075mm for EC226, 1300mm for EC233
28	Pipe stub 90° Push-in	7000318	1	
30	Adapter 90° Push-in - M8x1	790184	1	Loctite 5400
31	Extender 25/17mm KR1/8"-R1/8"	7000578	1	Loctite 5400
42	Transport Protection Block ECO70	1035200	1	QTY: 2 for 2Bl. Part of make up



QS70/80

Right block: DC2/MACS Options 2Bl.



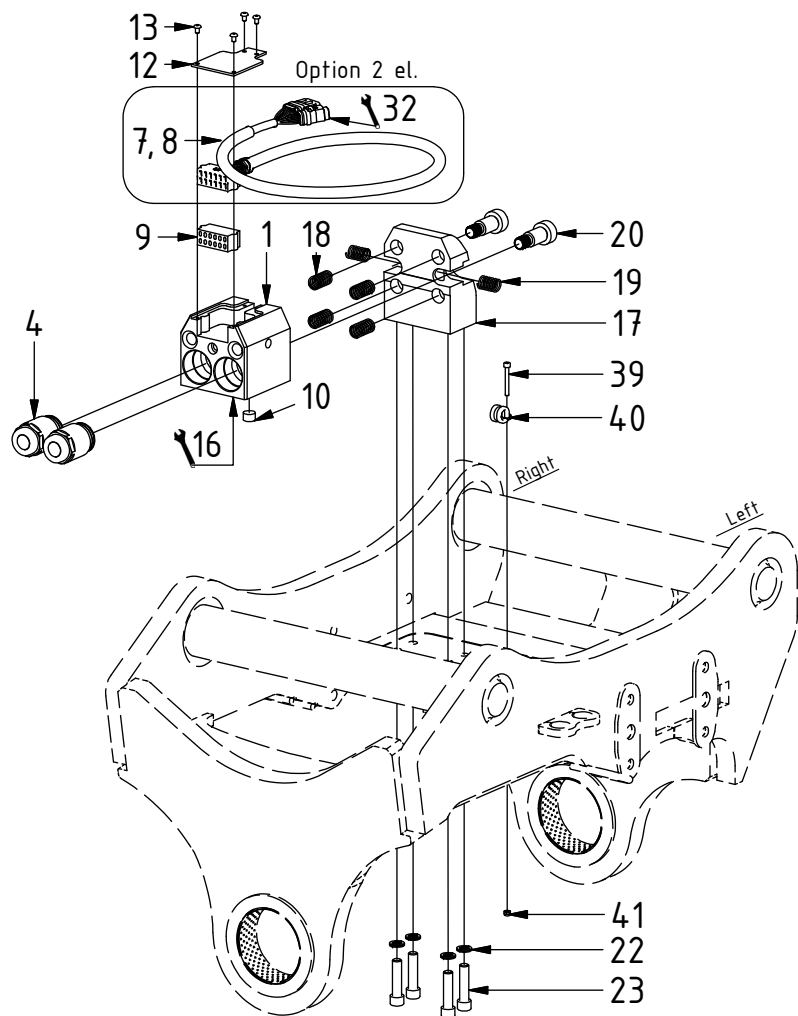
POS	DESCRIPTION	PART	QTY	COMMENTS
1	Block ECO70 W Top	1042231	1	
4	Coupling ECO70 3/4" male	1029142	2	Torque: 60Nm
5	Protection plug ECO70 Hyd	7000157	2	
7	Power plug ECO70W Top QS70	8000781	1	
8	Power plug ECO70W Top QS80	8001211	1	
9	Plug ECO W - Top	1042918	1	
10	Pipe plug DIN 906 M16x1,5	711529	1	Used with POS.9
12	Cover plate ECO70 W Top	1042239	1	
13	Screw K6S 5x8	611801	4	
16	Adapters according to Top part			See "Top part"
17	Attachment block ECO70 W Top	1042233	1	
18	Spring 18x35	1024794	4	
19	Spring	6000125	2	
20	Shoulder bolt \varnothing 20x30/M16	611710	2	Loctite 2700
22	Washer NL 12mm	611042	4	
23	Screw MC6S 12x50	610478	4	
35	6P, connect to slip ring when "1 el." on EC-Hitch			See "Slip rings" (additional cables)
37	Block ECO70 W 3-hyd Top	1047970	1	
38	Coupling ECO 1/2" male V2	1027633	1	Torque: 60Nm
39	Screw MC6S 5x40	610405	1	For ss10(SVAB) & Option 2 el.
40	Rubber steel clamp \varnothing 16	6000009	1	For ss10(SVAB) & Option 2 el.
41	Hex Nut M5 Lock	610920	1	For ss10(SVAB) & Option 2 el.

POS in order of assembly

Top ECO70 W

QS70/80

Right block: ss9



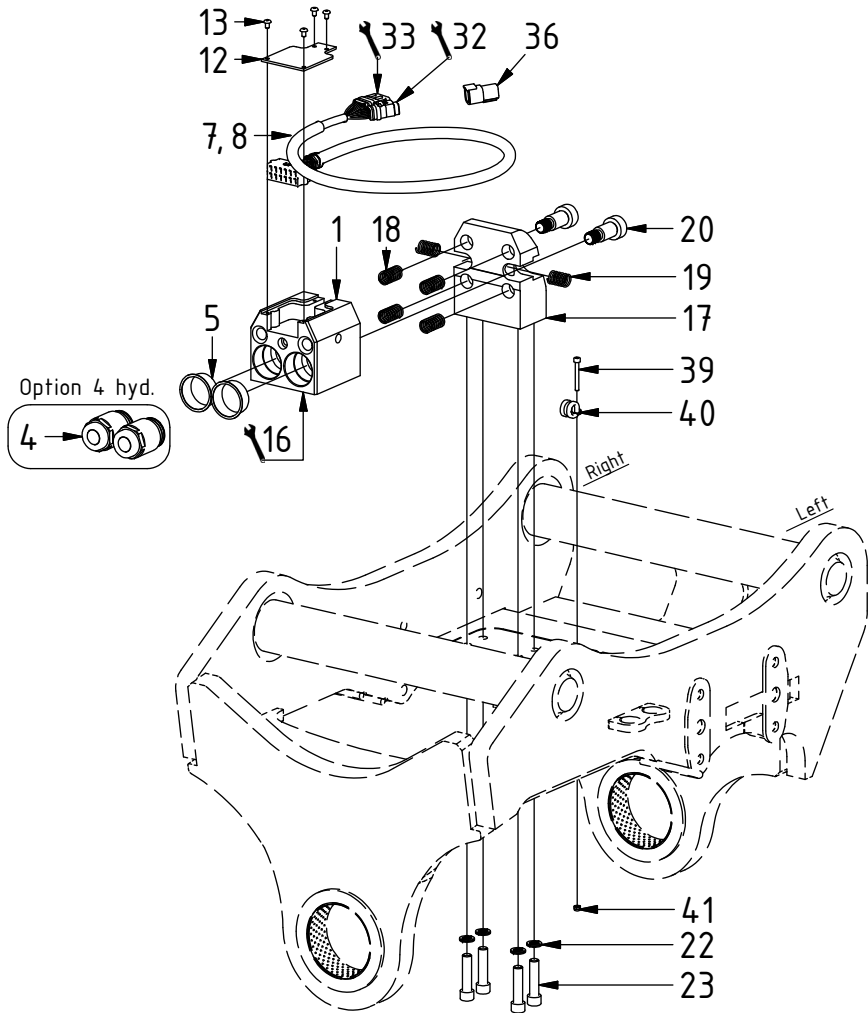
POS	DESCRIPTION	PART	QTY	COMMENTS
1	Block ECO70 W Top	1042231	1	
4	Coupling ECO70 3/4" male	1029142	2	Torque: 60Nm
7	Power plug ECO70W Top QS70	8000781	1	
8	Power plug ECO70W Top QS80	8001211	1	
9	Plug ECO W - Top	1042918	1	
10	Pipe plug DIN 906 M16x1,5	711529	1	Used with POS.9
12	Cover plate ECO70 W Top	1042239	1	
13	Screw K6S 5x8	611801	4	
16	Adapters according to Top part			See "Top part"
17	Attachment block ECO70 W Top	1042233	1	
18	Spring 18x35	1024794	4	
19	Spring	6000125	2	
20	Shoulder bolt \varnothing 20x30/M16	611710	2	Loctite 2700
22	Washer NL 12mm	611042	4	
23	Screw MC6S 12x50	610478	4	
32	6P, for ePS connect to ePS-cable			See "Std Valves & cables"
39	Screw MC6S 5x40	610405	1	For ss10(SVAB) & Option 2 el.
40	Rubber steel clamp \varnothing 16	6000009	1	For ss10(SVAB) & Option 2 el.
41	Hex Nut M5 Lock	610920	1	For ss10(SVAB) & Option 2 el.

POS in order of assembly

Top ECO70 W

QS70/80

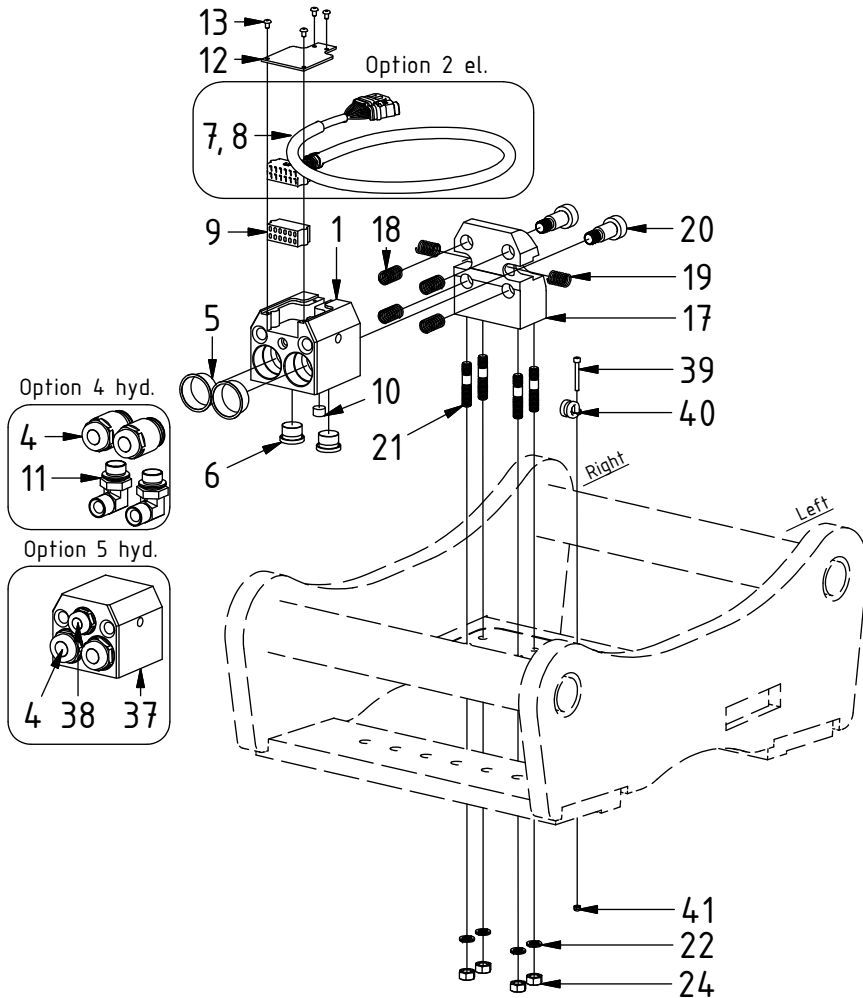
Right block: ss10 (SVAB)



POS	DESCRIPTION	PART	QTY	COMMENTS
1	Block ECO70 W Top	1042231	1	
4	Coupling ECO70 3/4" male	1029142	2	Torque: 60Nm
5	Protection plug ECO70 Hyd	7000157	2	
7	Power plug ECO70W Top QS70	8000781	1	
8	Power plug ECO70W Top QS80	8001211	1	
12	Cover plate ECO70 W Top	1042239	1	
13	Screw K6S 5x8	611801	4	
16	Adapters according to Top part			See "Top part"
17	Attachment block ECO70 W Top	1042233	1	
18	Spring 18x35	1024794	4	
19	Spring	6000125	2	
20	Shoulder bolt \varnothing 20x30/M16	611710	2	Loctite 2700
22	Washer NL 12mm	611042	4	
23	Screw MC6S 12x50	610478	4	
32	6P, for ePS connect to ePS-cable			See "Std Valves & cables"
33	12P, connect to adapter cable			See "Std Valves & cables"
36	Protection plug 6P	8000090	1	When 6P is not used
39	Screw MC6S 5x40	610405	1	For ss10(SVAB) & Option 2 el.
40	Rubber steel clamp \varnothing 16	6000009	1	For ss10(SVAB) & Option 2 el.
41	Hex Nut M5 Lock	610920	1	For ss10(SVAB) & Option 2 el.

QS70/80

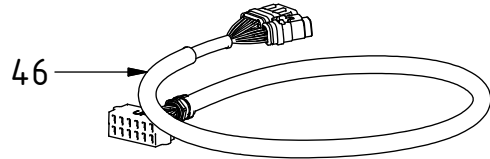
Right block: Top bracket Option 2Bl.



POS	DESCRIPTION	PART	QTY	COMMENTS
1	Block ECO70 W Top	1042231	1	
4	Coupling ECO70 3/4" male	1029142	2	Torque: 60Nm
5	Protection plug ECO70 Hyd	7000157	2	
6	Plug 70125-12 (3/4")	711532	2	Used with POS.5
7	Power plug ECO70W Top QS70	8000781	1	
8	Power plug ECO70W Top QS80	8001211	1	
9	Plug ECO W - Top	1042918	1	
10	Pipe plug DIN 906 M16x1,5	711529	1	Used with POS.9
11	Adapter 401-12-12 90° (3/4")	712201	2	
12	Cover plate ECO70 W Top	1042239	1	
13	Screw K6S 5x8	611801	4	
17	Attachment block ECO70 W Top	1042233	1	
18	Spring 18x35	1024794	4	
19	Spring	6000125	2	
20	Shoulder bolt ø20x30/M16	611710	2	Loctite 2700
21	Stud bolt 12x45	611186	4	Loctite 2700
22	Washer NL 12mm	611042	4	
24	Hex Nut M12	611103	4	
37	Block ECO70 W 3-hyd Top	1047970	1	
38	Coupling ECO 1/2" male V2	1027633	1	Torque: 60Nm
39	Screw MC6S 5x40	610405	1	For ss10(SVAB) & Option 2 el.
40	Rubber steel clamp ø16	6000009	1	For ss10(SVAB) & Option 2 el.
41	Hex Nut M5 Lock	610920	1	For ss10(SVAB) & Option 2 el.

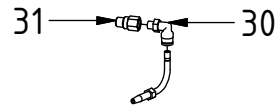
POS in order of assembly

Related spare parts



POS	DESCRIPTION	PART	QTY	COMMENTS
7	Power plug ECO70W Top QS70	8000781	1	
8	Power plug ECO70W Top QS80	8001211	1	
11	Adapter 401-12-12 90° (3/4")	712201	2	
25	Pipe stub straight Push-in	790175	1	
26	Screw socket HT-hose	7000585	2	
28	Pipe stub 90° Push-in	7000318	1	
30	Adapter 90° Push-in - M8x1	790184	1	Loctite 5400
31	Extender 25/17mm KR1/8"-R1/8"	7000578	1	Loctite 5400
43	Hose kit - Lubricant ECO Top	790179	1	(POS.25-26, 28-30, 43-44 included)
44	Adapter straight Push-in - M8x1	790185	2	Loctite 2700
45	Grease Hose	7000087	1	Cut to length: 820mm for EC226
46	Power plug ECO W Top	1042240	1	Replaced by POS.7-8 from 2019-05

c.l until 2020-01:



(Still relevant for Top bracket)

43 c.l until 2020-01:

