

## Planned document changes:

**Briefly:**

No planned changes.

## Document changes:

Date:	Change:	Rev. after change:
2024-06-10	ss10 (DC2/SVAB) & ss9 ECO blocks updated.	L
2023-12-06	DC3 added.	K
2023-01-23	New std. configurations from 2023.	J
2022-08-25	Torques added.	I
2021-11-29	Adapters for block with 3hyd. added.	H
2020-10-21	Spare parts corrected.	G
2020-05-27	c.l lengths and adapters updated. 5hyd added.	F
2019-10-04	Adapters for Top bracket updated.	E
2019-03-22	Torques added.	D
2019-03-05	Cut lengths updated.	C
2018-12-13	Adapters and plugs for Top brackets added.	B
2018-03-08	Layout/irrelevant.	A
2017-11-01	New document.	-

*Readers note:*

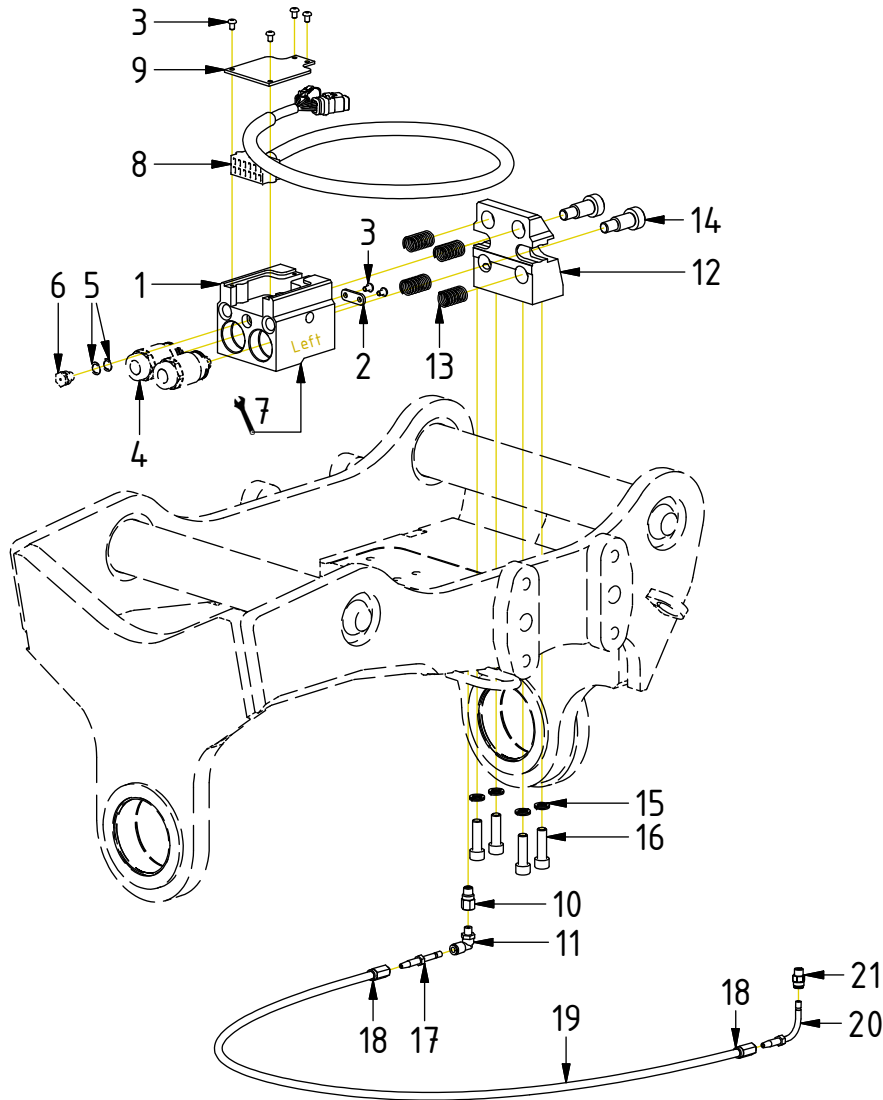
Indicates instruction.



Represents Hose.

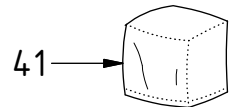
Dashed lines for overview, mounts  
on other pages/assemblies.

QS60  
DC3

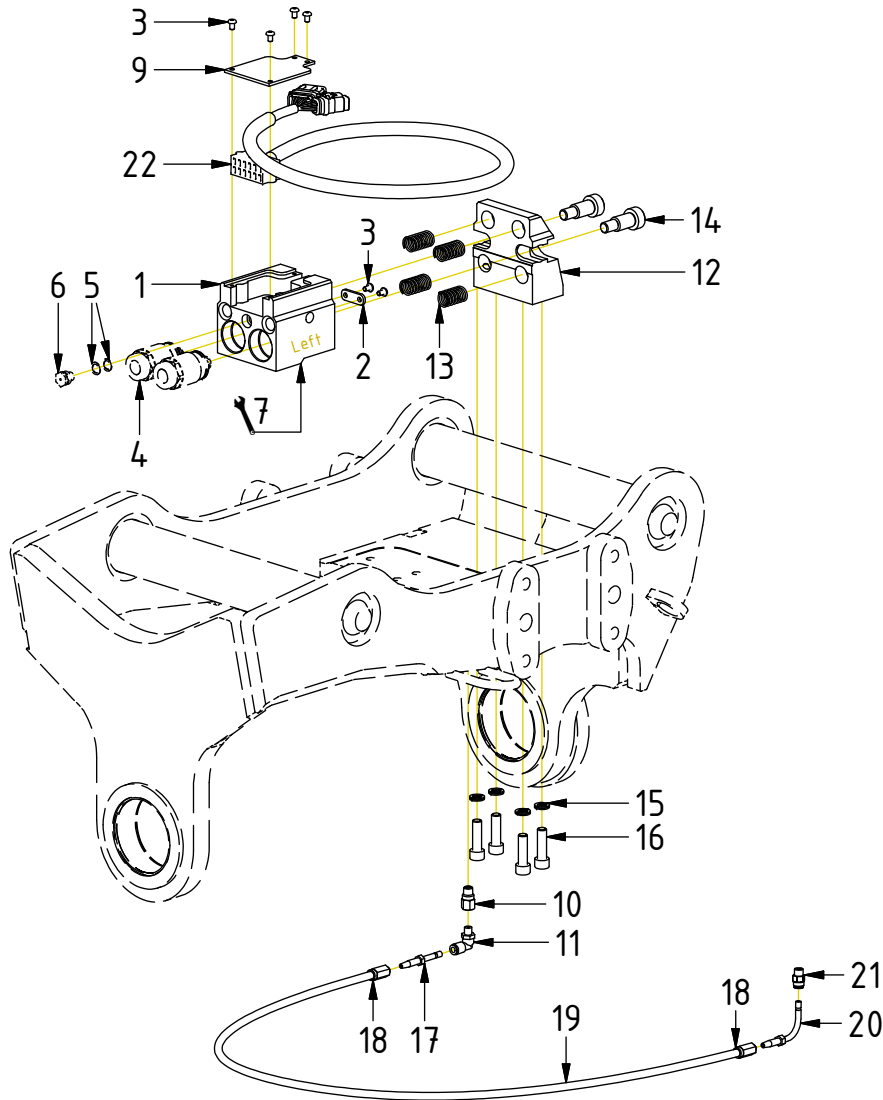


POS	DESCRIPTION	PART	QTY	COMMENTS
1	Block ECO60W Top 2hy.1cl. Complete	1074025	1	(POS.4-6 incl.)
2	Cable clamp	1074897	1	
3	Screw K6S M5x8 10.9 FZB	611801	6	
4	Coupling ECO60 1/2" male V2	1027633	2	Torque: 60Nm
5	Washer Copper 14x10	6000065	2	
6	Button head fitting 1/8" stainless	810505	1	Loxeal 58-12. Torque: 30Nm
7	Adapters according to Top part			See "Top part"
8	Power plug ECO60 W Top (4S, 6S)	8002101	1	Cable gland torque: 6Nm
9	Coverplate ECO60 W Top	1041140	1	
10	Extender M8x1-M8x1 18mm	7000688	1	Loxeal 58-12
11	Push-in swivel 90° M8x1	790173	1	Loxeal 58-12
12	Attachment block ECO60 W Top	1042255	1	
13	Spring 18x35	1024794	4	
14	Shoulder bolt 16x25/M12	611709	2	Loxeal 83-52
15	Washer NL 10mm	611041	4	
16	Screw MC6S M10x35 12.9 ZFSL	612019	4	Torque: 79Nm
17	Pipe stub straight Push-in	790175	1	
18	Screw socket HT-hose 8,6mm	7000585	2	
19	Grease hose bulk 100m	7001303	1	EC214-EC219: 1075mm Top bracket: 2000mm
20	Pipe stub 90° Push-in	7000318	1	
21	Push-in koppl R1/8"	790172	1	Loxeal 58-12
41	Transport Protection ECO-Block	1033412	1	Part of make up

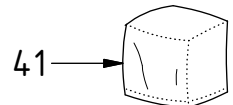
POS in order of assembly



QS60  
DC2 Std. config.

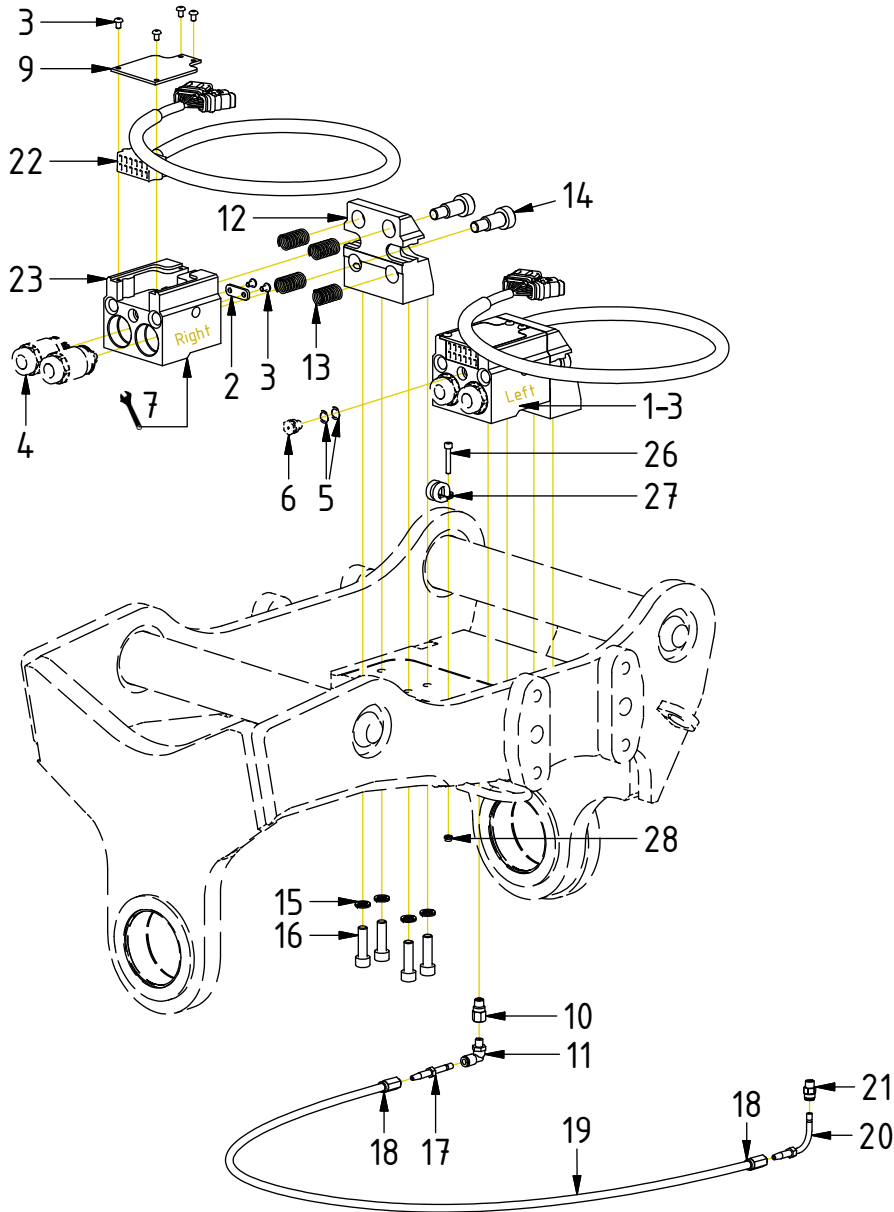


POS	DESCRIPTION	PART	QTY	COMMENTS
1	Block ECO60W Top 2hy.1cl. Complete	1074025	1	(POS.4-6 incl.)
2	Cable clamp	1074897	1	
3	Screw K6S M5x8 10.9 FZB	611801	6	
4	Coupling ECO60 1/2" male V2	1027633	2	Torque: 60Nm
5	Washer Copper 14x10	6000065	2	
6	Button head fitting 1/8" stainless	810505	1	Loxeal 58-12. Torque: 30Nm
7	Adapters according to Top part			See "Top part"
9	Coverplate ECO60 W Top	1041140	1	
10	Extender M8x1-M8x1 18mm	7000688	1	Loxeal 58-12
11	Push-in swivel 90° M8x1	790173	1	Loxeal 58-12
12	Attachment block ECO60 W Top	1042255	1	
13	Spring 18x35	1024794	4	
14	Shoulder bolt $\varnothing$ 16x25/M12	611709	2	Loxeal 83-52
15	Washer NL 10mm	611041	4	
16	Screw MC6S M10x35 12.9 ZFSHL	612019	4	Torque: 79Nm
17	Pipe stub straight Push-in	790175	1	
18	Screw socket HT-hose $\varnothing$ 8,6mm	7000585	2	
19	Grease hose bulk 100m	7001303	1	EC214-EC219: 1075mm Top bracket: 2000mm
20	Pipe stub 90° Push-in	7000318	1	
21	Push-in koppl R1/8"	790172	1	Loxeal 58-12
22	Power plug ECO60 W Top (12S, 6S)	1042240	1	Cable gland torque: 6Nm
41	Transport Protection ECO-Block	1033412	1	Part of make up



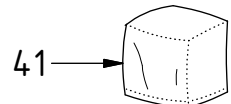
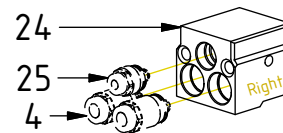
POS in order of assembly

QS60  
DC2 Option 2bl.



POS	DESCRIPTION	PART	QTY	COMMENTS
1	Block ECO60W Top 2hy.1cl. Complete	1074025	1	(POS.4-6 incl.)
2	Cable clamp	1074897	1	
3	Screw K6S M5x8 10.9 FZB	611801	6	
4	Coupling ECO60 1/2" male V2	1027633	2	Torque: 60Nm
5	Washer Copper 14x10	6000065	2	
6	Button head fitting 1/8" stainless	810505	1	Loxeal 58-12. Torque: 30Nm
7	Adapters according to Top part			See "Top part"
9	Coverplate ECO60 W Top	1041140	1	
10	Extender M8x1-M8x1 18mm	7000688	1	Loxeal 58-12
11	Push-in swivel 90° M8x1	790173	1	Loxeal 58-12
12	Attachment block ECO60 W Top	1042255	1	
13	Spring 18x35	1024794	4	
14	Shoulder bolt ø16x25/M12	611709	2	Loxeal 83-52
15	Washer NL 10mm	611041	4	
16	Screw MC6S M10x35 12.9 ZFSL	612019	4	Torque: 79Nm
17	Pipe stub straight Push-in	790175	1	
18	Screw socket HT-hose ø8,6mm	7000585	2	
19	Grease hose bulk 100m	7001303	1	EC214-EC219: 1075mm Top bracket: 2000mm
20	Pipe stub 90° Push-in	7000318	1	
21	Push-in koppl R1/8"	790172	1	Loxeal 58-12
22	Power plug ECO60 W Top (12S, 6S)	1042240	1	Cable gland torque: 6Nm
23	Block ECO60W Top 2hy. Complete	1076517	1	(POS.4 incl.)
24	Block ECO60 W Top 3hy. Complete	1052826	1	(POS.4, 25 incl.)
25	Coupling 3/8" male V2	1028873	1	Torque: 60Nm
26	Screw MC6S M5x30 12.9	610403	1	
27	Rubber steel clamp ø16	6000009	1	
28	Lock Nut M6M M5x0,8 8,8 FZB	610920	1	
41	Transport Protection ECO-Block	1033412	1	Part of make up

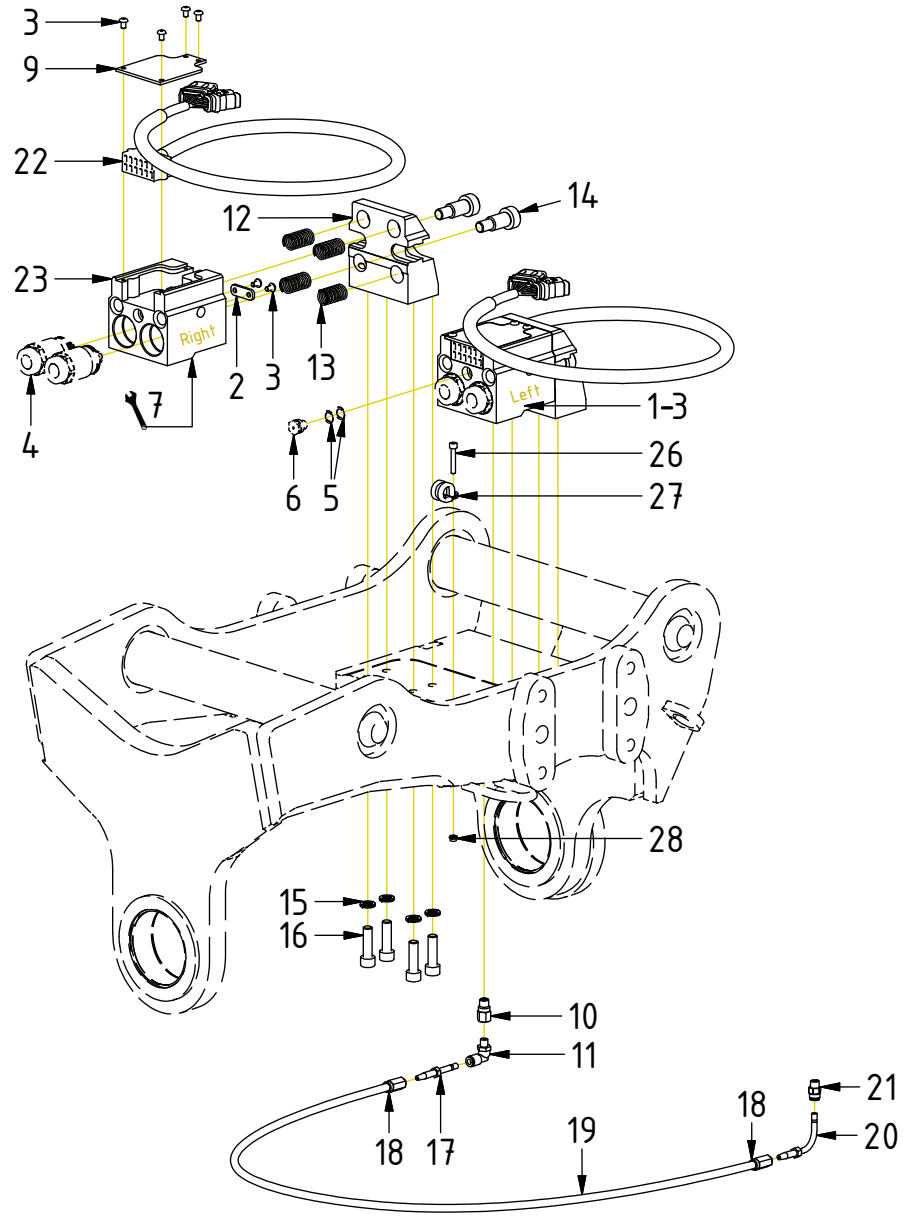
Option 5 hyd:



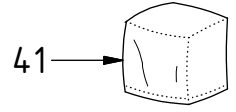
POS in order of assembly

POS in order of assembly

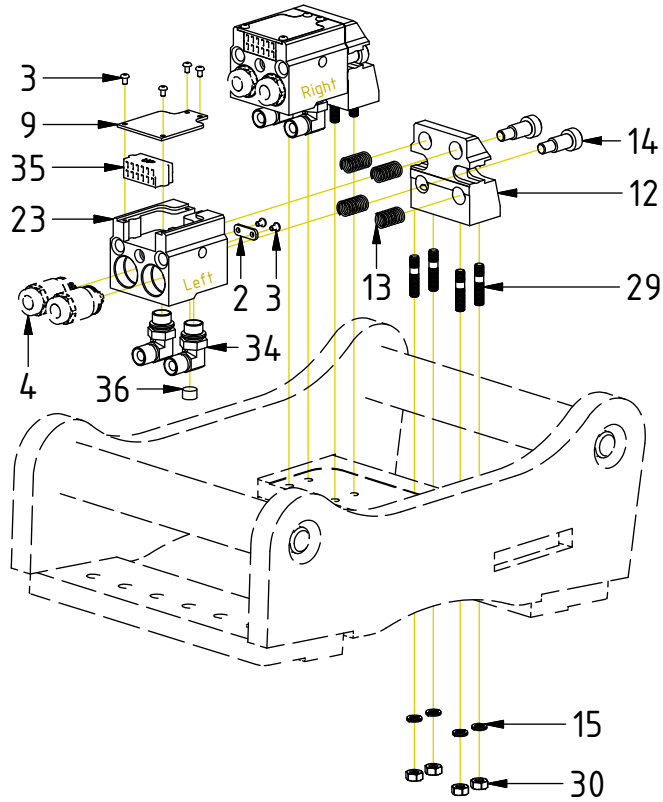
QS60  
ss9 & ss10 (SVAB)



POS	DESCRIPTION	PART	QTY	COMMENTS
1	Block ECO60W Top 2hy.1cl. Complete	1074025	1	(POS.4-6 incl.)
2	Cable clamp	1074897	1	
3	Screw K6S M5x8 10.9 FZB	611801	6	
4	Coupling ECO60 1/2" male V2	1027633	2	Torque: 60Nm
5	Washer Copper 14x10	6000065	2	
6	Button head fitting 1/8" stainless	810505	1	Loxeal 58-12. Torque: 30Nm
7	Adapters according to Top part			See "Top part"
9	Coverplate ECO60 W Top	1041140	1	
10	Extender M8x1-M8x1 18mm	7000688	1	Loxeal 58-12
11	Push-in swivel 90° M8x1	790173	1	Loxeal 58-12
12	Attachment block ECO60 W Top	1042255	1	
13	Spring 18x35	1024794	4	
14	Shoulder bolt ø16x25/M12	611709	2	Loxeal 83-52
15	Washer NL 10mm	611041	4	
16	Screw MC6S M10x35 12.9 ZFSL	612019	4	Torque: 79Nm
17	Pipe stub straight Push-in	790175	1	
18	Screw socket HT-hose Ø8,6mm	7000585	2	
19	Grease hose bulk 100m	7001303	1	EC214-EC219: 1075mm Top bracket: 2000mm
20	Pipe stub 90° Push-in	7000318	1	
21	Push-in koppl R1/8"	790172	1	Loxeal 58-12
22	Power plug ECO60 W Top (12S, 6S)	1042240	1	Cable gland torque: 6Nm
23	Block ECO60W Top 2hy. Complete	1076517	1	(POS.4 incl.)
26	Screw MC6S M5x30 12.9	610403	1	
27	Rubber steel clamp ø16	6000009	1	
28	Lock Nut M6M M5x0,8 8,8 FZB	610920	1	
41	Transport Protection ECO-Block	1033412	1	Part of make up



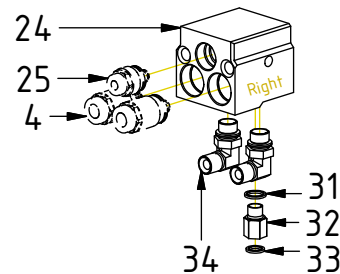
## Top bracket QS60 Modular config.



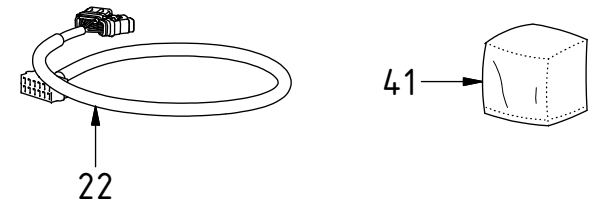
POS	DESCRIPTION	PART	QTY	COMMENTS
2	Cable clamp	1074897	1	
3	Screw K6S M5x8 10.9 FZB	611801	6	
4	Coupling ECO60 1/2" male V2	1027633	2	Torque: 60Nm
9	Coverplate ECO60 W Top	1041140	1	
12	Attachment block ECO60 W Top	1042255	1	
13	Spring 18x35	1024794	4	
14	Shoulder bolt $\varnothing$ 16x25/M12	611709	2	Loxeal 83-52
15	Washer NL 10mm	611041	4	
22	Power plug ECO60 W Top (12S, 6S)	1042240	1	Cable gland torque: 6Nm
23	Block ECO60W Top 2hy. Complete	1076517	1	(POS.4 incl.)
24	Block ECO60 W Top 3hy. Complete	1052826	1	(POS.4, 25 incl.)
25	Coupling 3/8" male V2	1028873	1	Torque: 60Nm
29	Stud bolt M10x35	611164	4	
30	Nut steel M10	611104	4	Torque: 67Nm
31	Washer GBR06 3/8	710703	1	
32	Adapter 235-06-04	710133	1	
33	Washer GBR04 1/4	710702	1	
34	Adapter 401-08-08 90° (1/2")	710156	2	
35	Plug ECO W - Top	1042918	1	
36	Pipe plug DIN 906 M16x1,5	711529	1	
41	Transport Protection ECO-Block	1033412	1	Part of make up

POS in order of assembly

Option 5 hyd:



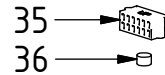
Option 1 el:



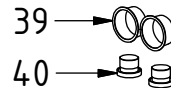
## SPARE PARTS

POS	DESCRIPTION	PART	QTY	COMMENTS
5	Washer Copper 14x10	6000065	2	
6	Button head fitting 1/8" stainless	810505	1	Loxéal 58-12. Torque: 30Nm
10	Extender M8x1-M8x1 18mm	7000688	1	Loxéal 58-12
11	Push-in swivel 90° M8x1	790173	1	Loxéal 58-12
17	Pipe stub straight Push-in	790175	1	
18	Screw socket HT-hose Ø8,6mm	7000585	2	
19	Grease hose bulk 100m	7001303	1	EC214-EC219: 1075mm Top bracket: 2000mm
20	Pipe stub 90° Push-in	7000318	1	
21	Push-in koppl R1/8"	790172	1	Loxéal 58-12
35	Plug ECO W - Top	1042918	1	
36	Pipe plug DIN 906 M16x1,5	711529	1	
37	Adapter 90° Push-in - swivel	790184	1	Loxéal 58-12
38	Extender 25/17mm KR1/8"-R1/8"	7000578	1	Loxéal 58-12
39	Protection plug ECO60 Top	7000154	2	
40	Plug 70125-08 (1/2")	711500	2	

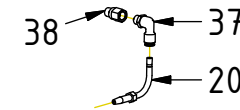
w/o el.



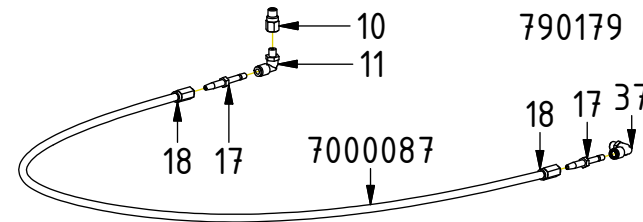
w/o hyd.



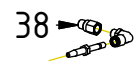
c.l. until 2021-01:



c.l. kit until 2020-01:



ECHF until 2020-01:



Top brackets:

