



## Planned document changes:

**Briefly:**

No planned changes.

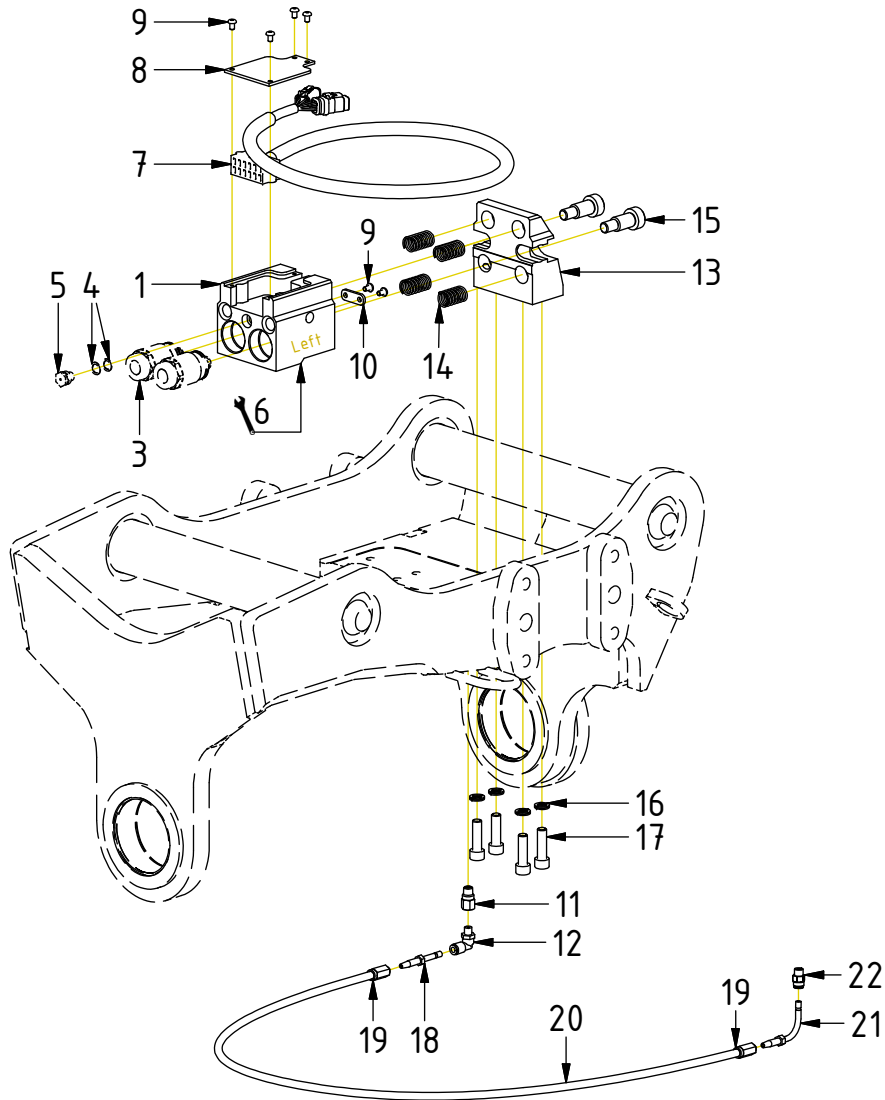
## Document changes:

<b>Date:</b>	<b>Change:</b>	<b>Rev. after change:</b>
2023-12-06	DC3 added.	K
2023-01-23	New std. configurations from 2023.	J
2022-08-25	Torques added.	I
2021-11-29	Adapters for block with 3hyd. added.	H
2020-10-21	Spare parts corrected.	G
2020-05-27	c.l lengths and adapters updated. 5hyd added.	F
2019-10-04	Adapters for Top bracket updated.	E
2019-03-22	Torques added.	D
2019-03-05	Cut lengths updated.	C
2018-12-13	Adapters and plugs for Top brackets added.	B
2018-03-08	Layout/irrelevant.	A
2017-11-01	New document.	-

*Readers note:* Indicates instruction. Represents Hose.

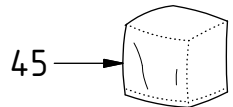
Dashed lines for overview, mounts  
on other pages/assemblies.

QS60  
DC3

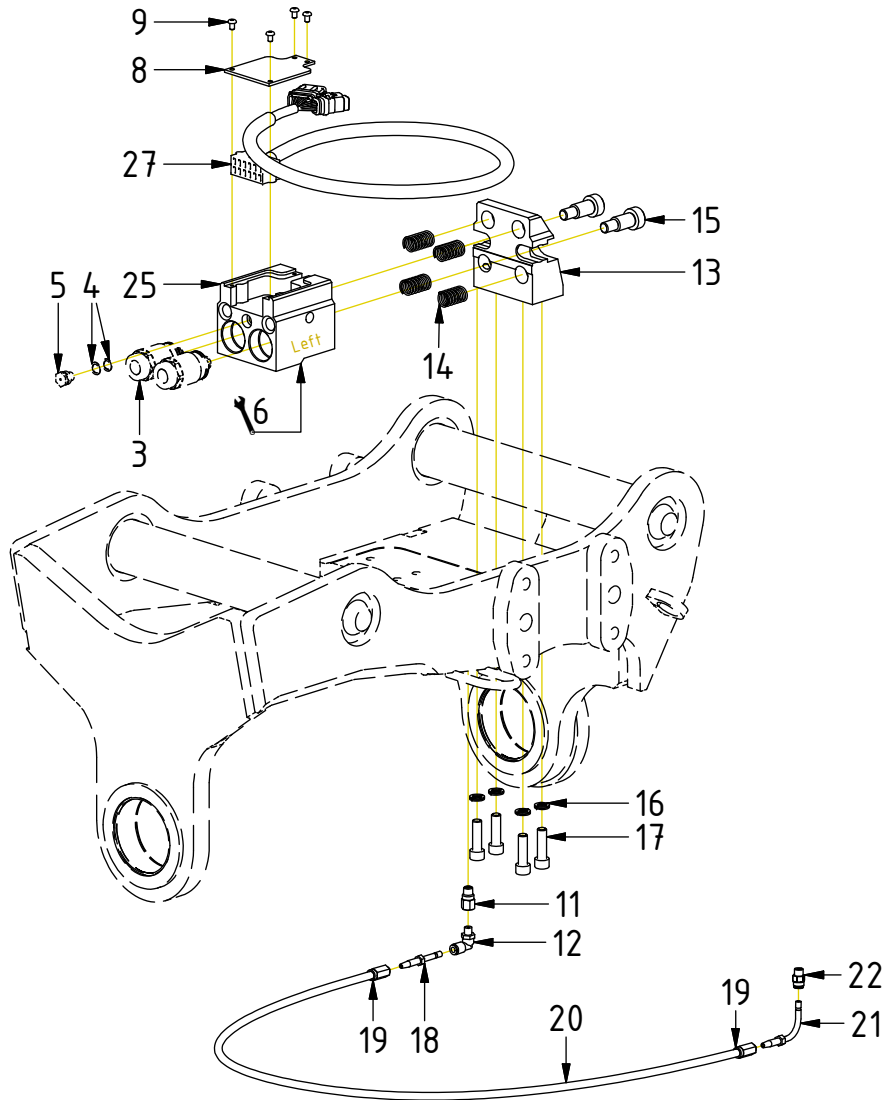


POS	DESCRIPTION	PART	QTY	COMMENTS
1	Block ECO60W Top 2hy.1cl. Complete	1074025	1	(POS.2-5 incl.)
2	Block ECO60 W Top	1073245	1	
3	Coupling ECO60 1/2" male V2	1027633	2	Torque: 60Nm
4	Washer Copper 14x10	6000065	2	
5	Button head fitting 1/8" stainless	810505	1	Loxeal 58-12. Torque: 30Nm
6	Adapters according to Top part			See "Top part"
7	Power plug ECO60 W Top (4S, 6S)	8002101	1	Cable gland torque: 6Nm
8	Coverplate ECO60 W Top	1041140	1	
9	Screw K6S M5x8 10.9 FZB	611801	4	QTY: 6 for DC3
10	Cable clamp	1074897	1	
11	Extender M8x1-M8x1 18mm	7000688	1	Loxeal 58-12
12	Push-in swivel 90° M8x1	790173	1	Loxeal 58-12
13	Attachment block ECO60 W Top	1042255	1	
14	Spring 18x35	1024794	4	
15	Shoulder bolt $\varnothing$ 16x25/M12	611709	2	Loxeal 83-52
16	Washer NL 10mm	611041	4	
17	Screw MC6S M10x35 12.9 ZFSHL	612019	4	Torque: 79Nm
18	Pipe stub straight Push-in	790175	1	
19	Screw socket HT-hose $\varnothing$ 8,6mm	7000585	2	
20	Grease hose bulk 100m	7001303	1	EC214-EC219: 1075mm Top bracket: 2000mm
21	Pipe stub 90° Push-in	7000318	1	
22	Push-in koppl R1/8"	790172	1	Loxeal 58-12
45	Transport Protection ECO-Block	1033412	1	Part of make up

POS in order of assembly

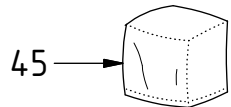


QS60  
DC2 Std. config.



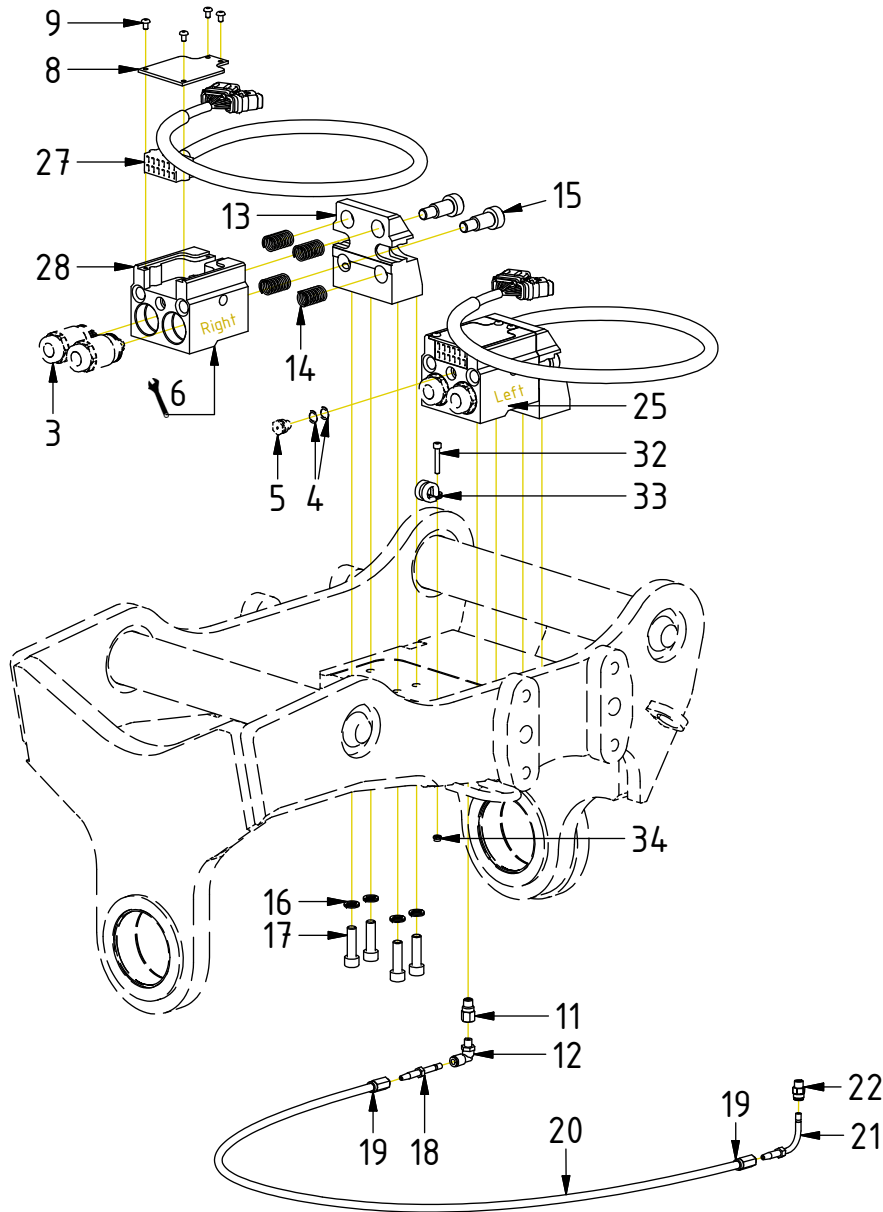
POS	DESCRIPTION	PART	QTY	COMMENTS
3	Coupling ECO60 1/2" male V2	1027633	2	Torque: 60Nm
4	Washer Copper 14x10	6000065	2	
5	Button head fitting 1/8" stainless	810505	1	Loxeal 58-12. Torque: 30Nm
6	Adapters according to Top part			See "Top part"
8	Coverplate ECO60 W Top	1041140	1	
9	Screw K6S M5x8 10.9 FZB	611801	4	QTY: 6 for DC3
11	Extender M8x1-M8x1 18mm	7000688	1	Loxeal 58-12
12	Push-in swivel 90° M8x1	790173	1	Loxeal 58-12
13	Attachment block ECO60 W Top	1042255	1	
14	Spring 18x35	1024794	4	
15	Shoulder bolt $\varnothing$ 16x25/M12	611709	2	Loxeal 83-52
16	Washer NL 10mm	611041	4	
17	Screw MC6S M10x35 12.9 ZFSL	612019	4	Torque: 79Nm
18	Pipe stub straight Push-in	790175	1	
19	Screw socket HT-hose $\varnothing$ 8,6mm	7000585	2	
20	Grease hose bulk 100m	7001303	1	EC214-EC219: 1075mm Top bracket: 2000mm
21	Pipe stub 90° Push-in	7000318	1	
22	Push-in koppl R1/8"	790172	1	Loxeal 58-12
25	Block ECO60W Top 2hy.1cl. Complete	1048027	1	(POS.3-5, 26 incl.)
26	Block ECO60 W Top	1040424	1	Cable gland torque: 6Nm
27	Power plug ECO60 W Top (12S, 6S)	1042240	1	
45	Transport Protection ECO-Block	1033412	1	Part of make up

POS in order of assembly



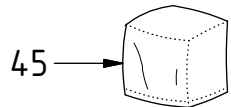
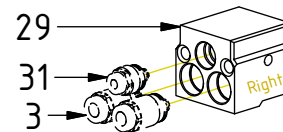
POS in order of assembly

QS60  
DC2 Option 2bl.

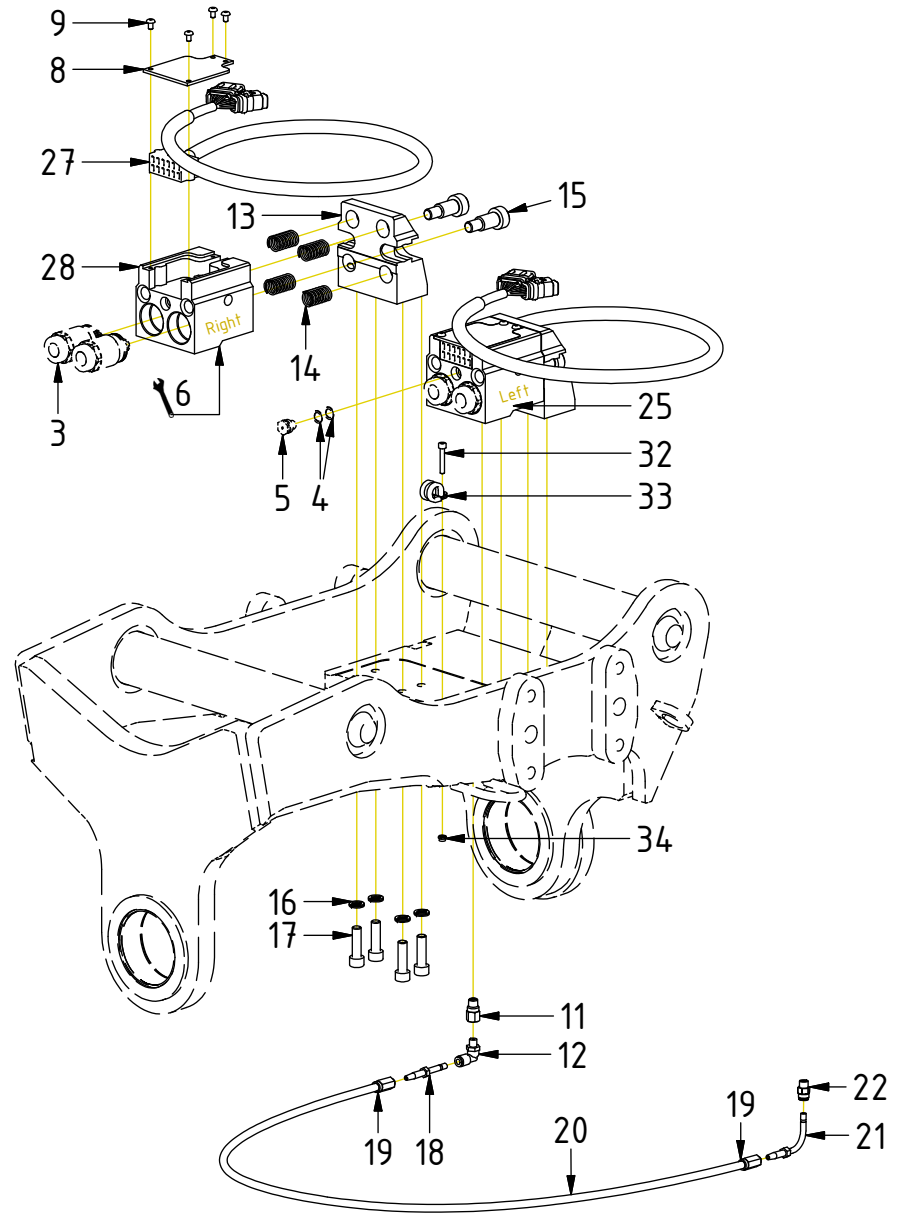


POS	DESCRIPTION	PART	QTY	COMMENTS
3	Coupling ECO60 1/2" male V2	1027633	2	Torque: 60Nm
4	Washer Copper 14x10	6000065	2	
5	Button head fitting 1/8" stainless	810505	1	Loxéal 58-12. Torque: 30Nm
6	Adapters according to Top part			See "Top part"
8	Coverplate ECO60 W Top	1041140	1	
9	Screw K6S M5x8 10.9 FZB	611801	4	QTY: 6 for DC3
11	Extender M8x1-M8x1 18mm	7000688	1	Loxéal 58-12
12	Push-in swivel 90° M8x1	790173	1	Loxéal 58-12
13	Attachment block ECO60 W Top	1042255	1	
14	Spring 18x35	1024794	4	
15	Shoulder bolt $\varnothing$ 16x25/M12	611709	2	Loxéal 83-52
16	Washer NL 10mm	611041	4	
17	Screw MC6S M10x35 12.9 ZFSHL	612019	4	Torque: 79Nm
18	Pipe stub straight Push-in	790175	1	
19	Screw socket HT-hose $\varnothing$ 8,6mm	7000585	2	
20	Grease hose bulk 100m	7001303	1	EC214-EC219: 1075mm Top bracket: 2000mm
21	Pipe stub 90° Push-in	7000318	1	
22	Push-in koppl R1/8"	790172	1	Loxéal 58-12
25	Block ECO60W Top 2hy.1cl. Complete	1048027	1	(POS.3-5, 26 incl.)
26	Block ECO60 W Top	1040424	1	Cable gland torque: 6Nm
27	Power plug ECO60 W Top (12S, 6S)	1042240	1	
28	Block ECO60W Top 2hy. Complete	1048029	1	(POS.3, 26 incl.)
29	Block ECO60 W Top 3hy. Complete	1052826	1	(POS.3, 30-31 incl.)
30	Block ECO60 W 3-hyd Top	1047256	1	
31	Coupling 3/8" male V2	1028873	1	Torque: 60Nm
32	Screw MC6S M5x30 12.9	610403	1	
33	Rubber steel clamp $\varnothing$ 16	6000009	1	
34	Lock Nut M6M M5x0,8 8,8 FZB	610920	1	
45	Transport Protection ECO-Block	1033412	1	Part of make up

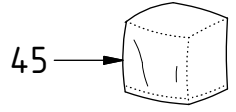
Option 5 hyd:



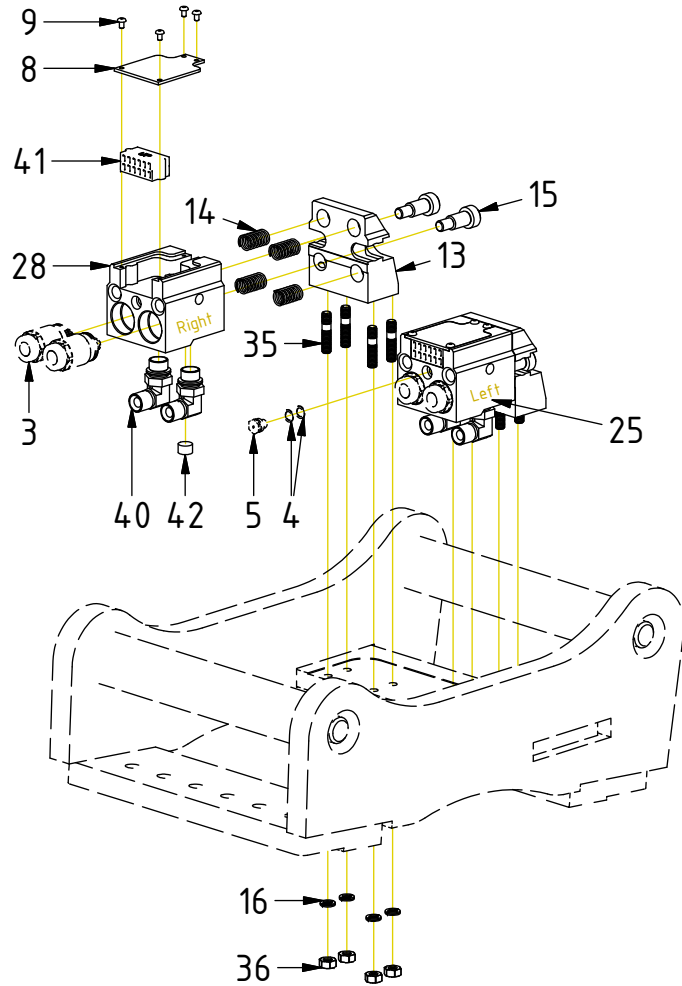
QS60  
ss9 & ss10 (SVAB)



POS	DESCRIPTION	PART	QTY	COMMENTS
3	Coupling ECO60 1/2" male V2	1027633	2	Torque: 60Nm
4	Washer Copper 14x10	6000065	2	
5	Button head fitting 1/8" stainless	810505	1	Loxeal 58-12. Torque: 30Nm
6	Adapters according to Top part			See "Top part"
8	Coverplate ECO60 W Top	1041140	1	
9	Screw K6S M5x8 10.9 FZB	611801	4	QTY: 6 for DC3
11	Extender M8x1-M8x1 18mm	7000688	1	Loxeal 58-12
12	Push-in swivel 90° M8x1	790173	1	Loxeal 58-12
13	Attachment block ECO60 W Top	1042255	1	
14	Spring 18x35	1024794	4	
15	Shoulder bolt $\varnothing$ 16x25/M12	611709	2	Loxeal 83-52
16	Washer NL 10mm	611041	4	
17	Screw MC6S M10x35 12.9 ZFSL	612019	4	Torque: 79Nm
18	Pipe stub straight Push-in	790175	1	
19	Screw socket HT-hose $\varnothing$ 8,6mm	7000585	2	
20	Grease hose bulk 100m	7001303	1	EC214-EC219: 1075mm Top bracket: 2000mm
21	Pipe stub 90° Push-in	7000318	1	
22	Push-in koppl R1/8"	790172	1	Loxeal 58-12
25	Block ECO60W Top 2hy.1cl. Complete	1048027	1	(POS.3-5, 26 incl.)
26	Block ECO60 W Top	1040424	1	Cable gland torque: 6Nm
27	Power plug ECO60 W Top (12S, 6S)	1042240	1	
28	Block ECO60W Top 2hy. Complete	1048029	1	(POS.3, 26 incl.)
32	Screw MC6S M5x30 12.9	610403	1	
33	Rubber steel clamp $\varnothing$ 16	6000009	1	
34	Lock Nut M6M M5x0,8 8,8 FZB	610920	1	
45	Transport Protection ECO-Block	1033412	1	Part of make up

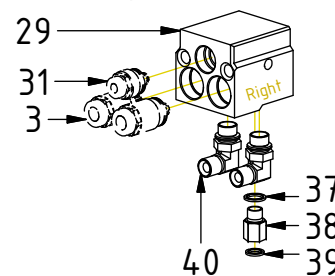


## Top bracket QS60 Modular config.

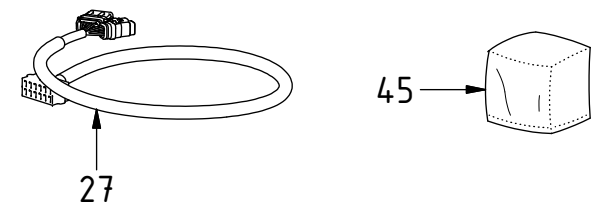


POS	DESCRIPTION	PART	QTY	COMMENTS
3	Coupling ECO60 1/2" male V2	1027633	2	Torque: 60Nm
4	Washer Copper 14x10	6000065	2	
5	Button head fitting 1/8" stainless	810505	1	Loxéal 58-12. Torque: 30Nm
8	Coverplate ECO60 W Top	1041140	1	
9	Screw K6S M5x8 10.9 FZB	611801	4	QTY: 6 for DC3
11	Extender M8x1-M8x1 18mm	7000688	1	Loxéal 58-12
12	Push-in swivel 90° M8x1	790173	1	Loxéal 58-12
13	Attachment block ECO60 W Top	1042255	1	
14	Spring 18x35	1024794	4	
15	Shoulder bolt ø16x25/M12	611709	2	Loxéal 83-52
16	Washer NL 10mm	611041	4	
18	Pipe stub straight Push-in	790175	1	
19	Screw socket HT-hose ø8,6mm	7000585	2	
20	Grease hose bulk 100m	7001303	1	EC214-EC219: 1075mm Top bracket: 2000mm
21	Pipe stub 90° Push-in	7000318	1	
23	Adapter 90° Push-in - swivel	790184	1	Loxéal 58-12
24	Extender 25/17mm KR1/8"-R1/8"	7000578	1	Loxéal 58-12
25	Block ECO60W Top 2hy.1cl. Complete	1048027	1	(POS.3-5, 26 incl.)
26	Block ECO60 W Top	1040424	1	Cable gland torque: 6Nm
27	Power plug ECO60 W Top (12S, 6S)	1042240	1	
28	Block ECO60W Top 2hy. Complete	1048029	1	(POS.3, 26 incl.)
29	Block ECO60 W Top 3hy. Complete	1052826	1	(POS.3, 30-31 incl.)
30	Block ECO60 W 3-hyd Top	1047256	1	
31	Coupling 3/8" male V2	1028873	1	Torque: 60Nm
35	Stud bolt M10x35	611164	4	
36	Nut steel M10	611104	4	Torque: 67Nm
37	Washer GBR06 3/8	710703	1	
38	Adapter 235-06-04	710133	1	
39	Washer GBR04 1/4	710702	1	
40	Adapter 401-08-08 90° (1/2")	710156	2	
41	Plug ECO W - Top	1042918	2	
42	Pipe plug DIN 906 M16x1,5	711529	2	
45	Transport Protection ECO-Block	1033412	1	Part of make up

Option 5 hyd:



Option 1 el:

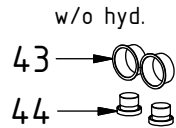
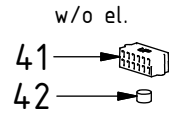


POS in order of assembly

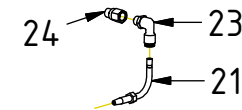
## SPARE PARTS

POS	DESCRIPTION	PART	QTY	COMMENTS
11	Extender M8x1-M8x1 18mm	7000688	1	Loxeal 58-12
12	Push-in swivel 90° M8x1	790173	1	Loxeal 58-12
18	Pipe stub straight Push-in	790175	1	
19	Screw socket HT-hose Ø8,6mm	7000585	2	
20	Grease hose bulk 100m	7001303	1	EC214-EC219: 1075mm Top bracket: 2000mm
21	Pipe stub 90° Push-in	7000318	1	
22	Push-in koppl R1/8"	790172	1	Loxeal 58-12
23	Adapter 90° Push-in - swivel	790184	1	Loxeal 58-12
24	Extender 25/17mm KR1/8"-R1/8"	7000578	1	Loxeal 58-12
41	Plug ECO W - Top	1042918	2	
42	Pipe plug DIN 906 M16x1,5	711529	2	
43	Protection plug ECO60 Top	7000154	4	
44	Plug 70125-08 (1/2")	711500	4	

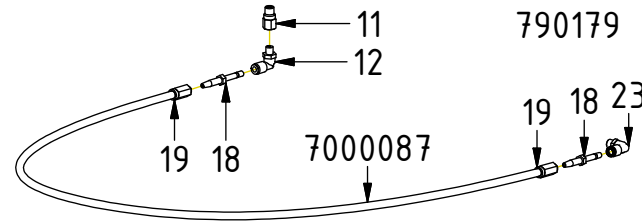
POS in order of assembly



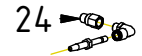
c.l until 2021-01:



c.l kit until 2020-01:



ECHF until 2020-01:



Top brackets:

