

COVERSHEET

Planned document changes:

Briefly:

No planned changes

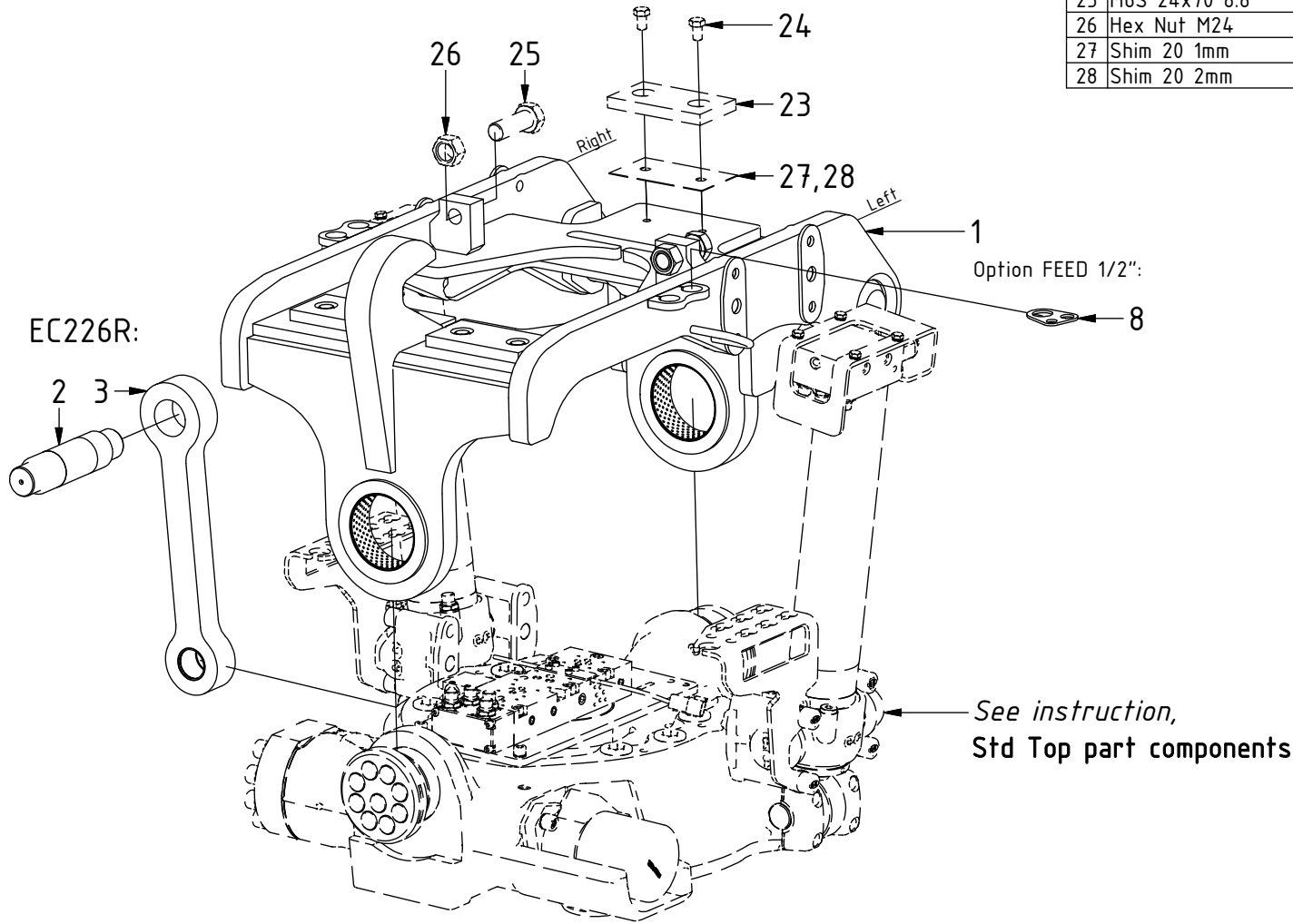
Document changes:

| Date: | Change: | Rev. after change: |
|--------------|-------------------------------|-------------------------------|
| 2019-01-02 | New photo for Standard hoses. | D |
| 2018-06-18 | Layout/Irrelevant. | C |
| 2017-08-28 | Layout/irrelevant. | B |
| 2017-08-24 | Reference for EC226R added. | A |
| 2017-07-05 | New instruction. | - |

EC226 - S1 Top part ECHF

| POS | DESCRIPTION | PART | QTY | COMMENTS |
|-----|----------------------------|---------|-----|-----------------------------------|
| 1 | Top part S1 | 1031121 | 1 | |
| 2 | Axle rotator leg | 1011553 | 2 | |
| 3 | Rotator support EC226R S1 | 1023682 | 2 | |
| 8 | Hose terminal ECHF 1/4+3/8 | 1042960 | 2 | |
| 23 | Shim S1 & S2 | 400069 | 3 | (Included in Top part) |
| 24 | M6S 12x20 8.8 | 610163 | 6 | (Included in Top part) |
| 25 | M6S 24x70 8.8 | 610260 | 2 | (Included in Top part) |
| 26 | Hex Nut M24 | 610913 | 2 | (Included in Top part) |
| 27 | Shim 20 1mm | 404512 | | Use if required (Spare part only) |
| 28 | Shim 20 2mm | 404513 | | Use if required (Spare part only) |

POS in order of assembly



EC226 - S1 Top part ECHF

P = 4
T = 4

FEED 3/4" (Std):
Function

| POS | DESCRIPTION | PART | QTY | COMMENTS |
|-----|--|--------|-----|---|
| 4 | Use washer, adapter, nut according to POS5, 6, 7 | | | |
| 5 | Washer NL 1" | 611095 | 2 | |
| 6 | Adapter 1260-12-57 (3/4") | 712227 | 2 | |
| 7 | Check nut 1270-12 (3/4") | 712211 | 2 | |
| 29 | Attach feed hoses from Control system | | | (a & b represents channels on feed block) |

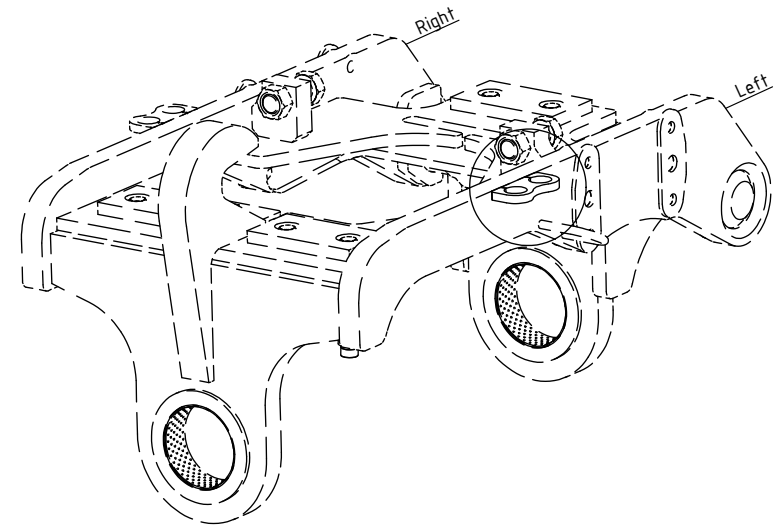
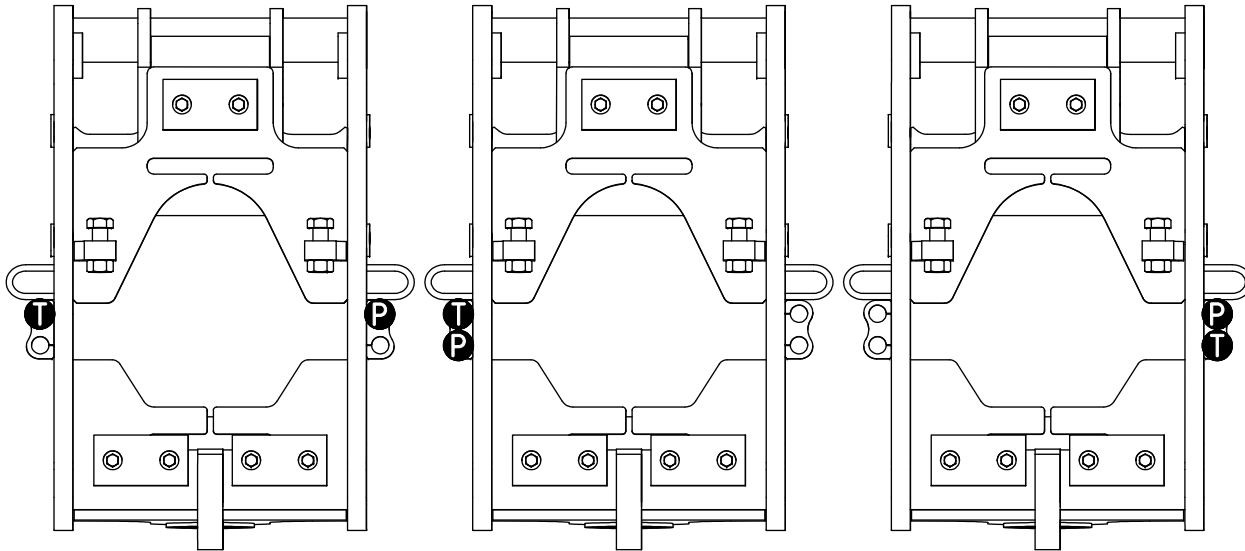
POS in order of assembly

P/T

Standard

Feed right

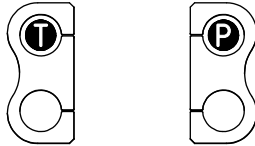
Feed left



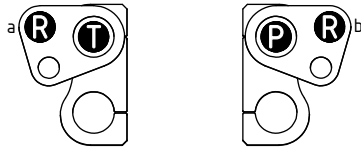
- P** = 9
- T** = 9
- R** = 15
- L** = 19

FEED 1/2":
Function

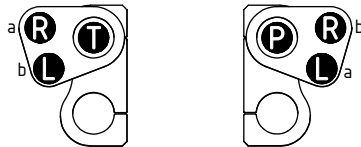
ss5, ss10
Standard



ss9IQ
Standard

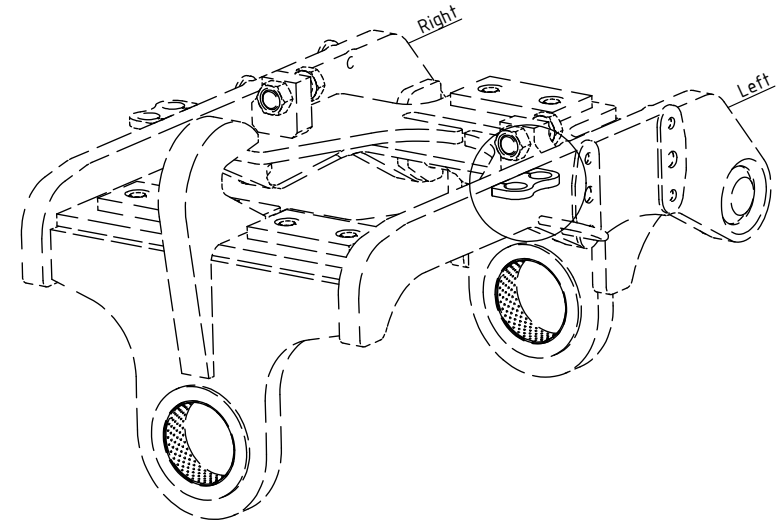


ss9SQ
Standard

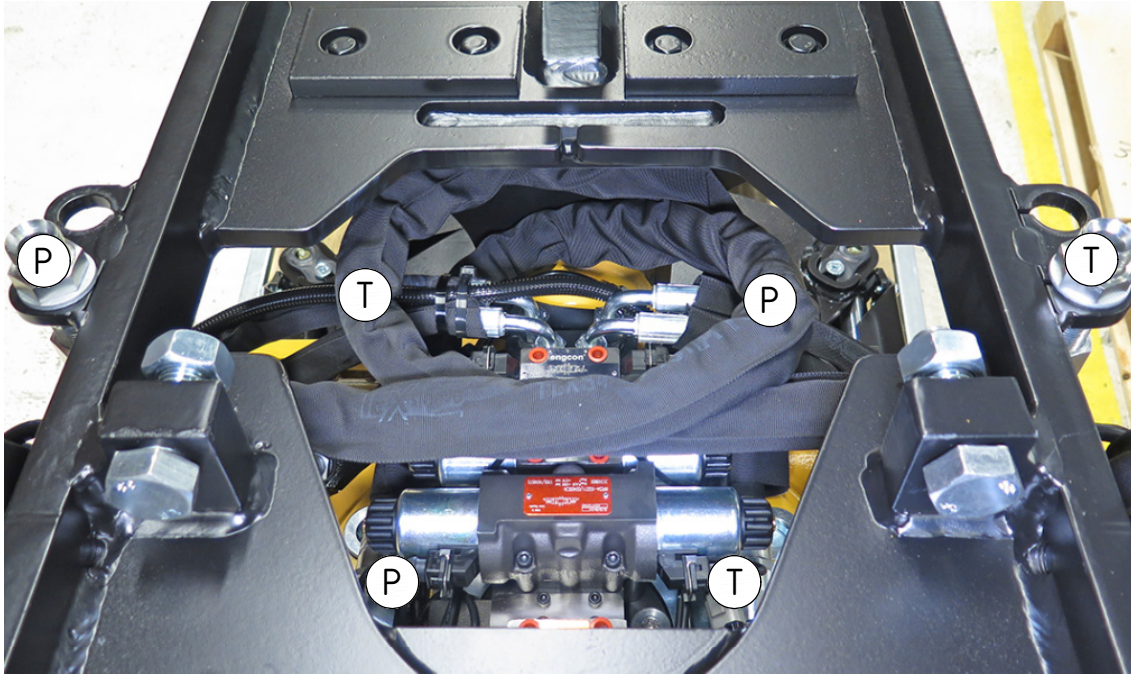


| POS | DESCRIPTION | PART | QTY | COMMENTS |
|-----|--|--------|-----|---|
| 9 | Use washer, adapters, o-rings, nut according to POS.10, 11, 12, 13, 14 | | | |
| 10 | Washer NL 20mm | 611098 | 2 | |
| 11 | Adapter 1260-08-45 (1/2") | 710263 | 2 | |
| 12 | O-ring 18,64x3,53 | 712415 | 4 | |
| 13 | Check nut 1270-08 (1/2") | 710254 | 2 | |
| 14 | Adapter 703-08-08 | 710221 | 2 | |
| 15 | Use washer, adapter, nut according to POS.16, 17, 18 | | | |
| 16 | Washer NL 16mm | 611044 | 2 | |
| 17 | Adapter 1260-06-32 (3/8") | 710242 | 2 | |
| 18 | Check nut 1270-06 (3/8") | 710252 | 2 | |
| 19 | Use washer, adapter, nut according to POS.20, 21, 22 | | | |
| 20 | Washer NL 1/2" | 611096 | 2 | |
| 21 | Adapter 1260-04-04 (1/4") | 710240 | 2 | |
| 22 | Check nut 1270-04 (1/4") | 710250 | 2 | |
| 29 | Attach feed hoses from Control system | | | (a & b represents channels on feed block) |

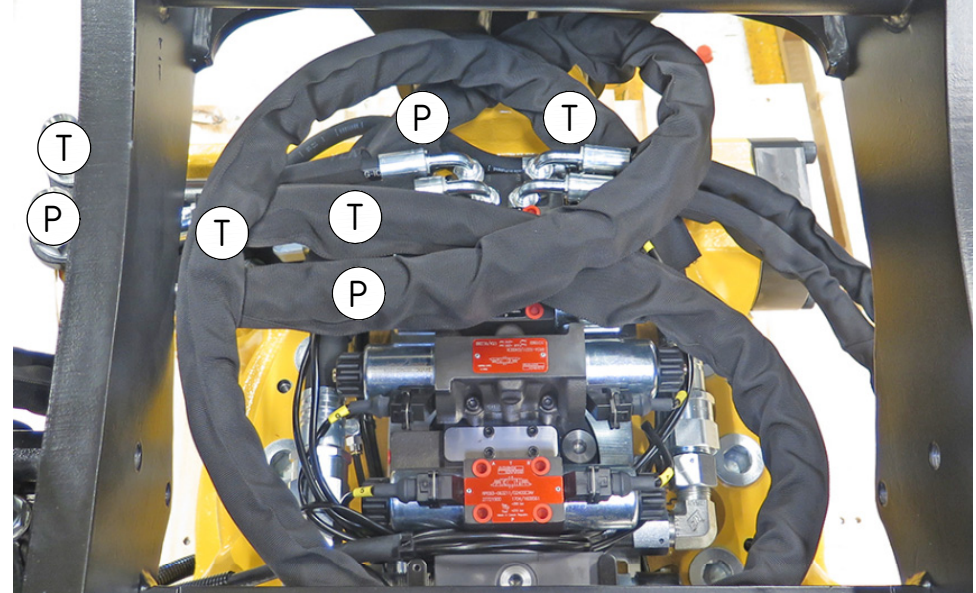
POS in order of assembly



FEED 3/4" (Std):



FEED Left 3/4"



FEED Right 3/4"

New photo needed:
Feed Right.

(alert documentation
when built in production)

FEED 1/2":

