

## COVERSHEET

## Planned document changes:


**Briefly:**


No planned changes.

## Document changes:

Date:	Change:	Rev. after change:
2025-01-30	Swivel w. slipping added.	D
2024-06-07	Screws updated.	C
2022-08-15	Quantity corrected.	B
2018-06-21	Layout/irrelevant.	A
2017-05-29	New document.	-

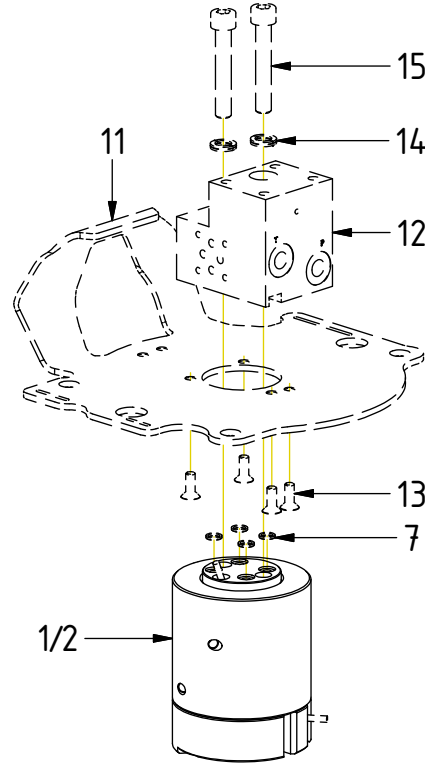
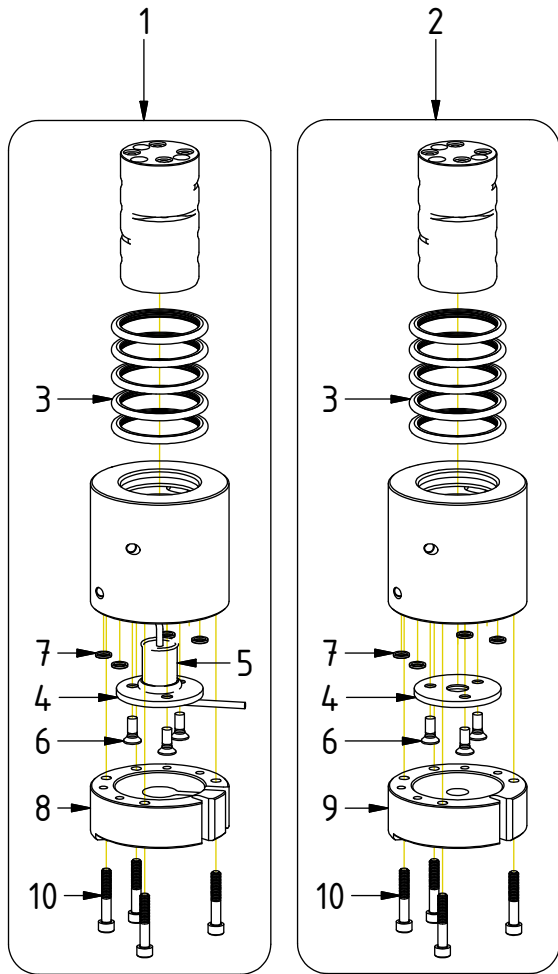
*Readers note:*

 Indicates instruction.

 Represents Hose.

Dashed lines for overview, mounts  
on other pages/assemblies.

# Connection block & Swivel EC204



POS	DESCRIPTION	PART	QTY	COMMENTS
1	Connectionbl. & Swivel Complete w. slip ring	1062975	1	(POS.3-8, 10 incl.)
2	Connectionbl. & Swivel Complete w/o slip ring	1028504	1	(POS.3-4, 6-7, 9-10 incl.)
3	Seal swivel 50/61x4,2	7001671	5	
4	Stop Washer EC206	1026707	1	
5	Slip ring EC204	8001421	1	
6	Screw MFT 6x16TX30 8.8 FZB	6000406	3	Torque: 9,8Nm
7	O-ring 7,65x1,78	710960	8	QTY: 4 part of rotator frame assy.
8	Connection block EC204	1060269	1	
9	Connection bl. EC204 (w/o slipring)	1028788	1	
10	Screw MC6S 6x35 12.9	610591	4	
11	Valve plate EC204	1031620	1	Part of rotator frame assy.
12	Valve block EC204	1027945	1	Part of rotator frame assy.
13	Screw MF6S M6x16 10.9 untreatead	610604	7	Part of rotator frame assy. Torque: 14Nm. Loxeal 55-02
14	Washer NL 10mm	611041	2	Part of rotator frame assy.
15	Screw MC6S M10x60 12.9	610460	2	Part of rotator frame assy.

POS in order of assembly