

COVERSHEET

Planned document changes:


Briefly:


No planned changes.

Document changes:

Date:	Change:	Rev. after change:
2024-06-07	Screws updated.	C
2022-08-15	Quantity corrected.	B
2018-06-21	Layout/irrelevant.	A
2017-05-29	New document.	-

Readers note:

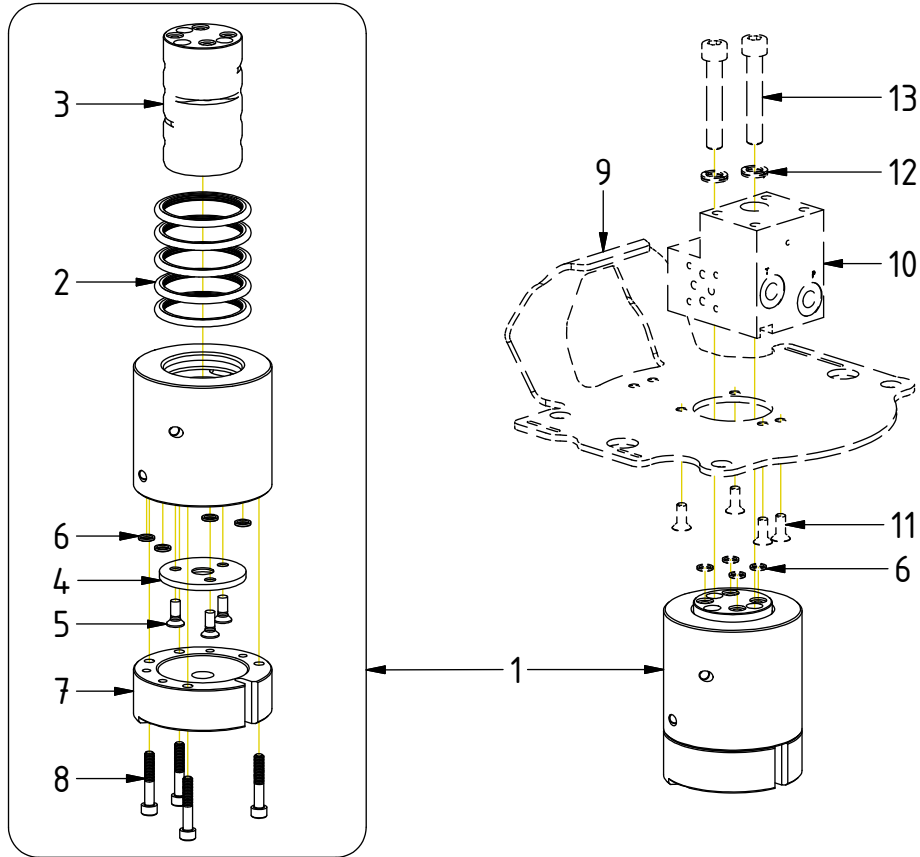
 Indicates instruction.

 Represents Hose.

Dashed lines for overview, mounts
on other pages/assemblies.

Connection block & Swivel EC204

POS	DESCRIPTION	PART	QTY	COMMENTS
1	Connectionbl. & Swivel Complete	1028504	1	(POS.2-8 incl.)
2	Seal swivel 50/61x4,2	7001671	5	
3	Swivel guide EC204	1028503	1	
4	Stop Washer EC206	1026707	1	
5	Screw MFT 6x16TX30 8.8 FZB	6000406	3	Torque: 9,8Nm
6	O-ring 7,65x1,78	710960	8	QTY: 4 part of rotator frame assy.
7	Connection block EC204	1028788	1	
8	Screw MC6S 6x35 12.9	610591	4	
9	Valve plate EC204	1031620	1	Part of rotator frame assy.
10	Valve block EC204	1027945	1	Part of rotator frame assy.
11	Screw MF6S M6x16 10.9 untreatead	610604	4	Part of rotator frame assy. Torque: 14Nm. Loxeal 55-02
12	Washer NL 10mm	611041	2	Part of rotator frame assy.
13	Screw MC6S M10x60 12.9	610460	2	Part of rotator frame assy.



POS in order of assembly