

COVERSHEET

Planned document changes:

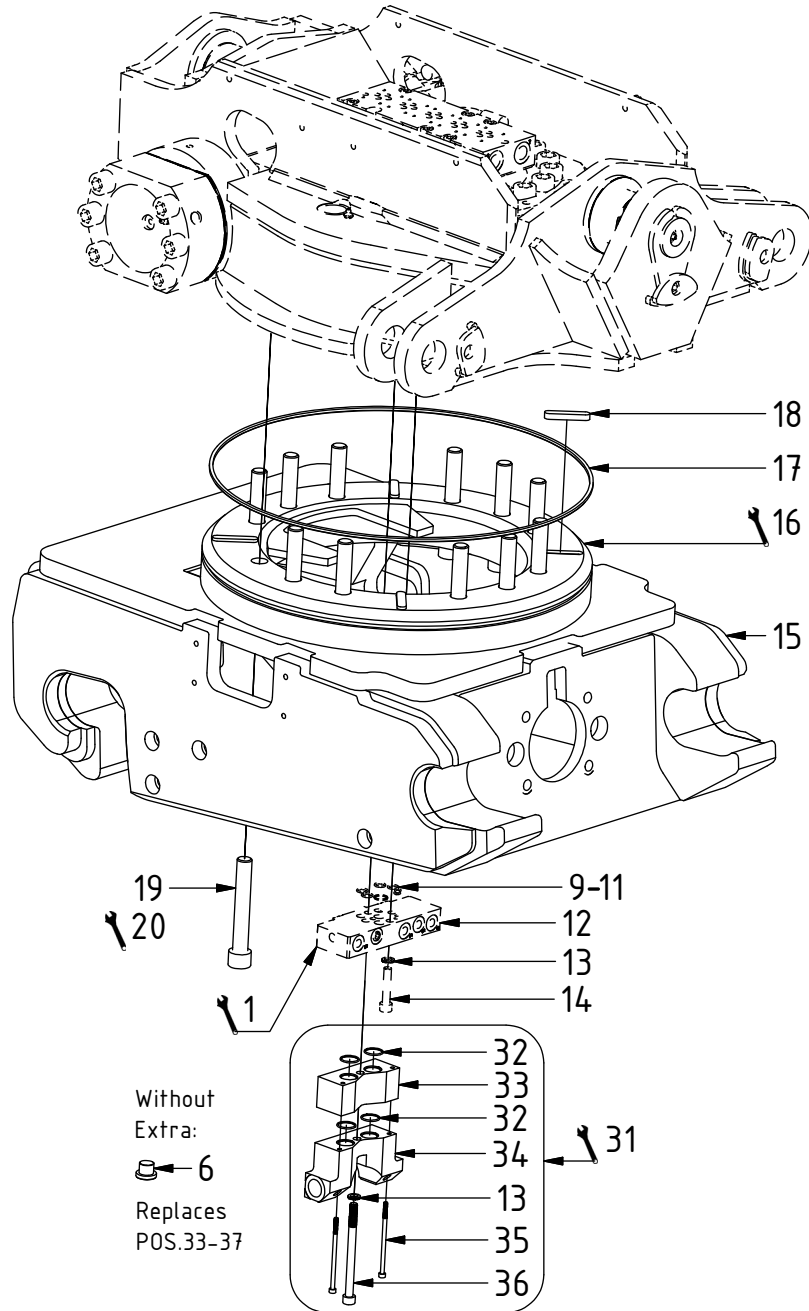
Briefly:

Replace photo for option EC-Oil.

Document changes:

Date:	Change:	Rev. after change:
2017-10-26	Layout/irrelevant.	A
2017-04-28	New instruction.	-

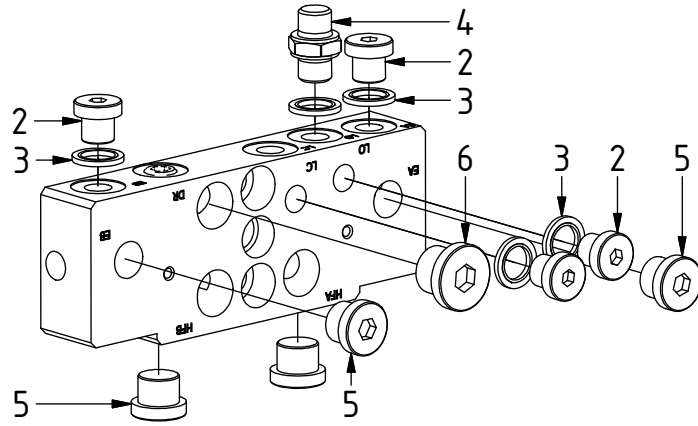
EC30 - QS80 ECHF



POS	DESCRIPTION	PART	QTY	COMMENTS
1	See p.2 connection block config.			
6	Plug 1/2"	711500	1	QTY: 3 for EC30 Without Extra
9	O-ring 15,6x1,78	710912	1	Part of rotator frame assembly
10	O-ring 12,42x1,78	710973	4	Part of rotator frame assembly
11	O-ring 6,07x1,78	712422	2	Part of rotator frame assembly
12	Connection block ECHF	1028391	1	Part of rotator frame assembly
13	Washer NL10	611041	2	Part of rotator frame assembly
14	Socket Head Screw 10 x 50	610457	1	Part of rotator frame assembly
15	Quick hitch QS80 EC30 ECHF	1034069	1	QTY:2 for EC-Oil & Without Extra
16	Grease the ring			
17	O-ring 479,3x5,7	7000310	1	
18	Feather Key	650103	4	
19	Socket Head Screw 20x130	610560	12	Torque: 649Nm
20	Torque tighten quick hitch to rotator frame, twelve holes			
31	Does not apply to EC-Oil			See p.4 for instruction
32	O-ring 20,35x1,78 70 shore	710974	4	
33	Shim block 43mm ECHF	1034578	1	
34	Connection 3/4" ECHF S1	1031024	1	
35	MC6S 5x100	6000049	2	
36	MC6S 10x130	6000050	1	

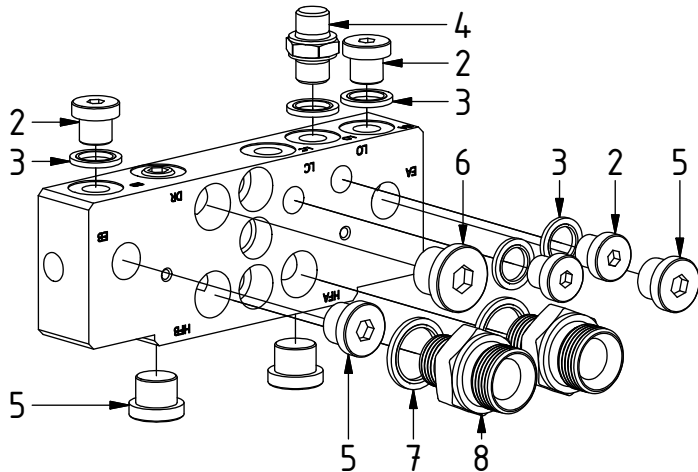
EC30 - QS80 ECHF

Standard:



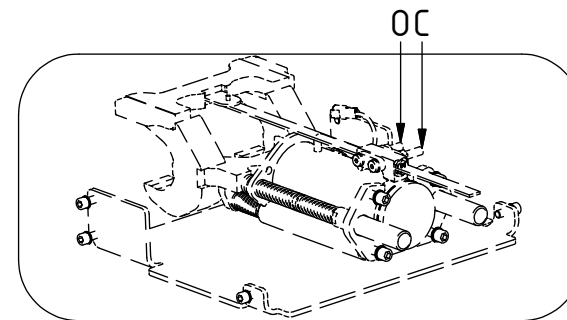
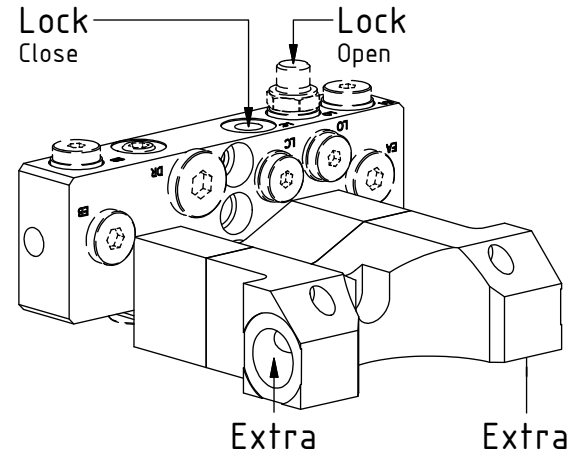
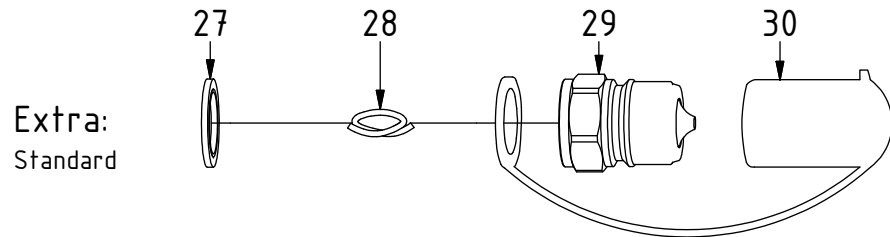
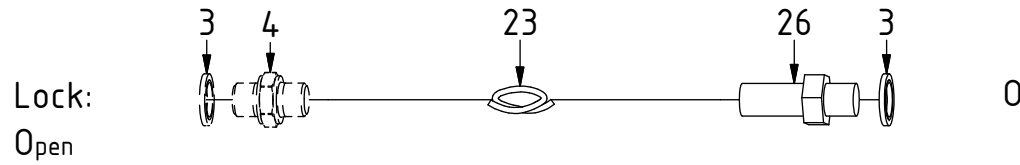
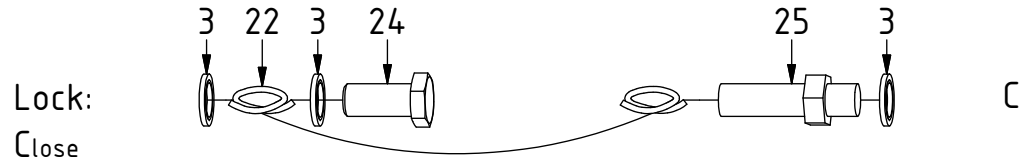
POS	DESCRIPTION	PART	QTY	COMMENTS
2	Plug 1/4"	711505	4	
3	Sealing washer 1/4"	710702	4	
4	Adapter 1/4"	710135	1	
5	Plug 3/8"	711504	4	
6	Plug 1/2"	711500	1	QTY: 3 for EC30 Without Extra
7	Sealing washer 1/2"	710704	2	
8	Adapter 1/2" male - 3/4" male	710109	2	

EC-Oil:



EC30 - QS80 ECHF

POS	DESCRIPTION	PART	QTY	COMMENTS
3	Sealing washer 1/4"	710702	4	
4	Adapter 1/4"	710135	1	
22	Hose Lock Short	7000198	1	
23	Hose Lock Long	7000197	1	
24	Banjobolt 1/4"	710271	1	
25	Bulkhead adapter extended 1/4"	710261	1	
26	Bulkhead adapter 1/4"	710240	1	
27	Sealing washer 3/4"	710706	2	
28	Hose Extra	742511	2	
29	Quick coupling 3/4"	790193	2	
30	Dust protection 3/4"	790195	2	



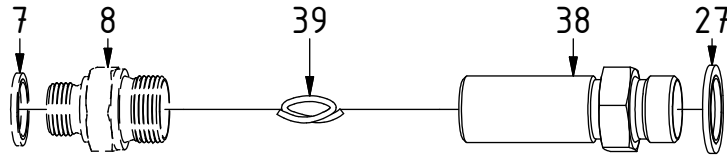
See instruction, Standard components

EC30 - QS80 ECHF

EC-Oil:

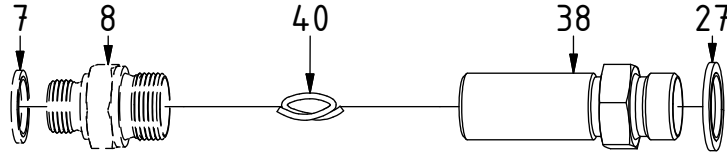
POS	DESCRIPTION	PART	QTY	COMMENTS
7	Sealing washer 1/2"	710704	2	
8	Adapter 1/2" male - 3/4" male	710109	2	
27	Sealing washer 3/4"	710706	2	
38	Bulkhead adapter extended 3/4"	712227	2	
39	Hose Extra (EC-Oil) Short	7000400	1	
40	Hose Extra (EC-Oil) Long	7000399	1	

Extra A:
EC-Oil

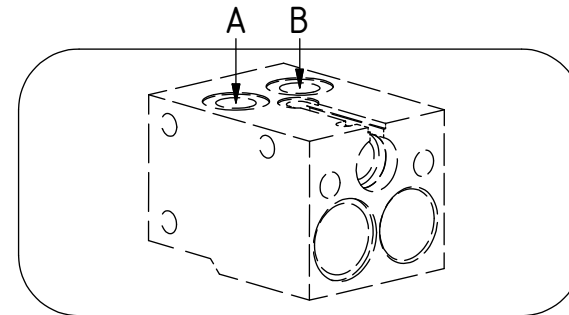
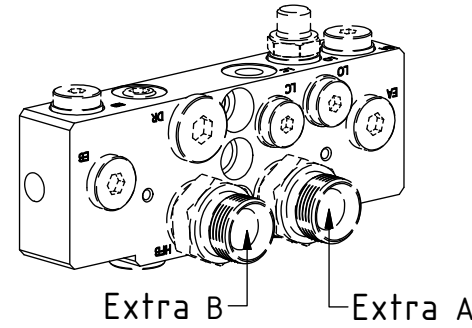


A

Extra B:
EC-Oil



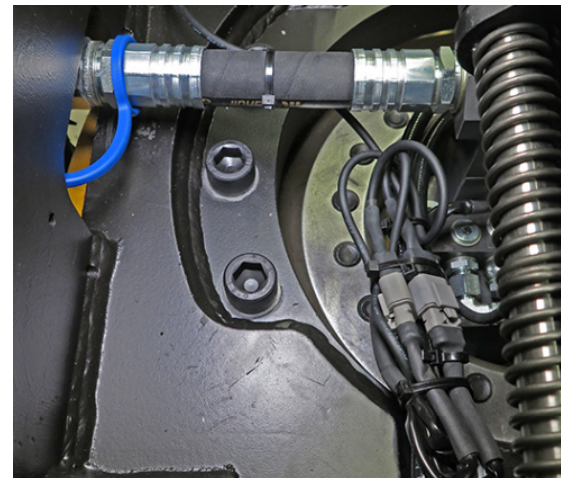
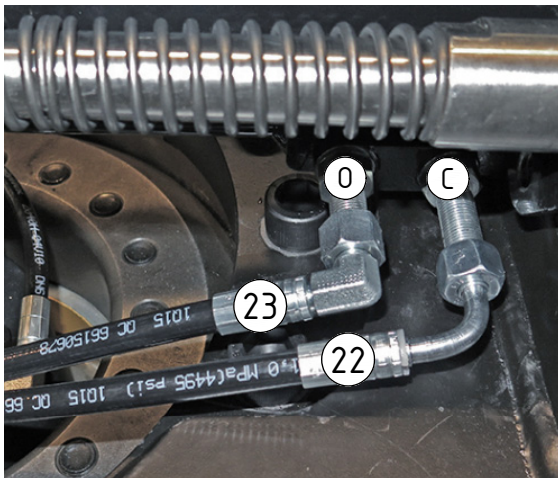
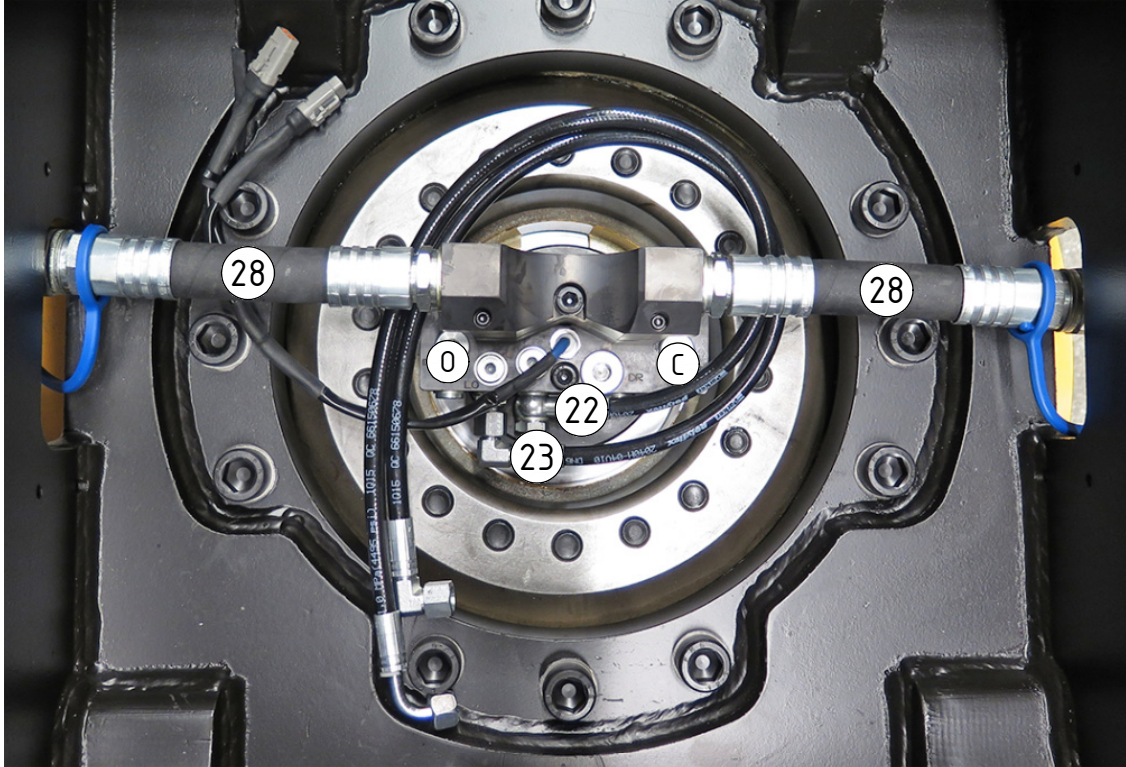
B



See instruction,
EC-Oil components

EC30 - QS80 ECHF

Standard:



POS	DESCRIPTION	PART	QTY	COMMENTS
21	Hose kit - Lock	7000196	1	(POS.22-23 included)
22	Hose Lock Short	7000198	1	
23	Hose Lock Long	7000197	1	
28	Hose Extra	742511	2	
39	Hose Extra (EC-Oil) Short	7000400	1	
40	Hose Extra (EC-Oil) Long	7000399	1	

EC-Oil:

