

## COVERSHEET

## Planned document changes:

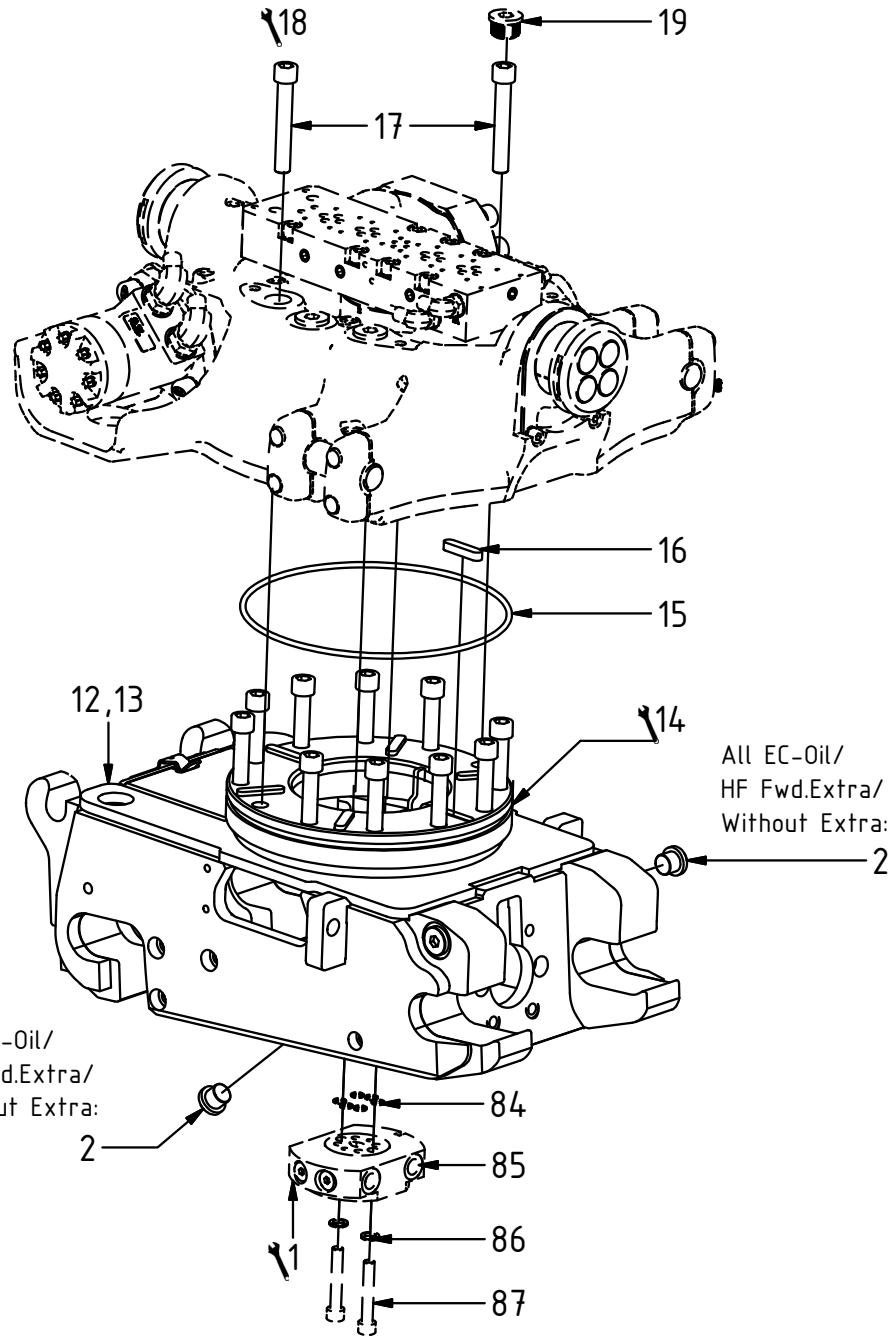
**Briefly:**

Add photos for HF, EC-Oil HF, EC-Oil Dbl.Extra, EC-Oil 2Bl. HF & QSD-Q EC-Oil 2Bl. 2HF (alert Documentation when built).

## Document changes:

<b>Date:</b>	<b>Change:</b>	<b>Rev. after change:</b>
2018-04-26	Partslist updated. Layout.	C
2017-10-09	Partslist updated. Layout.	B
2017-07-03	Option HF Fwd.Extra, torque & hose kits added.	A
2017-05-02	Photos added.	-
2017-03-13	New instruction.	-

# EC209 - QSD45/QSD50

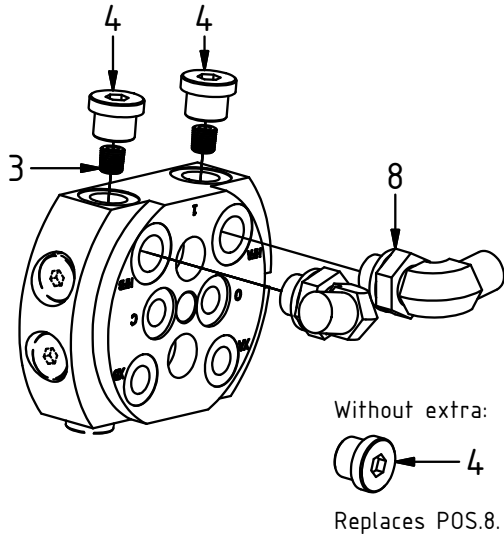


POS	DESCRIPTION	PART	QTY	COMMENTS
1	See p.2-3 connection block config.			
2	Plug 1/2"	711500	4	For option EC-Oil, HF Fwd.Extra
12	Quick hitch QSD45 EC209	1036400	1	
13	Quick hitch QSD50 EC209	1039288	1	
14	Grease the ring			
15	O-ring 242x5	710965	1	
16	Feather Key	650101	6	
17	Screw MC6S 14x90	610510	12	Torque: 217Nm
18	Torque tighten quick hitch to rotator frame, six holes. Rotate to access the remaining holes			
19	Pipe Plug M26x1,5	650409	6	Part of rotator frame assembly
84	O-ring 9,25x1,78	710901	6	Part of rotator frame assembly
85	Connection block EC209	1025502	1	Part of rotator frame assembly
86	Washer NL10	611041	2	Part of rotator frame assembly
87	Screw MC6S 10x60	610460	2	Part of rotator frame assembly

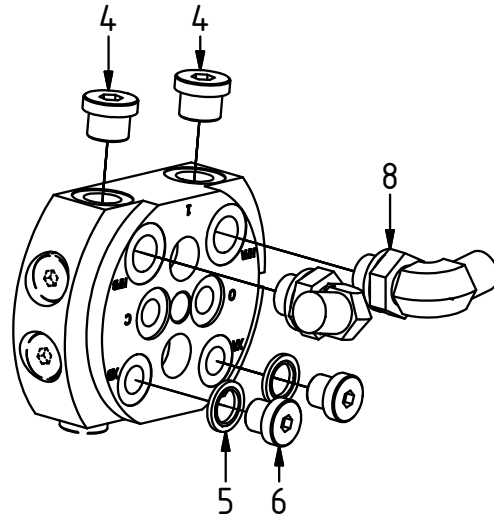
# EC209 - QSD45/QSD50

POS	DESCRIPTION	PART	QTY	COMMENTS
3	Plug 1/8" BSPT	711523	2	Loctite 5400
4	Plug 3/8"	711504	2	QTY: 4 for Without extra
5	Sealing washer 1/4"	710702	12	QTY depends on config (6-14)
6	Plug 1/4"	711505	2	
7	Adapter 236-04-04 (1/4")	1013885	1	
8	Adapter 401-06-06 90° (3/8")	710152	2	QTY depends on config (1-3)
9	Sealing washer 3/8"	710703	2	QTY depends on config (1-13)
10	Adapter 136-06-06 (3/8")	710106	1	
11	Adapter 830-06-06 (3/8")	710147	2	
20	Banjobolt 3/8"	710272	4	QTY depends on config (2-4)

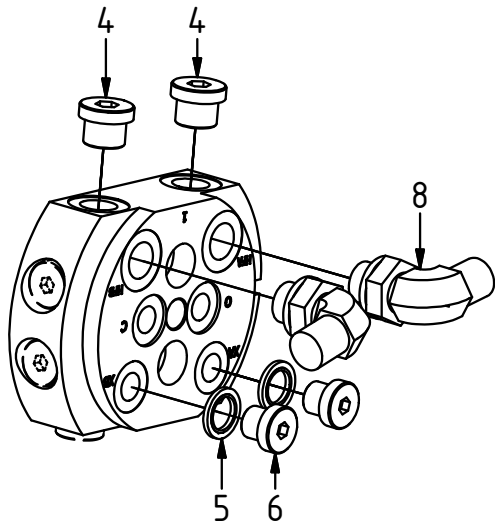
Standard / QSD-Q:



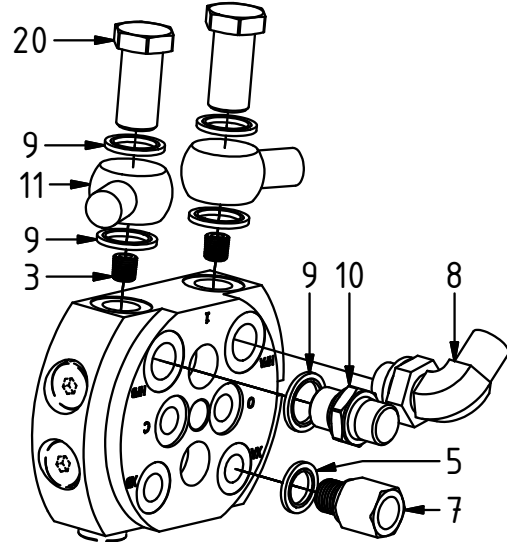
HF:



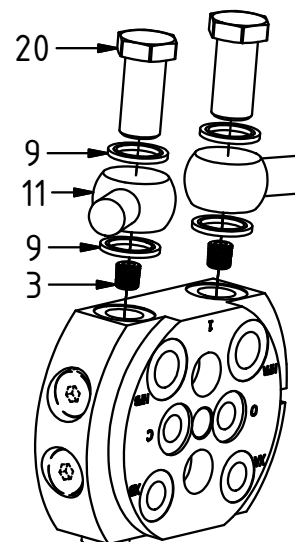
HF Fwd.Extra:



QSD-Q EC-Oil:



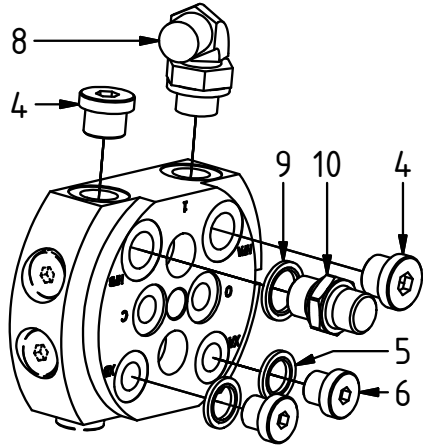
QSD-Q EC-Oil 2Bl. 2HF:



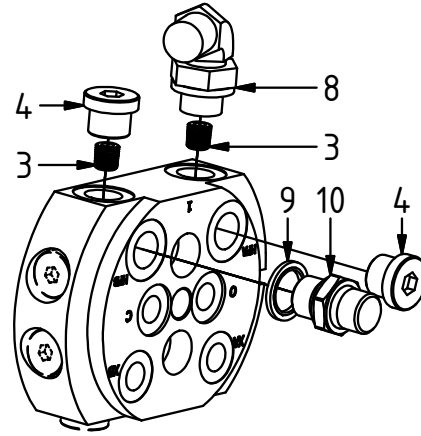
# EC209 - QSD45/QSD50

POS	DESCRIPTION	PART	QTY	COMMENTS
3	Plug 1/8" BSPT	711523	2	Loctite 5400
4	Plug 3/8"	711504	2	QTY: 4 for Without extra
5	Sealing washer 1/4"	710702	12	QTY depends on config (6-14)
6	Plug 1/4"	711505	2	
8	Adapter 401-06-06 90° (3/8")	710152	2	QTY depends on config (1-3)
9	Sealing washer 3/8"	710703	2	QTY depends on config (1-13)
10	Adapter 136-06-06 (3/8")	710106	1	

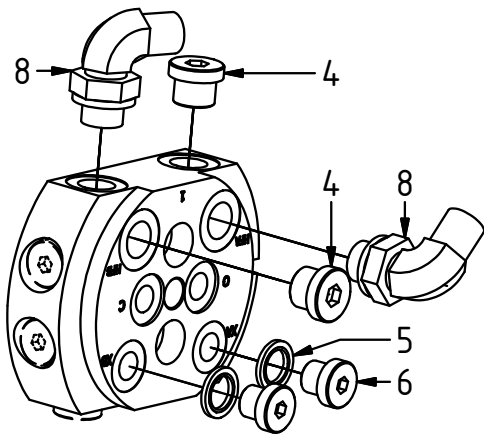
EC-Oil HF:



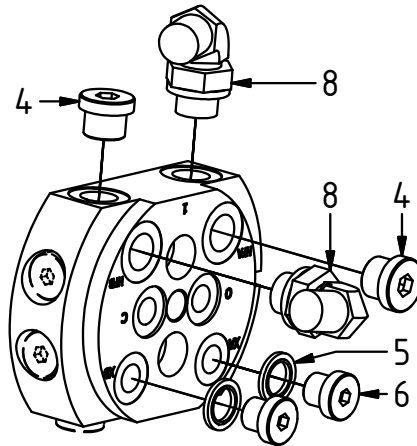
EC-Oil / EC-Oil Dbl.Extra:



EC-Oil 2Bl. HF:  
QSD45



EC-Oil 2Bl. HF:  
QSD50

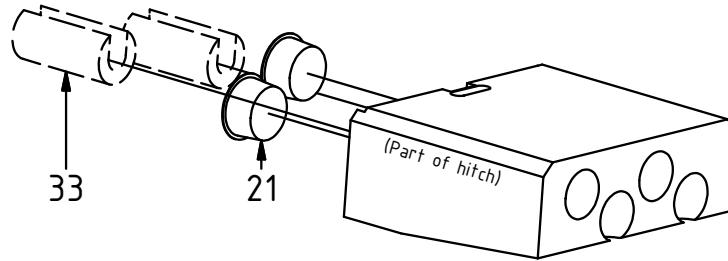


# EC209 - QSD45/QSD50

POS	DESCRIPTION	PART	QTY	COMMENTS
21	Protection plug 3/8"	7000153	2	QTY depends on config (2-4)
22	3/8" Hydraulic Quick coupler	1035724	4	
33	Hose holder QSD45/50	1038800	2	
65	Mounting plate ECO QSD45/50	1041017	1	
66	Screw MF6S 6x20	6000113	4	
67	Protection ECO QSD45	1037465	1	

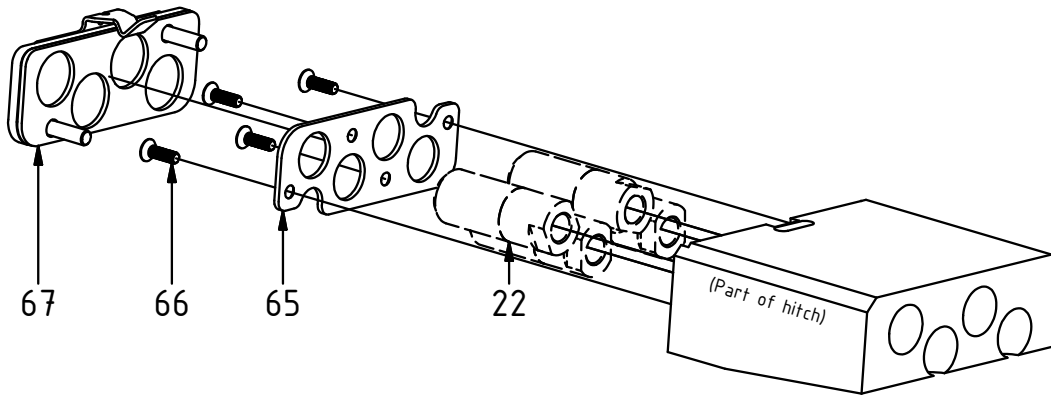
## Standard / EC-Oil / EC-Oil Dbl.Extra with Grab:

(p.5) (p.10) (p.14)

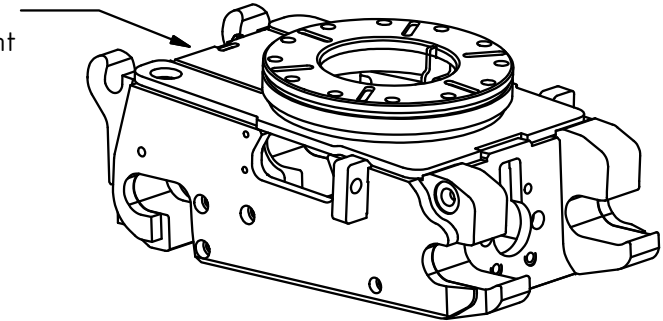


## QSD-Q / QSD-Q EC-Oil / QSD-Q EC-Oil 2Bl. 2HF:

(p.7) (p.8) (p.9)

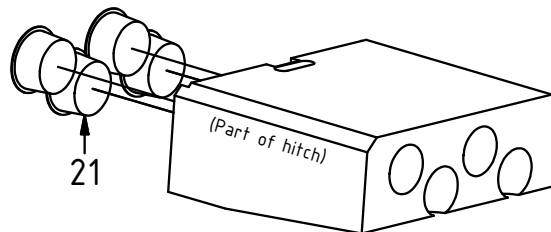


Plugs/couplings located at hitch front



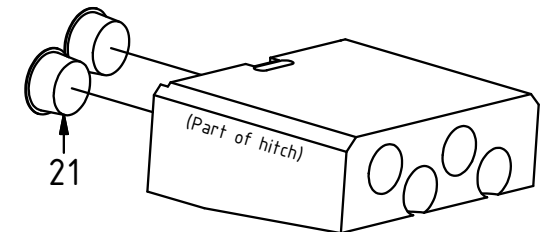
## HF / EC-Oil HF / EC-Oil Dbl.Extra / EC-Oil 2Bl. HF / Without Extra:

(p.6) (p.11) (p.12) (p.13)



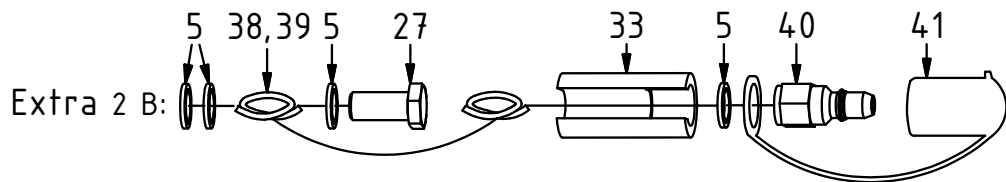
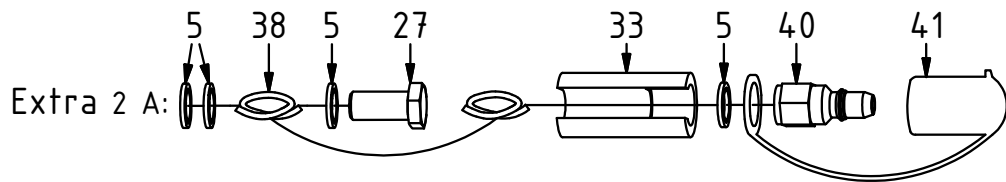
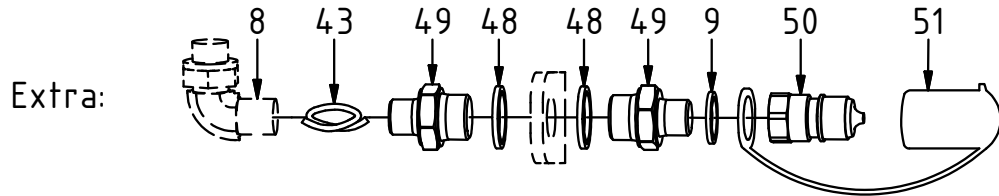
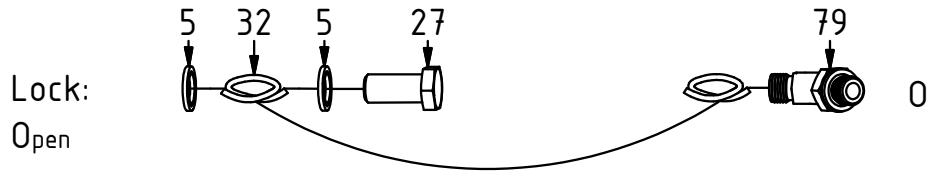
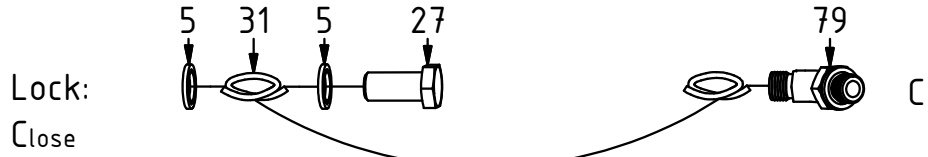
## HF Fwd.Extra

(p.6)

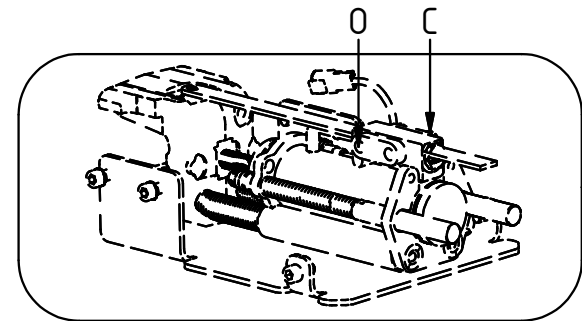
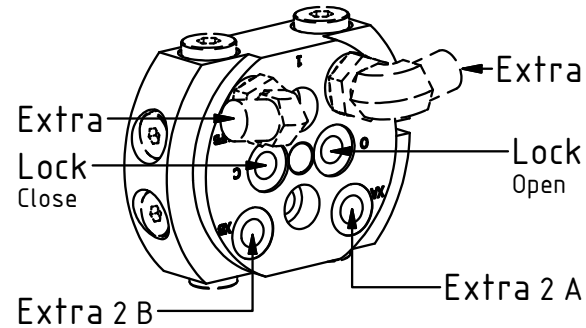


# EC209 - QSD45/QSD50

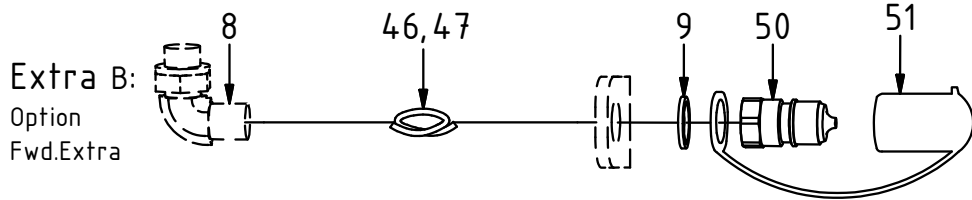
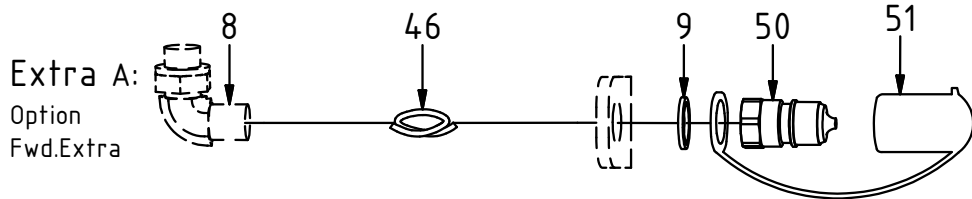
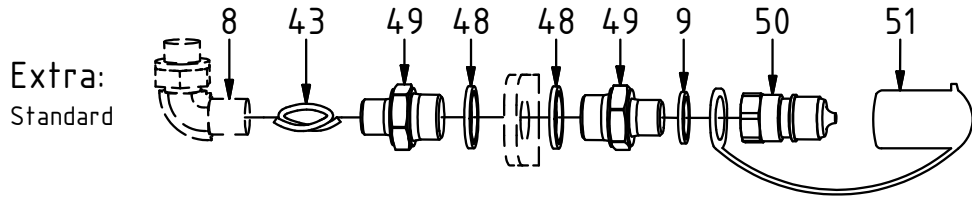
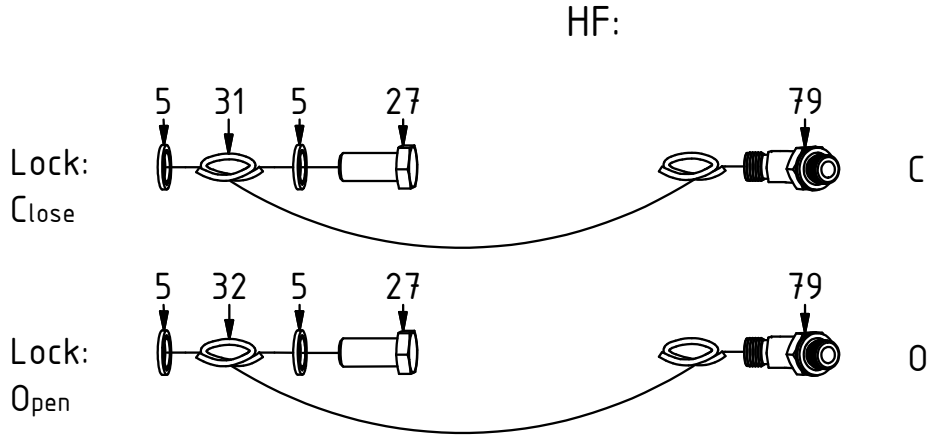
Standard:



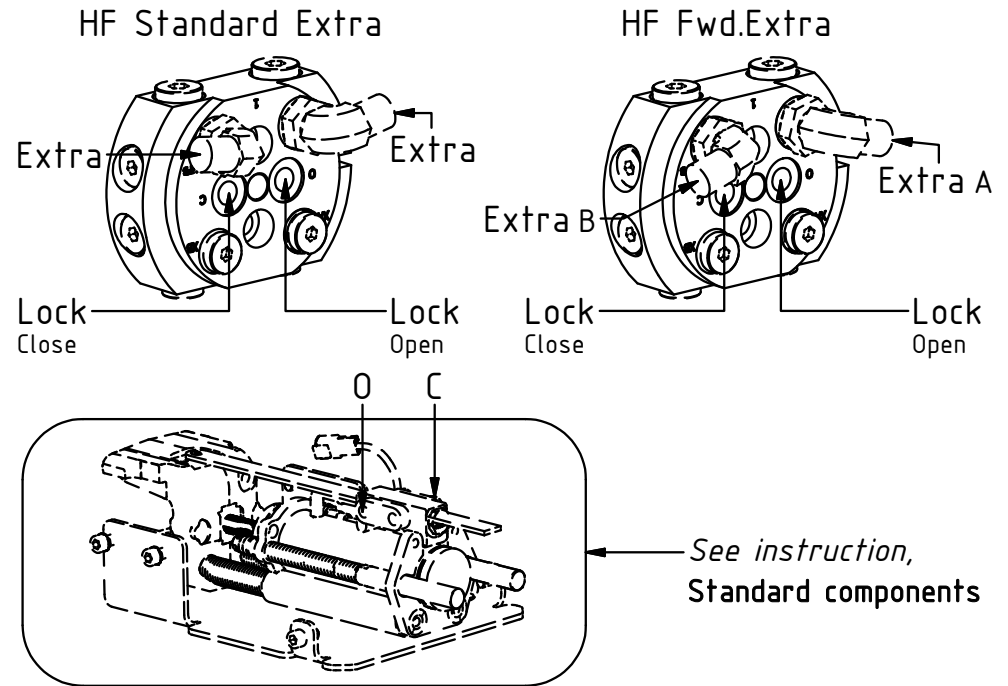
POS	DESCRIPTION	PART	QTY	COMMENTS
5	Sealing washer 1/4"	710702	12	QTY depends on config (6-14)
8	Adapter 401-06-06 90° (3/8")	710152	2	QTY depends on config (1-3)
9	Sealing washer 3/8"	710703	2	QTY depends on config (1-13)
27	Banjobolt 1/4"	710271	4	QTY depends on config (2-4)
30	Hose kit - Lock	7000542	1	POS.30, 31 included
31	Hose Lock Long	7000434	1	
32	Hose Lock Short	7000433	1	
33	Hose holder QSD45/50	1038800	2	
34	Hose kit - Std QSD45	7000543	1	POS.37, 42 included
35	Hose kit - Std QSD50	7000544	1	POS.37, 38, 42 included
38	Hose GRD Short	7000435	2	QTY: 1 for QSD50
39	Hose GRD Long	7000449	1	For QSD50
40	Quick Coupler 1/4"	790111	2	
41	Dust protection 1/4"	790119	2	
43	Hose Extra A/B	7000436	2	
48	Sealing washer 1/2"	710704	4	
49	Adapter 135-06-08 (3/8"-1/2")	710122	4	
50	Quick coupling 3/8"	790113	2	
51	Dust protection 3/8"	790120	2	
79	Adapter 402-04-04 45° (1/4")	7000104	2	



# EC209 - QSD45/QSD50

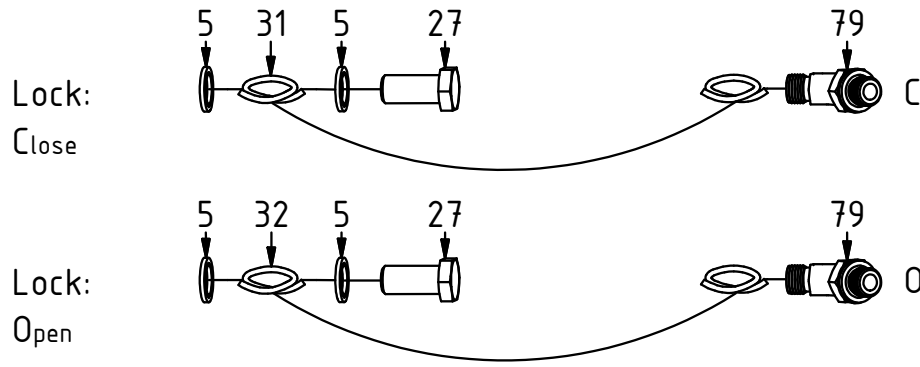


POS	DESCRIPTION	PART	QTY	COMMENTS
5	Sealing washer 1/4"	710702	12	QTY depends on config (6-14)
8	Adapter 401-06-06 90° (3/8")	710152	2	QTY depends on config (1-3)
9	Sealing washer 3/8"	710703	2	QTY depends on config (1-13)
27	Banjobolt 1/4"	710271	4	QTY depends on config (2-4)
30	Hose kit - Lock	7000542	1	POS.30, 31 included
31	Hose Lock Long	7000434	1	
32	Hose Lock Short	7000433	1	
42	Hose kit - HF	7000545	1	POS.42 included
43	Hose Extra A/B	7000436	2	
44	Hose kit - HF Fwd.Extra QSD45	7000546	1	POS.45 included
45	Hose kit - HF Fwd.Extra QSD50	7000547	1	POS.45, 46 included
46	Hose Fwd.Extra Short	7000540	2	For HF Fwd.Extra QTY: 1 for QSD50
47	Hose Fwd.Extra Long	7000541	1	For QSD50
48	Sealing washer 1/2"	710704	4	
49	Adapter 135-06-08 (3/8"-1/2")	710122	4	
50	Quick coupling 3/8"	790113	2	
51	Dust protection 3/8"	790120	2	
79	Adapter 402-04-04 45° (1/4")	7000104	2	

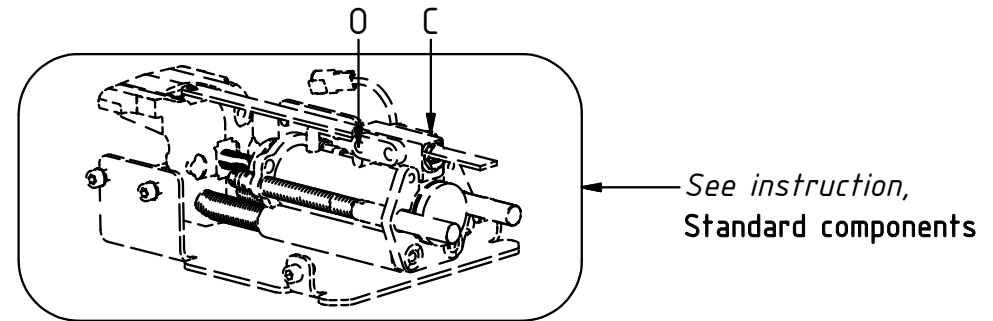
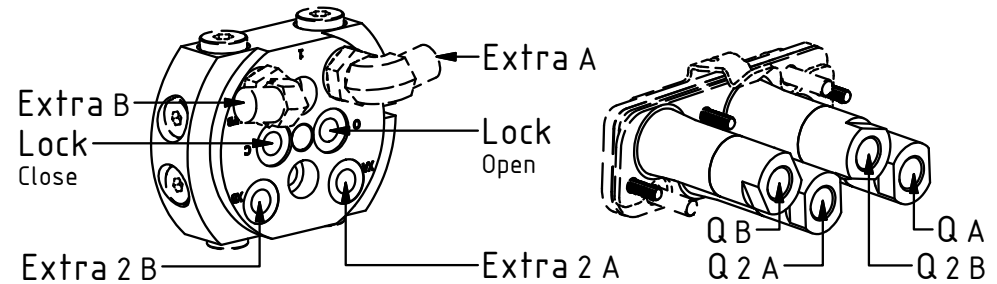
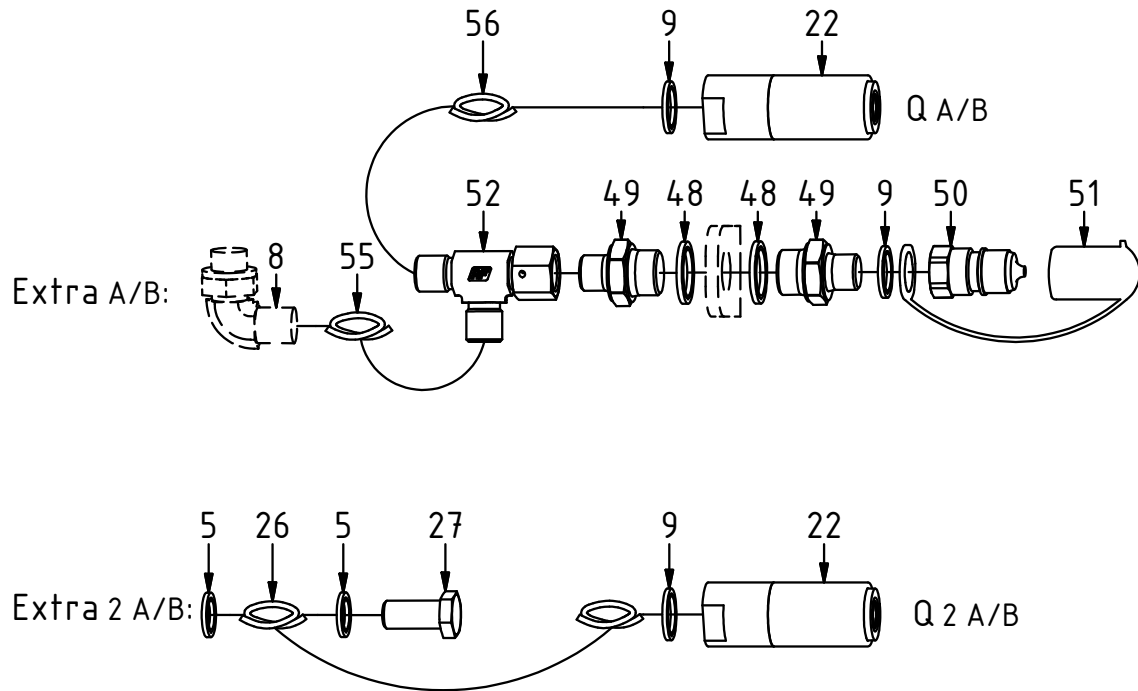


# EC209 - QSD45/QSD50

QSD-Q:



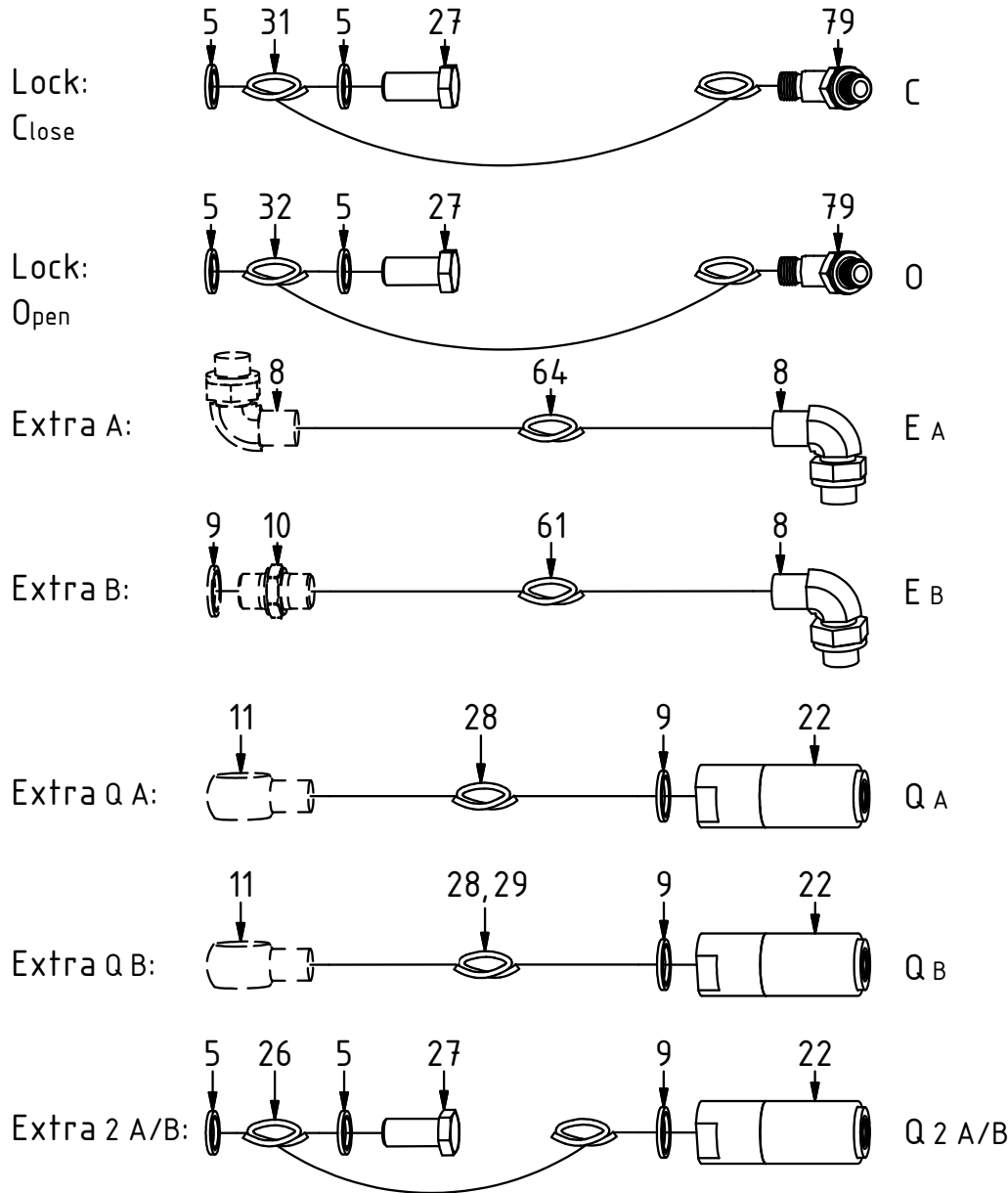
POS	DESCRIPTION	PART	QTY	COMMENTS
5	Sealing washer 1/4"	710702	12	QTY depends on config (6-14)
8	Adapter 401-06-06 90° (3/8")	710152	2	QTY depends on config (1-3)
9	Sealing washer 3/8"	710703	2	QTY depends on config (1-13)
22	3/8" Hydraulic Quick coupler	1035724	4	
23	Hose kit - QSD-Q	7000548	1	POS.25, 54, 55 included
26	Hose GRD QSD-Q	7000437	2	
27	Banjobolt 1/4"	710271	4	QTY depends on config (2-4)
30	Hose kit - Lock	7000542	1	POS.30, 31 included
31	Hose Lock Long	7000434	1	
32	Hose Lock Short	7000433	1	
48	Sealing washer 1/2"	710704	4	
49	Adapter 135-06-08 (3/8"-1/2")	710122	4	
50	Quick coupling 3/8"	790113	2	
51	Dust protection 3/8"	790120	2	
52	Adapter 855-06-06 (3/8")	710281	2	
55	Hose Extra A/B QSD-Q	7000441	2	
56	Hose SWD QSD-Q	7000442	2	
79	Adapter 402-04-04 45° (1/4")	7000104	2	





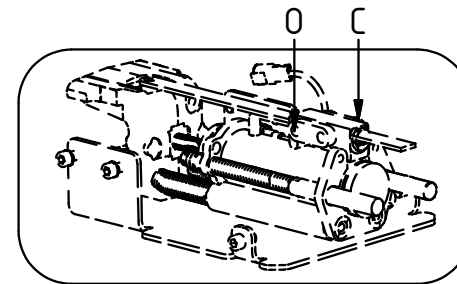
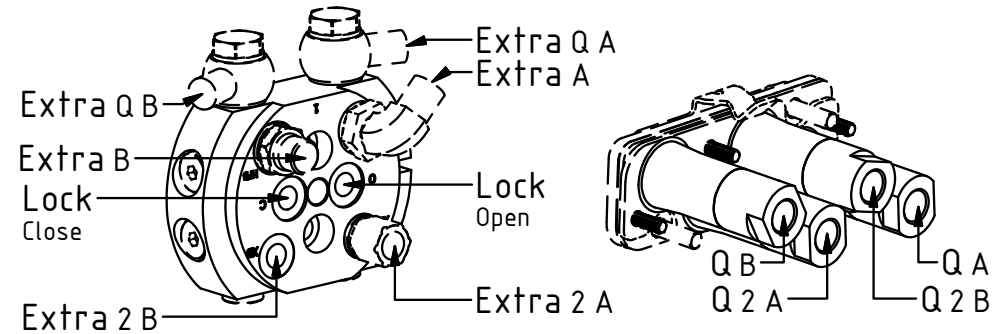
# EC209 - QSD45/QSD50

## QSD-Q EC-Oil:

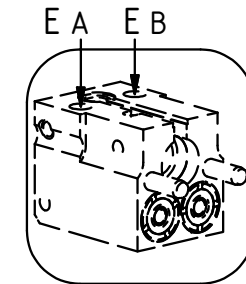


POS	DESCRIPTION	PART	QTY	COMMENTS
5	Sealing washer 1/4"	710702	12	QTY depends on config (6-14)
8	Adapter 401-06-06 90° (3/8")	710152	2	QTY depends on config (1-3)
9	Sealing washer 3/8"	710703	2	QTY depends on config (1-13)
10	Adapter 136-06-06 (3/8")	710106	1	
11	Adapter 830-06-06 (3/8")	710147	2	
22	3/8" Hydraulic Quick coupler	1035724	4	
24	Hose kit - QSD-Q EC-Oil QSD45	7000549	1	POS.25, 27, 60, 63 included
25	Hose kit - QSD-Q EC-Oil QSD50	7000550	1	POS.25, 27, 28, 60, 63 included
26	Hose GRD QSD-Q	7000437	2	
27	Banjobolt 1/4"	710271	4	QTY depends on config (2-4)
28	Hose SWD QSD-Q EC-Oil Short	7000440	2	QTY: 1 for QSD50
29	Hose SWD QSD-Q EC-Oil Long	7000459	1	For QSD50
30	Hose kit - Lock	7000542	1	POS.30, 31 included
31	Hose Lock Long	7000434	1	
32	Hose Lock Short	7000433	1	
61	Hose Extra B QSD-Q EC-Oil	7000438	1	
64	Hose Extra A QSD-Q EC-Oil Short	7000439	1	
79	Adapter 402-04-04 45° (1/4")	7000104	2	

POS in order of assembly



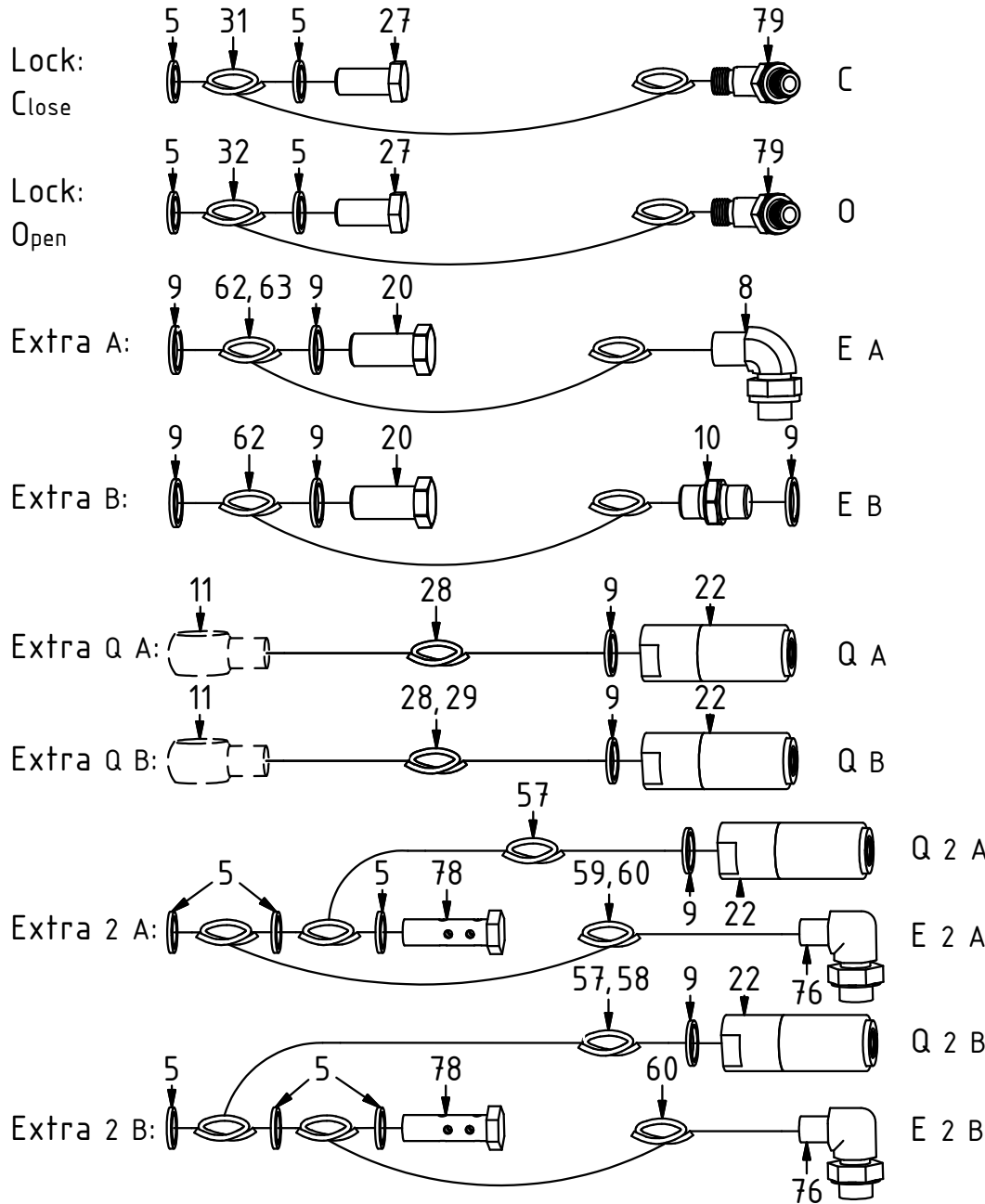
See instruction,  
Standard components



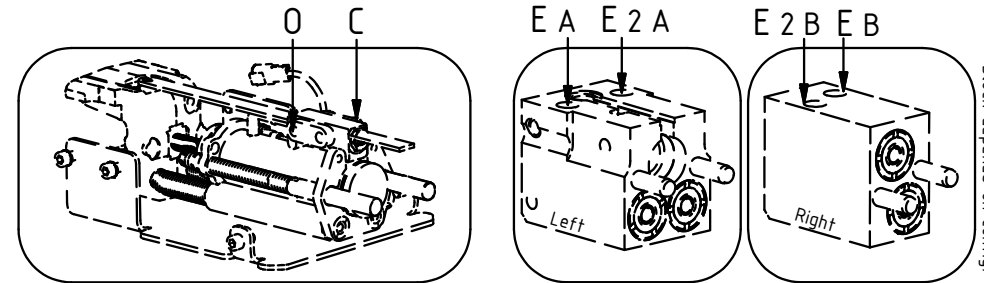
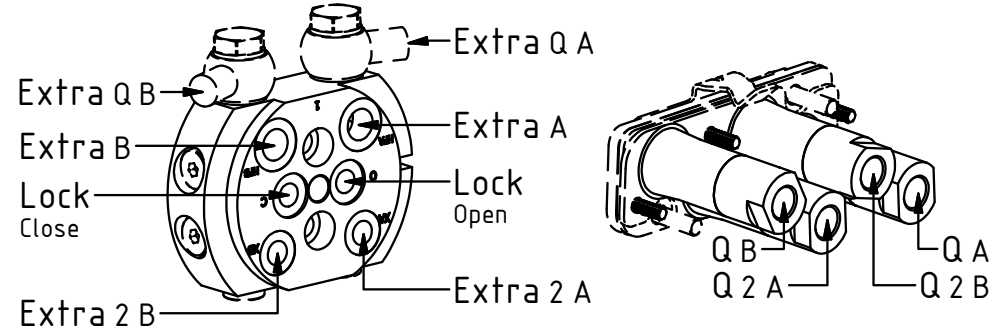
See instruction,  
EC-Oil components

# EC209 - QSD45/QSD50

## QSD-Q EC-Oil 2Bl. 2HF:



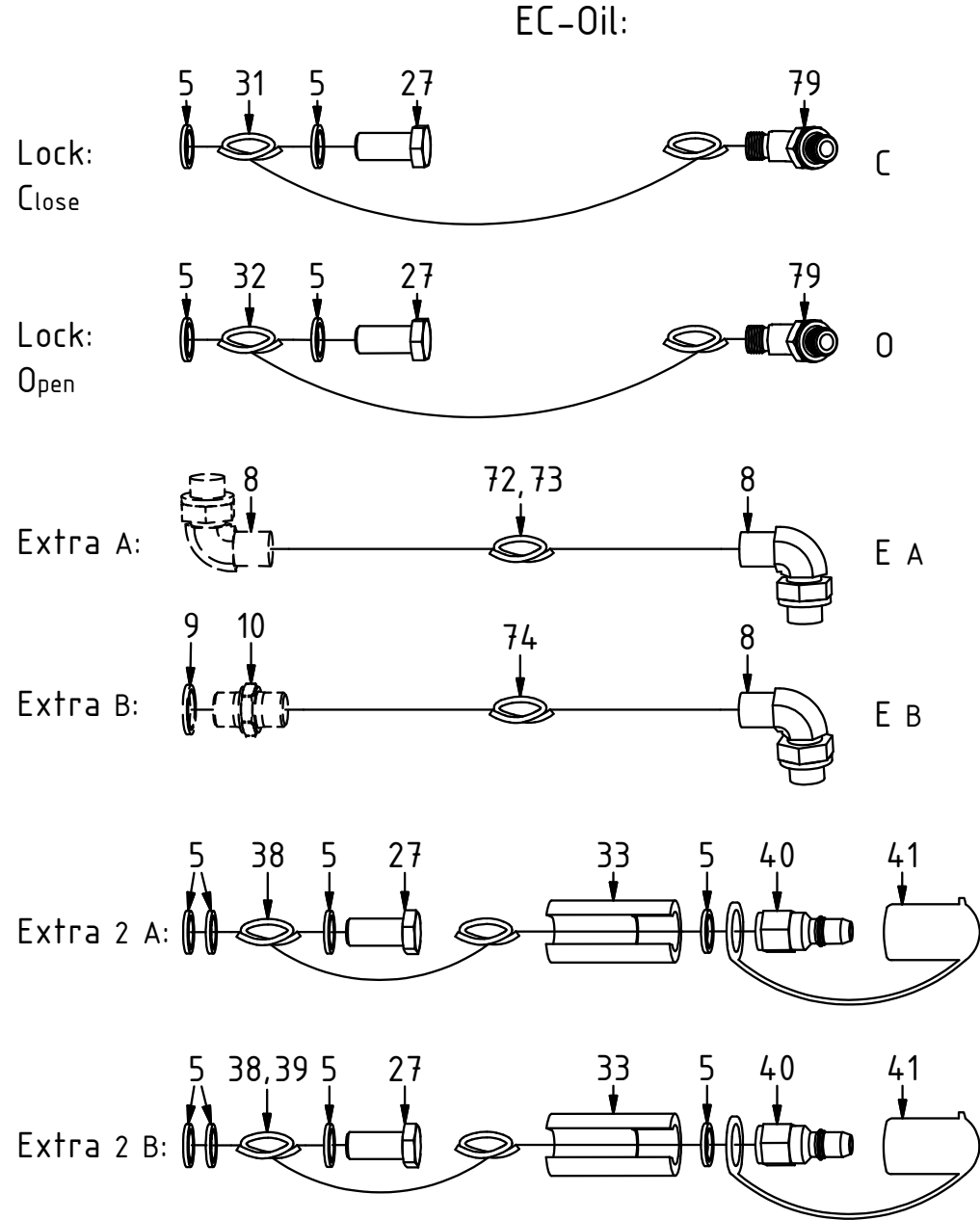
POS	DESCRIPTION	PART	QTY	COMMENTS
5	Sealing washer 1/4"	710702	12	QTY depends on config (6-14)
8	Adapter 401-06-06 90° (3/8")	710152	2	QTY depends on config (1-3)
9	Sealing washer 3/8"	710703	2	QTY depends on config (1-13)
10	Adapter 136-06-06 (3/8")	710106	1	
11	Adapter 830-06-06 (3/8")	710147	2	
20	Banjobolt 3/8"	710272	4	QTY depends on config (2-4)
22	3/8" Hydraulic Quick coupler	1035724	4	
27	Banjobolt 1/4"	710271	4	QTY depends on config (2-4)
28	Hose SWD QSD-Q EC-Oil Short	7000440	2	QTY: 1 for QSD50
29	Hose SWD QSD-Q EC-Oil Long	7000459	1	For QSD50
30	Hose kit - Lock	7000542	1	POS.30, 31 included
31	Hose Lock Long	7000434	1	
32	Hose Lock Short	7000433	1	
57	Hose GRD QSD-Q EC-Oil Short	7000443	2	QTY: 1 for QSD50
58	Hose GRD QSD-Q EC-Oil Long	7000460	1	For QSD50
59	Hose Extra 2 QSD-Q EC-Oil Long	7000462	1	For QSD50
60	Hose Extra 2 QSD-Q EC-Oil Short	7000445	2	QTY: 1 for QSD50 & EC-Oil Dbl.Extra
62	Hose Extra A/B QSD-Q EC-Oil	7000444	1	
63	Hose Extra A QSD-Q EC-Oil Long	7000461	1	
76	Adapter 401-04-06 90° (1/4"-3/8")	710154	2	QTY depends on config (1-2)
78	Banjobolt extended 1/4"	712214	2	
79	Adapter 402-04-04 45° (1/4")	7000104	2	



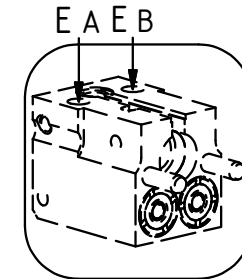
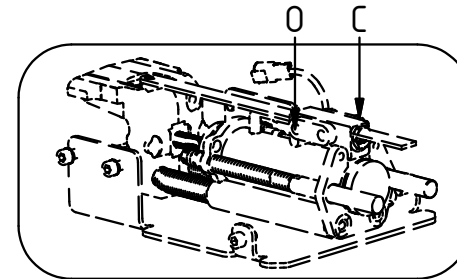
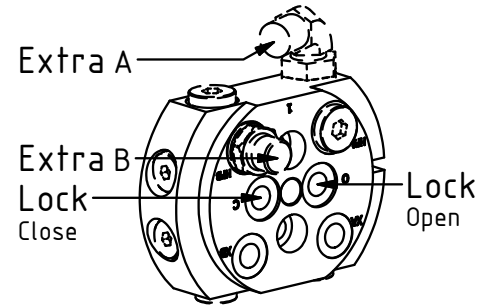
See instruction,  
Standard components

See instruction,  
EC-Oil components

# EC209 - QSD45/QSD50



POS	DESCRIPTION	PART	QTY	COMMENTS
5	Sealing washer 1/4"	710702	12	QTY depends on config (6-14)
8	Adapter 401-06-06 90° (3/8")	710152	2	QTY depends on config (1-3)
9	Sealing washer 3/8"	710703	2	QTY depends on config (1-13)
10	Adapter 136-06-06 (3/8")	710106	1	
27	Banjobolt 1/4"	710271	4	QTY depends on config (2-4)
30	Hose kit - Lock	7000542	1	POS.30, 31 included
31	Hose Lock Long	7000434	1	
32	Hose Lock Short	7000433	1	
33	Hose holder QSD45/50	1038800	2	
36	Hose kit - EC-Oil QSD45	7000555	1	POS.37, 71, 73 included
37	Hose kit - EC-Oil QSD50	7000556	1	POS.37, 38, 72, 73 included
38	Hose GRD Short	7000435	2	QTY: 1 for QSD50
39	Hose GRD Long	7000449	1	For QSD50
40	Quick Coupler 1/4"	790111	2	
41	Dust protection 1/4"	790119	2	
72	Hose Extra A/B EC-Oil	740197	1	For QSD45
73	Hose Extra A EC-Oil Short	7000463	1	For QSD50
74	Hose Extra B EC-Oil	7000447	1	
79	Adapter 402-04-04 45° (1/4")	7000104	2	

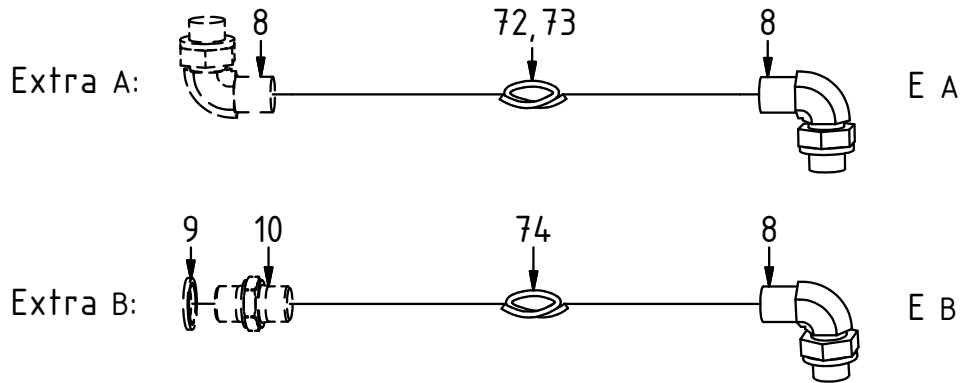
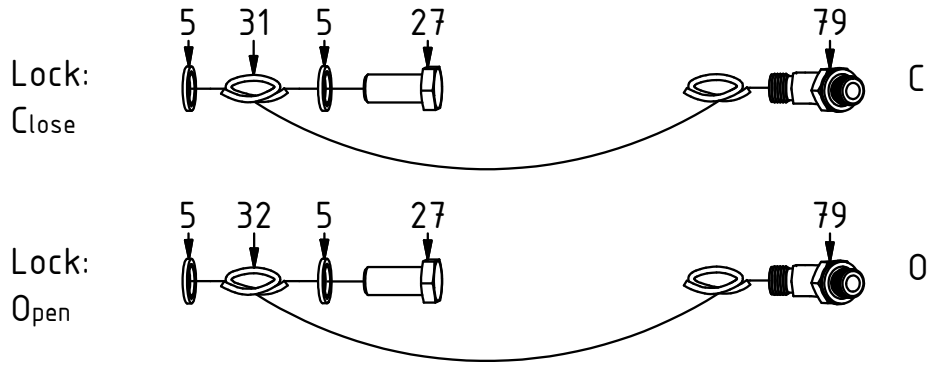


See instruction,  
Standard components

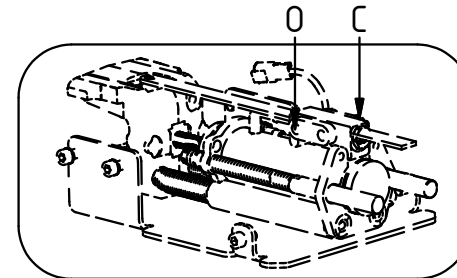
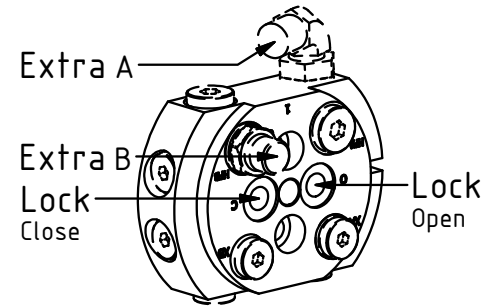
See instruction,  
EC-Oil components

# EC209 - QSD45/QSD50

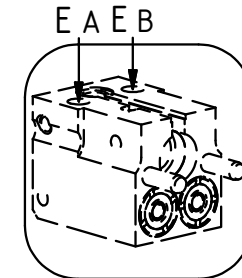
## EC-Oil HF:



POS	DESCRIPTION	PART	QTY	COMMENTS
5	Sealing washer 1/4"	710702	12	QTY depends on config (6-14)
8	Adapter 401-06-06 90° (3/8")	710152	2	QTY depends on config (1-3)
9	Sealing washer 3/8"	710703	2	QTY depends on config (1-13)
10	Adapter 136-06-06 (3/8")	710106	1	
27	Banjobolt 1/4"	710271	4	QTY depends on config (2-4)
30	Hose kit - Lock	7000542	1	POS.30, 31 included
31	Hose Lock Long	7000434	1	
32	Hose Lock Short	7000433	1	
70	Hose kit - EC-Oil HF QSD45	7000553	1	POS.71, 73 included
71	Hose kit - EC-Oil HF QSD50	7000554	1	POS.72, 73 included
72	Hose Extra A/B EC-Oil	740197	1	For QSD45
73	Hose Extra A EC-Oil Short	7000463	1	For QSD50
74	Hose Extra B EC-Oil	7000447	1	
79	Adapter 402-04-04 45° (1/4")	7000104	2	



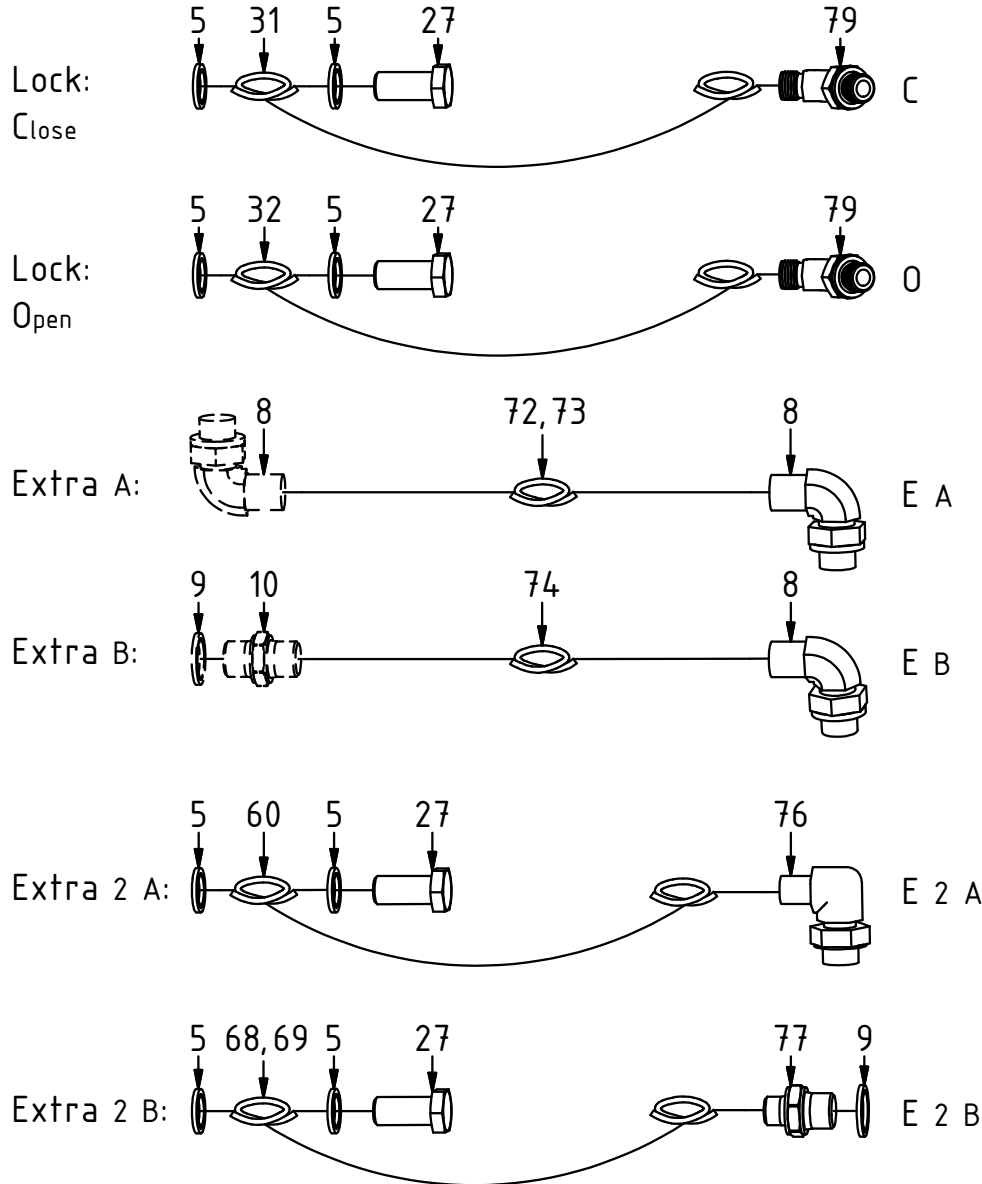
See instruction,  
Standard components



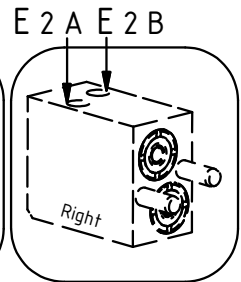
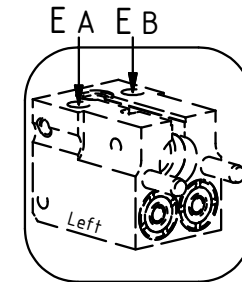
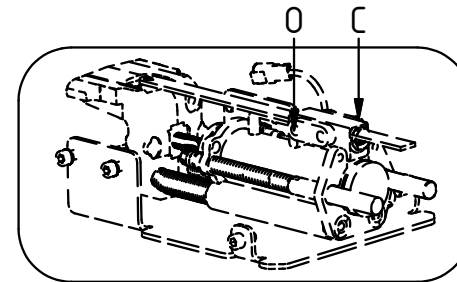
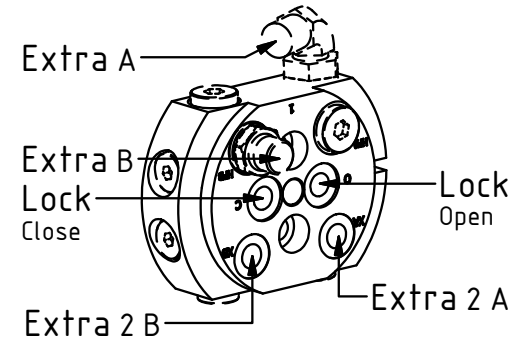
See instruction,  
EC-Oil components

# EC209 - QSD45/QSD50

## EC-Oil Dbl.Extra:



POS	DESCRIPTION	PART	QTY	COMMENTS
5	Sealing washer 1/4"	710702	12	QTY depends on config (6-14)
8	Adapter 401-06-06 90° (3/8")	710152	2	QTY depends on config (1-3)
9	Sealing washer 3/8"	710703	2	QTY depends on config (1-13)
10	Adapter 136-06-06 (3/8")	710106	1	
27	Banjobolt 1/4"	710271	4	QTY depends on config (2-4)
30	Hose kit - Lock	7000542	1	POS.30, 31 included
31	Hose Lock Long	7000434	1	
32	Hose Lock Short	7000433	1	
53	Hose kit - EC-Oil Dbl.Extra QSD45	7000551	1	POS.59, 67, 71, 73 included
54	Hose kit - EC-Oil Dbl.Extra QSD50	7000552	1	POS.59, 68, 72, 73 included
60	Hose Extra 2 QSD-Q EC-Oil Short	7000445	2	QTY: 1 for QSD50 & EC-Oil Dbl.Extra
68	Hose Extra 2 EC-Oil Short	7000448	2	QTY: 1 for QSD50 & QSD45 EC-Oil Dbl.Extra
69	Hose Extra 2 EC-Oil Long	7000450	1	For QSD50
72	Hose Extra A/B EC-Oil	740197	1	For QSD45
73	Hose Extra A EC-Oil Short	7000463	1	For QSD50
74	Hose Extra B EC-Oil	7000447	1	
76	Adapter 401-04-06 90° (1/4"-3/8")	710154	2	QTY depends on config (1-2)
77	Adapter 135-04-06 (1/4"-3/8")	710118	1	
79	Adapter 402-04-04 45° (1/4")	7000104	2	

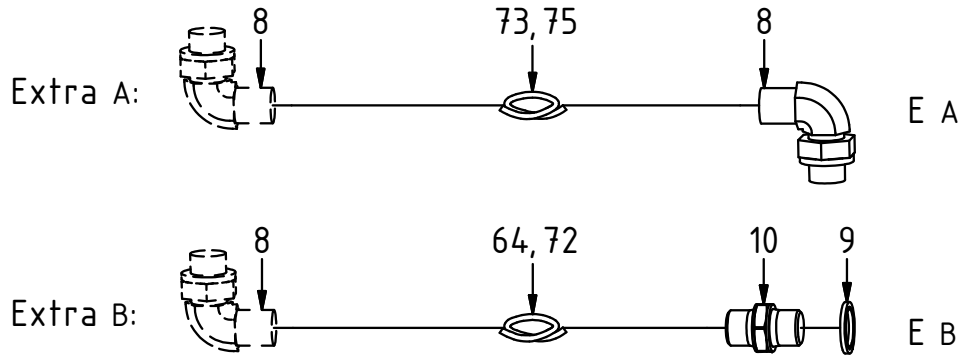
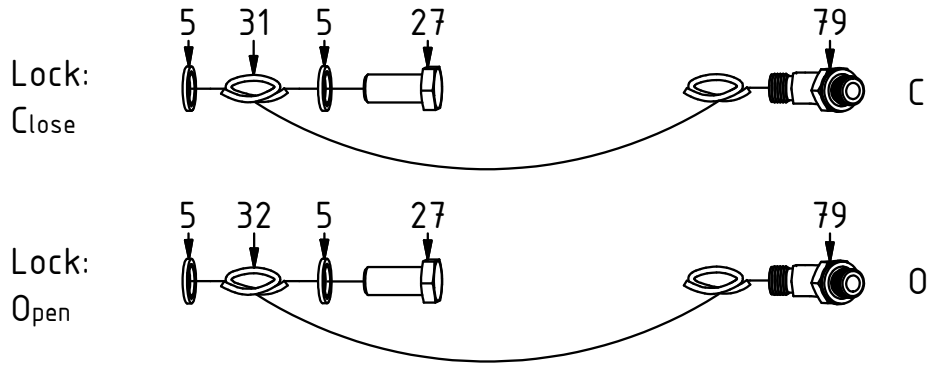


See instruction,  
Standard components

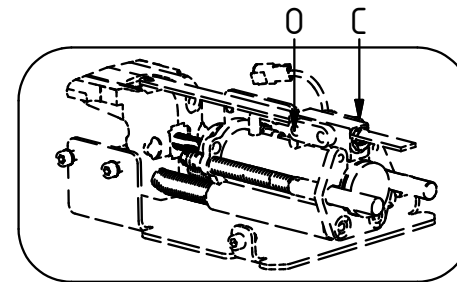
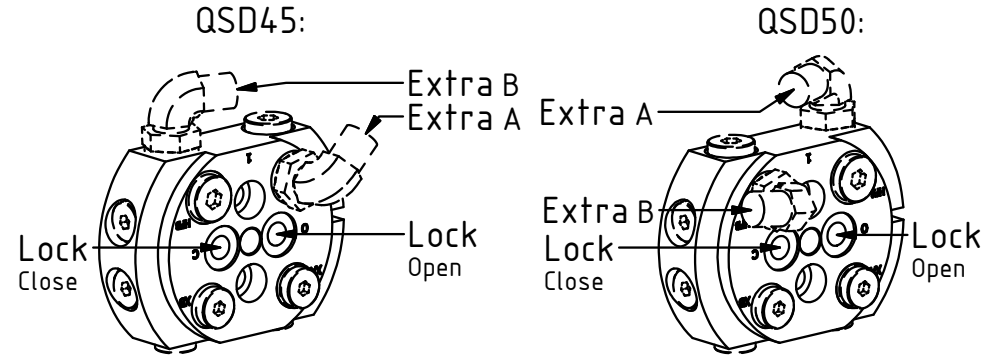
See instruction,  
EC-Oil components

# EC209 - QSD45/QSD50

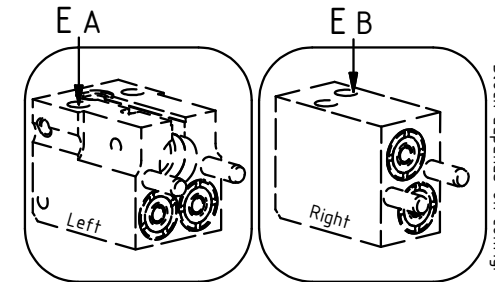
## EC-Oil 2Bl. HF:



POS	DESCRIPTION	PART	QTY	COMMENTS
5	Sealing washer 1/4"	710702	12	QTY depends on config (6-14)
8	Adapter 401-06-06 90° (3/8")	710152	2	QTY depends on config (1-3)
9	Sealing washer 3/8"	710703	2	QTY depends on config (1-13)
10	Adapter 136-06-06 (3/8")	710106	1	
27	Banjobolt 1/4"	710271	4	QTY depends on config (2-4)
30	Hose kit - Lock	7000542	1	POS.30, 31 included
31	Hose Lock Long	7000434	1	
32	Hose Lock Short	7000433	1	
64	Hose Extra A QSD-Q EC-Oil Short	7000439	1	
72	Hose Extra A/B EC-Oil	740197	1	For QSD45
73	Hose Extra A EC-Oil Short	7000463	1	For QSD50
75	Hose Extra A EC-Oil Long	7000446	2	QTY: 1 for QSD50 & EC-Oil 2Bl. HF
79	Adapter 402-04-04 45° (1/4")	7000104	2	



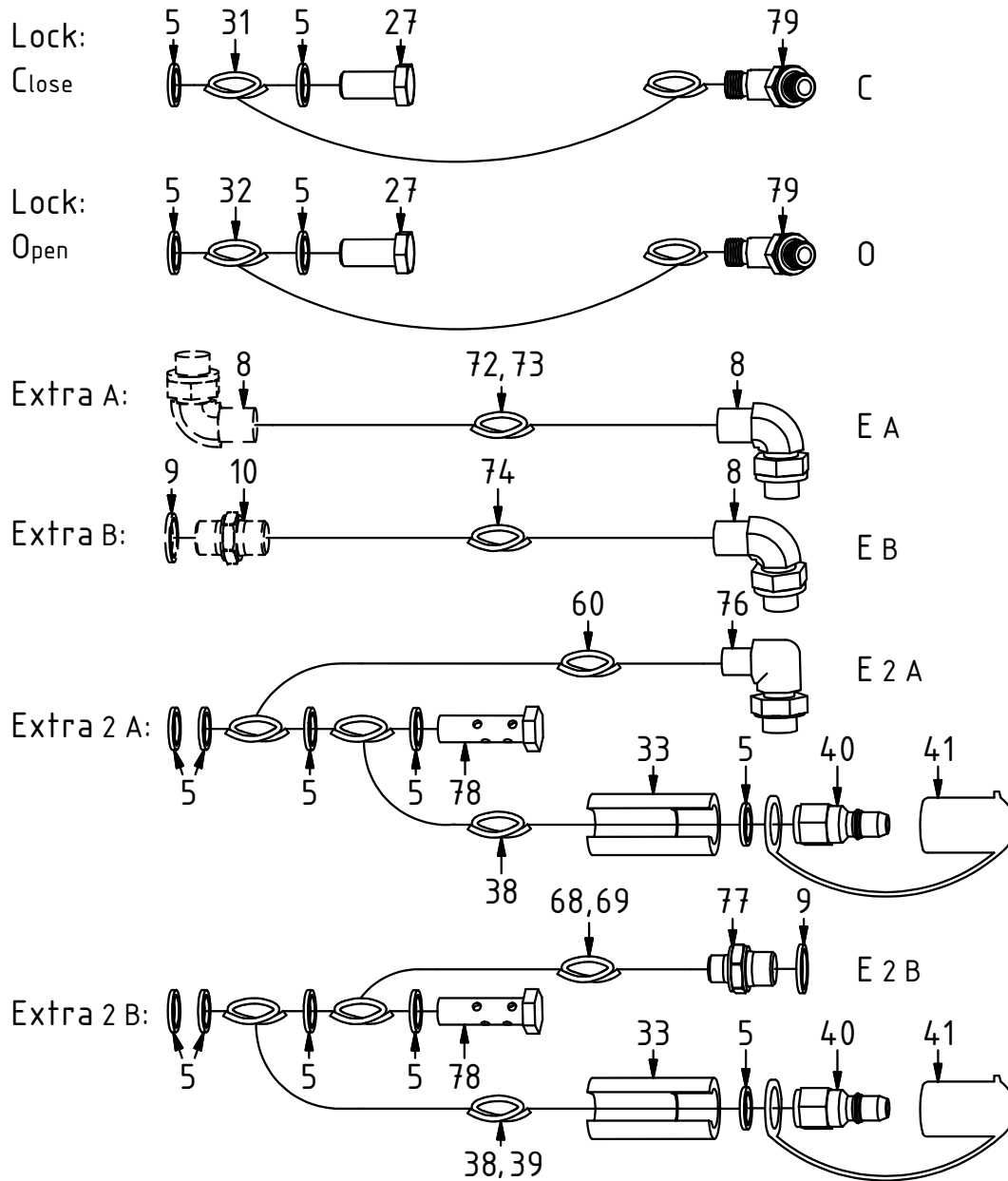
See instruction,  
Standard components



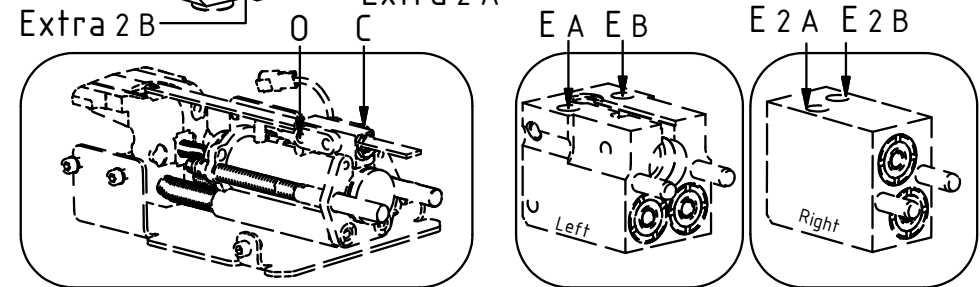
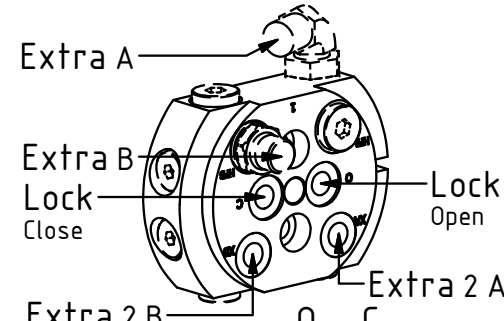
See instruction,  
EC-Oil components

# EC209 - QSD45/QSD50

EC-Oil Dbl.Extra with Grab option:



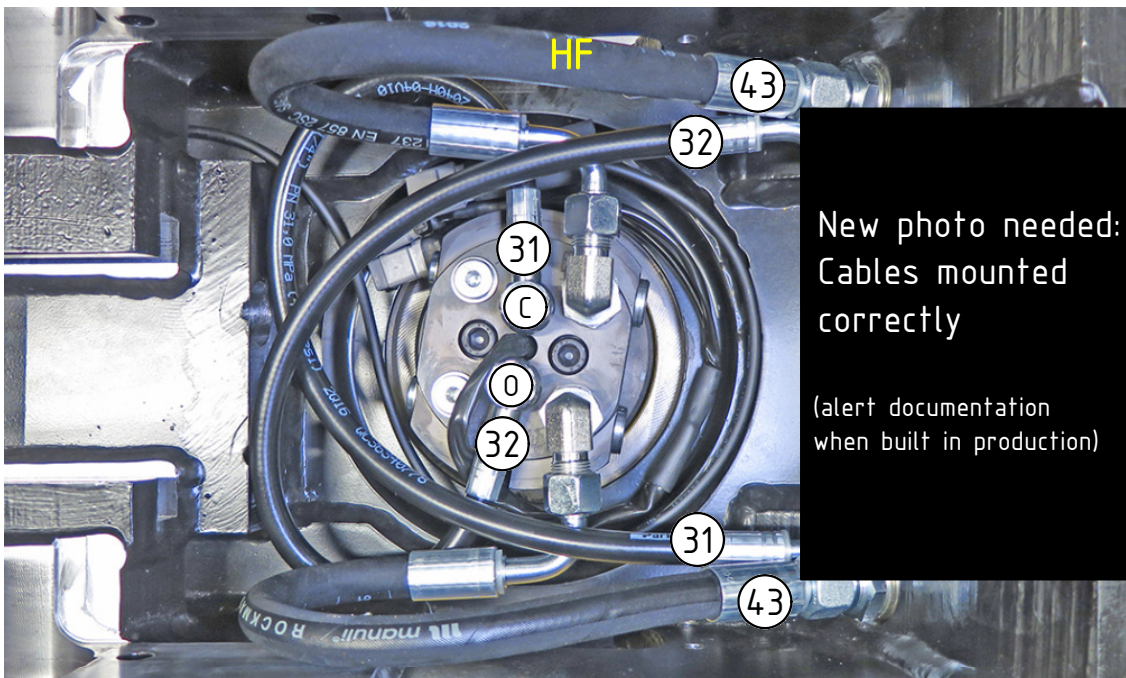
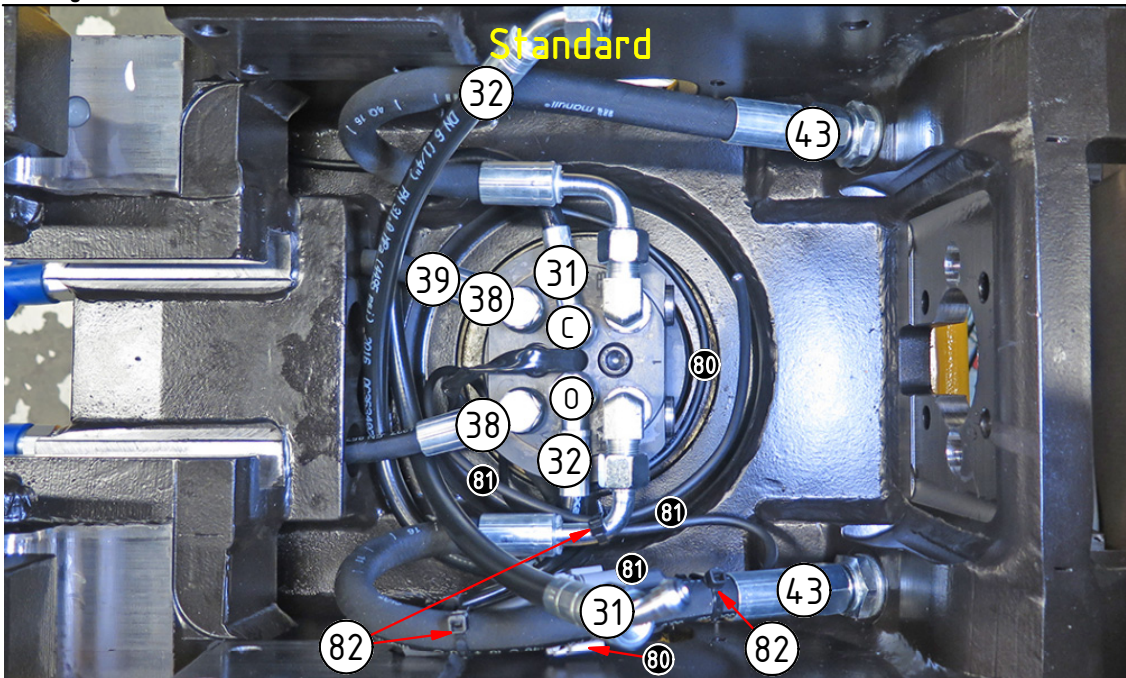
POS	DESCRIPTION	PART	QTY	COMMENTS
5	Sealing washer 1/4"	710702	12	QTY depends on config (6-14)
8	Adapter 401-06-06 90° (3/8")	710152	2	QTY depends on config (1-3)
9	Sealing washer 3/8"	710703	2	QTY depends on config (1-13)
10	Adapter 136-06-06 (3/8")	710106	1	
27	Banjobolt 1/4"	710271	4	QTY depends on config (2-4)
30	Hose kit - Lock	7000542	1	POS.30, 31 included
31	Hose Lock Long	7000434	1	
32	Hose Lock Short	7000433	1	
33	Hose holder QSD45/50	1038800	2	
38	Hose GRD Short	7000435	2	QTY: 1 for QSD50
39	Hose GRD Long	7000449	1	For QSD50
40	Quick Coupler 1/4"	790111	2	
41	Dust protection 1/4"	790119	2	
60	Hose Extra 2 QSD-Q EC-Oil Short	7000445	2	QTY: 1 for QSD50 & EC-Oil Dbl.Extra
68	Hose Extra 2 EC-Oil Short	7000448	2	QTY: 1 for QSD50 & QSD45 EC-Oil Dbl.Extra
69	Hose Extra 2 EC-Oil Long	7000450	1	For QSD50
72	Hose Extra A/B EC-Oil	740197	1	For QSD45
73	Hose Extra A EC-Oil Short	7000463	1	For QSD50
74	Hose Extra B EC-Oil	7000447	1	
76	Adapter 401-04-06 90° (1/4"-3/8")	710154	2	QTY depends on config (1-2)
77	Adapter 135-04-06 (1/4"-3/8")	710118	1	
78	Banjobolt extended 1/4"	712214	2	
79	Adapter 402-04-04 45° (1/4")	7000104	2	



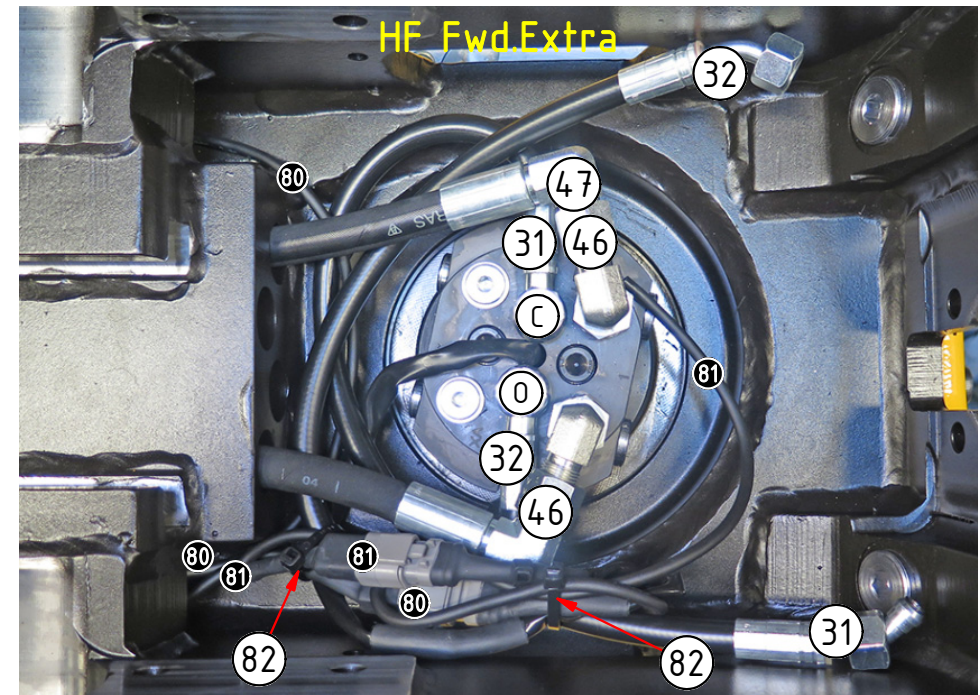
See instruction,  
Standard components

See instruction,  
EC-Oil components

# EC209 - QSD45/QSD50

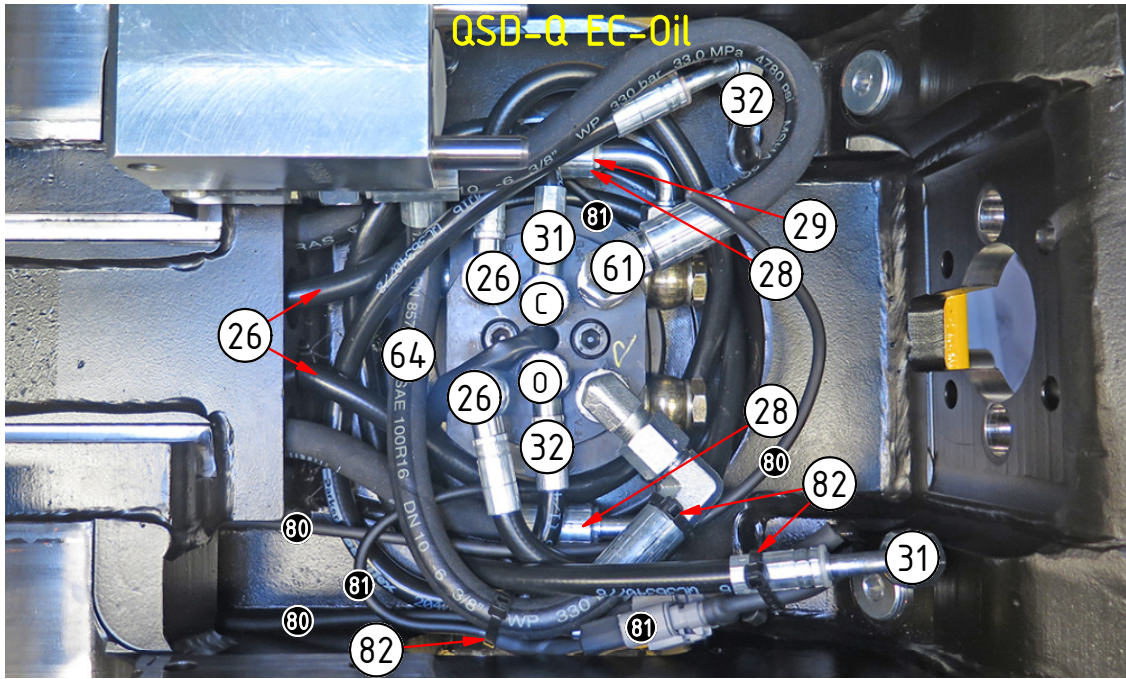


POS	DESCRIPTION	PART	QTY	COMMENTS
30	Hose kit - Lock	7000542	1	POS.30, 31 included
31	Hose Lock Long	7000434	1	
32	Hose Lock Short	7000433	1	
34	Hose kit - Std QSD45	7000543	1	POS.37, 42 included
35	Hose kit - Std QSD50	7000544	1	POS.37, 38, 42 included
38	Hose GRD Short	7000435	2	QTY: 1 for QSD50
39	Hose GRD Long	7000449	1	For QSD50
42	Hose kit - HF	7000545	1	POS.42 included
43	Hose Extra A/B	7000436	2	
44	Hose kit - HF Fwd.Extra QSD45	7000546	1	POS.45 included
45	Hose kit - HF Fwd.Extra QSD50	7000547	1	POS.45, 46 included
46	Hose Fwd.Extra Short	7000540	2	For HF Fwd.Extra QTY: 1 for QSD50
47	Hose Fwd.Extra Long	7000541	1	For QSD50
80	Cable from hook sensor			Part of Standard components
81	Cable from ejector sensor			Part of Standard components
82	Cable tie 4,8x360	1021586	2-3	

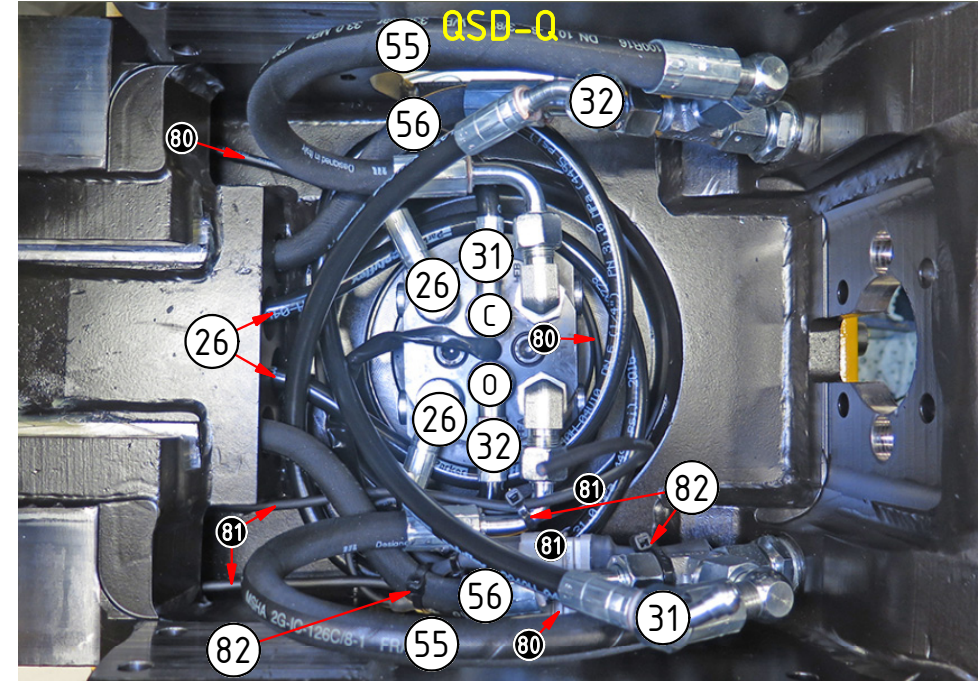
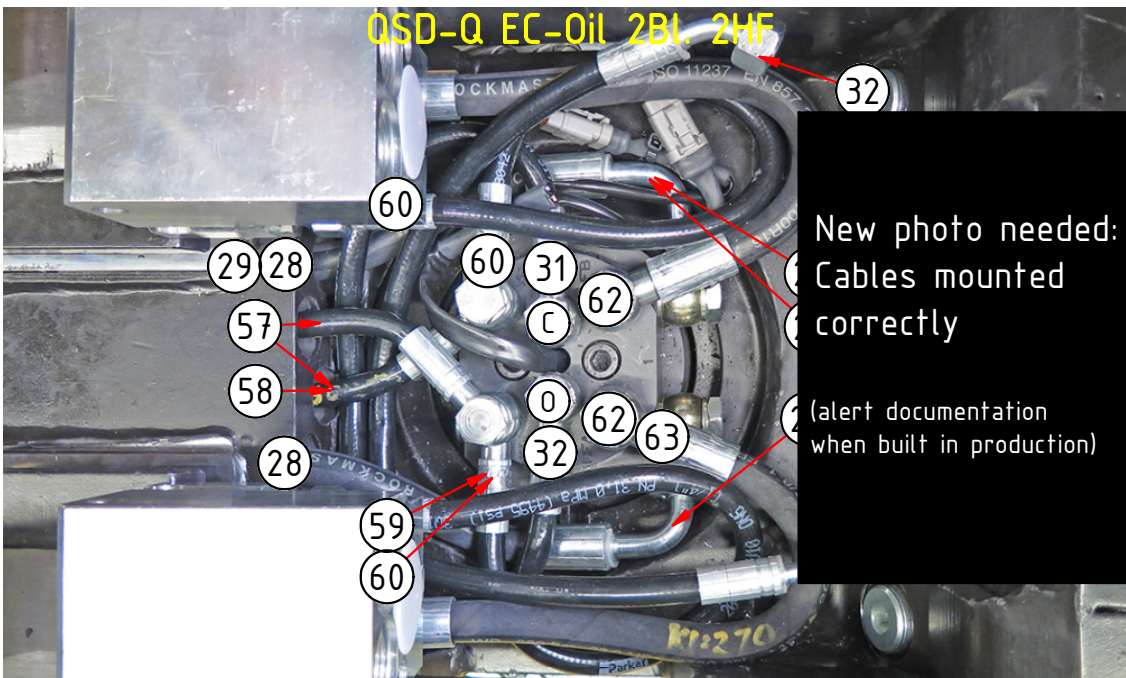




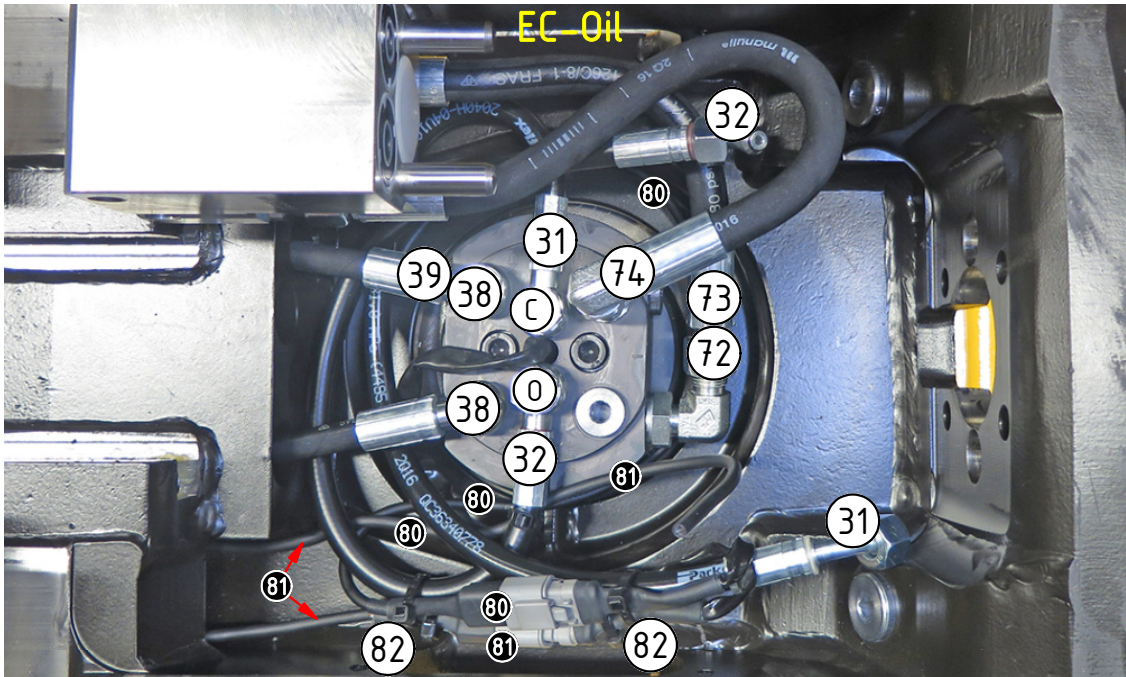
# EC209 - QSD45/QSD50



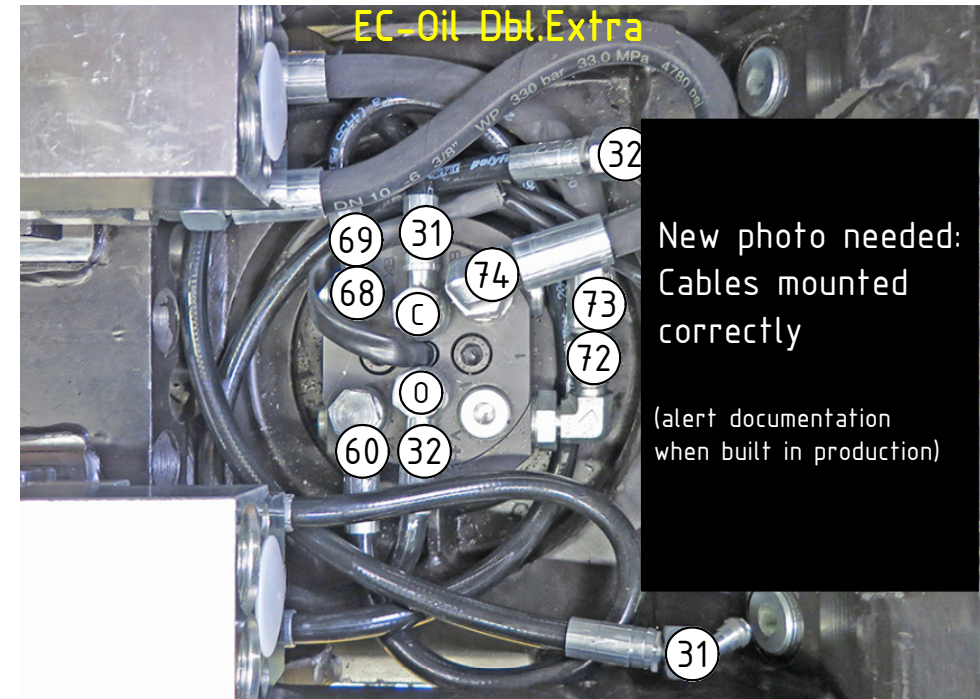
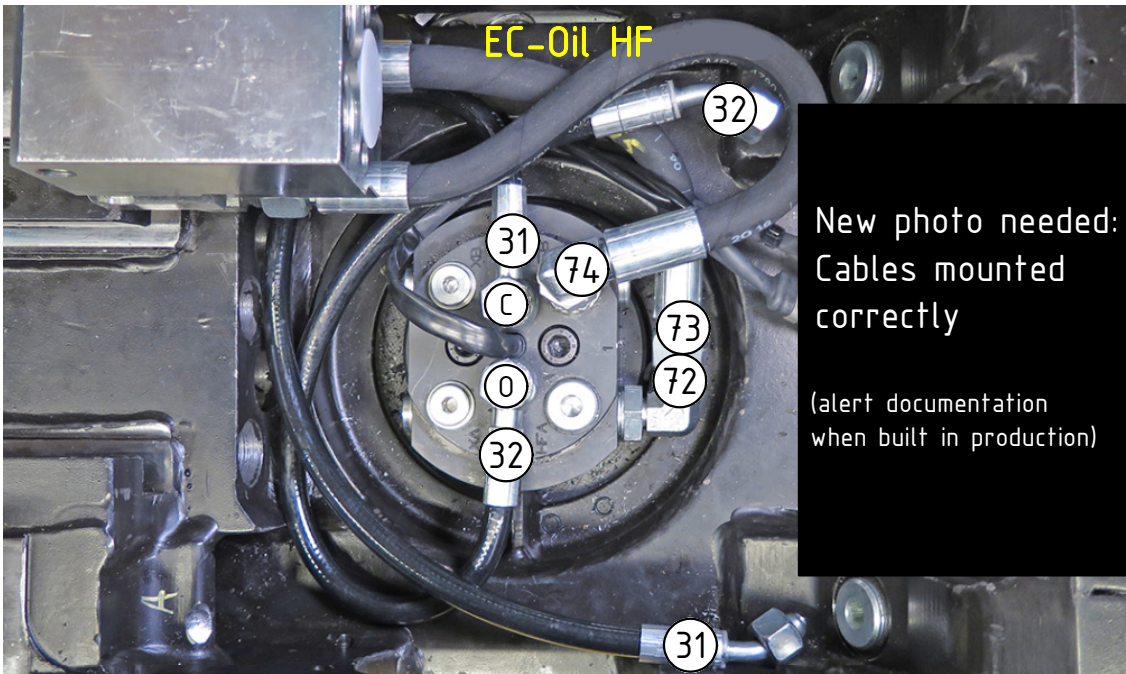
POS	DESCRIPTION	PART	QTY	COMMENTS
23	Hose kit - QSD-Q	7000548	1	POS.25, 54, 55 included
24	Hose kit - QSD-Q EC-Oil QSD45	7000549	1	POS.25, 27, 60, 63 included
25	Hose kit - QSD-Q EC-Oil QSD50	7000550	1	POS.25, 27, 28, 60, 63 included
26	Hose GRD QSD-Q	7000437	2	
28	Hose SWD QSD-Q EC-Oil Short	7000440	2	QTY: 1 for QSD50
29	Hose SWD QSD-Q EC-Oil Long	7000459	1	For QSD50
30	Hose kit - Lock	7000542	1	POS.30, 31 included
31	Hose Lock Long	7000434	1	
32	Hose Lock Short	7000433	1	
55	Hose Extra A/B QSD-Q	7000441	2	
56	Hose SWD QSD-Q	7000442	2	
57	Hose GRD QSD-Q EC-Oil Short	7000443	2	QTY: 1 for QSD50
58	Hose GRD QSD-Q EC-Oil Long	7000460	1	For QSD50
59	Hose Extra 2 QSD-Q EC-Oil Long	7000462	1	For QSD50
60	Hose Extra 2 QSD-Q EC-Oil Short	7000445	2	QTY: 1 for QSD50 & EC-Oil Dbl.Extra
61	Hose Extra B QSD-Q EC-Oil	7000438	1	
62	Hose Extra A/B QSD-Q EC-Oil	7000444	1	
63	Hose Extra A QSD-Q EC-Oil Long	7000461	1	
64	Hose Extra A QSD-Q EC-Oil Short	7000439	1	
80	Cable from hook sensor			Part of Standard components
81	Cable from ejector sensor			Part of Standard components
82	Cable tie 4,8x360	1021586	2-3	



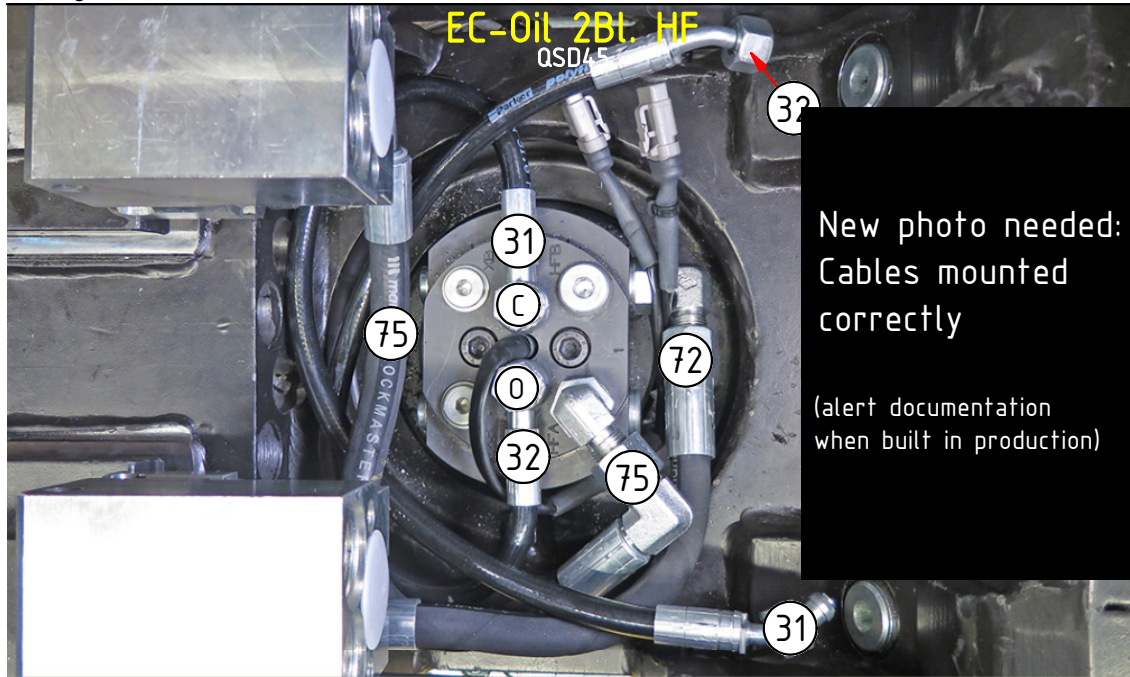
# EC209 - QSD45/QSD50



POS	DESCRIPTION	PART	QTY	COMMENTS
30	Hose kit - Lock	7000542	1	POS.30, 31 included
31	Hose Lock Long	7000434	1	
32	Hose Lock Short	7000433	1	
36	Hose kit - EC-Oil QSD45	7000555	1	POS.37, 71, 73 included
37	Hose kit - EC-Oil QSD50	7000556	1	POS.37, 38, 72, 73 included
38	Hose GRD Short	7000435	2	QTY: 1 for QSD50
39	Hose GRD Long	7000449	1	For QSD50
53	Hose kit - EC-Oil Dbl.Extra QSD45	7000551	1	POS.59, 67, 71, 73 included
54	Hose kit - EC-Oil Dbl.Extra QSD50	7000552	1	POS.59, 68, 72, 73 included
60	Hose Extra 2 QSD-Q EC-Oil Short	7000445	2	QTY: 1 for QSD50 & EC-Oil Dbl.Extra
68	Hose Extra 2 EC-Oil Short	7000448	2	QTY: 1 for QSD50 & QSD45 EC-Oil Dbl.Extra
69	Hose Extra 2 EC-Oil Long	7000450	1	For QSD50
70	Hose kit - EC-Oil HF QSD45	7000553	1	POS.71, 73 included
71	Hose kit - EC-Oil HF QSD50	7000554	1	POS.72, 73 included
72	Hose Extra A/B EC-Oil	740197	1	For QSD45
73	Hose Extra A EC-Oil Short	7000463	1	For QSD50
74	Hose Extra B EC-Oil	7000447	1	
80	Cable from hook sensor			Part of Standard components
81	Cable from ejector sensor			Part of Standard components
82	Cable tie 4,8x360	1021586	2-3	



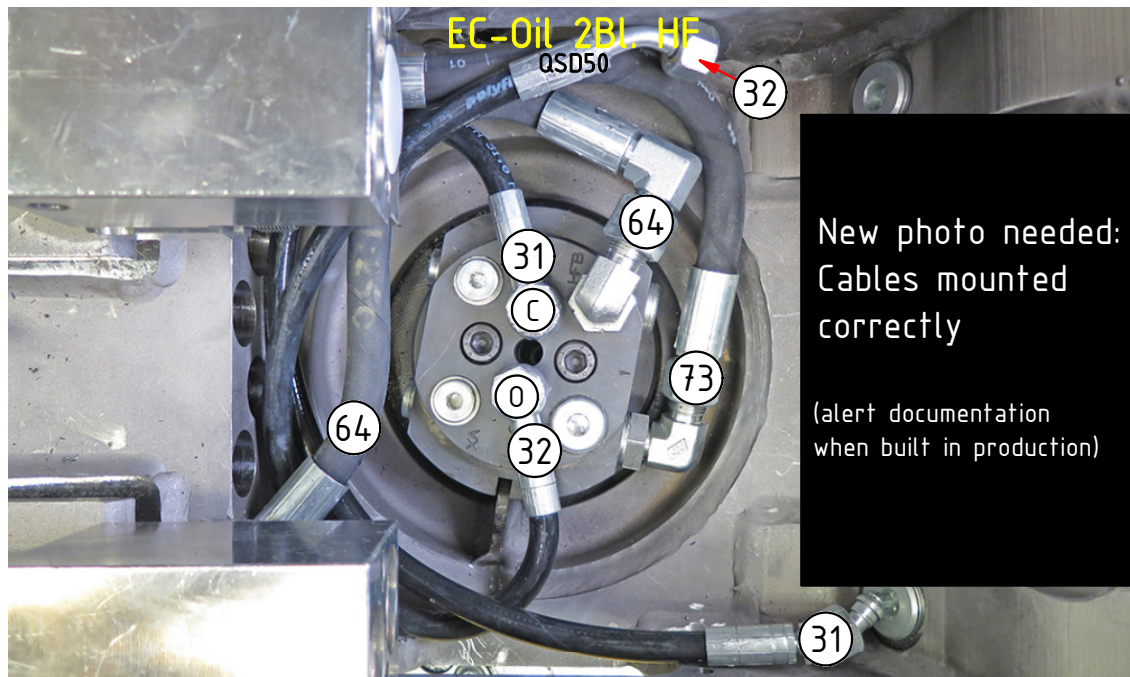
# EC209 - QSD45/QSD50



New photo needed:  
Cables mounted  
correctly

(alert documentation  
when built in production)

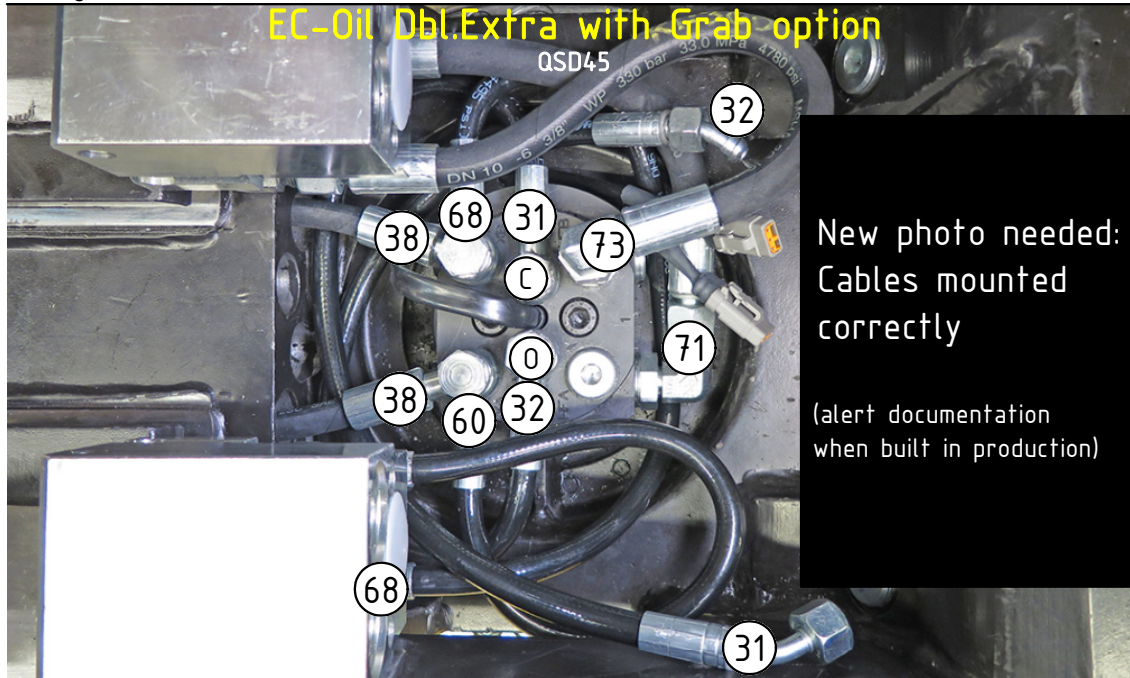
POS	DESCRIPTION	PART	QTY	COMMENTS
30	Hose kit - Lock	7000542	1	POS.30, 31 included
31	Hose Lock Long	7000434	1	
32	Hose Lock Short	7000433	1	
64	Hose Extra A QSD-Q EC-Oil Short	7000439	1	
72	Hose Extra A/B EC-Oil	740197	1	For QSD45
73	Hose Extra A EC-Oil Short	7000463	1	For QSD50
75	Hose Extra A EC-Oil Long	7000446	2	QTY: 1 for QSD50 & EC-Oil 2Bl. HF
80	Cable from hook sensor			Part of Standard components
81	Cable from ejector sensor			Part of Standard components
82	Cable tie 4,8x360	1021586	2-3	



New photo needed:  
Cables mounted  
correctly

(alert documentation  
when built in production)

# EC209 - QSD45/QSD50



POS	DESCRIPTION	PART	QTY	COMMENTS
30	Hose kit - Lock	7000542	1	POS.30, 31 included
31	Hose Lock Long	7000434	1	
32	Hose Lock Short	7000433	1	
38	Hose GRD Short	7000435	2	QTY: 1 for QSD50
39	Hose GRD Long	7000449	1	For QSD50
60	Hose Extra 2 QSD-Q EC-Oil Short	7000445	2	QTY: 1 for QSD50 & EC-Oil Dbl.Extra
68	Hose Extra 2 EC-Oil Short	7000448	2	QTY: 1 for QSD50 & QSD45 EC-Oil Dbl.Extra
69	Hose Extra 2 EC-Oil Long	7000450	1	For QSD50
72	Hose Extra A/B EC-Oil	740197	1	For QSD45
73	Hose Extra A EC-Oil Short	7000463	1	For QSD50
74	Hose Extra B EC-Oil	7000447	1	
80	Cable from hook sensor			Part of Standard components
81	Cable from ejector sensor			Part of Standard components
82	Cable tie 4,8x360	1021586	2-3	

