

COVERSHEET

Planned document changes:

Briefly:

No planned changes.

Document changes:

Date:	Change:	Rev. after change:
2024-09-16	Serial no location updated.	K
2023-07-04	Spare parts added.	J
2021-06-01	Missing glue info added.	I
2020-11-09	Hoses corrected.	H
2020-10-28	Grab frame, Q-block, carriers, updated to V2.	G
2019-11-05	SYNC added. Grab hoses replaced.	F
2019-04-25	GRD10 attachment replaced by lock pin.	E
2018-12-18	GRD10Q shoulder bolt against block corrected.	D
2018-09-24	Torque for ECO couplings added.	C
2017-11-21	Eccenter function updated.	B
2017-06-14	New shim for grab axle added. New location for serial number. Coversheet added.	A

Readers note:

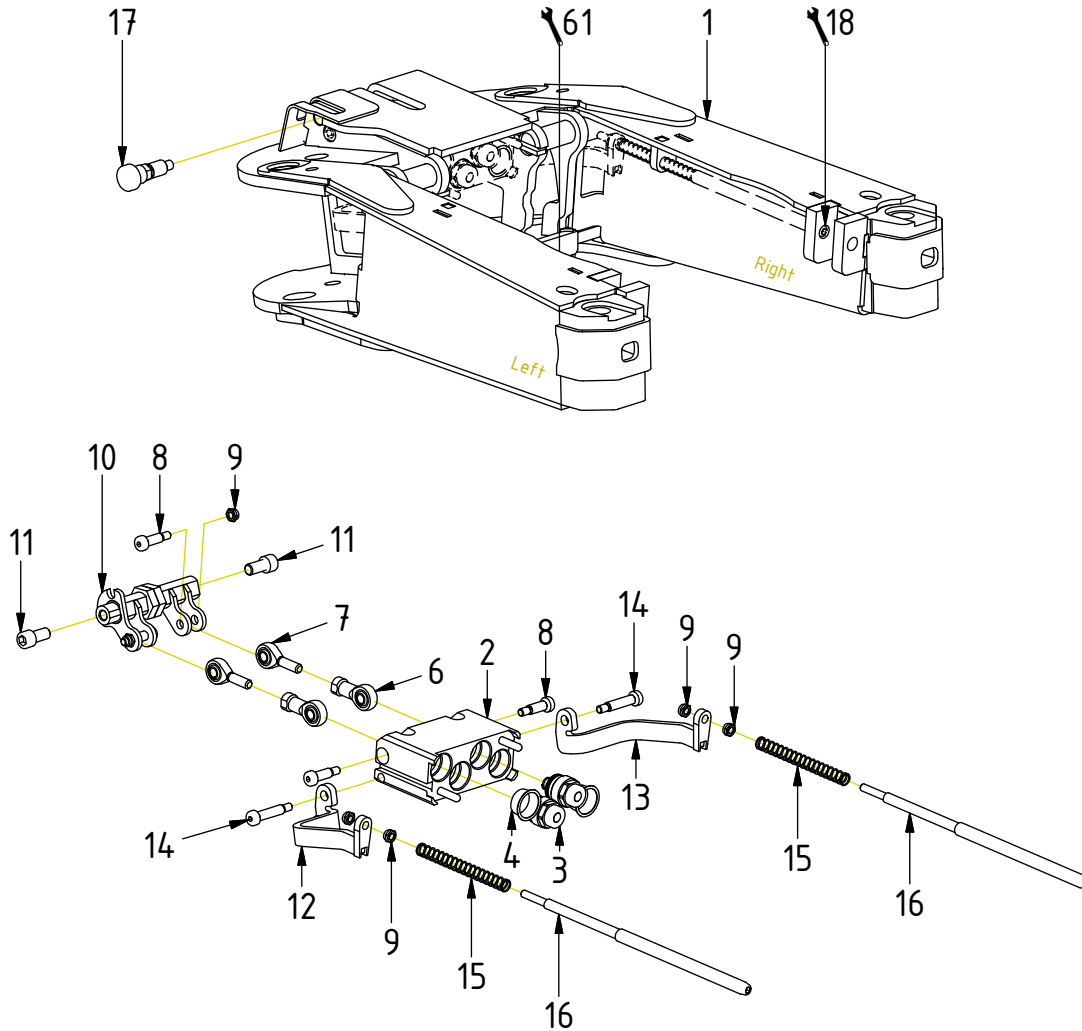
Indicates instruction.



Represents Hose.

Dashed lines for overview, mounts on other pages/assemblies.

GRD-Q



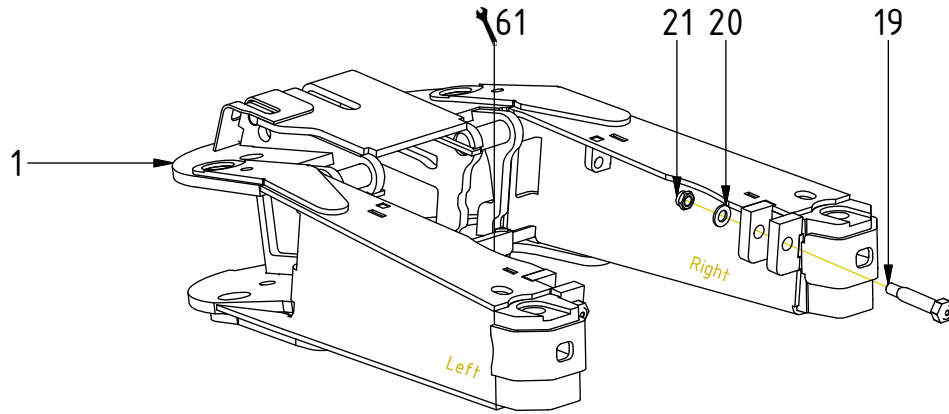
POS	DESCRIPTION	PART	QTY	COMMENTS
1	Grab frame GRD45/50 V2	1064985	1	
2	Q-Block GRD45/50 V2	1054459	1	
3	Coupling ECO45/50 3/8" male V2	1028873	2	Torque: 60Nm
4	Protection plug TECO45	7000152	2	
6	Linkhead female	1033284	2	
7	Linkhead male	1033283	2	Unscrew 4,5 turns from bottomed
8	Shoulder bolt 10x25 / M8	611703	4	Loxeal 83-52 against POS.2
9	Lock Nut M6M M8x1,25 8,8 FZB	610922	6	
10	Eccenter GRD45/50	1038388	1	
11	Screw MC6S M12x25 12.9 ZFSHL	6000164	4	Loxeal 83-52
12	Carrier Left V2	1055465	1	
13	Carrier Right V2	1055467	1	
14	Shoulder bolt 10x40 / M8	6000085	2	Loxeal 83-52
15	Spring	1038762	2	
16	Lock pin GRD45/50	1036454	2	
17	Setting bolt M16x1,5	6000061	1	
18	With Q-block retracted, lockpin must align with surface			
61	Punch serial no into frame			

POS in order of assembly

GRD

POS	DESCRIPTION	PART	QTY	COMMENTS
1	Grab frame GRD45/50 V2	1064985	1	
19	Lock pin GRD10	1050736	2	
20	Washer BRB 13x24x2,5 200 HV FZB	611007	2	
21	Lock Nut M6M M12x1,75 8,8 FZB	610924	2	
61	Punch serial no info frame			

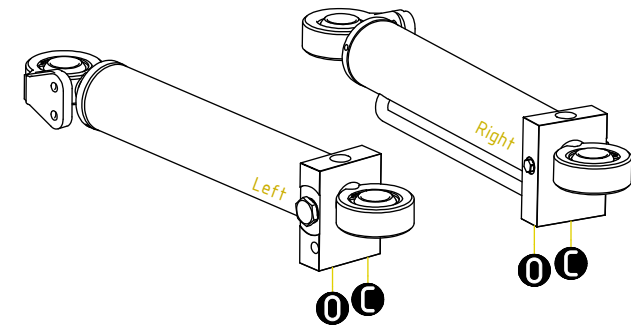
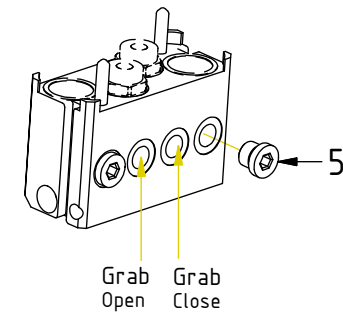
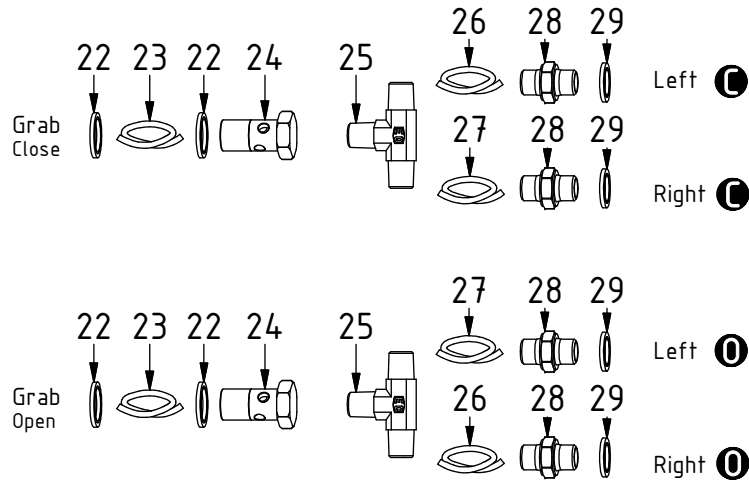
POS in order of assembly



GRD-Q

POS	DESCRIPTION	PART	QTY	COMMENTS
5	Plug 70125-06 (3/8")	711504	2	
22	Washer GBR06 3/8	710703	4	
23	Hose Grab Feed GRD-Q	7001052	2	
24	Banjo bolt 4451-06 (3/8")	710272	2	
25	Adapter 851-04-04	7000883	2	
26	Hose Grab Long	7001049	2	
27	Hose Grab Short	7001050	2	
28	Adapter 138-04-29 (1/4")	710135	4	
29	Washer GBR04 1/4	710702	6	QTY: 4 gor GRD-Q

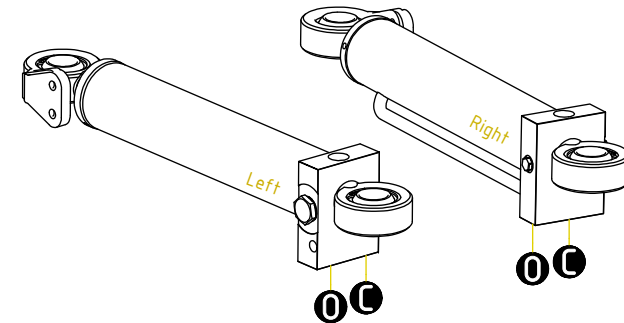
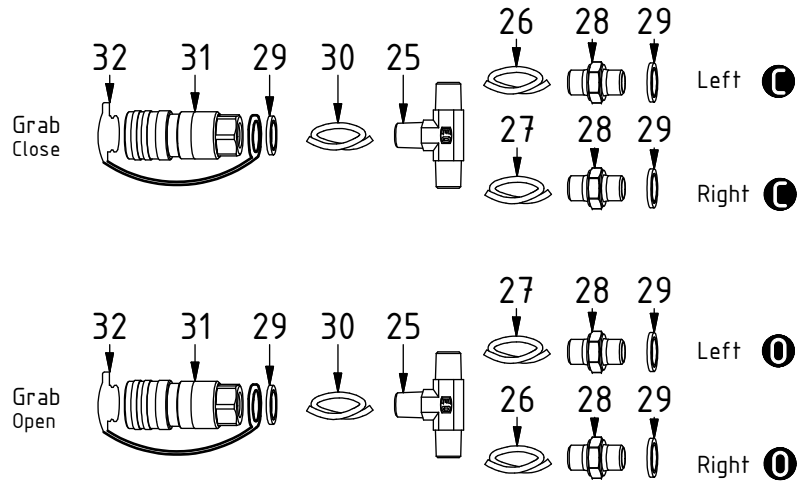
POS in order of assembly

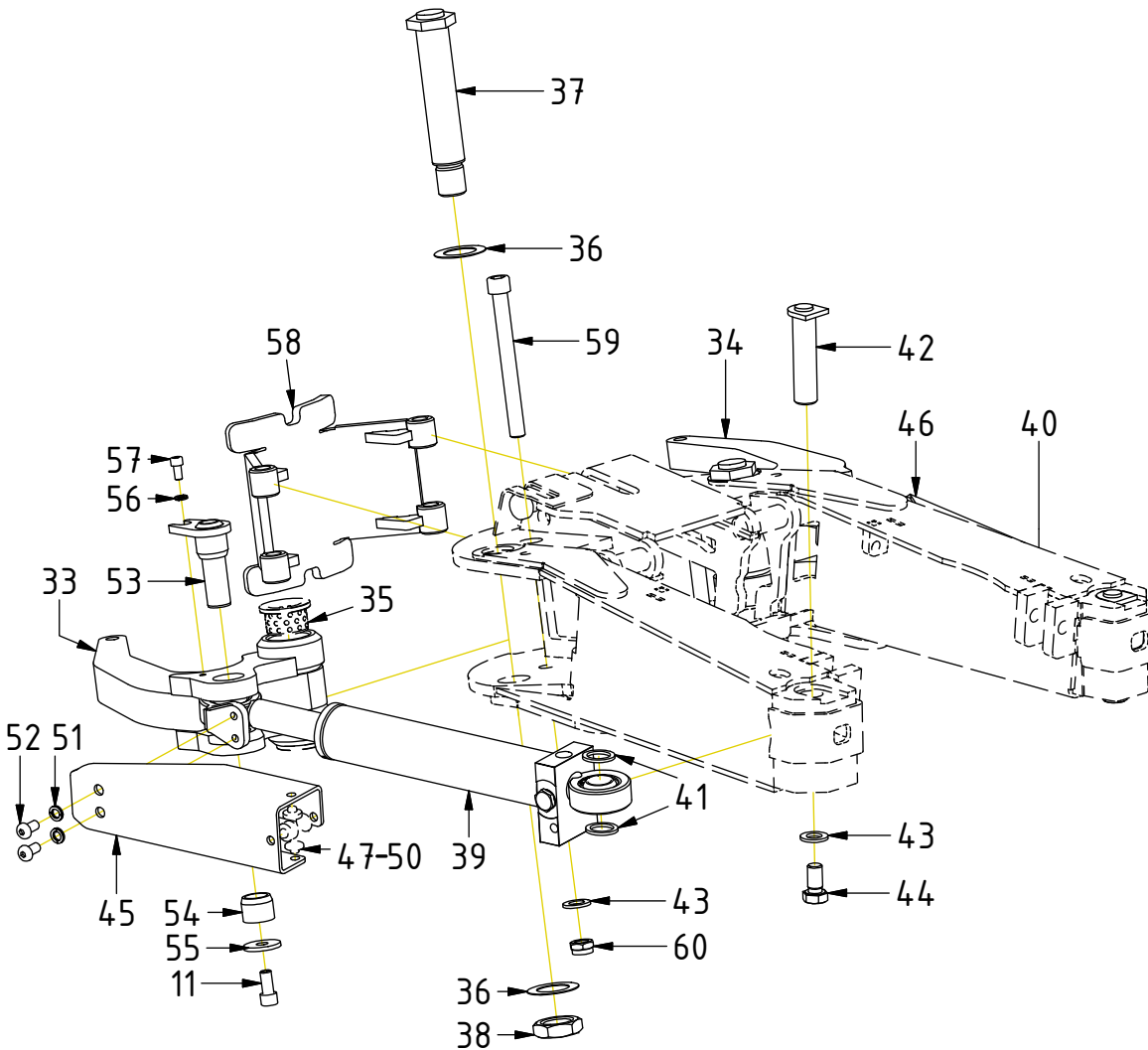


GRD

POS	DESCRIPTION	PART	QTY	COMMENTS
25	Adapter 851-04-04	7000883	2	
26	Hose Grab Long	7001049	2	
27	Hose Grab Short	7001050	2	
28	Adapter 138-04-29 (1/4")	710135	4	
29	Washer GBR04 1/4	710702	6	QTY: 4 gor GRD-Q
30	Hose Grab Feed GRD	743003	2	
31	Quick coupler 1/4" Female	790110	2	
32	Dust protection 1/4" Female	790116	2	

POS in order of assembly

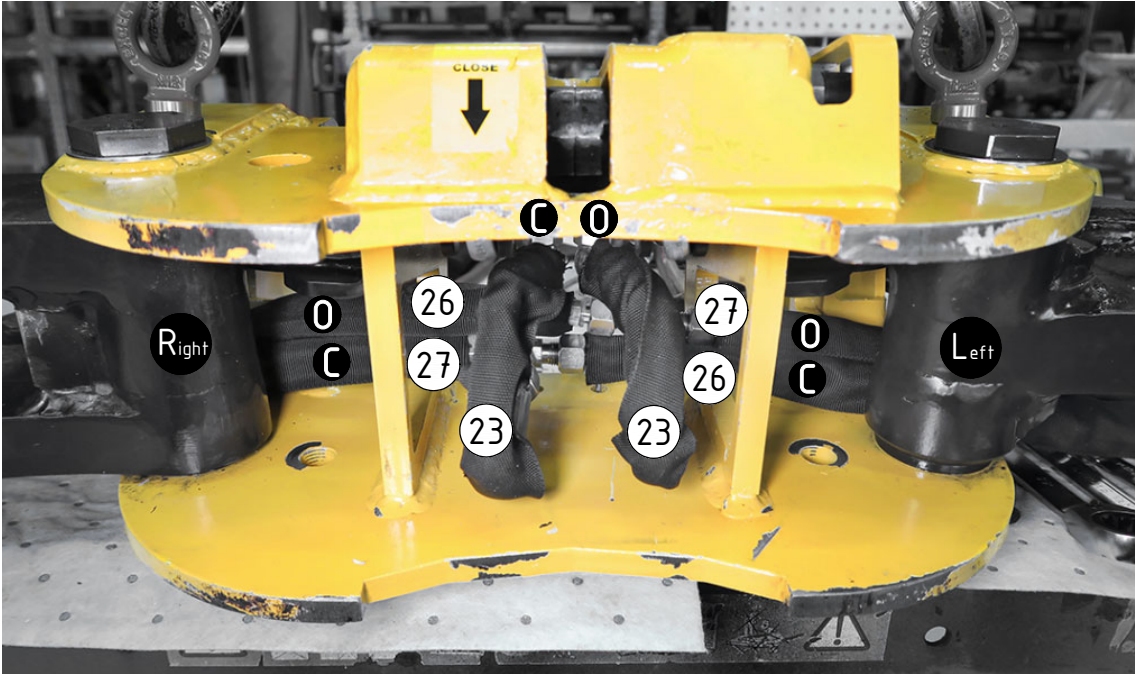




POS	DESCRIPTION	PART	QTY	COMMENTS
11	Screw MC6S M12x25 12.9 ZFSL	6000164	4	Loxeal 83-52
33	Grab arm GRD20 (single)	1038210	1	(POS.35 incl.)
34	Grab arm GRD20 (double)	1038213	1	(POS.35 incl.)
35	Bushing	631003	1	
36	Shim GRD10 56x35,5x1	1042068	4	Also used between grab arm and grab frame if required
37	Axle grab arm	1036723	2	Torque: 649Nm
38	Hex. Nut M30x2	6000059	2	Loxeal 83-52. Torque: 649Nm
39	Grab cylinder Left	1036481	1	
40	Grab cylinder Right	1036480	1	
41	Spacer D=35 d=25,5 t=3	1036418	4	
42	Axle cylinder	1036402	2	
43	Washer BRB 17x30x3	611009	4	
44	Screw M6S M16x30 8,8 FZB	610210	2	Loxeal 83-52
45	Cylinder cover Compl. Left for GRD	1022974K	1	(POS.47-50 incl.)
46	Cylinder cover Compl. Right for GRD	1022975K	1	(POS.47-50 incl.)
47	Plastic spacer 1,2mm	400635	2	
48	Plastic spacer 3mm	402215	2	
49	Plastic spacer 5mm	400636	2	
50	Plastic spacer 10mm	400637	2	
51	Washer NL 10mm	611041	4	
52	Screw K6S M10x20 10.9 FZB	611812	4	
53	Axle grab arm/cylinder	1034640	2	
54	Sleeve axle	1034641	2	
55	Washer BRB 13x40x4	6000056	2	
56	Washer NL 8mm	611040	2	
57	Screw MC6S M8x16 12.9 ZFSL	610432	2	
58	Grab support GRD45/50 (GRD10)	1038716	1	
59	Screw MC6S M16x160 12.9 ZFSL	6000166	2	
60	Lock Nut M6M M16x2 8,8 FZB	610926	2	

POS in order of assembly

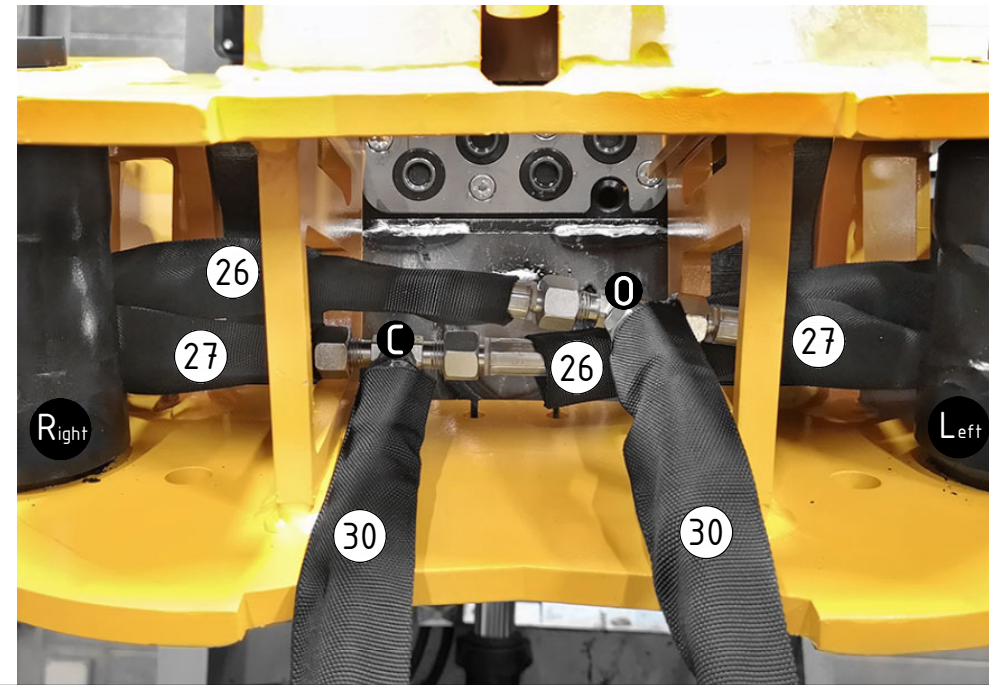
GRD-Q



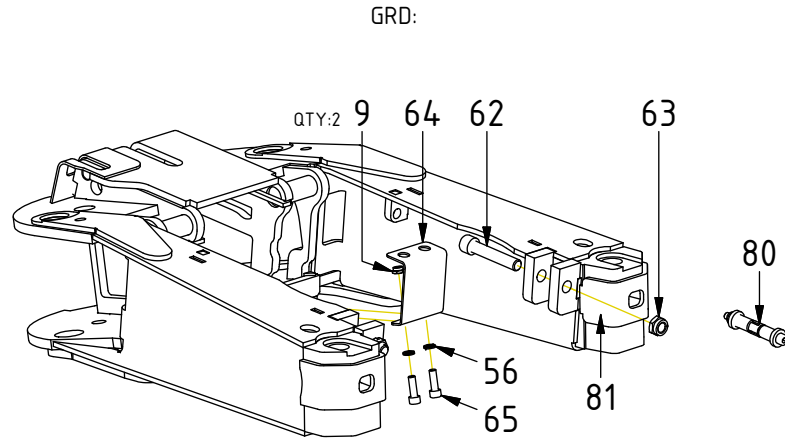
POS	DESCRIPTION	PART	QTY	COMMENTS
23	Hose Grab Feed GRD-Q	7001052	2	
26	Hose Grab Long	7001049	2	
27	Hose Grab Short	7001050	2	
30	Hose Grab Feed GRD	743003	2	



GRD

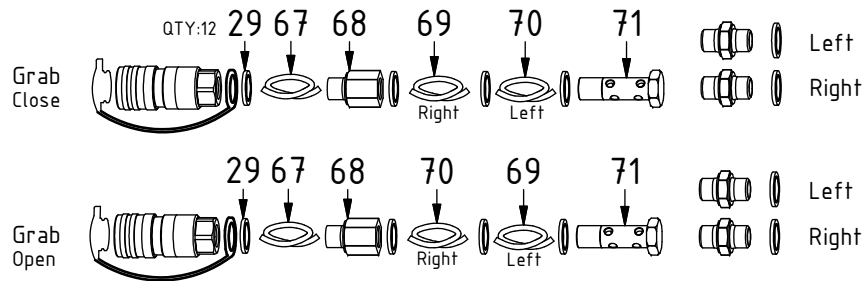


SPARE PARTS

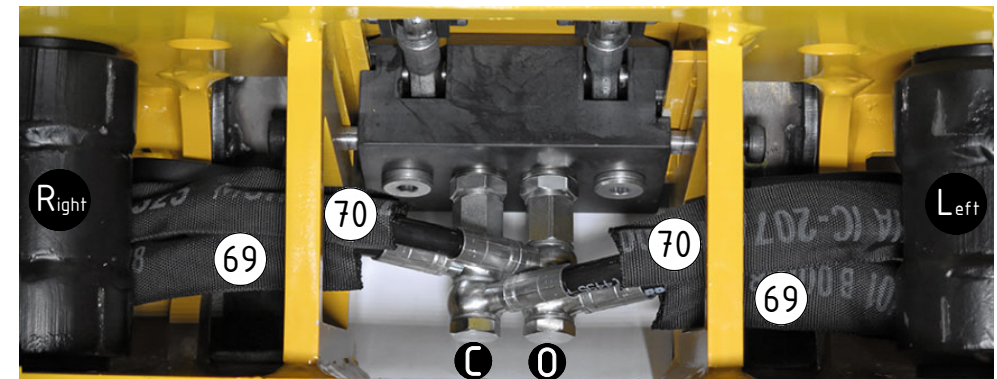
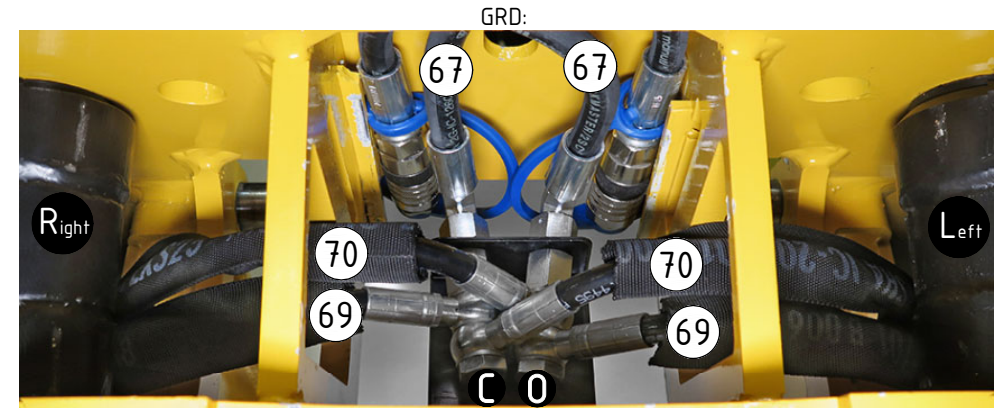
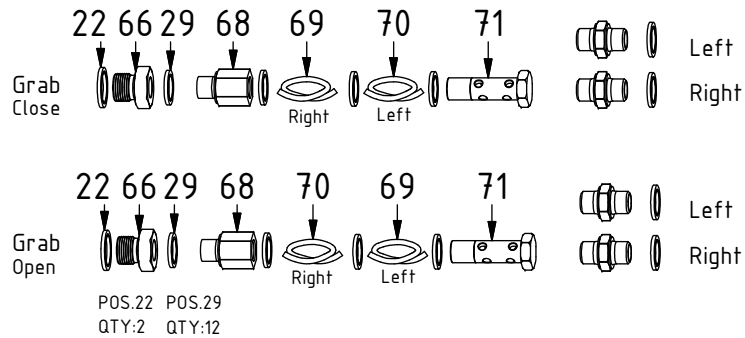


POS	DESCRIPTION	PART	QTY	COMMENTS
9	Lock Nut M6M M8x1,25 8,8 FZB	610922	6	
19	Lock pin GRD10	1050736	2	
20	Washer BRB 13x24x2,5 200 HV FZB	611007	2	
21	Lock Nut M6M M12x1,75 8,8 FZB	610924	2	
22	Washer GBR06 3/8	710703	4	
29	Washer GBR04 1/4	710702	6	QTY: 4 gor GRD-Q
56	Washer NL 8mm	611040	2	
62	Screw MC6S M14x75 12.9 ZFSHL	6000163	2	Replaced by POS.19-21 2019-04
63	Lock Nut M6M M14x2 8,8 FZB	610925	2	Replaced by POS.19-21 2019-04
64	Hose holder GRD20	1037775	1	Used until 2019-10
65	Screw MC6S M8x25 12.9 ZFSHL	6000143	2	Used until 2019-10
66	Adapter 3/8" - 1/4"	710235	2	Used until 2019-10
67	Hose Feed	7000181	2	Used until 2019-10
68	Adapter 236-04-04	1013885	2	Used until 2019-10
69	Hose Grab Short	7000431	2	Used until 2019-10
70	Hose Grab Long	7000432	2	Used until 2019-10
71	Banjo bolt extended 4450-04 (1/4")	712214	1	Used until 2019-10
81	Old serial number location			

POS in order of assembly

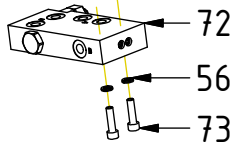


GRD-Q:

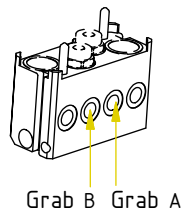
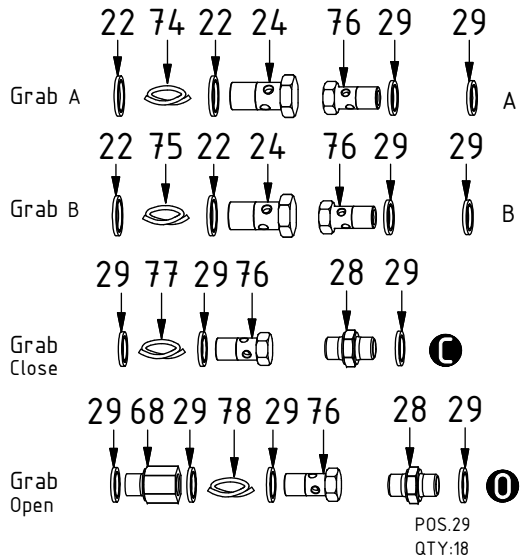


SPARE PARTS

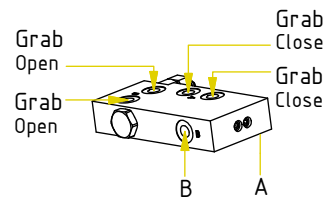
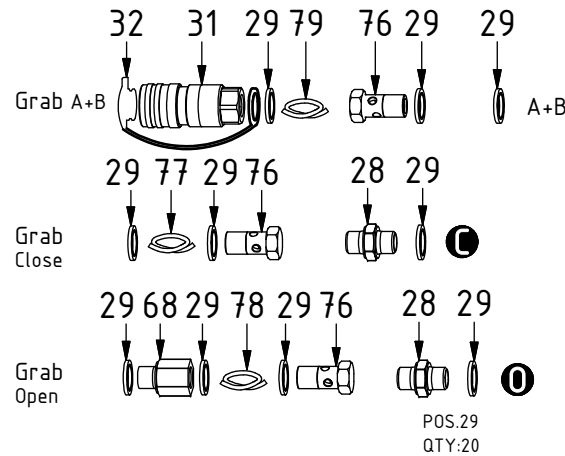
SYNC



SYNC GRD-Q:

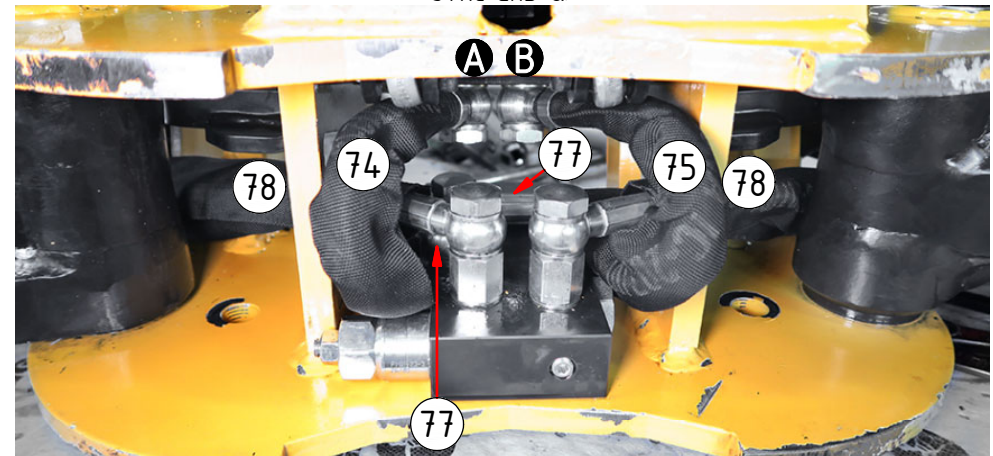


SYNC GRD:

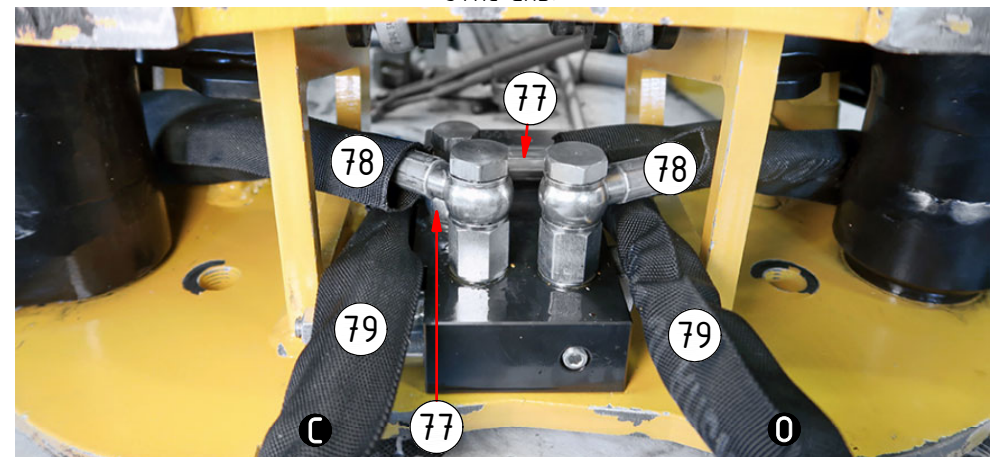


POS	DESCRIPTION	PART	QTY	COMMENTS
22	Washer GBR06 3/8	710703	4	
24	Banjo bolt 4451-06 (3/8")	710272	2	
28	Adapter 138-04-29 (1/4")	710135	4	
29	Washer GBR04 1/4	710702	6	QTY: 4 gor GRD-Q
31	Quick coupler 1/4" Female	790110	2	
32	Dust protection 1/4" Female	790116	2	
56	Washer NL 8mm	611040	2	
72	Flow divider GRD Complete	7000840	1	
73	Screw MC6S M8x30 12.9 ZFSHL	611519	2	
74	Hose Grab Feed (A) GRD-Q SYNC	7001113	1	
75	Hose Grab Feed (B) GRD-Q SYNC	7001114	1	
76	Banjo bolt 4451-04 (1/4")	710271	6	
77	Hose Grab Short - SYNC	7001111	2	
78	Hose Grab Long - SYNC	7001110	2	
79	Hose Grab Feed GRD SYNC	7001112	2	

SYNC GRD-Q:



SYNC GRD:



POS in order of assembly