

# GRD10

## COVERSHEET

### Planned document changes:

**Briefly:**

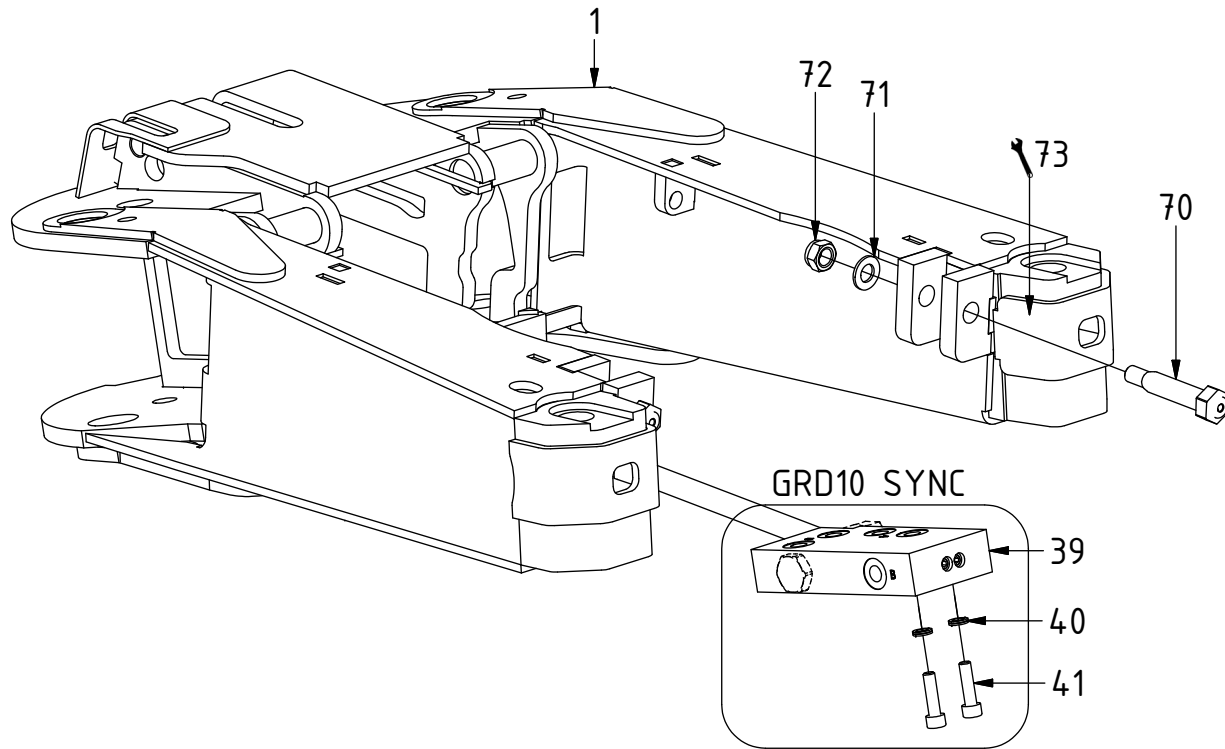
Add service package 1049136.  
Grab frame 1055852 replaced by 1064985.

### Document changes:

<b>Date:</b>	<b>Change:</b>	<b>Rev. after change:</b>
2021-06-01	Missing loctite added.	I
2020-11-09	Hose mixup corrected.	H
2020-10-28	Grab frame, Q-Block and carriers updated to V2.	G
2019-11-05	SYNC added & grabhoses replaced.	F
2019-04-25	GRD10 attachment replaced by lock pin.	E
2018-12-18	GRD10Q shoulder bolt against block corrected.	D
2018-09-24	ECO-couplings torque added.	C
2017-11-21	New instructions for eccentric function.	B
2017-06-14	New shim for grab axle. New location for serial number.	A

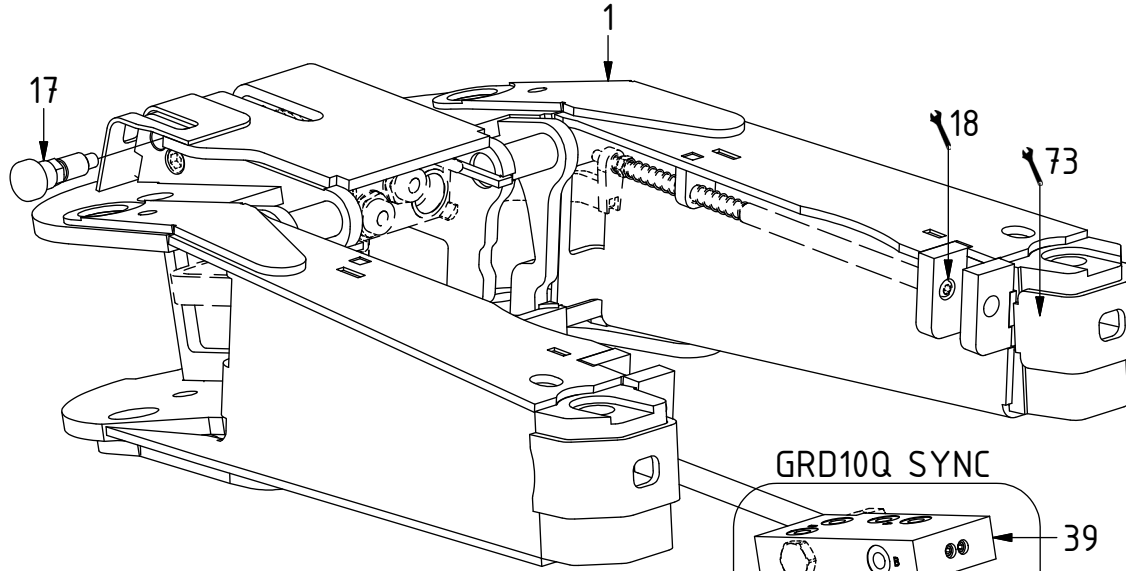
GRD10

POS	DESCRIPTION	PART	QTY	COMMENTS
1	Grab frame GRD10 V2	1055852	1	
39	Flow divider GRD Complete	7000840	1	
40	Washer NL 8mm	611040	2	QTY: 4 for SYNC
41	MC6S M8x30 12.9 Geomet	611519	2	
70	Lock pin GRD10	1050736	2	
71	Flat Washer	611007	2	
72	Lock Nut M6M M12x1,75 8,8 FZB	610924	2	
73	Punch serial number into frame			

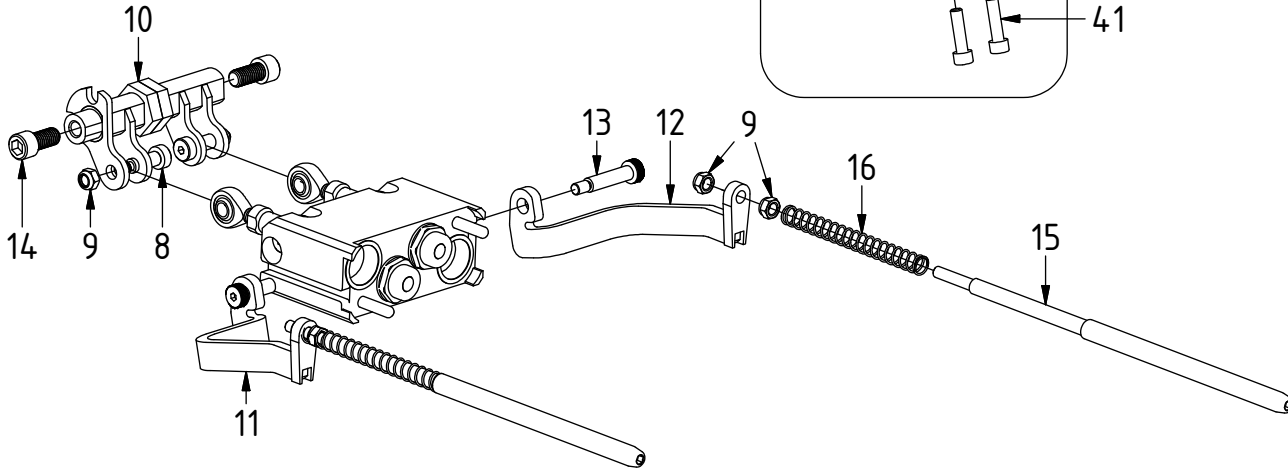
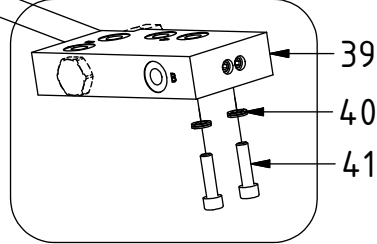


# GRD10

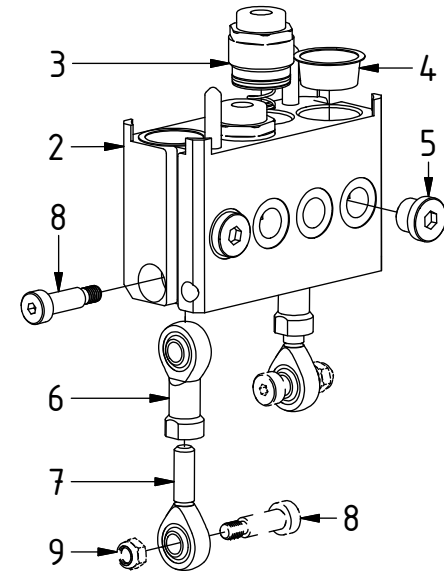
GRD10Q



GRD10Q SYNC



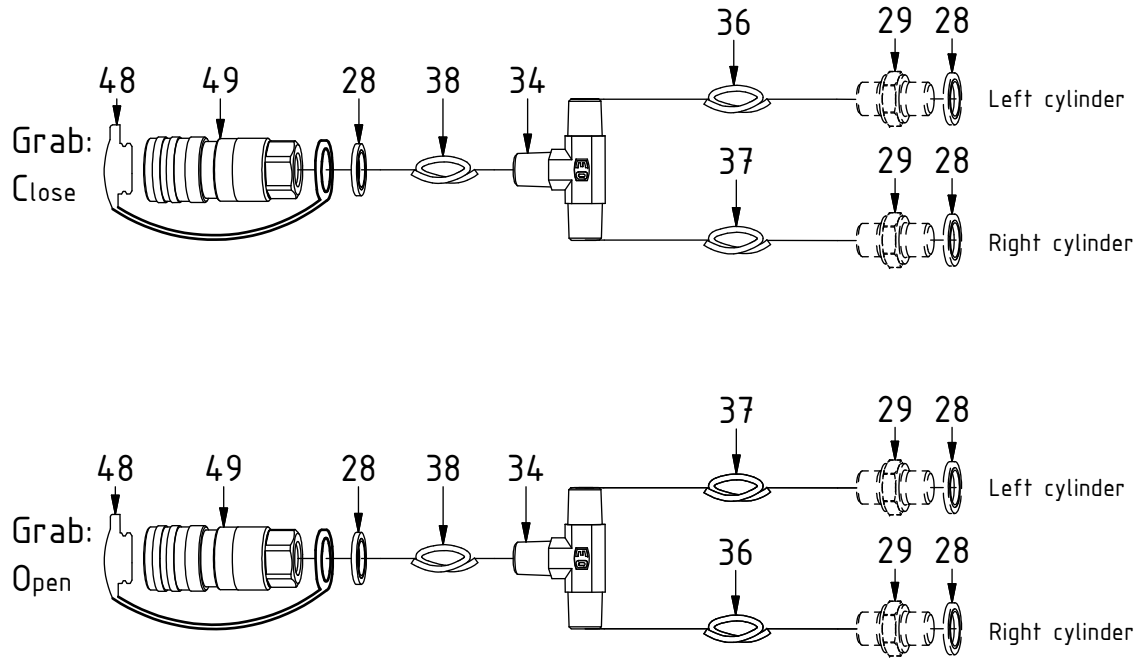
POS	DESCRIPTION	PART	QTY	COMMENTS
1	Grab frame GRD10 V2	1055852	1	
2	Q-Block GRD10 V2	1054459	1	
3	ECO 45 3/8" Male coupling	1028873	2	Torque: 60Nm
4	Protection plug	7000152	2	
5	Plug 3/8"	711504	2	
6	Linkhead female	1033284	2	
7	Linkhead male	1033283	2	Unscrew 6,5 turns from bottomed
8	Shoulder bolt $\varnothing$ 10x25/M8	611703	4	Loctite 2700 against POS.6
9	Nut M8 Lock	610922	6	
10	Eccenter	1038388	1	
11	Carrier Left V2	1055465	1	
12	CarrierRight V2	1055467	1	
13	Shoulder bolt $\varnothing$ 10x40/M8	6000085	2	Loctite 2700
14	Screw MC6S 12x25	6000164	4	Loctite 2700
15	Lockpin	1036454	2	
16	Spring	1038762	2	
17	Indexing plunger	6000061	1	
18	With Q-block retracted, lockpin must align with surface			
39	Flow divider GRD Complete	7000840	1	
40	Washer NL 8mm	611040	2	QTY: 4 for SYNC
41	MC6S M8x30 12.9 Geomet	611519	2	
73	Punch serial number into frame			



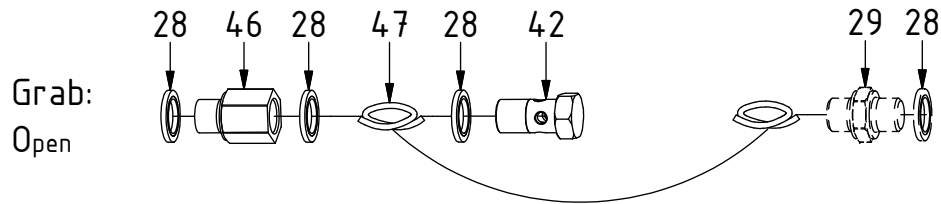
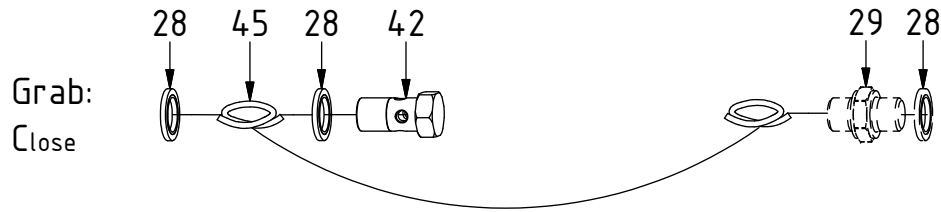
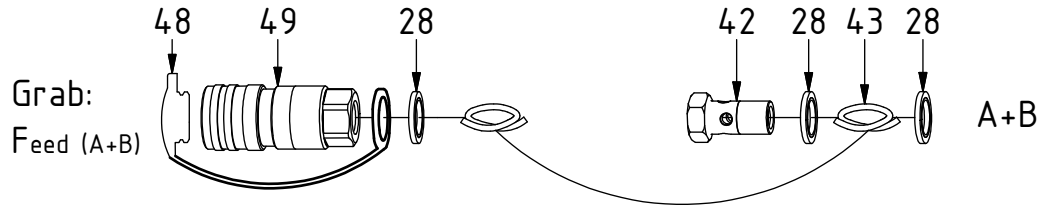
## GRD10

POS	DESCRIPTION	PART	QTY	COMMENTS
28	Washer GBR04 1/4	710702	6	QTY depends on config (4-18)
29	Adapter 1/4"	710135	4	
34	Adapter 851-04-04	7000883	2	
35	Hose kit GRD10 - Grab hoses	7001051	1	POS.36-37 included
36	Hose Grab Long	7001049	2	
37	Hose Grab Short	7001050	2	
38	Hose Grab Feed GRD	743003	2	
48	Dust protection 1/4" Female	790116	2	
49	Quick coupler 1/4" Female	790110	2	

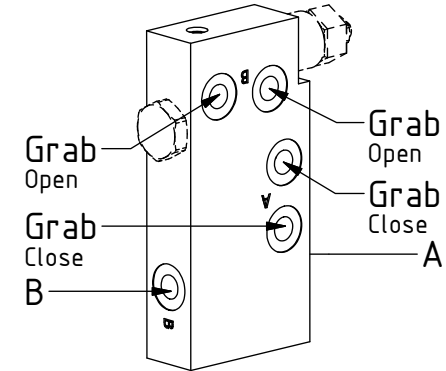
POS in order of assembly



## GRD10 SYNC

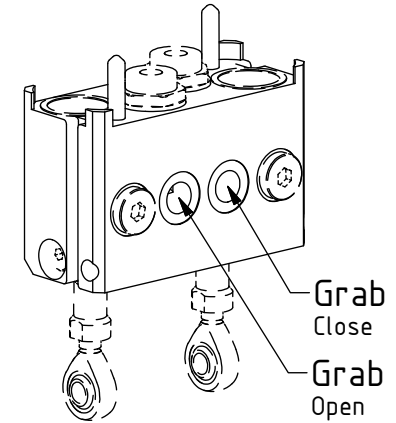
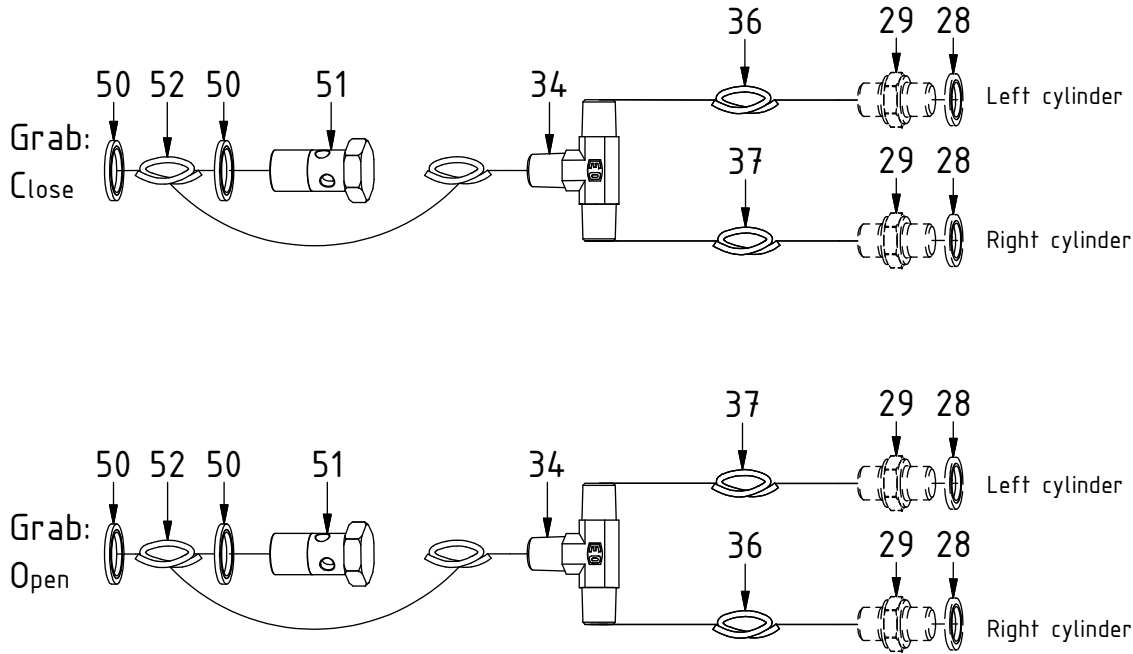


POS	DESCRIPTION	PART	QTY	COMMENTS
28	Washer GBR04 1/4	710702	6	QTY depends on config (4-18)
29	Adapter 1/4"	710135	4	
42	Banjo bolt 4451-04 (1/4")	710271	6	
43	Hose Grab Feed GRD SYNC	7001112	2	
44	Hose kit GRD10 SYNC - Grab hoses	7001109	1	POS.45, 47 included
45	Hose Grab Short - SYNC	7001111	2	
46	Adapter 236-04-04 (1/4")	1013885	2	
47	Hose Grab Long - SYNC	7001110	2	
48	Dust protection 1/4" Female	790116	2	
49	Quick coupler 1/4" Female	790110	2	



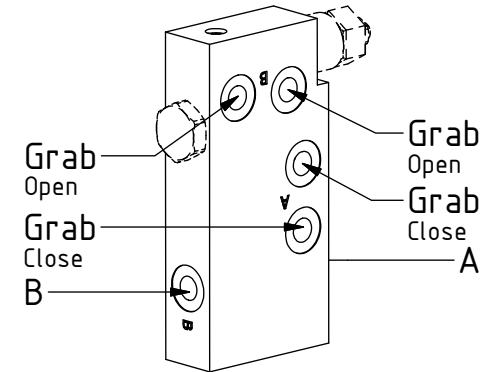
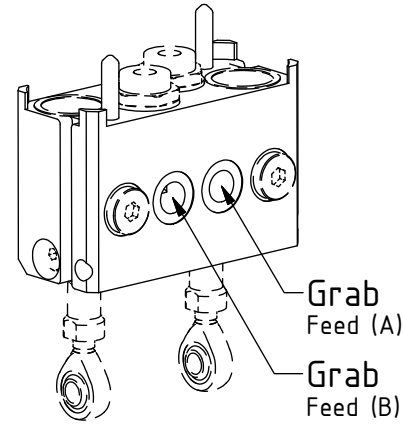
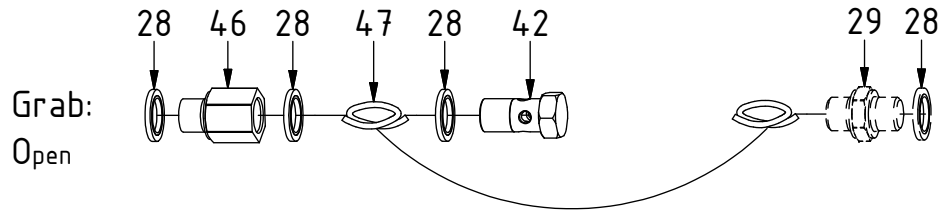
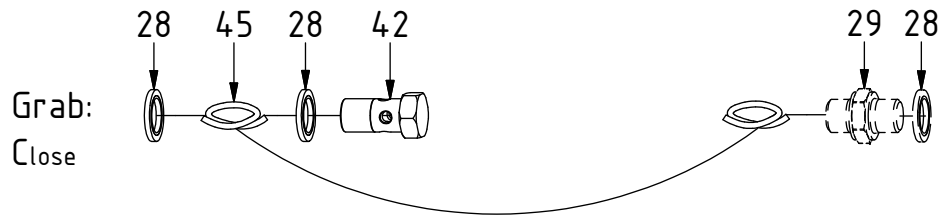
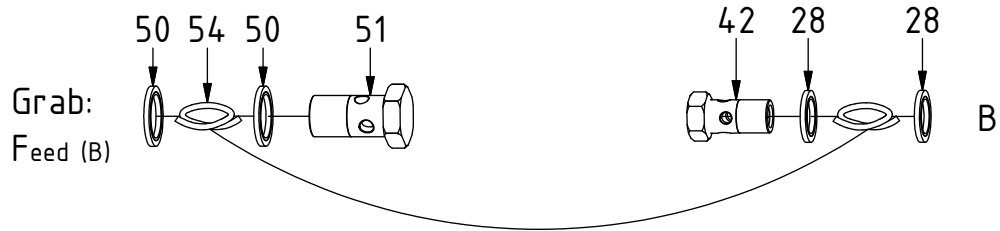
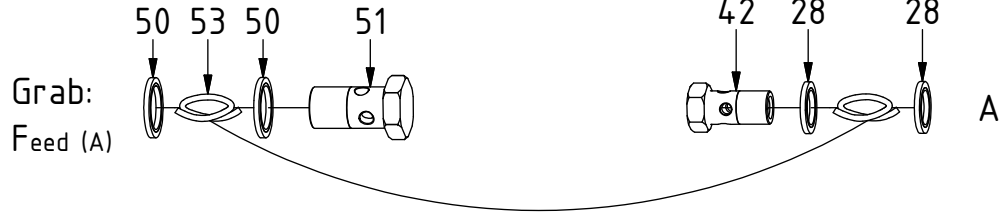
## GRD10Q

POS	DESCRIPTION	PART	QTY	COMMENTS
28	Washer GBR04 1/4	710702	6	QTY depends on config (4-18)
29	Adapter 1/4"	710135	4	
34	Adapter 851-04-04	7000883	2	
35	Hose kit GRD10 - Grab hoses	7001051	1	POS.36-37 included
36	Hose Grab Long	7001049	2	
37	Hose Grab Short	7001050	2	
50	Washer GBR06 3/8	710703	4	
51	Banjo bolt 4451-06 (3/8")	710272	2	
52	Hose Grab Feed GRD-Q	7001052	2	

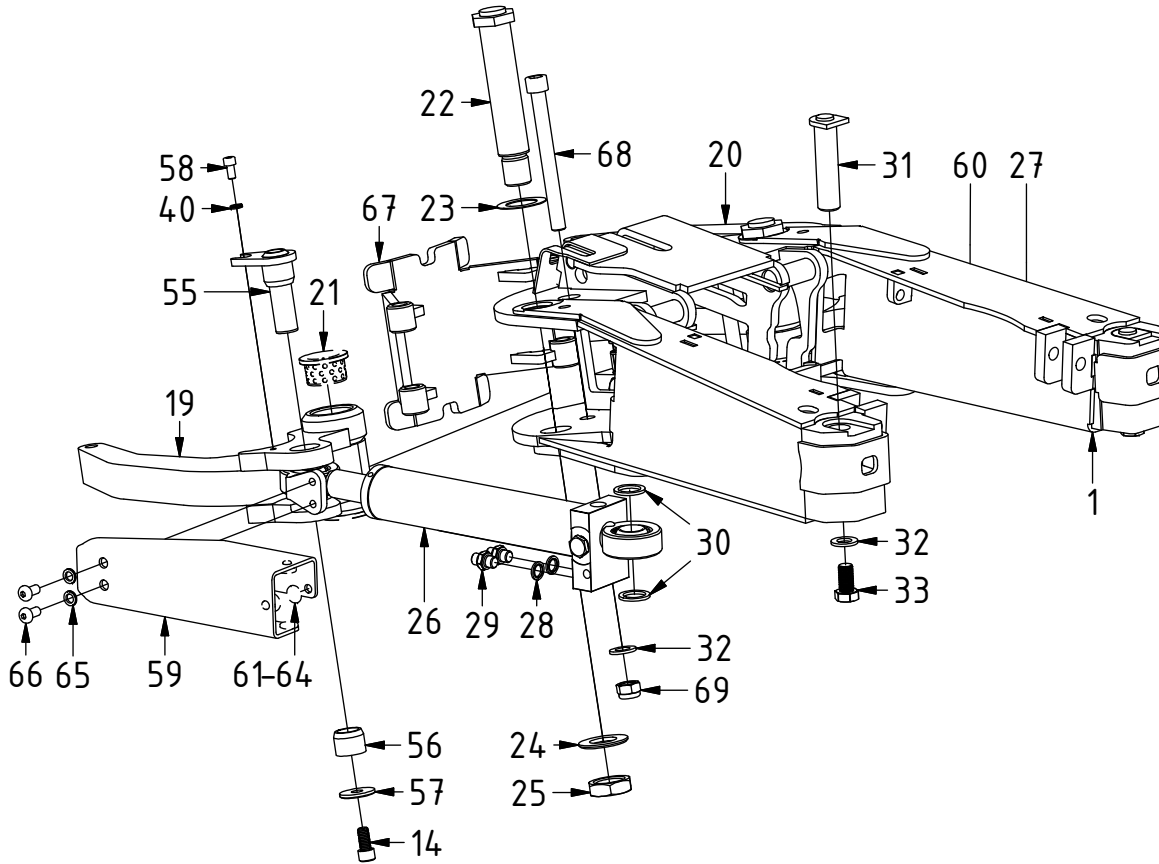


## GRD10Q SYNC

POS	DESCRIPTION	PART	QTY	COMMENTS
28	Washer GBR04 1/4"	710702	6	QTY depends on config (4-18)
29	Adapter 1/4"	710135	4	
42	Banjo bolt 4451-04 (1/4")	710271	6	
44	Hose kit GRD10 SYNC - Grab hoses	7001109	1	POS.45, 47 included
45	Hose Grab Short - SYNC	7001111	2	
46	Adapter 236-04-04 (1/4")	1013885	2	
47	Hose Grab Long - SYNC	7001110	2	
50	Washer GBR06 3/8"	710703	4	
51	Banjo bolt 4451-06 (3/8")	710272	2	
53	Hose Grab Feed (A) GRD-Q SYNC	7001113	1	
54	Hose Grab Feed (B) GRD-Q SYNC	7001114	1	



## GRD10 & GRD10Q

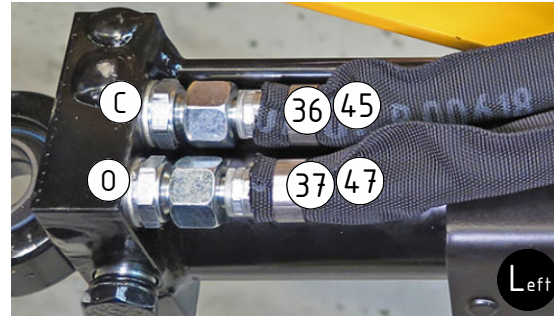
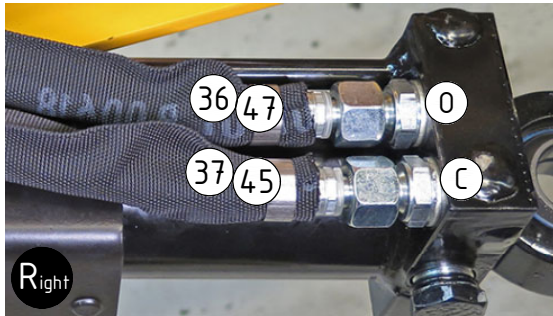
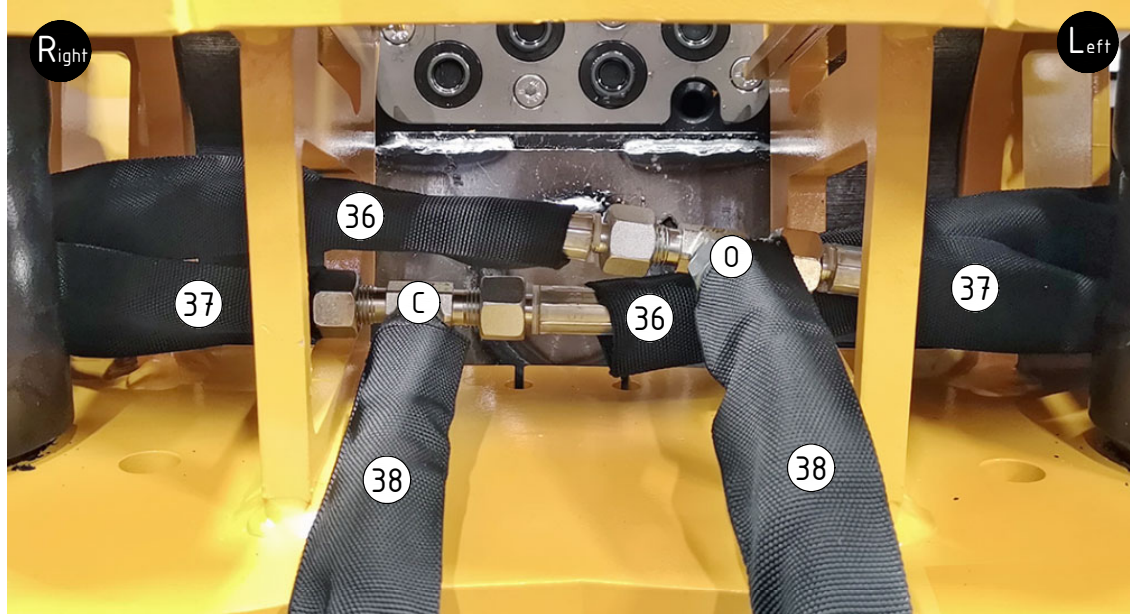


POS	DESCRIPTION	PART	QTY	COMMENTS
1	Grab frame GRD10 V2	1055852	1	
14	Screw MC6S 12x25	6000164	4	Loctite 2700
19	Grab arm left	1038210	1	(POS.21 included)
20	Grab arm right	1038213	1	(POS.21 included)
21	Bushing	631003	4	
22	Axle grab arm	1036723	2	Torque: 649Nm
23	Shim GRD10 56x35,5x1	1042068	2	Also used between grab arm & frame if required
24	Washer M30	6000053	2	
25	Nut M30	6000059	2	Loctite 2700. Torque: 649Nm
26	Grab cylinder left	1036481	1	
27	Grab cylinder right	1036480	1	
28	Washer GBR04 1/4	710702	6	QTY depends on config (4-18)
29	Adapter 1/4"	710135	4	
30	Cylinder spacer 35x25,5x3	1036418	4	
31	Axle cylinder	1036402	2	
32	Washer M16	611009	4	
33	Screw M6S 16x30H	610210	2	Loctite 2700
40	Washer NL 8mm	611040	2	QTY: 4 for SYNC
55	Axle Grab arm/cylinder	1034640	2	
56	Socket	1034641	2	
57	Washer 13x40x4	6000056	2	
58	MC6S M8x16 12.9	610432	2	
59	Cylinder cover right	1022974K	1	Mount to left cylinder (POS.61-64 included)
60	Cylinder cover left	1022975K	1	Mount to right cylinder (POS.61-64 included)
61	Plastic spacer 1,2mm	400635	2	
62	Plastic spacer 3mm	402215	2	
63	Plastic spacer 5mm	400636	2	
64	Plastic spacer 10mm	400637	2	
65	Washer NL10	611041	4	
66	Screw K6S 10x20	611812	4	
67	Grab support GRD10	1038716	1	
68	Screw MC6S 16x160	610536	2	
69	Nut M16 Lock	610926	2	

POS in order of assembly

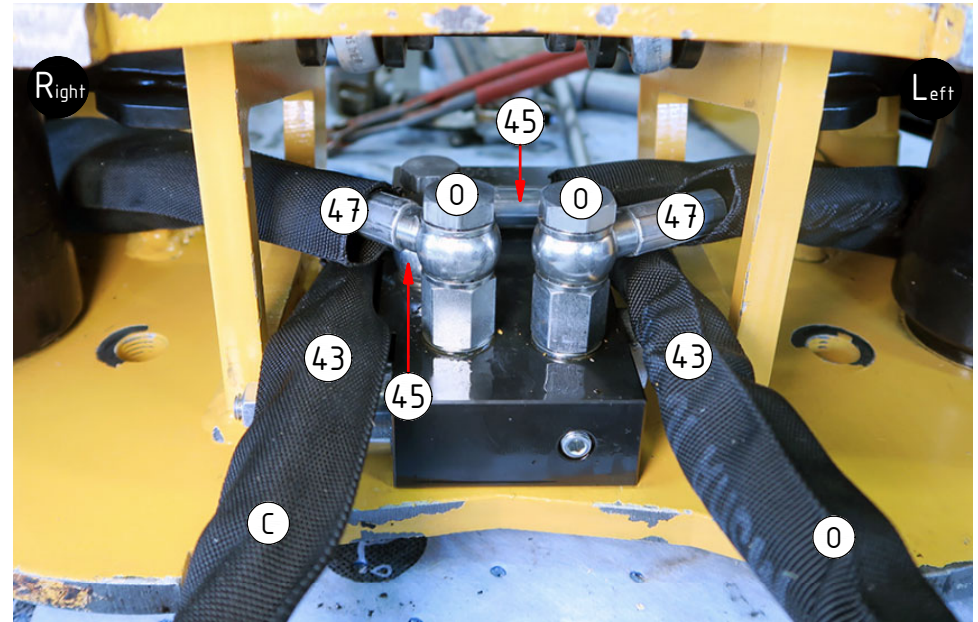


## GRD10

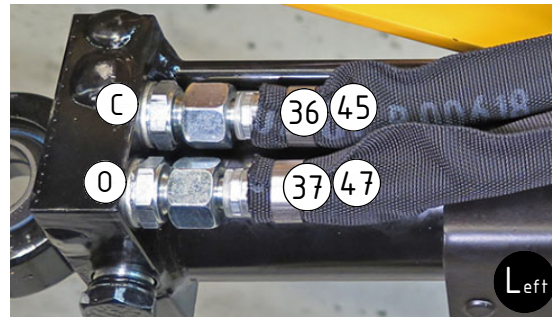
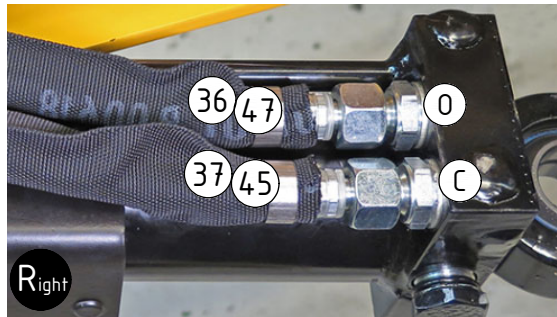
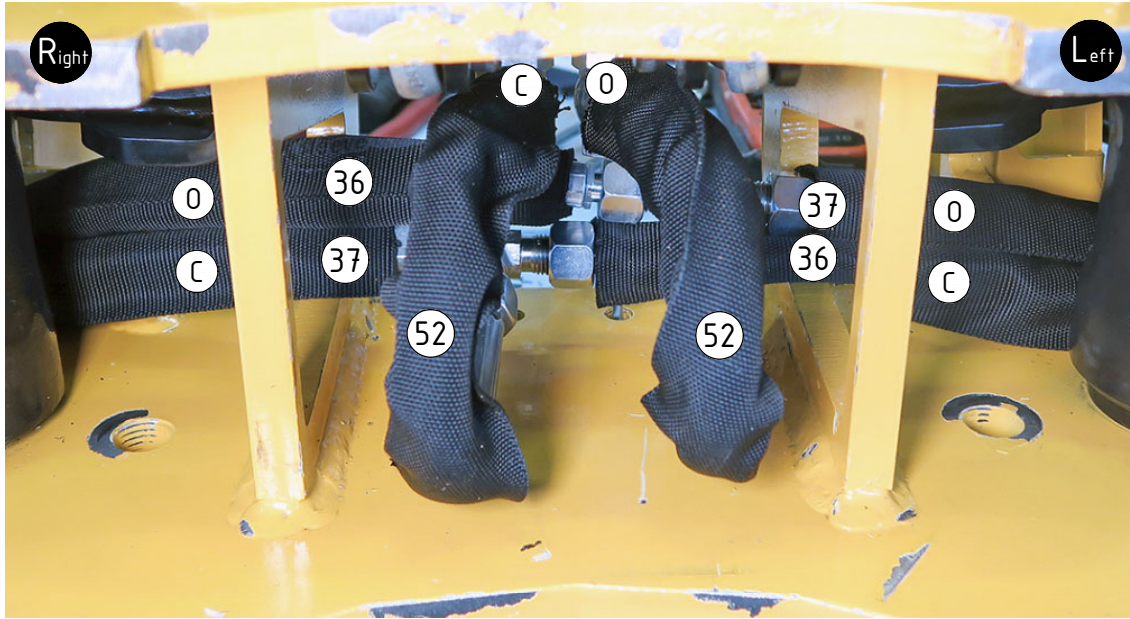


POS	DESCRIPTION	PART	QTY	COMMENTS
35	Hose kit GRD10 - Grab hoses	7001051	1	POS.36-37 included
36	Hose Grab Long	7001049	2	
37	Hose Grab Short	7001050	2	
38	Hose Grab Feed GRD	743003	2	
43	Hose Grab Feed GRD SYNC	7001112	2	
44	Hose kit GRD10 SYNC - Grab hoses	7001109	1	POS.45, 47 included
45	Hose Grab Short - SYNC	7001111	2	
47	Hose Grab Long - SYNC	7001110	2	

## GRD10 SYNC

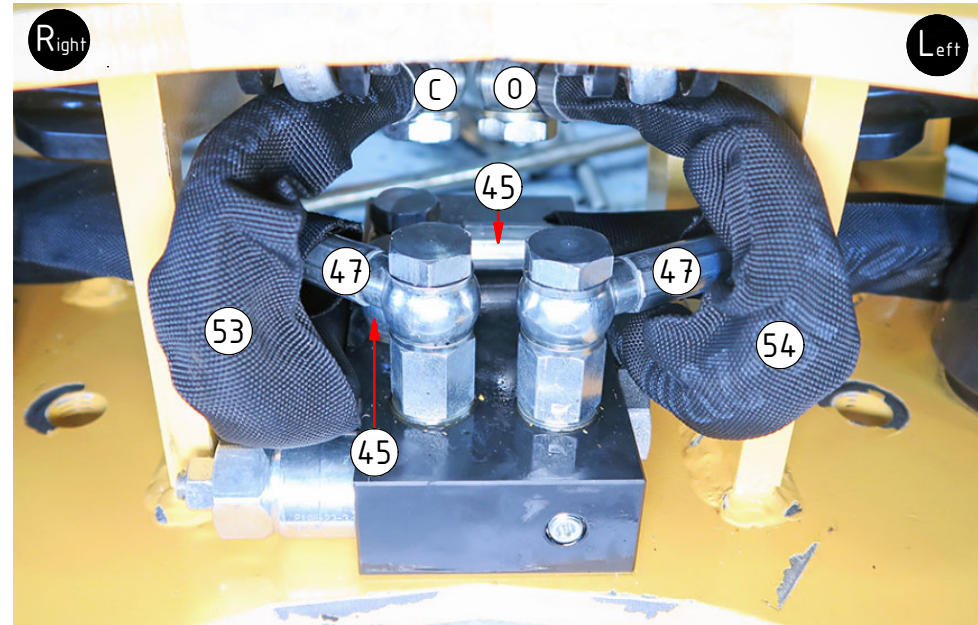


## GRD10Q

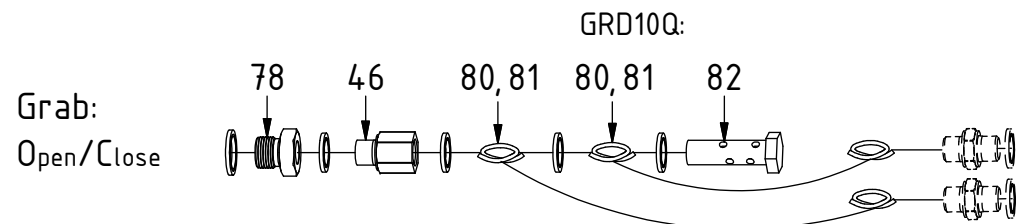
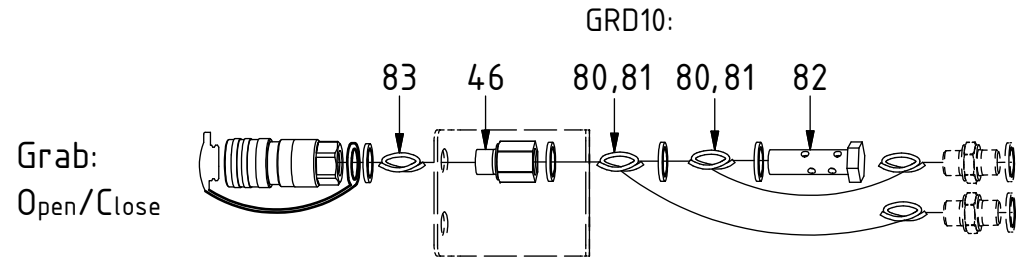
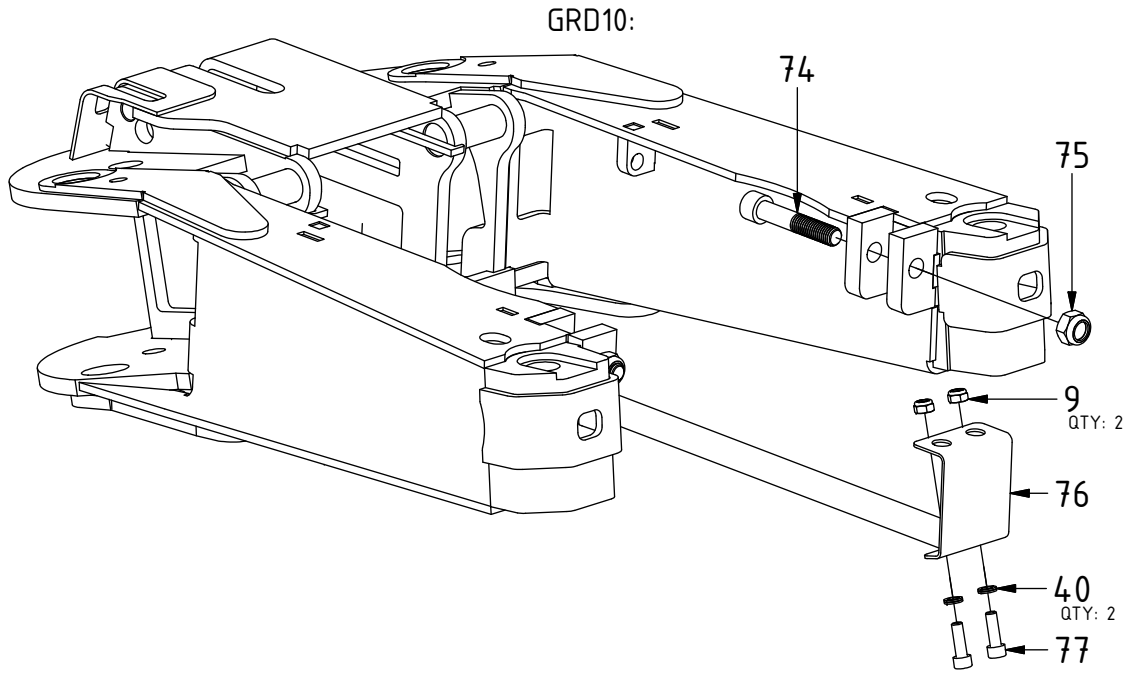


POS	DESCRIPTION	PART	QTY	COMMENTS
35	Hose kit GRD10 - Grab hoses	7001051	1	POS.36-37 included
36	Hose Grab Long	7001049	2	
37	Hose Grab Short	7001050	2	
44	Hose kit GRD10 SYNC - Grab hoses	7001109	1	POS.45, 47 included
45	Hose Grab Short - SYNC	7001111	2	
47	Hose Grab Long - SYNC	7001110	2	
52	Hose Grab Feed GRD-Q	7001052	2	
53	Hose Grab Feed (A) GRD-Q SYNC	7001113	1	
54	Hose Grab Feed (B) GRD-Q SYNC	7001114	1	

## GRD10Q SYNC



## Related spare parts



POS	DESCRIPTION	PART	QTY	COMMENTS
9	Nut M8 Lock	610922	6	
40	Washer NL 8mm	611040	2	QTY: 4 for SYNC
70	Lock pin GRD10	1050736	2	
74	Screw MC6S 14x75	6000108	2	Replaced by POS.70 from 2019-04
75	Nut M14 Lock	610925	2	Used with POS.74
76	Hose holder GRD	1037775	1	Used until 2019-10
77	MC6S 8x25 12.9 ZFSLH ISO4762	6000143	2	Used until 2019-10
78	Adapter 3/8" - 1/4"	710235	2	Used until 2019-10
79	Hose kit - Grab	7000430	1	(POS.80-81 Included)
80	Hose Grab Short	7000431	2	Used until 2019-10
81	Hose Grab Long	7000432	2	Used until 2019-10
82	Banjobolt 1/4" Extended	712214	2	Used until 2019-10
83	Hose Feed	7000181	2	Used until 2019-10

POS in order of assembly

