

COVERSHEET

Planned document changes:

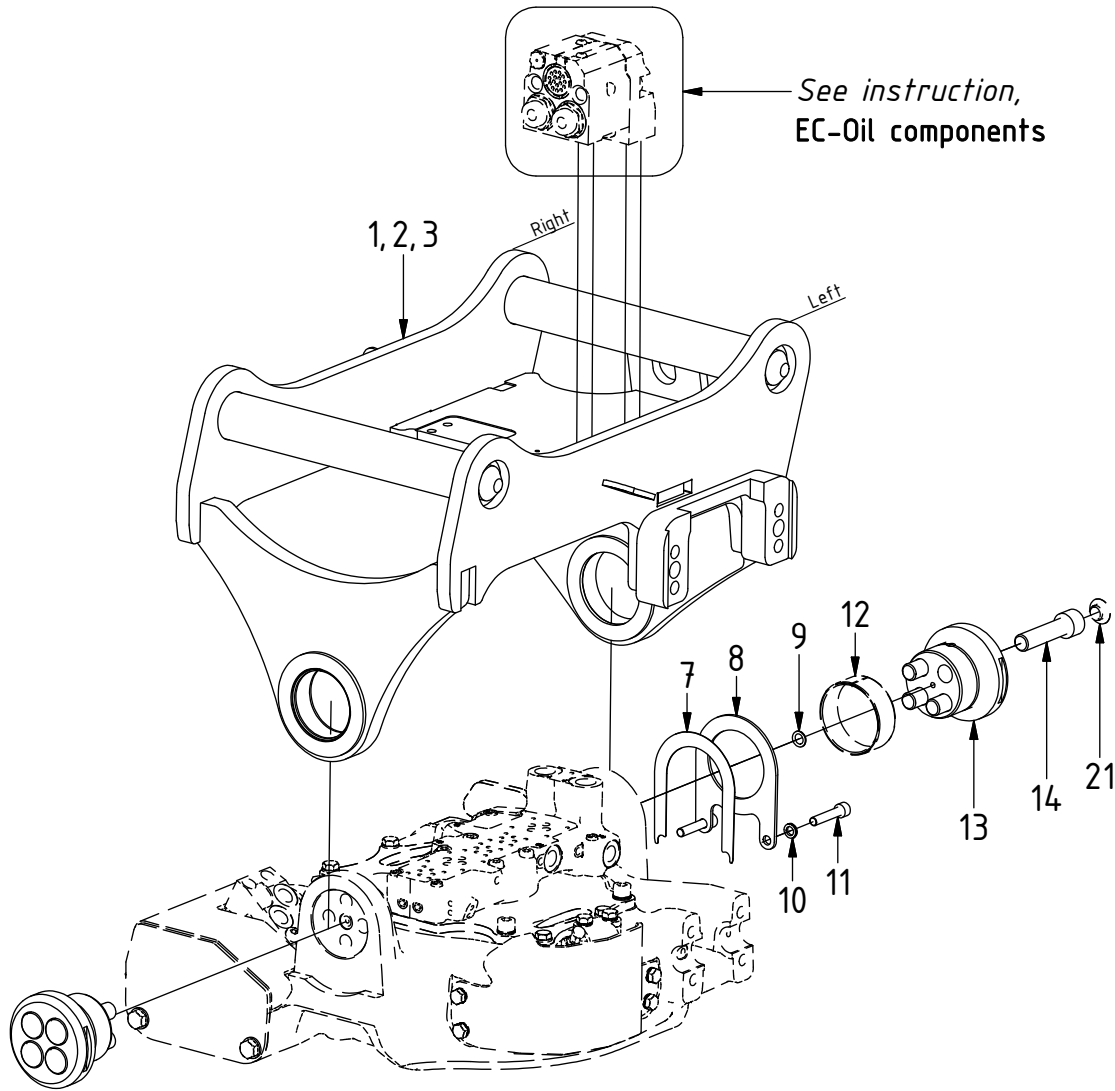
Briefly:

No planned changes

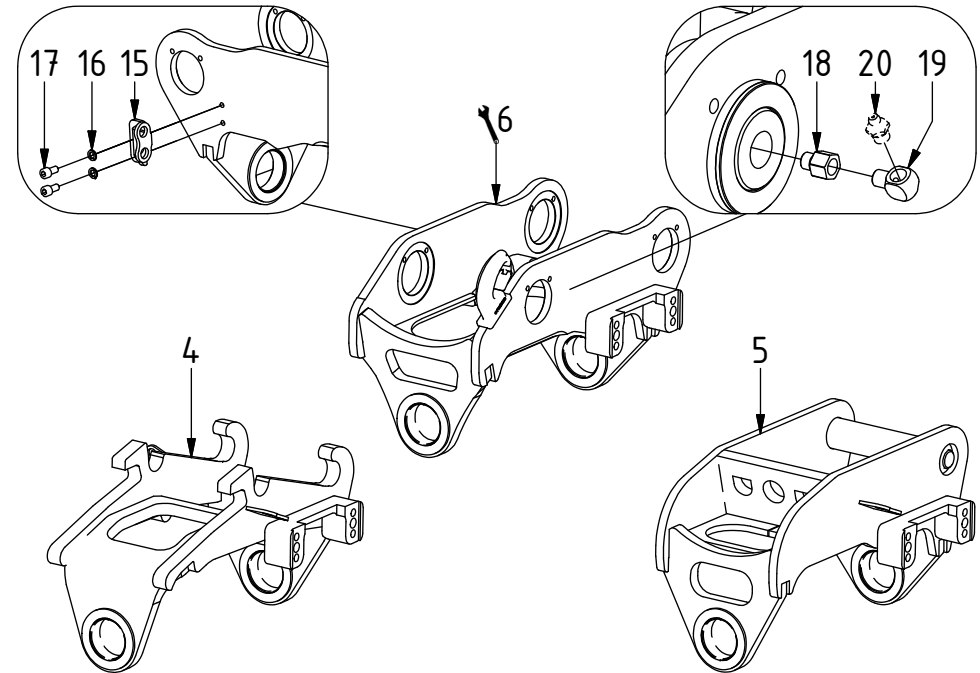
Document changes:

<u>Date:</u>	<u>Change:</u>	<u>Rev. after change:</u>
2018-02-08	Replaced screw for tilt axle.	A

EC206 - Top part base

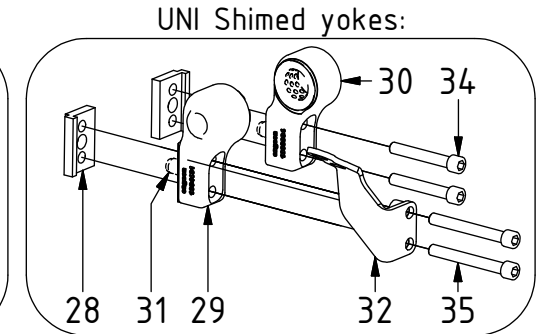
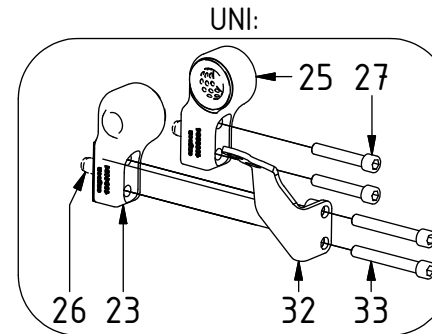
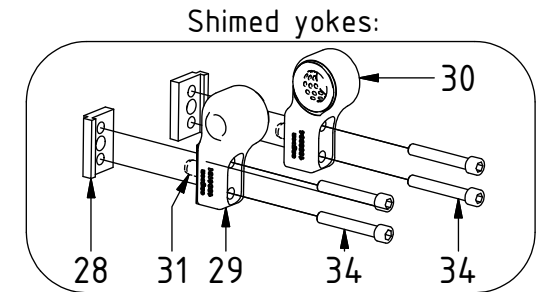
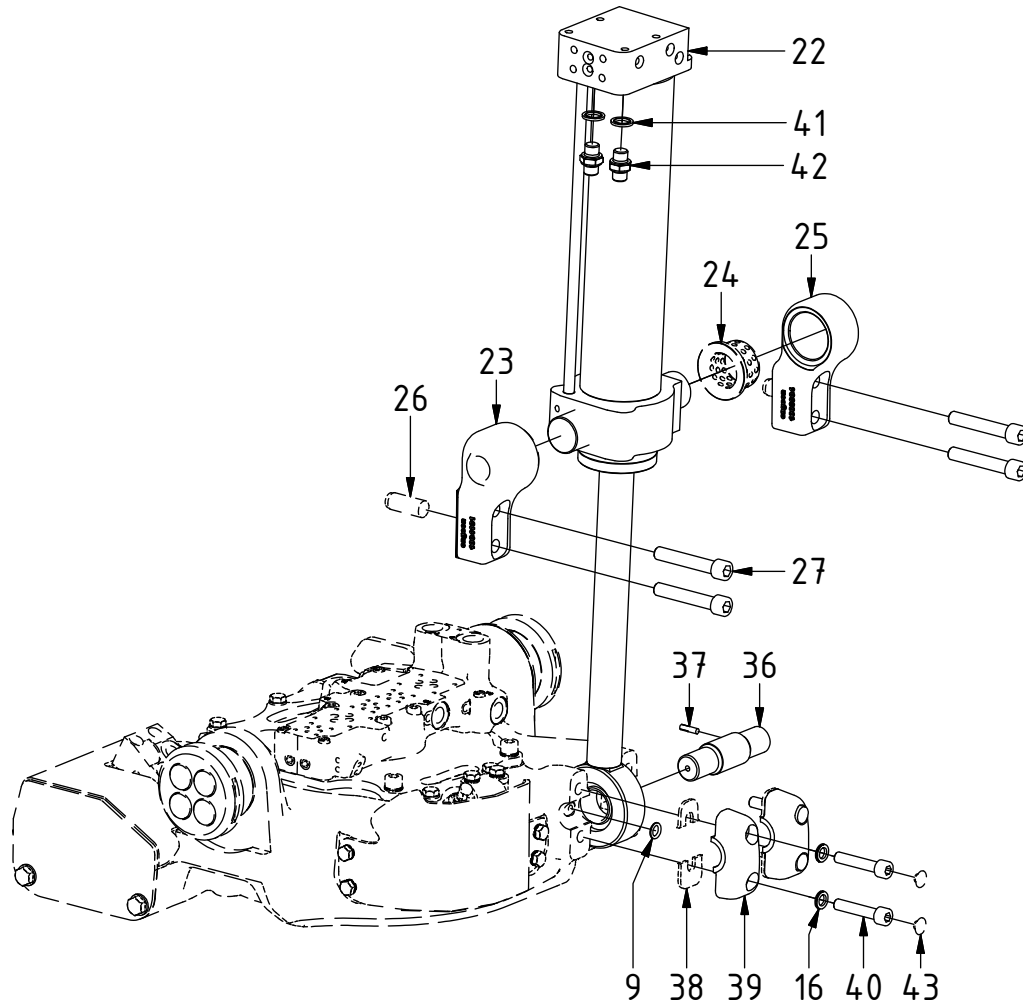


POS	DESCRIPTION	PART	QTY	COMMENTS
1	Top part S40	1023113	1	
2	Top part QS45	1028640	1	Same assembly as S45
3	Top part QS50	1030610	1	Same assembly as S50
4	Top part CW05	1027458	1	
5	Top part SW03	1039064	1	
6	Top part UNI is selected via engcon			
7	Shims tilt axle 65	1016499	1	
8	Axial Washer	1016461	1	
9	O-ring 9,92x2,62	710968	3	
10	Washer NL8	611040	6	
11	Screw MC6S 8x40	610437	2	
12	Bushing $\varnothing 65/70 \times 25$	630322	2	
13	Tiltaxle $\varnothing 65$	1016460	2	
14	Screw MC6S 16x65	610525	8	
15	Bracket 206 UNI	1025812	1	
16	Washer NL10	611041	4	QTY:6 for Top part UNI
17	Screw MC6S 10x20	610451	2	
18	Extension adapter 1/8"	712216	1	Only for lubricated Top parts
19	Adapter 90° R1/8"	710199	1	Only for lubricated Top parts
20	Grease Nipple	711403	2	Included in lubricated axle. Angle upward/forward
21	Screw Cover M16 Cast yoke	1004801	8	Part of make up



EC206 - Top part base

POS	DESCRIPTION	PART	QTY	COMMENTS
9	O-ring 9,92x2,62	710968	3	
16	Washer NL10	611041	4	QTY:6 for Top part UNI
22	Tilt cylinder EC206	1040873	1	See "Tilt cylinders"
23	Yoke front	1023824	2	(POS.24, 26 included)
24	Bushing 35/45/55/5x30	631003	2	
25	Yoke rear	1023823	2	(POS.24, 26 included)
26	Cylindrical pin CPK 16x36 m6	650215	1	
27	Screw MC6S 12x70	610482	4	Torque: 136Nm
28	Distans	1006199	2	
29	Shimed yoke front	1040381	1	(POS.24, 31 included)
30	Shimed yoke rear	1040380	1	(POS.24, 31 included)
31	Cylindrical pin CPK 16x45 m6	650218	2	
32	Terminal UNI	1025805	1	
33	Screw MC6S 12x90	610486	2	Torque: 136Nm
34	Screw MC6S 12x80	610484	4	Torque: 136Nm
35	Screw MC6S 12x100	610488	2	Torque: 136Nm
36	Axle ø30	1016458	1	
37	Slotted pin 5x20	640413	1	
38	Rubber spacer clamping half	1016465	2	
39	Clamping half Complete	1022942	2	(POS.38 included)
40	Screw MC6S 10x50	610457	14	Torque: 79Nm
41	Sealing washer 1/4"	710702	4	
42	Adapter 1/4"	710135	2	
43	Screw Cover M10 Clamping half	1021468	4	Part of make up

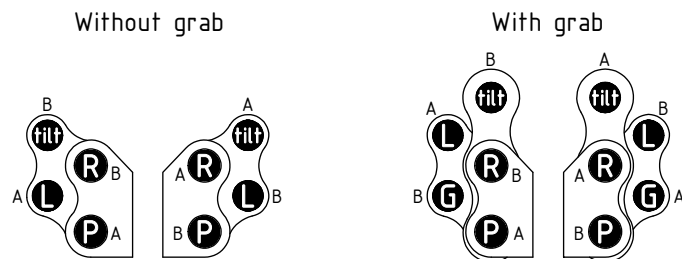


EC206 - Top part base

Drawing No: 1040764 /A

- E** = 49
- G** = 48
- L** = 48
- R** = 49
- tiit** = 48

FEED:
Function
CS0



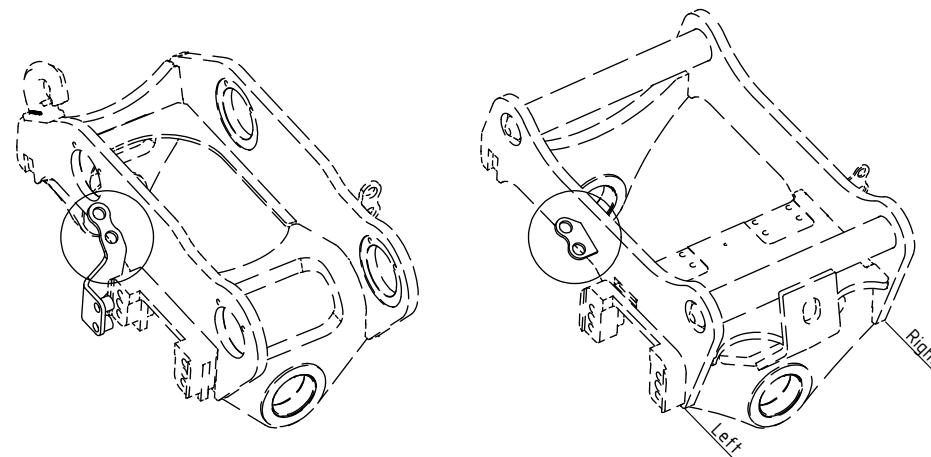
- P** = 49
- T** = 49

CS5, CS10

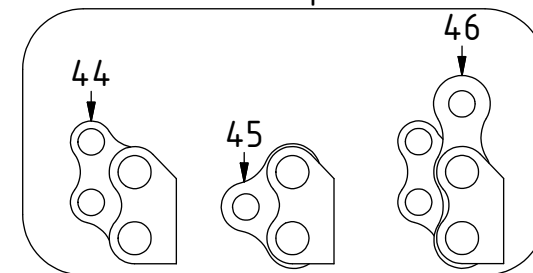


POS	DESCRIPTION	PART	QTY	COMMENTS
44	Terminal plate 2x3/8 - 2x1/4	1026096	1	QTY depends on CS
45	Terminal plate 2*3/8+1*1/4	1011565	1	QTY depends on CS
46	Terminal plate	1011454	1	QTY depends on CS
47	For CS9IQSX terminal hole must be drilled to 3/8"			
48	Use adapter, washer, nut according to POS.50-52			QTY depends on terminal holes
49	Use adapter, washer, nut according to POS.53-55			QTY depends on terminal holes
50	Bulkhead adapter 1/4"	710240	1	
51	Washer NL 1/2"	611096	1	
52	Bulkhead adapter nut 1/4"	710250	1	
53	Bulkhead adapter Bsp 3/8"	710242	1	
54	Washer NL16	611044	1	
55	Bulkhead adapter nut Bsp 3/8"	710252	1	
Attach feed hoses from CS according to the letter markings. (a & b represents channels on feed block)				E: extra G: grab L: lock P: pressure R: rotation T: tank tiit: separate feed

POS in order of assembly



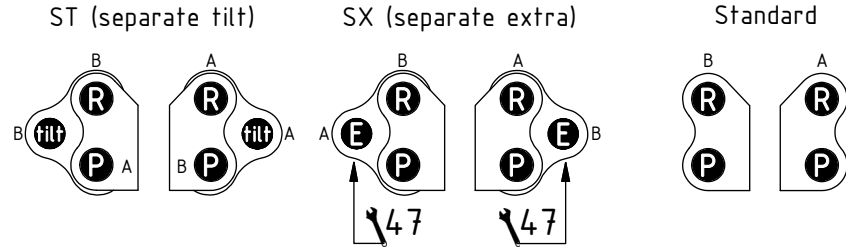
Terminal plates



EC206 - Top part base

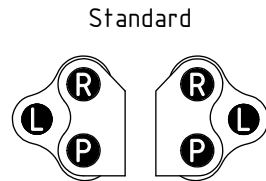
- E** = 49
- P** = 49
- R** = 49
- tiit** = 48

FEED:
Function
CS9IQ



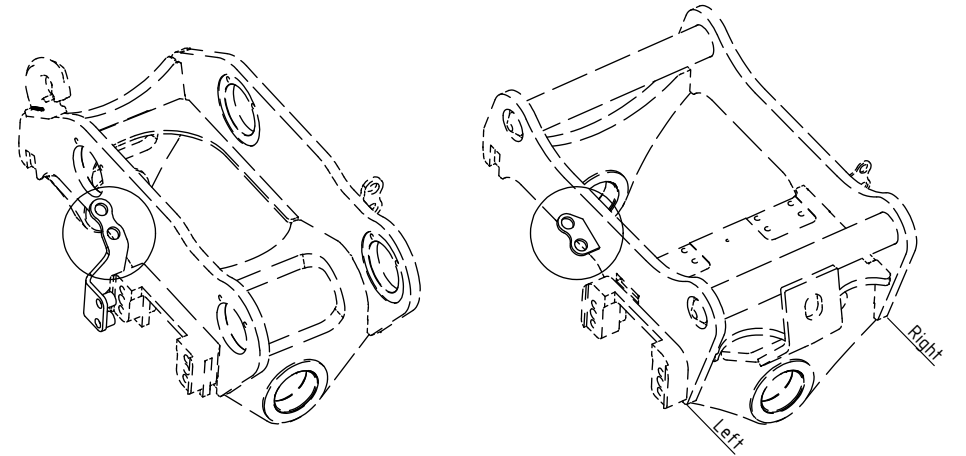
- L** = 48
- P** = 49
- R** = 49

CS9SQ

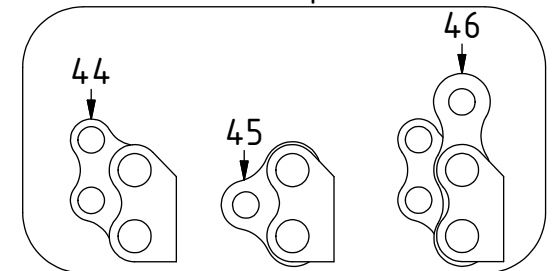


POS	DESCRIPTION	PART	QTY	COMMENTS
44	Terminal plate 2x3/8 - 2x1/4	1026096	1	QTY depends on CS
45	Terminal plate 2*3/8+1*1/4	1011565	1	QTY depends on CS
46	Terminal plate	1011454	1	QTY depends on CS
47	For CS9IQSX terminal hole must be drilled to 3/8"			
48	Use adapter, washer, nut according to POS.50-52			QTY depends on terminal holes
49	Use adapter, washer, nut according to POS.53-55			QTY depends on terminal holes
50	Bulkhead adapter 1/4"	710240	1	
51	Washer NL 1/2"	611096	1	
52	Bulkhead adapter nut 1/4"	710250	1	
53	Bulkhead adapter Bsp 3/8"	710242	1	
54	Washer NL16	611044	1	
55	Bulkhead adapter nut Bsp 3/8"	710252	1	
Attach feed hoses from CS according to the letter markings. (a & b represents channels on feed block)				E: extra G: grab L: lock P: pressure R: rotation T: tank tiit: separate feed

POS in order of assembly



Terminal plates

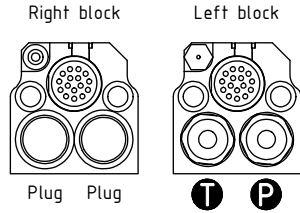


EC206 - Top part base

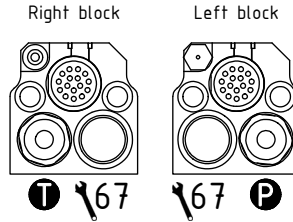
P = 71
T = 71

Option EC-Oil QS45:
Feed Function
CS5, SVAB

Standard



Option:
2Bl. HF



POS	DESCRIPTION	PART	QTY	COMMENTS
67	Use adapter and cap according to POS.71-72			
71	Adapter 90° 3/8"	710152	1	QTY depends on config.
72	Protectioncap 3/8"	711626	2	
73	For option MACS, assemble as DC2 Standard			
74	All plugs found in Top EC-Oil instruction			See subheading Top EC-Oil components
	Attach feed hoses from CS according to the letter markings. (a & b represents channels on feed block)			E: extra R: rotation G: grab T: tank L: lock tit: separate feed P: pressure

POS in order of assembly

73 Option MACS

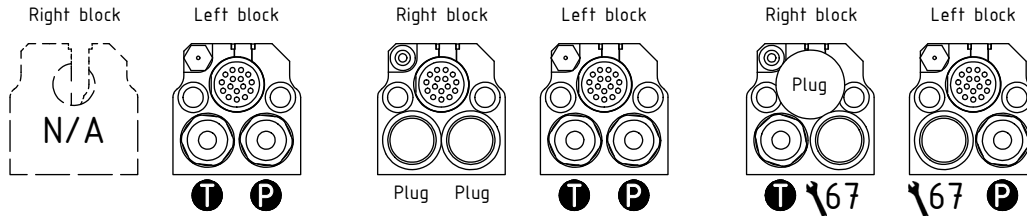
P = 71
T = 71

DC2

Standard

Option:
Extra elect.

Option:
2Bl. HF

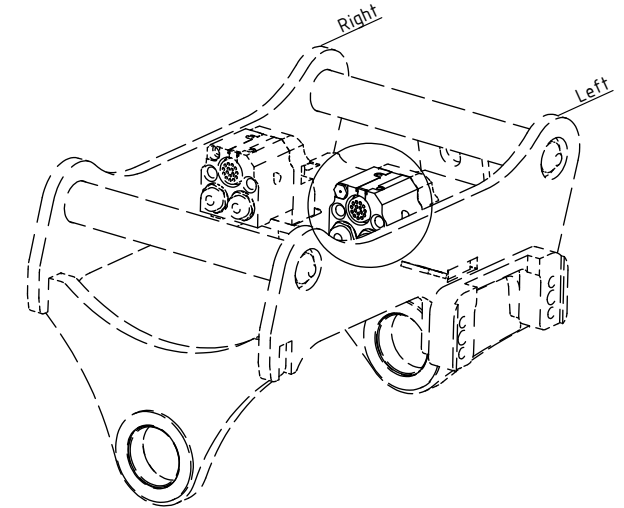


P = 71
R = 71

CS9

Standard

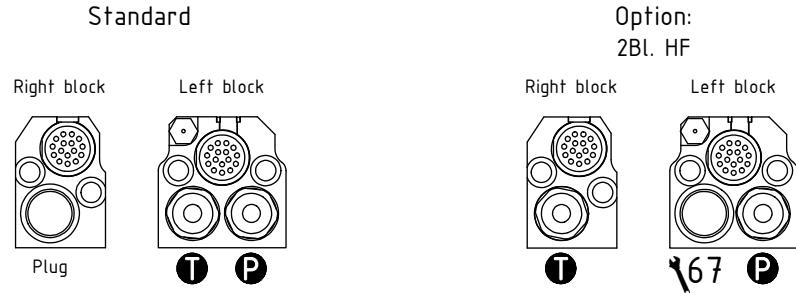
Option:
ePS/Extra elect.



EC206 - Top part base

P = 71
T = 71

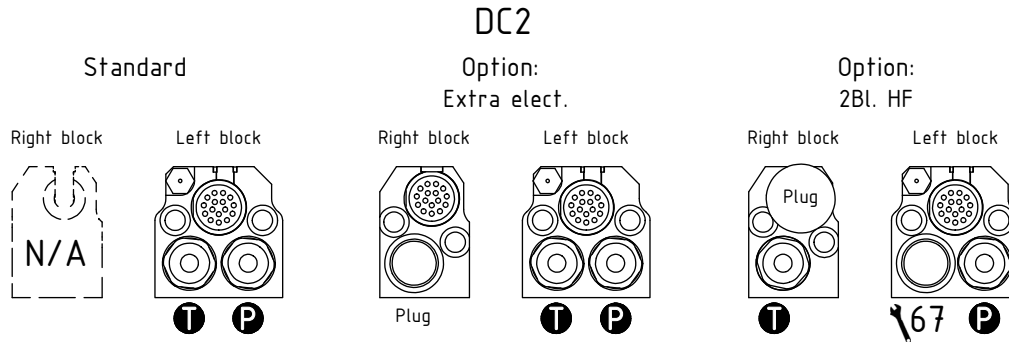
Option EC-Oil QS50:
Feed Function
CS5, SVAB



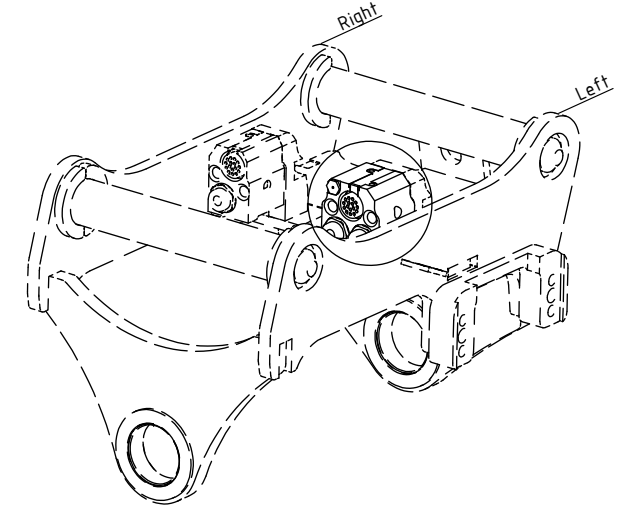
POS	DESCRIPTION	PART	QTY	COMMENTS
67	Use adapter and cap according to POS.71-72			
68	Use banjo bolt and washer according to POS.69-70		1	
69	Banjo bolt 3/8"	710272	2	
70	Sealing washer 3/8"	710703	4	
71	Adapter 90° 3/8"	710152	1	QTY depends on config.
72	Protectioncap 3/8"	711626	2	
73	For option MACS, assemble as DC2 Standard			
74	All plugs found in Top EC-Oil instruction			See subheading Top EC-Oil components
Attach feed hoses from CS according to the letter markings. (a & b represents channels on feed block)				E: extra G: grab L: lock P: pressure R: rotation T: tank tilt: separate feed

POS in order of assembly

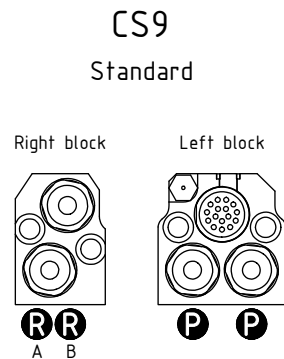
P = 71
T = 71



73 Option MACS



P = 71
R = 68



EC206 - Top part base

CS5, CS10, CS9IQ, CS9IQSX (standard)

POS	DESCRIPTION	PART	QTY	COMMENTS
56	Hose tilt long A	742912	1	(For CS5,CS10,CS9IQ & CS9IQSX)
57	Hose tilt short B	742911	1	(For CS5,CS10,CS9IQ & CS9IQSX)

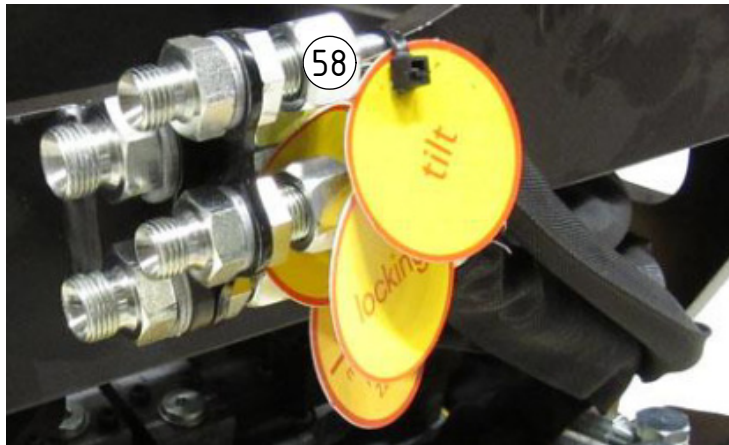
POS in order of assembly

EC206 - Top part base

CS0, CS9IQST (separate tilt)

POS	DESCRIPTION	PART	QTY	COMMENTS
58	Hose tilt long A	7000324	1	(For CS0, CS9IQST)
59	Hose tilt short B	7000325	1	(For CS0, CS9IQST)

POS in order of assembly



EC206 - Top part base

Related spare parts:

POS	DESCRIPTION	PART	QTY	COMMENTS
3	Top part QS50	1030610	1	Same assembly as S50
22	Tilt cylinder EC206	1040873	1	See "Tilt cylinders"
66	Tilt cylinder	1023189	1	Replaced by POS.22 from 2017-01 Used with old lubrication kit (1025030)

POS in order of assembly

