

COVERSHEET

Planned document changes:

Briefly:

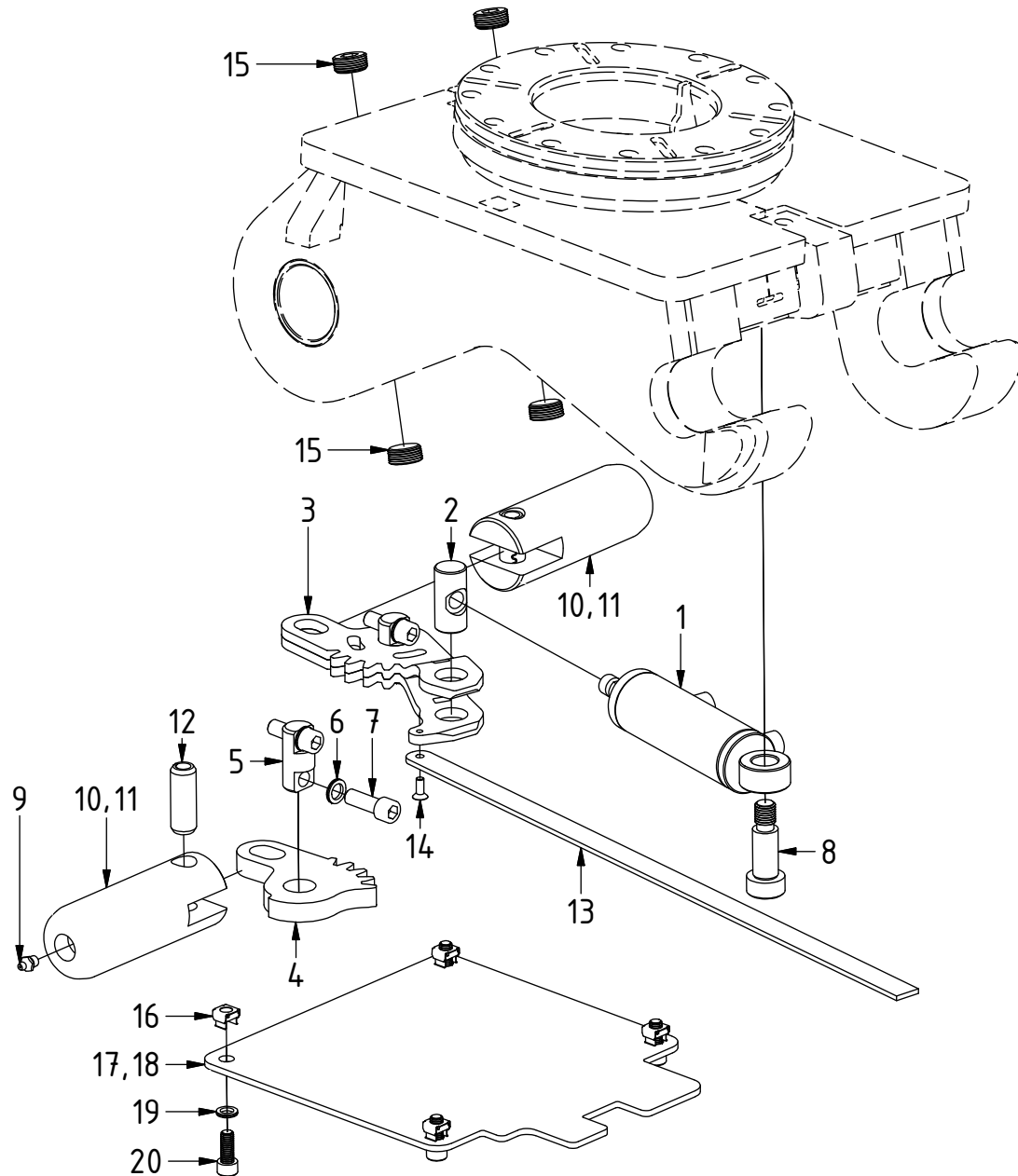
No planned changes

Document changes:

Date:	Change:	Rev. after change:
2018-04-27	Parts for SW48 added. Pipe plugs added.	D
2017-11-21	Adjustments made to cover plate.	C
2017-07-14	Loctite 2700 for lock pin added. Replaced lock axle.	B
2017-05-31	Replaced screw for indicator pin and lock axle.	A

SW33EC/SW48EC V2 - Std components

EC10, EC209, EC214, EC219, EC226



POS	DESCRIPTION	PART	QTY	COMMENTS
1	Lock cylinder	300732	1	
2	Lock pin	402894	1	Loctite 2700
3	Lock arm right	1030893	1	
4	Lock arm left	1028790	1	
5	Lock axle M12	1042993	2	
6	Washer NL12	611042	4	
7	Screw MC6S 12x35	610578	4	Torque: 136Nm
8	Setscrew ø20x40/M16	611707	1	Loctite 2700
9	Grease Nipple	711403	2	
10	Lock wedge SW33 V2	1027384	2	For SW33
11	Lock wedge SW48 V2	1042110	2	For SW48
12	Spring pin Connex S 20x55	6000015	2	
13	Indicator pin	1036201	1	Cut to fit
14	Screw MF6S 6x16	610604	1	Loctite 2700
15	Pipe Plug 3/4"	7000261	4	
16	Cage Nut M10	610957	4	
17	Cover plate SW33 V2	1027901	1	For SW33
18	Cover plate SW48 V2	1042113	1	For SW48
19	Washer NL10	611041	4	
20	Screw MC6S 10x25	610569	4	

POS in order of assembly

Related spare parts:

POS	DESCRIPTION	PART	QTY	COMMENTS
21	Lock axle SW33 V2	1040285	1	Replaced by POS.5
22	Screw MC6S 10x35	610494	1	Replaced by POS.7

Used until 2017-06

