

HS10EC/HS10ECS - Std Components

Drawing No: 1039776 /C

COVERSHEET

Planned document changes:

Briefly:

No planned changes.

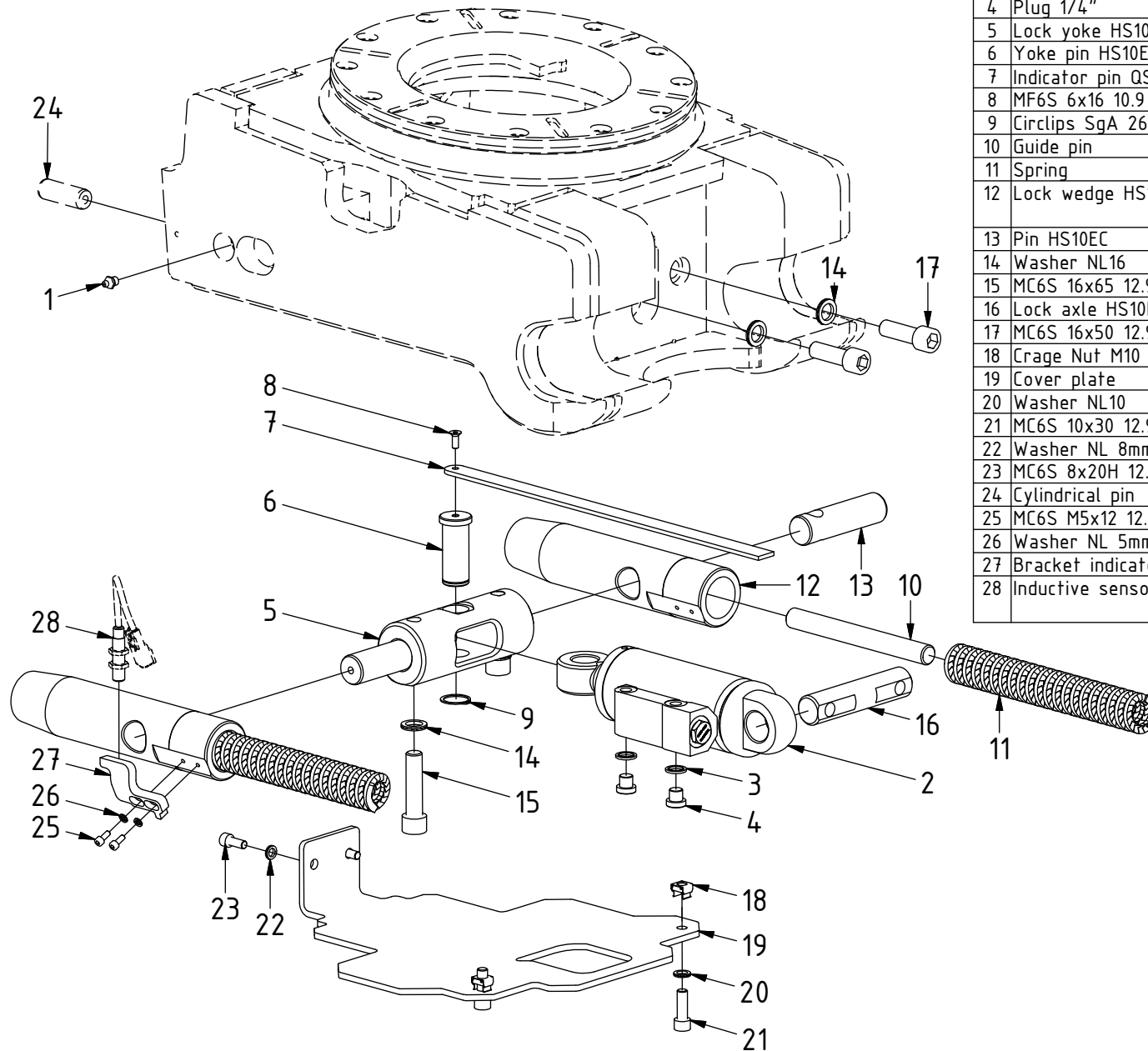
Document changes:

Date:	Change:	Rev. after change:
2021-10-06	HS10ECS added to instruction (HS10EC with sensor).	C
2018-11-09	POS-order corrected.	B
2018-06-29	Coversheet added.	A

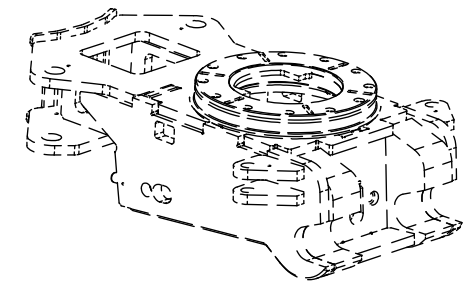
HS10EC/HS10ECS - Std Components

Drawing No: 1039776 /C

EC214, EC219



POS	DESCRIPTION	PART	QTY	COMMENTS
1	Lubrication nipple 1/8" straight	711403	2	
2	Lock cyl. HS10EC non-return valve	1037386	1	
3	Washer GBR04 1/4	710702	2	
4	Plug 1/4"	711505	2	
5	Lock yoke HS10EC	1033371	1	
6	Yoke pin HS10EC	1033376	1	
7	Indicator pin QS (610mm)	1036201	1	Cut to fit
8	MF6S 6x16 10.9 untreated	610604	1	Loctite
9	Circlips SqA 26	6000018	1	
10	Guide pin	1036473	2	
11	Spring	6000036	2	
12	Lock wedge HS10EC	1033050	2	Mount POS.10-11 before inserting wedge in hitch
13	Pin HS10EC	1032757	2	
14	Washer NL16	611044	4	
15	MC6S 16x65 12.9 ZFSHL	6000170	2	
16	Lock axle HS10EC	1033422	1	
17	MC6S 16x50 12.9 untreated	610316	2	
18	Crage Nut M10 C	610957	2	
19	Cover plate	1033054	1	
20	Washer NL10	611041	2	
21	MC6S 10x30 12.9 untreated	610452	2	
22	Washer NL 8mm	611040	2	
23	MC6S 8x20H 12.9 ZFSHL	6000157	2	
24	Cylindrical pin	6000063	2	Spare part only
25	MC6S M5x12 12.9	6000077	2	For HS10ECS
26	Washer NL 5mm	611038	2	For HS10ECS
27	Bracket indicator HS10ECS	1062532	1	For HS10ECS
28	Inductive sensor HS10ECS	8001316	1	For HS10ECS (Deutsch DTM04-3P & nut included)



POS in order of assembly

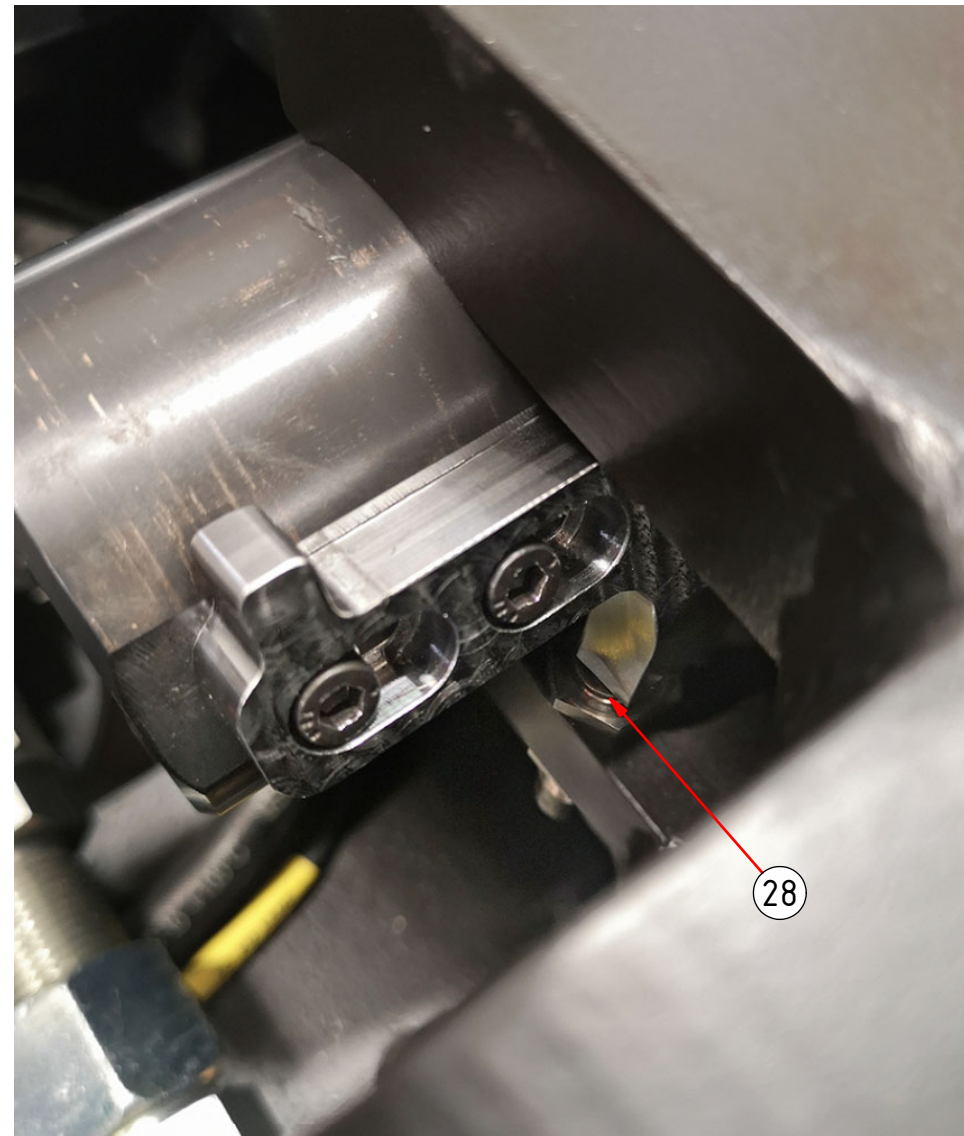
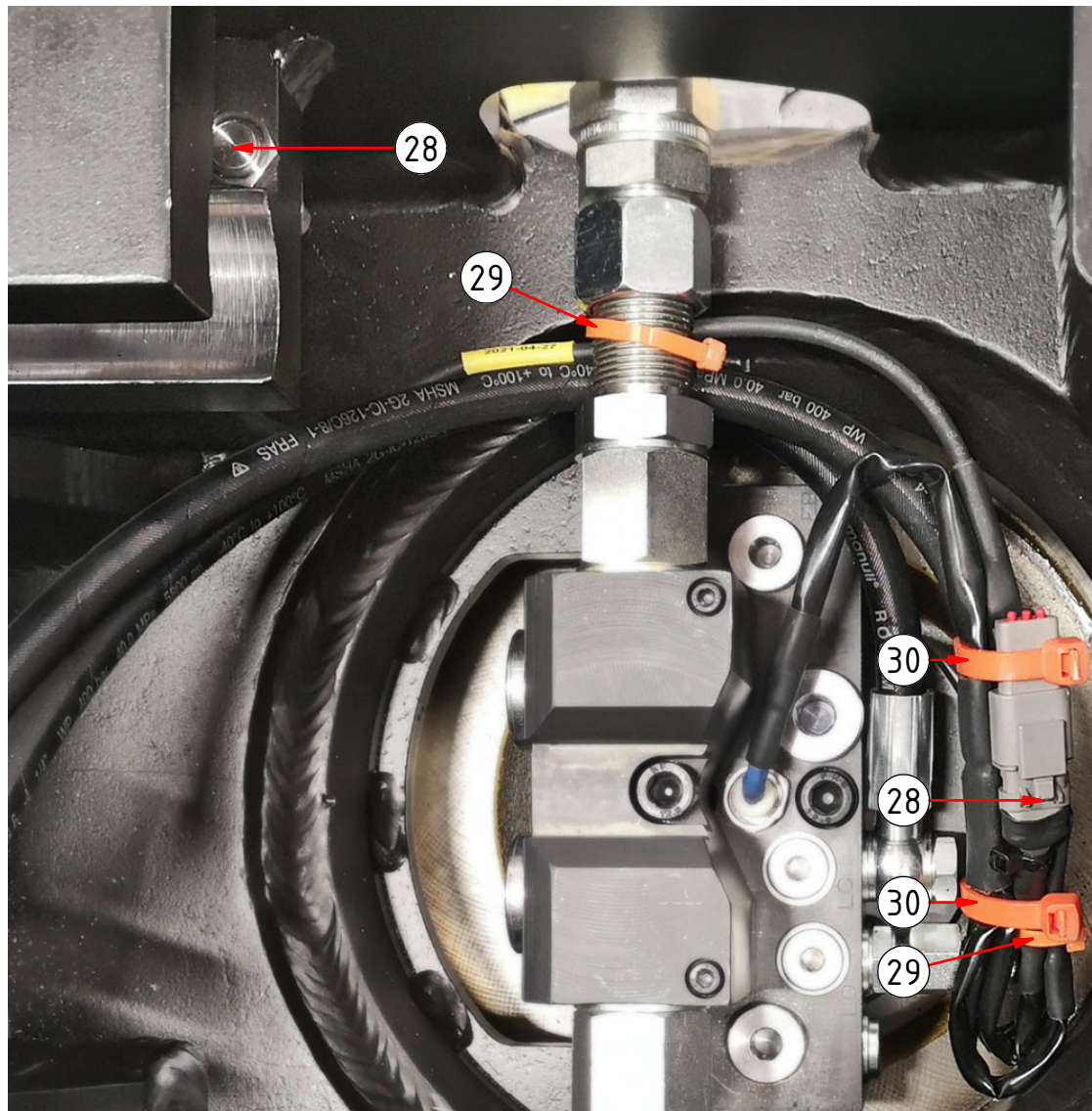
HS10EC/HS10ECS - Std Components

Drawing No: 1039776 /C

EC214, EC219

Sensor

POS	DESCRIPTION	PART	QTY	COMMENTS
28	Inductive sensor HS10ECS	8001316	1	For HS10ECS (Deutsch DTM04-3P & nut included)
29	Cable tie 4,8x360	1021586	1	
30	Cable tie 7,8x360	1021587	1	



POS in order of assembly