

COVERSHEET


Planned document changes:


Briefly:

 No planned changes.

Document changes:

Date:	Change:	Rev. after change:
2024-08-21	Details for EC219S clarified. (EC219 with ePS sensors).	N
2022-03-17	References for T620V corrected.	M
2020-10-15	Screw lengths corrected. Photo replaced.	L
2019-10-02	Photos added.	K
2019-01-07	New terminal placement.	J
2018-09-13	Screw quality added. Fastener references corrected.	I
2018-08-27	Reference for Menzi Muck added.	H
2018-05-14	New universal terminal, spare parts page added.	G
2018-02-12	Option Shimmed Tilt cylinder added.	F
2017-10-05	Layout/irrelevant.	E
2017-09-08	Clarification about SQ, ST, SX terminals.	D
2017-08-30	Hoses for Wide updated.	C
2017-08-24	Reference for Feed 1/2" ss0 & ST added.	B
2017-08-15	Reference for Feed 1/2" added.	A
2017-08-08	New document.	-

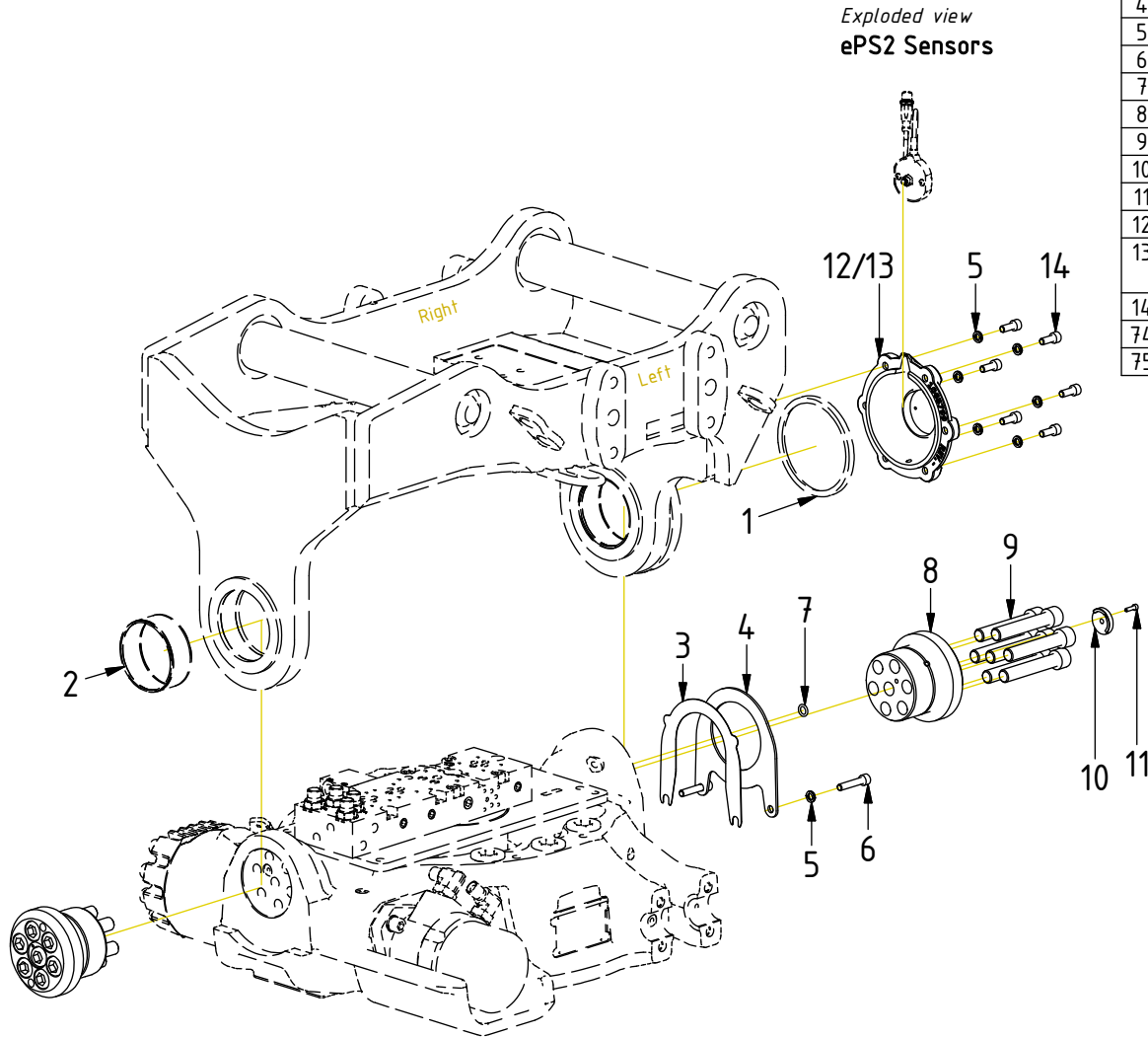
Readers note:
 Indicates instruction.

 Represents Hose.

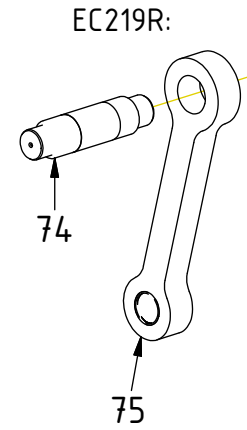
Dashed lines for overview, mounts
on other pages/assemblies.

EC219 ECHF - Std. Top components

POS in order of assembly



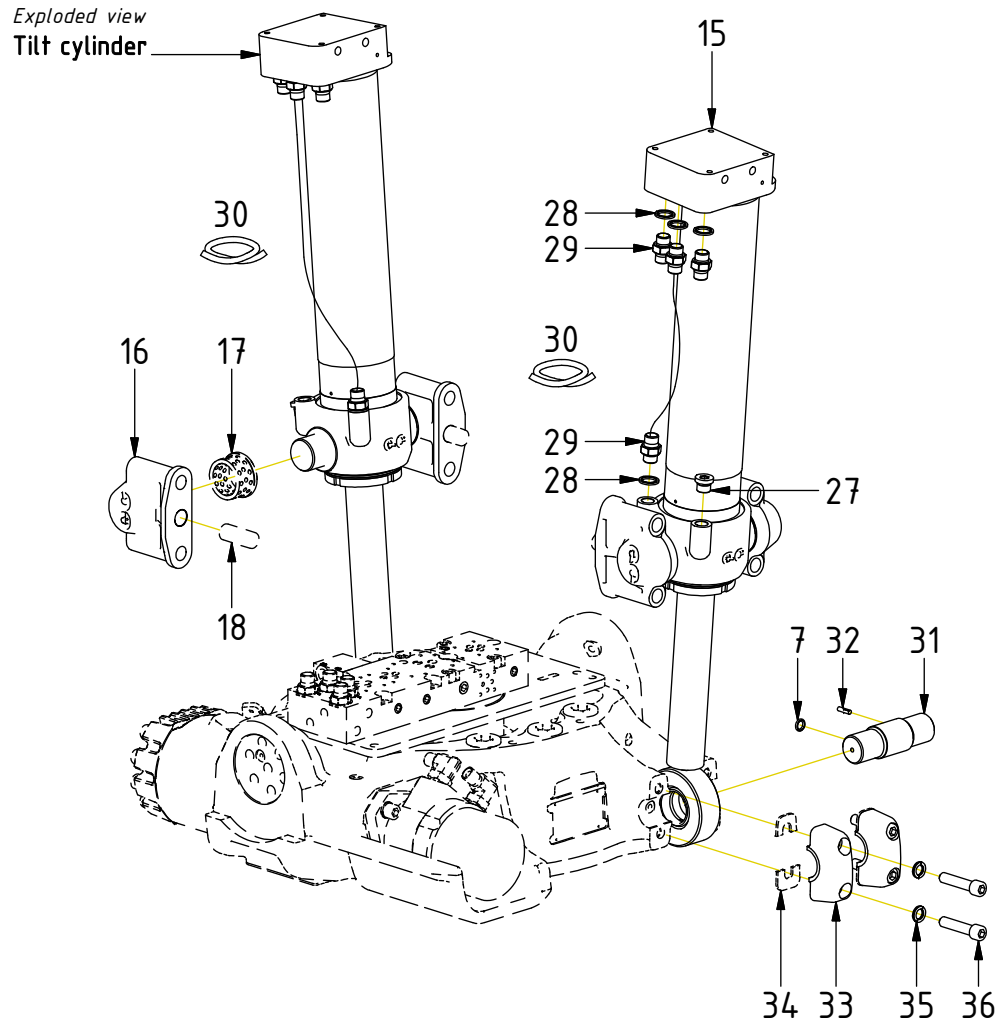
POS	DESCRIPTION	PART	QTY	COMMENTS
1	Seal PAK-110x125x7-L	1064201	1	NB! Face groove toward top part (Incl. in Top part)
2	Bushing Ø85/90x35 WB802	630321	2	(Incl. in Top part)
3	Shims tilt axle	1016420	1	Use as required
4	Tilt axial washer	1016417	1	
5	Washer NL 8mm	611040	16	
6	Screw MC6S M8x40 12.9 ZFSL	6000145	2	
7	O-ring 9,92x2,62	710968	4	QTY: 8 for option Wide
8	Tilt axle EC219	1064196	2	
9	Screw MC6S M16x90 12.9 ZFSL	6000151	14	Torque: 333Nm
10	Magnet spacer tilt axle	1064202	1	For EC219S
11	Screw MC6S M4x14 8,8 FZB	610420	1	For EC219S
12	Cover Tilt Axle EC219 Cast	1065799	1	For EC219S
13	Protection plate tiltaxle EC219	1064717	1	For EC219/EC219PS Face the groove downwards
14	Screw MC6S M8x20 12.9 ZFSL	6000157	6	
74	Axle rotator arm	1011553	2	
75	Rotator arm compl. QS60	1040537	2	Instead of tilt cylinders



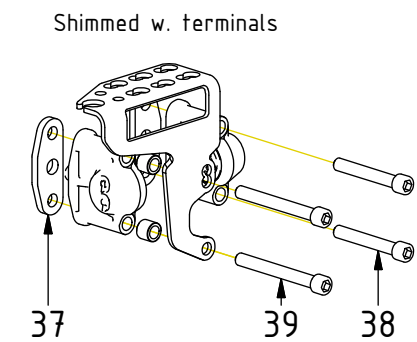
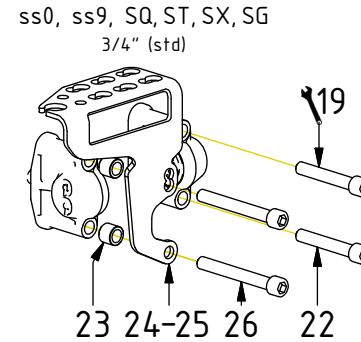
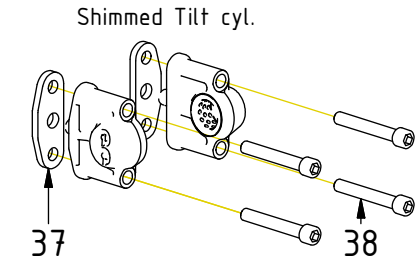
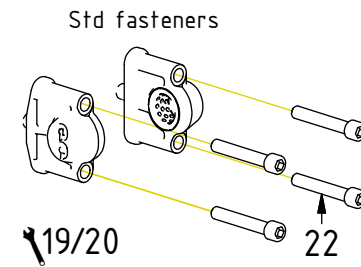
EC219 ECHF - Std. Top components

POS in order of assembly

Standard

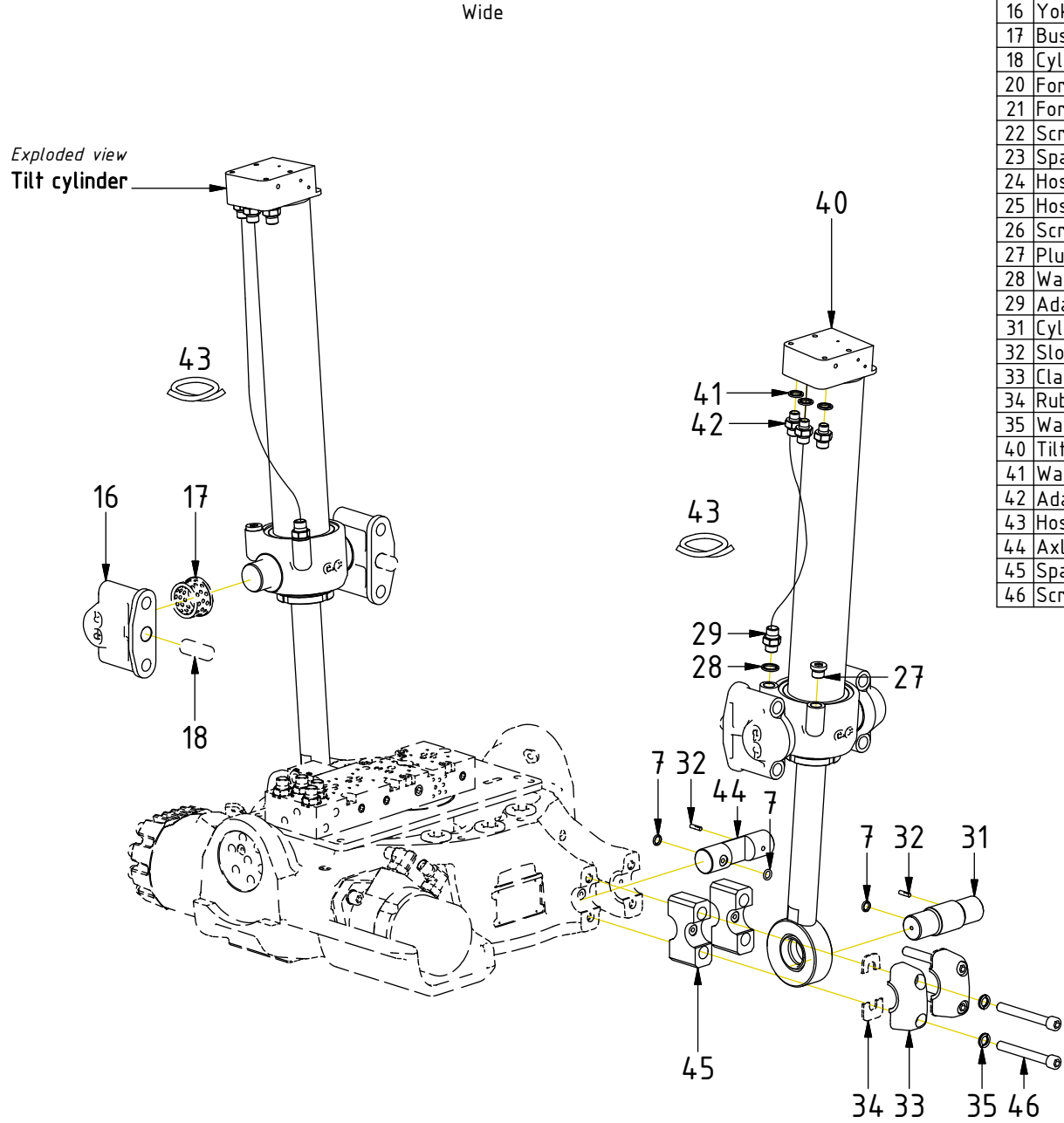


POS	DESCRIPTION	PART	QTY	COMMENTS
7	O-ring 9,92x2,62	710968	4	QTY: 8 for option Wide
15	Tilt cylinder EC219	1070275	2	
16	Yoke EC219 complete	1017151	4	(POS.17-18 incl.)
17	Bushing 40/50/55/5-30	631001	4	
18	Cylindrical pin ø20x50	650211	4	
19	For QS60 w/o ECO			See "Top part"
20	For Feed 1/2" (option)			See "Top part"
22	Screw MC6S M16x100 12.9 ZFSL	6000156	8	QTY depends (4-8). Torque: 333Nm
23	Spacer 20mm	1023777	4	
24	Hose terminal 8-hoses Left V2	1047137	1	
25	Hose terminal 8-hoses Right V2	1047138	1	
26	Screw MC6S M16x130 12.9 ZFSL	6000154	4	Torque: 333Nm
27	Plug 70125-06 (3/8")	711504	2	
28	Washer GBR06 3/8	710703	8	QTY: 2 for option Wide
29	Adapter 136-06-06 (3/8")	710106	8	QTY: 2 for option Wide
30	Hose Tilt Short	742606	2	
31	Cylinder axle ø40	1016398	2	
32	Slotted pin 5x20	640413	2	QTY: 4 for option Wide
33	Clamping half 35 Complete	1016393	4	(POS.34 incl.)
34	Rubber spacer clamping half	1016439	4	
35	Washer NL 12mm	611042	8	
36	Screw MC6S M12x55 12.9 ZFSL	6000155	8	Torque: 136Nm
37	Shim Yoke bracket	1007041	4	For option Shimmed Tilt cyl.
38	Screw MC6S M16x110 12.9 ZFSL	6000253	4	QTY depends (4-8). Torque: 333Nm
39	Screw MC6S M16x140 12.9 ZFSL	6000152	4	Torque: 333Nm

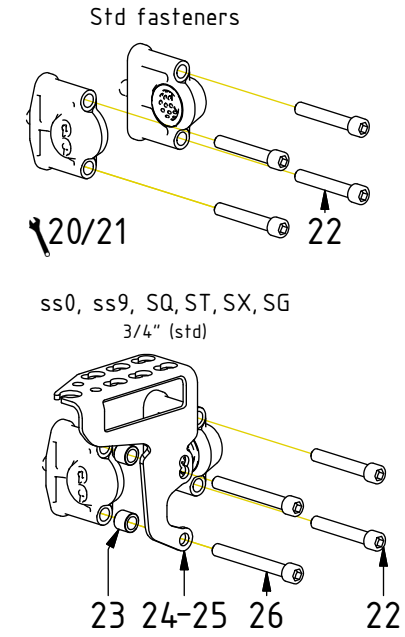


EC219 ECHF - Std. Top components

POS in order of assembly



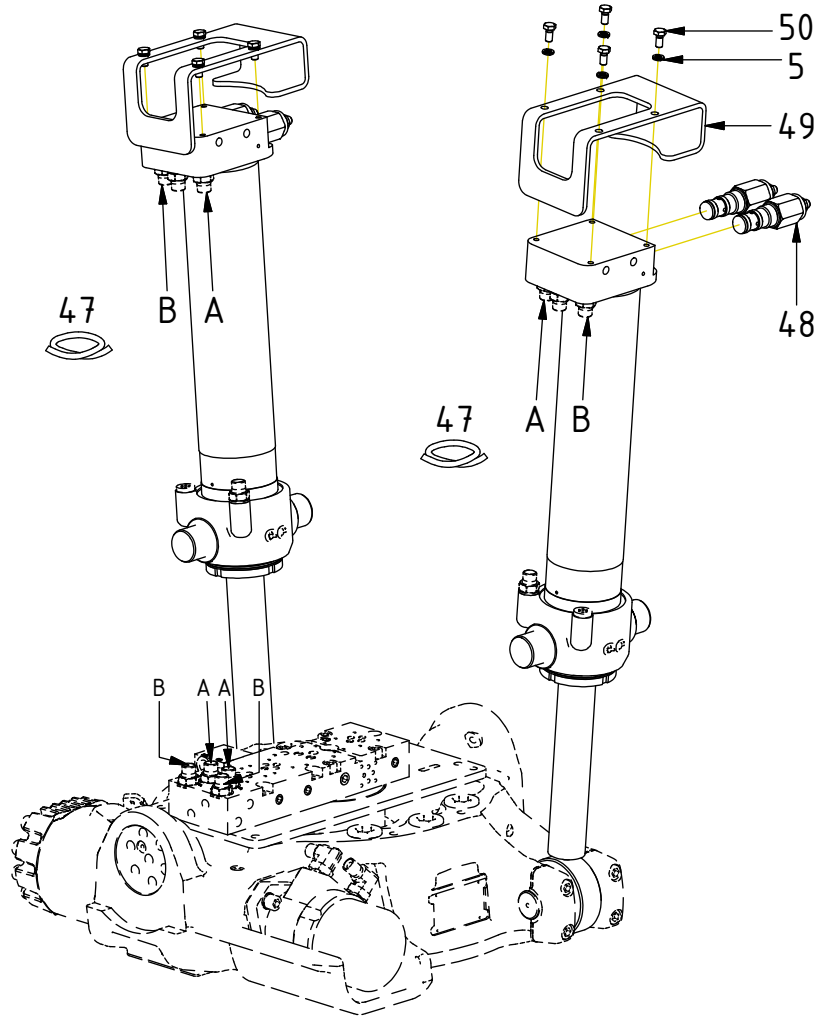
POS	DESCRIPTION	PART	QTY	COMMENTS
7	O-ring 9,92x2,62	710968	4	QTY: 8 for option Wide
16	Yoke EC219 complete	1017151	4	(POS.17-18 incl.)
17	Bushing 40/50/55/5-30	631001	4	
18	Cylindrical pin ø20x50	650211	4	
20	For Feed 1/2" (option)			See "Top part"
21	For T620V			See "Top part"
22	Screw MC6S M16x100 12.9 ZFSHL	6000156	8	QTY depends (4-8). Torque: 333Nm
23	Spacer 20mm	1023777	4	
24	Hose terminal 8-hoses Left V2	1047137	1	
25	Hose terminal 8-hoses Right V2	1047138	1	
26	Screw MC6S M16x130 12.9 ZFSHL	6000154	4	Torque: 333Nm
27	Plug 70125-06 (3/8")	711504	2	
28	Washer GBR06 3/8	710703	8	QTY: 2 for option Wide
29	Adapter 136-06-06 (3/8")	710106	8	QTY: 2 for option Wide
31	Cylinder axle ø40	1016398	2	
32	Slotted pin 5x20	640413	2	QTY: 4 for option Wide
33	Clamping half 35 Complete	1016393	4	(POS.34 incl.)
34	Rubber spacer clamping half	1016439	4	
35	Washer NL 12mm	611042	8	
40	Tilt cylinder EC219 Wide	1023811	2	
41	Washer GBR04 1/4	710702	8	
42	Adapter 135-04-06 (1/4"-3/8")	710118	6	
43	Hose Tilt Short Wide	7000563	2	
44	Axle for spacer Wide	1016534	2	
45	Spacer tilt cylinder Wide	1016533	4	
46	Screw MC6S M12x100 12.9 ZFSHL	611514	8	Torque: 136Nm



TILT
Standard

POS	DESCRIPTION	PART	QTY	COMMENTS
5	Washer NL 8mm	611040	16	
47	Hose Tilt Long	7000027	4	
48	Overcentre valve 4:1	730277	4	Torque: 60Nm
49	Hose protection Tiltcylinder	1014280	2	
50	Screw M6S M8x16 8,8 FZB	610122	8	

POS in order of assembly

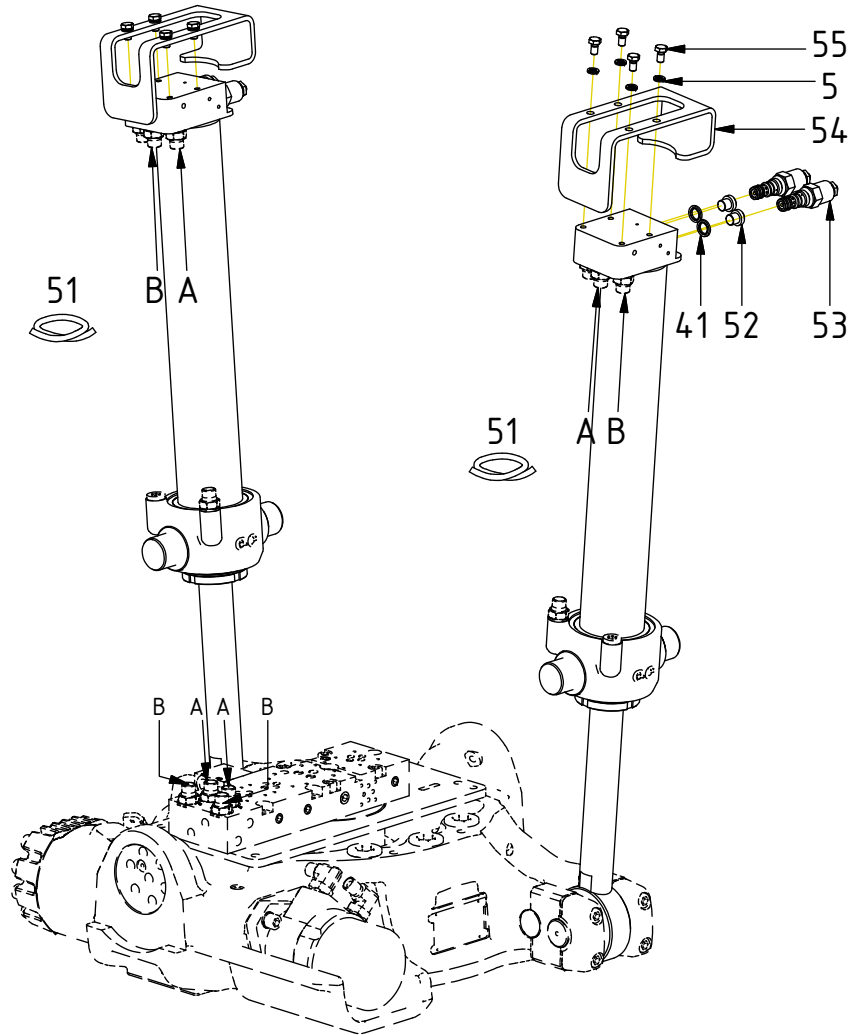


EC219 ECHF - Std. Top components

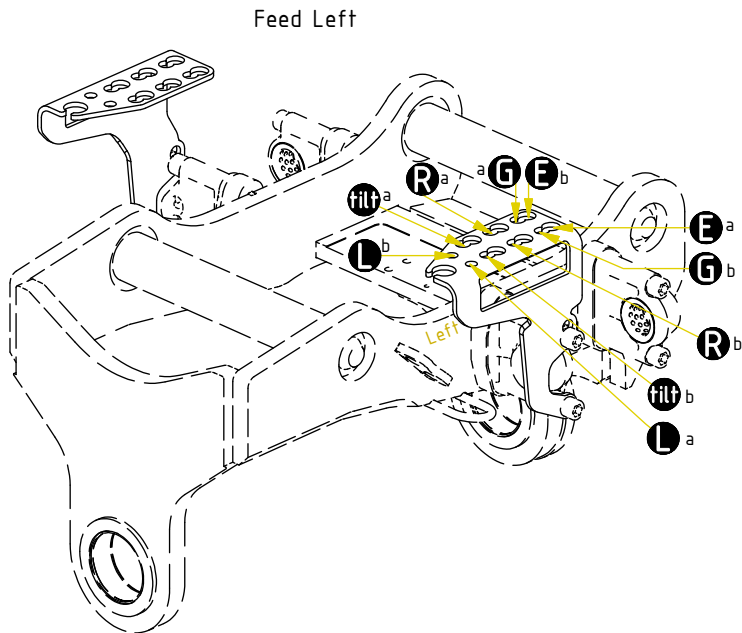
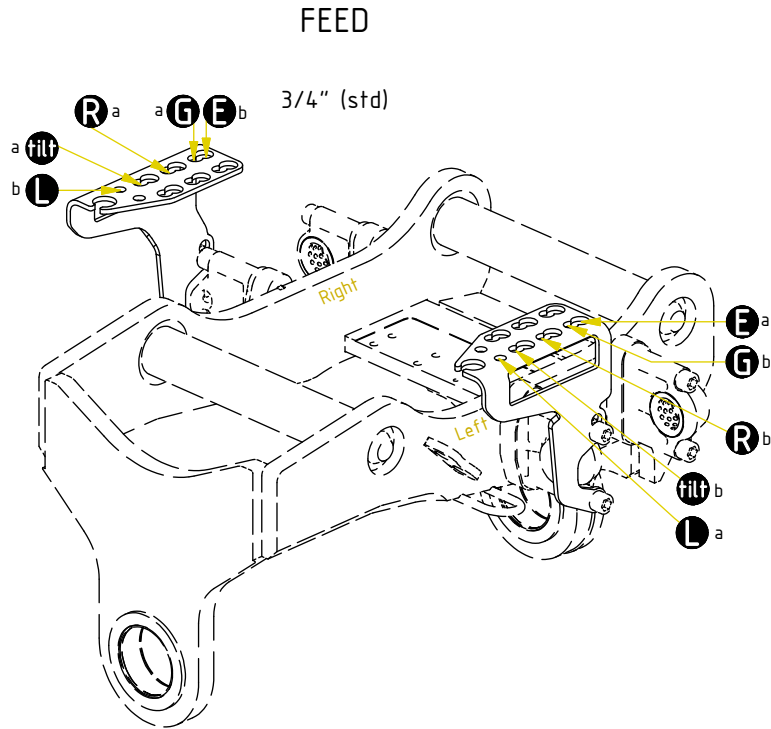
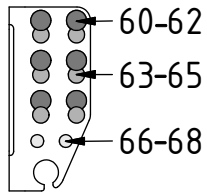
TILT
Wide

POS	DESCRIPTION	PART	QTY	COMMENTS
5	Washer NL 8mm	611040	16	
41	Washer GBR04 1/4	710702	8	
51	Hose Tilt Long Wide	7000031	4	
52	Plug 1/4"	711505	4	
53	Overcentre valve 10:1 adjustable	730269	4	Torque: 45Nm
54	Hose protection Tiltcylinder Wide	1003774	2	
55	Screw M6S M8x14 8,8 FZB	610188	8	

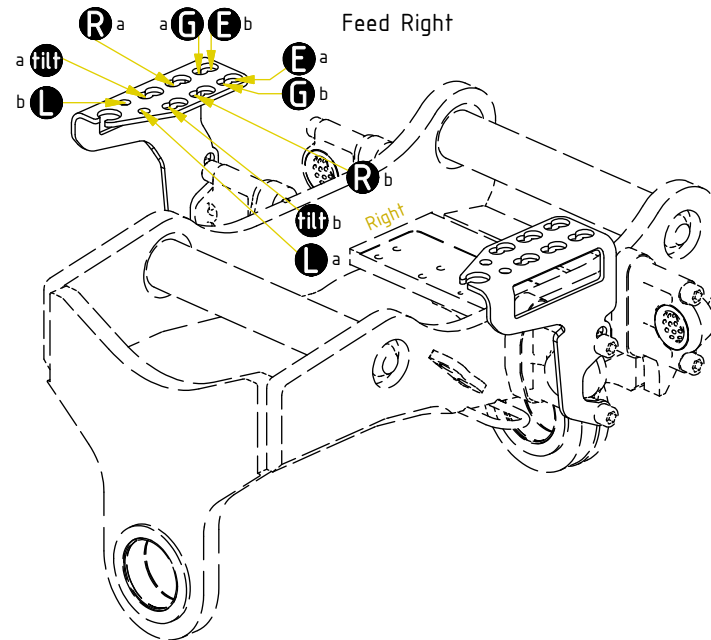
POS in order of assembly



EC219 ECHF - Std. Top components



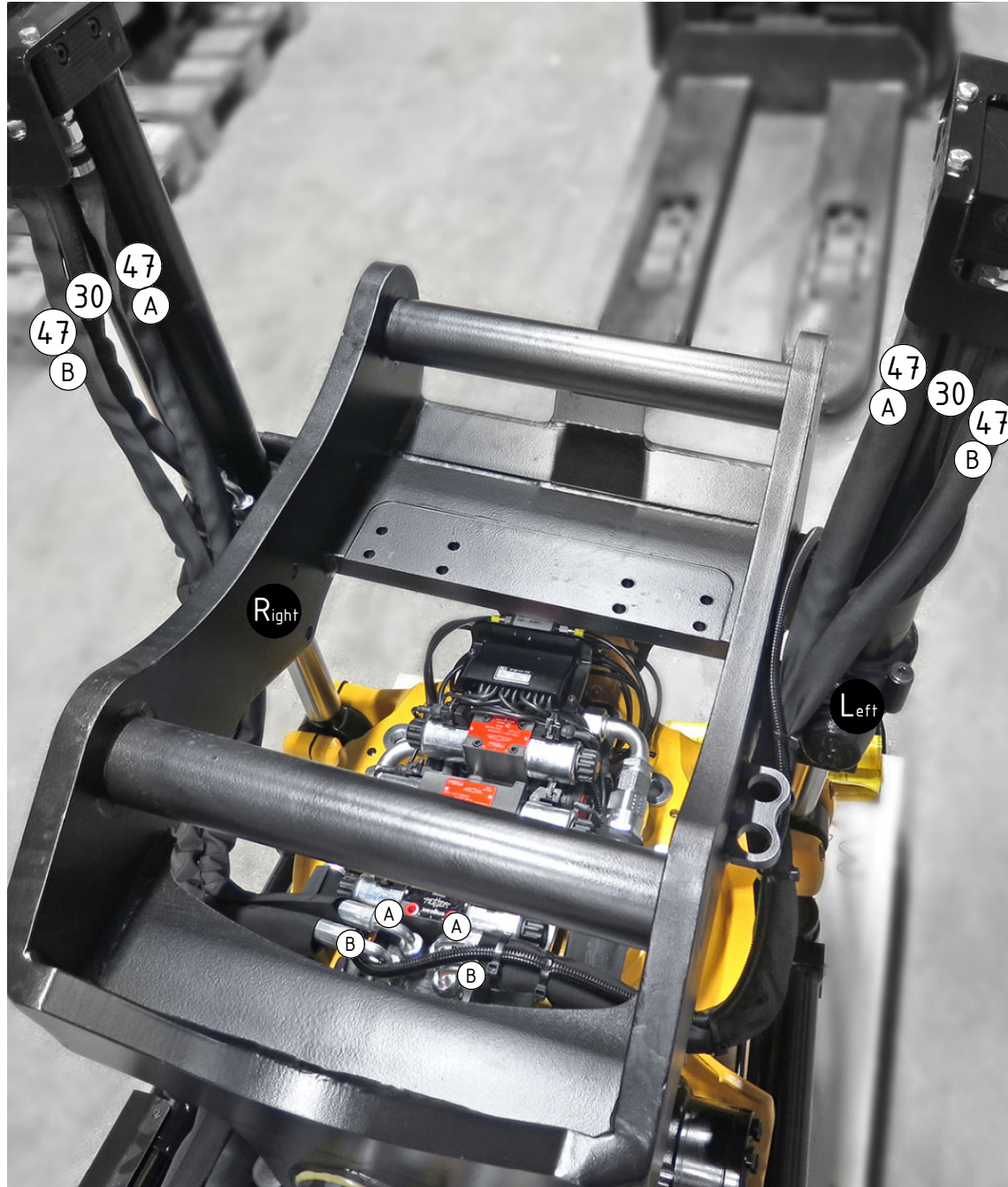
POS	DESCRIPTION	PART	QTY	COMMENTS
56	Main Feed T&P depends on top part			See "Top part"
57	For Feed 1/2" (option)			See "Top part"
58	For Menzi Muck			See "Top part"
59	For Functions & Feed Hoses			See "Control system"
60	Washer NL 20mm	611098	2	
61	Adapter 1260-08-08 (1/2")	710244	2	
62	Counternut 1270-08 (1/2")	710254	2	
63	Washer NL 16mm	611044	2	
64	Adapter 1260-06-32 (3/8")	710242	2	
65	Counternut 1270-06 (3/8")	710252	2	
66	Washer NL 1/2"	611096	2	
67	Adapter 1260-04-04 (1/4")	710240	2	
68	Counternut 1270-04 (1/4")	710250	2	



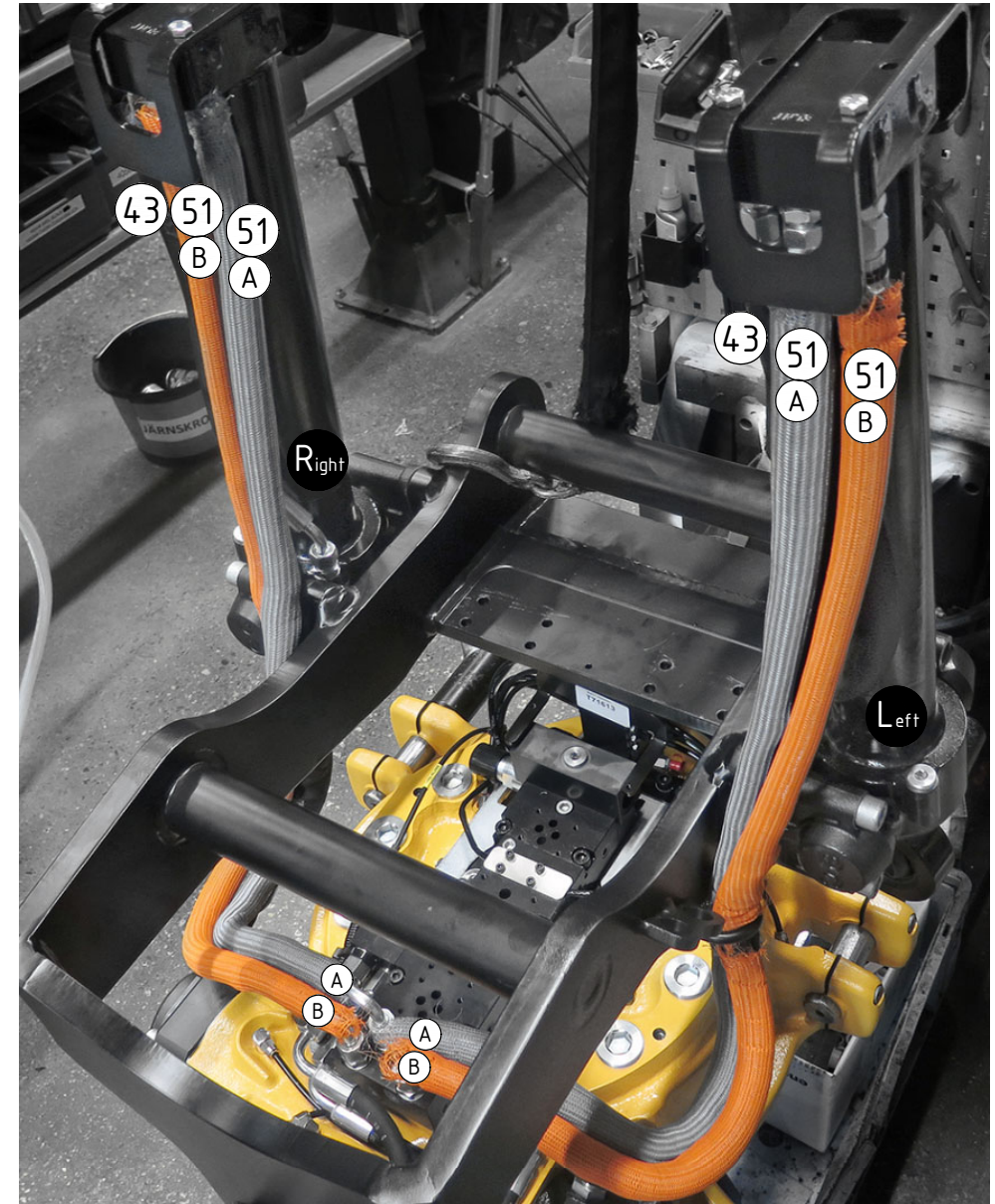
POS in order of assembly

TILT
Standard

POS	DESCRIPTION	PART	QTY	COMMENTS
30	Hose Tilt Short	742606	2	
43	Hose Tilt Short Wide	7000563	2	
47	Hose Tilt Long	7000027	4	
51	Hose Tilt Long Wide	7000031	4	



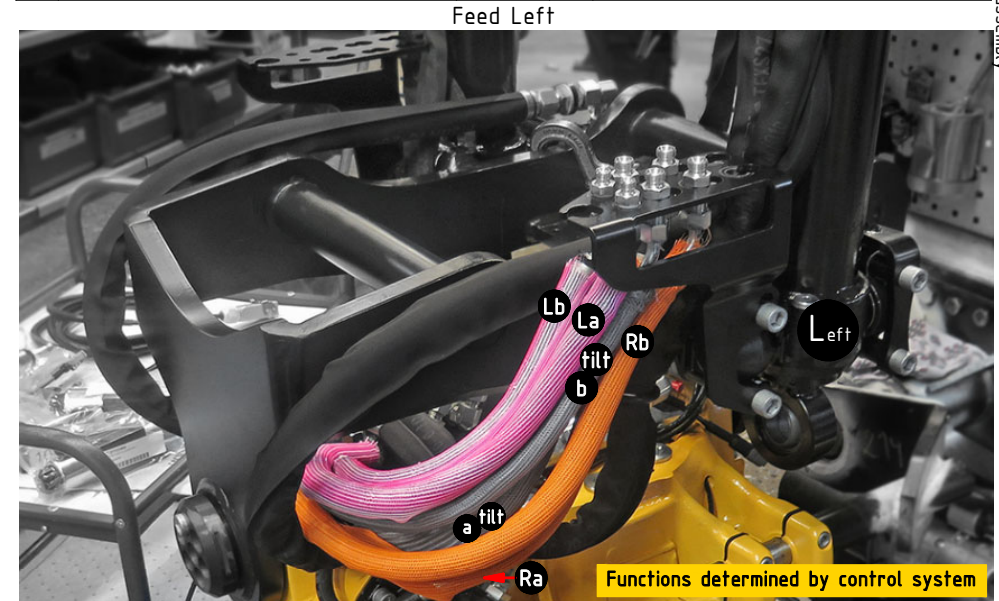
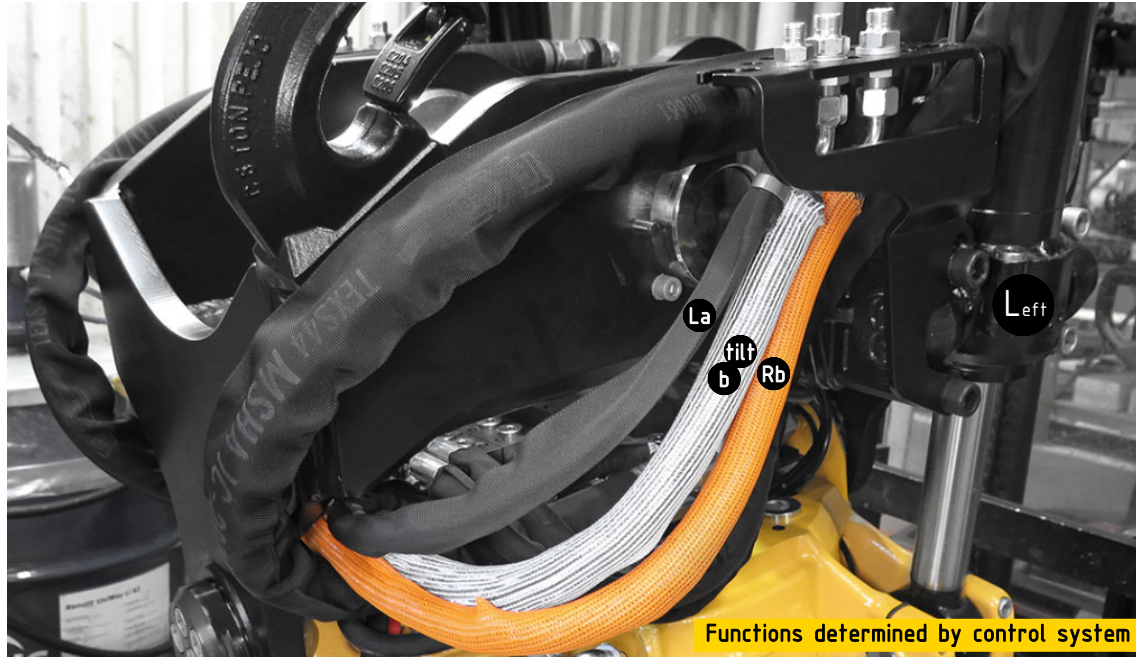
Wide



POS in order of assembly

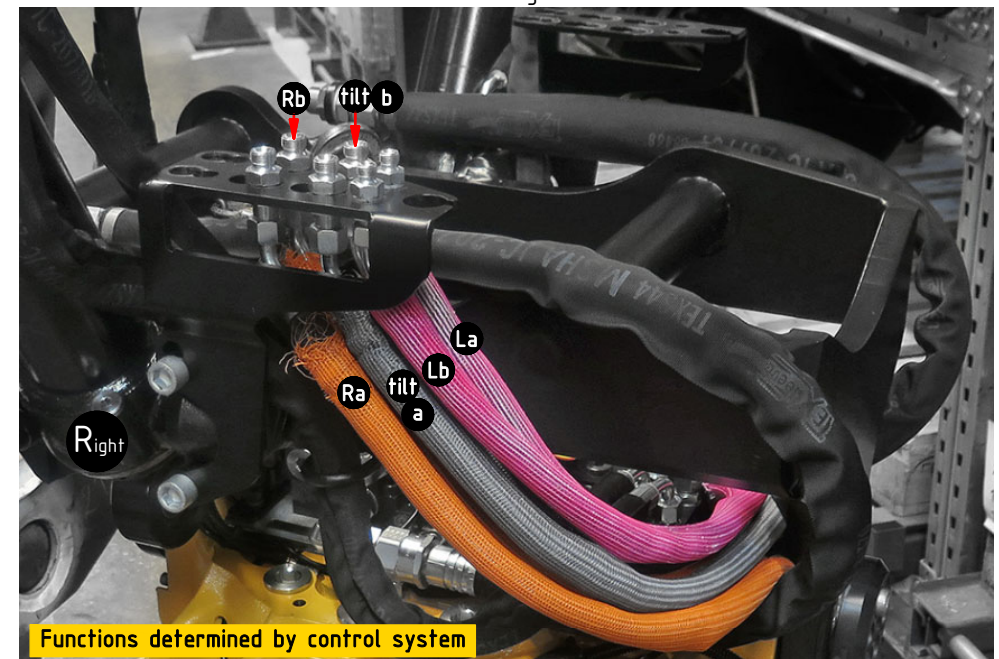
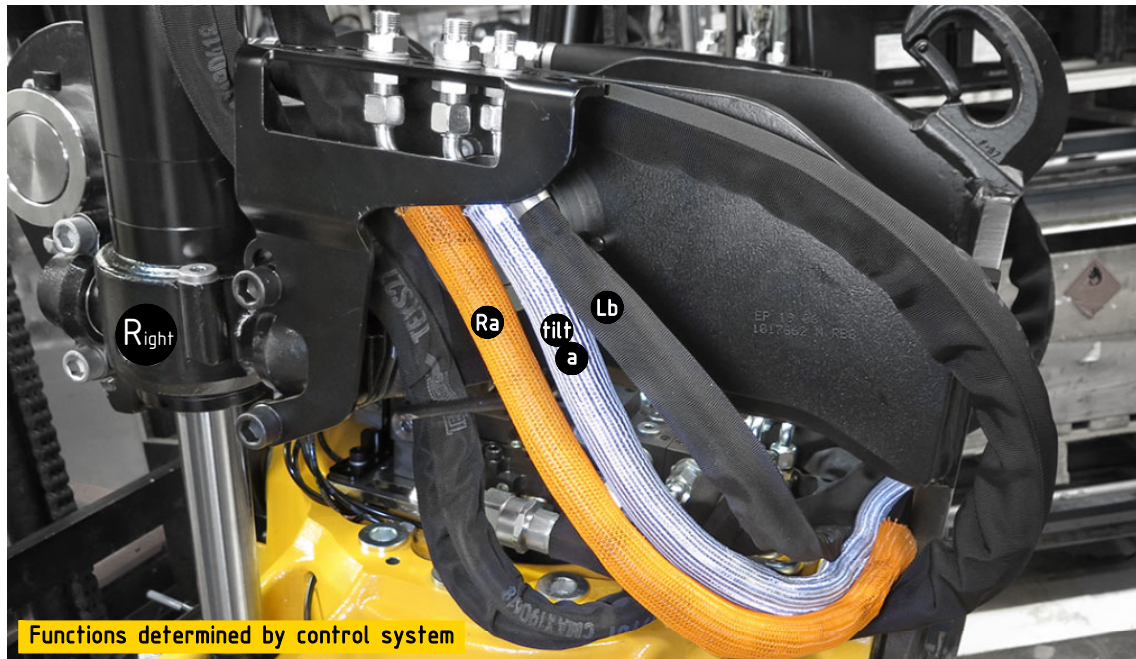
FEED
3/4" (std)

POS	DESCRIPTION	PART	QTY	COMMENTS
56	Main Feed T&P depends on top part			See "Top part"
57	For Feed 1/2" (option)			See "Top part"
58	For Menzi Muck			See "Top part"
59	For Functions & Feed Hoses			See "Control system"



Feed Left

Feed Right

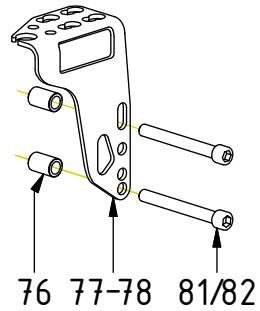


POS in order of assembly

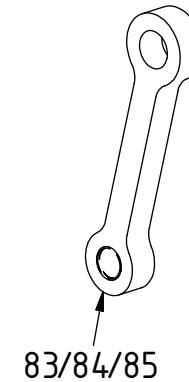
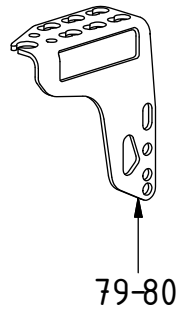
SPARE PARTS

Replaced from 2018-05

ss0, ss9, SQ, ST, SX, SG



ss0 Grab



POS	DESCRIPTION	PART	QTY	COMMENTS
23	Spacer 20mm	1023777	4	
24	Hose terminal 8-hoses Left V2	1047137	1	
25	Hose terminal 8-hoses Right V2	1047138	1	
26	Screw MC6S M16x130 12.9 ZFSL	6000154	4	Torque: 333Nm
37	Shim Yoke bracket	1007041	4	For option Shimmed Tilt cyl.
76	Spacer terminal 39mm	1005911	4	Replaced by POS.23 from 2018-05
77	Hose terminal 6 holes left	1005725	1	Replaced by POS.24 from 2018-05
78	Hose terminal 6 holes right	1005726	1	Replaced by POS.25 from 2018-05
79	Hose terminal 8 hoses left	1038105	1	Replaced by POS.24 from 2018-05
80	Hose terminal 8 hoses right	1038106	1	Replaced by POS.25 from 2018-05
81	Screw MC6S M16x140 12.9	610576	4	Replaced by POS.26 from 2018-05
82	Screw MC6S M16x150 12.9	610537	4	For option Shimmed Tilt cyl.
83	Rotator arm compl. UNI	1024491	2	Instead of tilt cylinders
84	Rotator arm compl. S1	1023932	2	Instead of tilt cylinders
85	Rotator arm compl. VTN	1041919	2	Instead of tilt cylinders

POS in order of assembly