

COVERSHEET

Planned document changes:

Briefly:

EC219S: add tilt axle cover 1065799 with washers+screws 611040+6000157.
 EC219/EC219PS: add protection plate 1064717 instead of 1065799.
 POS.7 replaced by 1064196 (fully backwards compatible).

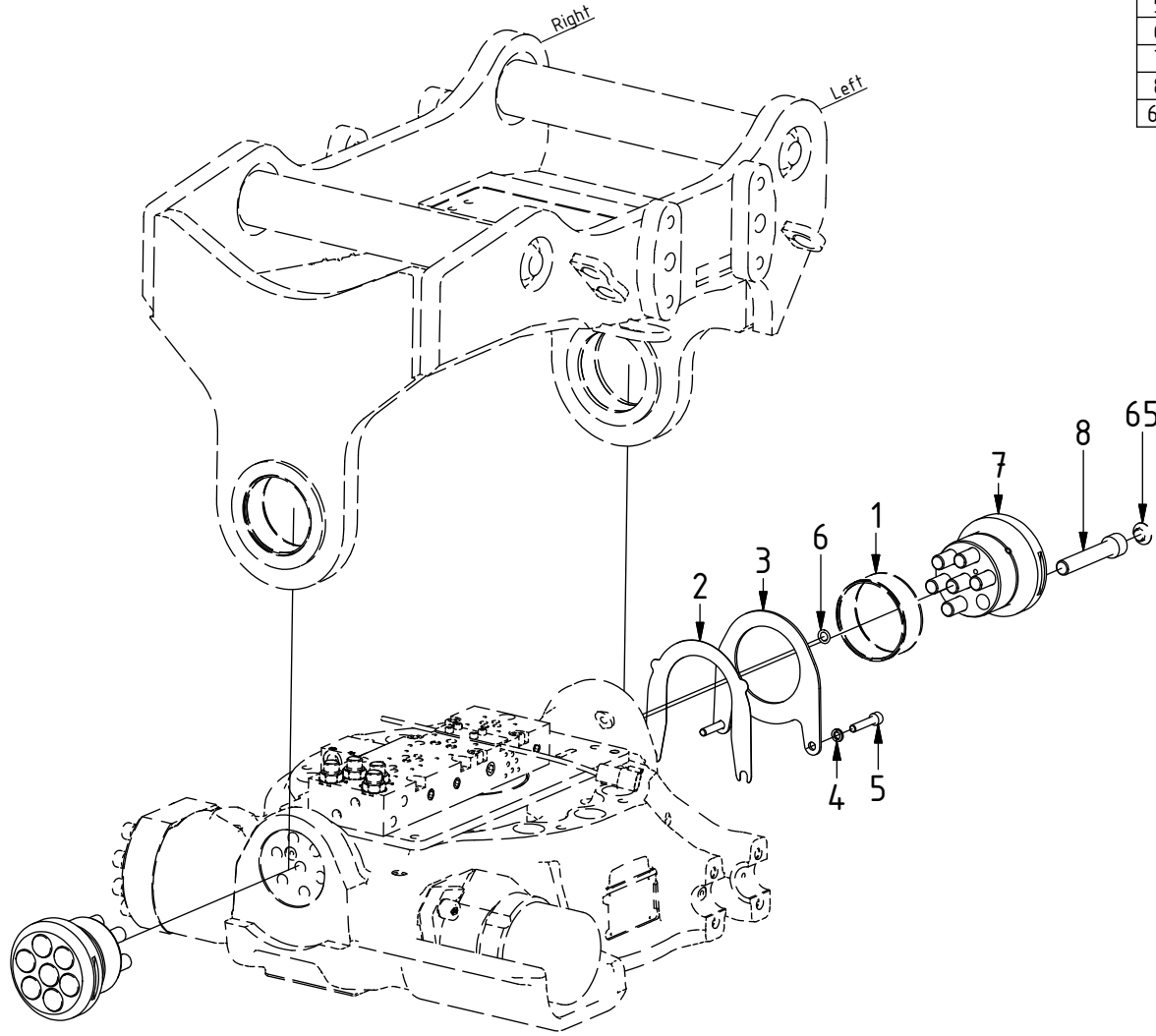
Add seal 1064201. Comment: **Face groove toward top part**

Document changes:

Date:	Change:	Rev. after change:
2022-03-17	References for T620V corrected.	M
2020-10-15	Screw lengths corrected. Photo replaced.	L
2019-10-02	Photos added.	K
2019-01-07	New terminalplacement.	J
2018-09-13	Screw quality added. Fastener references corrected.	I
2018-08-27	Reference for Menzi Muck added.	H
2018-05-14	New universal terminal, spare parts page added.	G
2018-02-12	Added option Shimmed Tilt cylinder.	F
2017-10-05	Layout/irrelevant.	E
2017-09-08	Clarification about SQ, ST, SX terminals.	D
2017-08-30	Hoses for Wide updated.	C
2017-08-24	Reference for EC219R & 1/2" FEED ss0 & ST added.	B
2017-08-15	Reference for 1/2" FEED added. Partslist updated.	A
2017-08-08	New instruction.	-

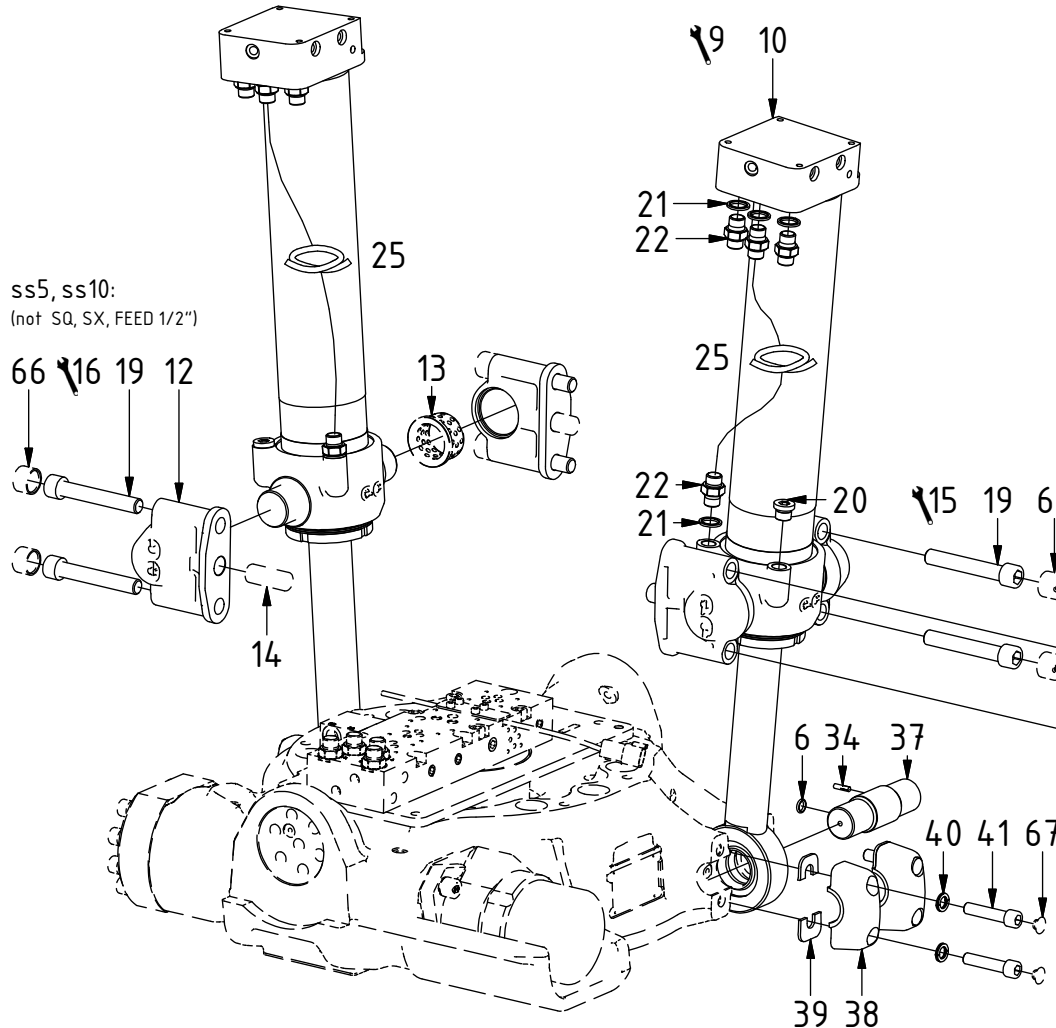
EC219 ECHF - Std Top part components

POS	DESCRIPTION	PART	QTY	COMMENTS
1	Bushing 85/90x35	630321	2	(Included in Top part)
2	Shims tilt axle	1016420	1	Use if required
3	Tilt axial washer	1016417	1	
4	Washer NL8	611040	10	QTY: 8 part of Tilt cylinder
5	MC6S M8x40 12.9 ZFSLH	6000145	2	
6	O-ring 9,92x2,62	710968	4	QTY: 8 for option Wide
7	Tilt axle EC214,EC219	1016416	2	
8	MC6S M16x90 12.9 ZFSLH	6000151	14	Torque: 333Nm
65	Screw Cover M16 Cast yoke	1004801	14	Part of make up



EC219 ECHF - Std Top part components

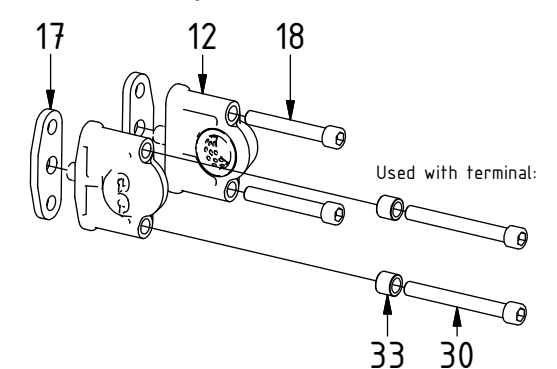
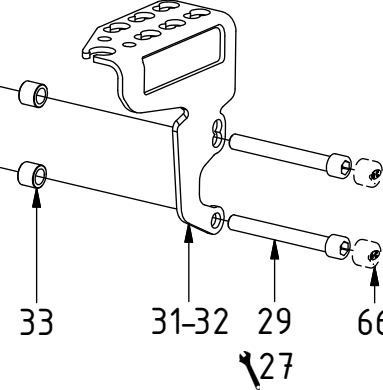
Standard



POS	DESCRIPTION	PART	QTY	COMMENTS
6	O-ring 9,92x2,62	710968	4	QTY: 8 for option Wide
9	For EC219R: QS60, S1, UNI, VTN			See separate instruction
10	Tilt cylinder EC219	1019892	2	See "Tilt cylinders"
12	Yoke bracket	1017151	4	(POS.13-14 included)
13	Bushing 40/50/55/5-30	631001	4	
14	Cylindrical pin CPK ø20x50	650211	4	
15	For QS60			See separate instruction
16	For CW30, SMP2			See separate instruction
17	Shim Yoke bracket	1007041	4	For option Shimmed Tilt cylinder
18	MC6S M16x110 12.9 ZFSHL	6000253	8	QTY depends (4-8). Torque: 333Nm
19	MC6S M16x100 12.9 ZFSHL	6000156	8	QTY depends (4-8). Torque: 333Nm
20	Plug 3/8"	711504	6	QTY: 4 part of Tilt cylinder
21	Washer GBR06 (3/8")	710703	8	QTY: 2 for option Wide
22	Adapter 136-06-06 (3/8")	710106	8	QTY: 2 for option Wide
25	Hose Tilt Short	742606	2	
27	For S1, SW33LF, CW30, SMP2			See separate instruction
29	MC6S M16x130 12.9 ZFSHL	6000154	4	Torque: 333Nm
30	MC6S M16x140 12.9 ZFSHL	6000152	4	Torque: 333Nm
31	Hose terminal 8-holes Left V2	1047137	1	
32	Hose terminal 8-holes Right V2	1047138	1	
33	Spacer terminal 20mm	1023777	4	
34	Slotted pin RPE 5x20	640413	2	QTY: 4 for option Wide
37	Cylinder axle	1016398	2	
38	Clamping half Complete	1016393	4	(POS.39 included)
39	Rubber spacer clamping half	1016439	4	
40	Washer NL 12mm	611042	8	
41	MC6S M12x55 12.9 ZFSHL	6000155	8	Torque: 136Nm
66	Screw Cover M16	611302	8	Part of make up
67	Screw Cover M12 Clamping half	1018621	8	Part of make up

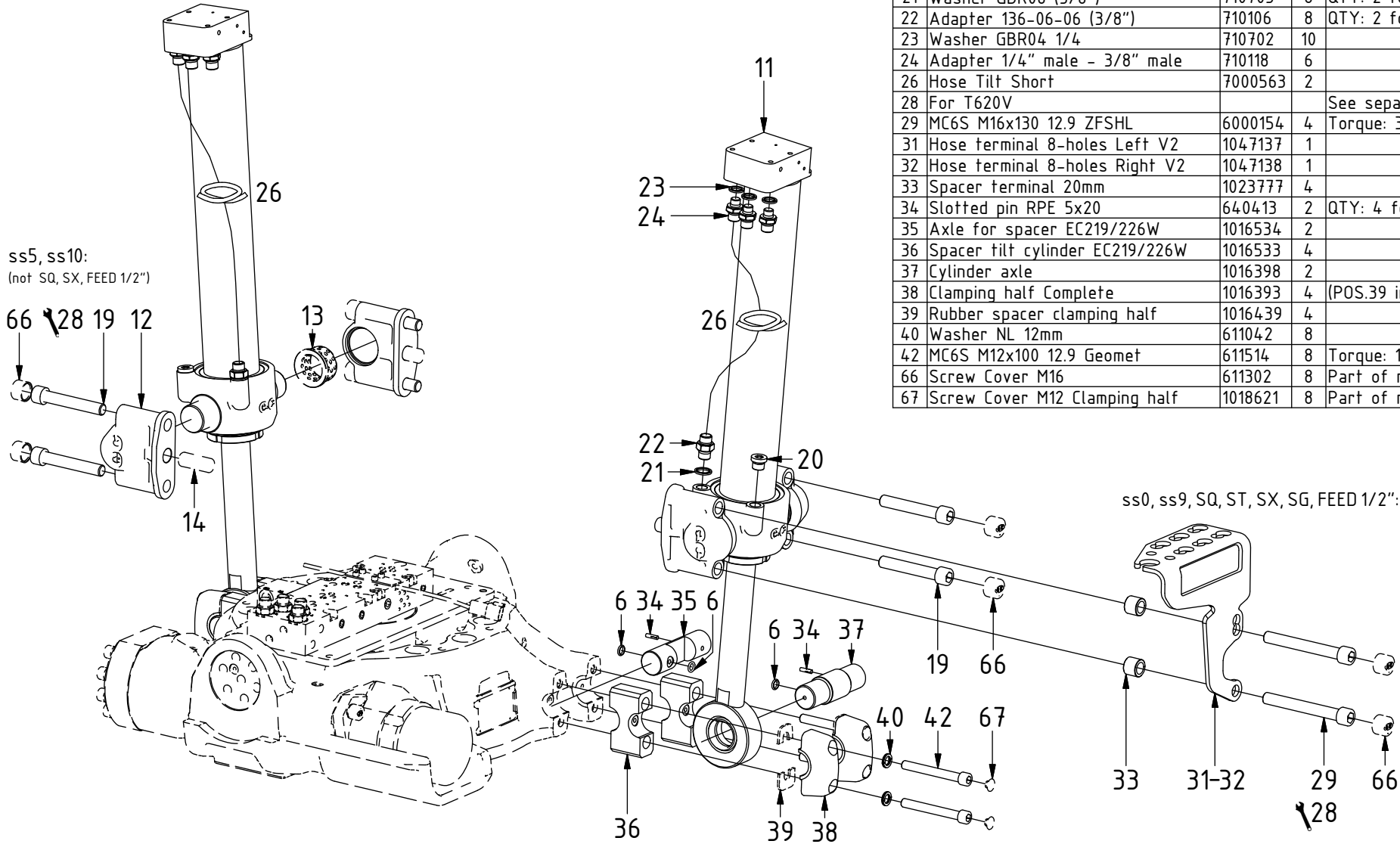
ss0,ss9,SQ,ST,SX,SG,FEED 1/2":

Shimmed Tilt cylinder:



EC219 ECHF - Std Top part components

Wide



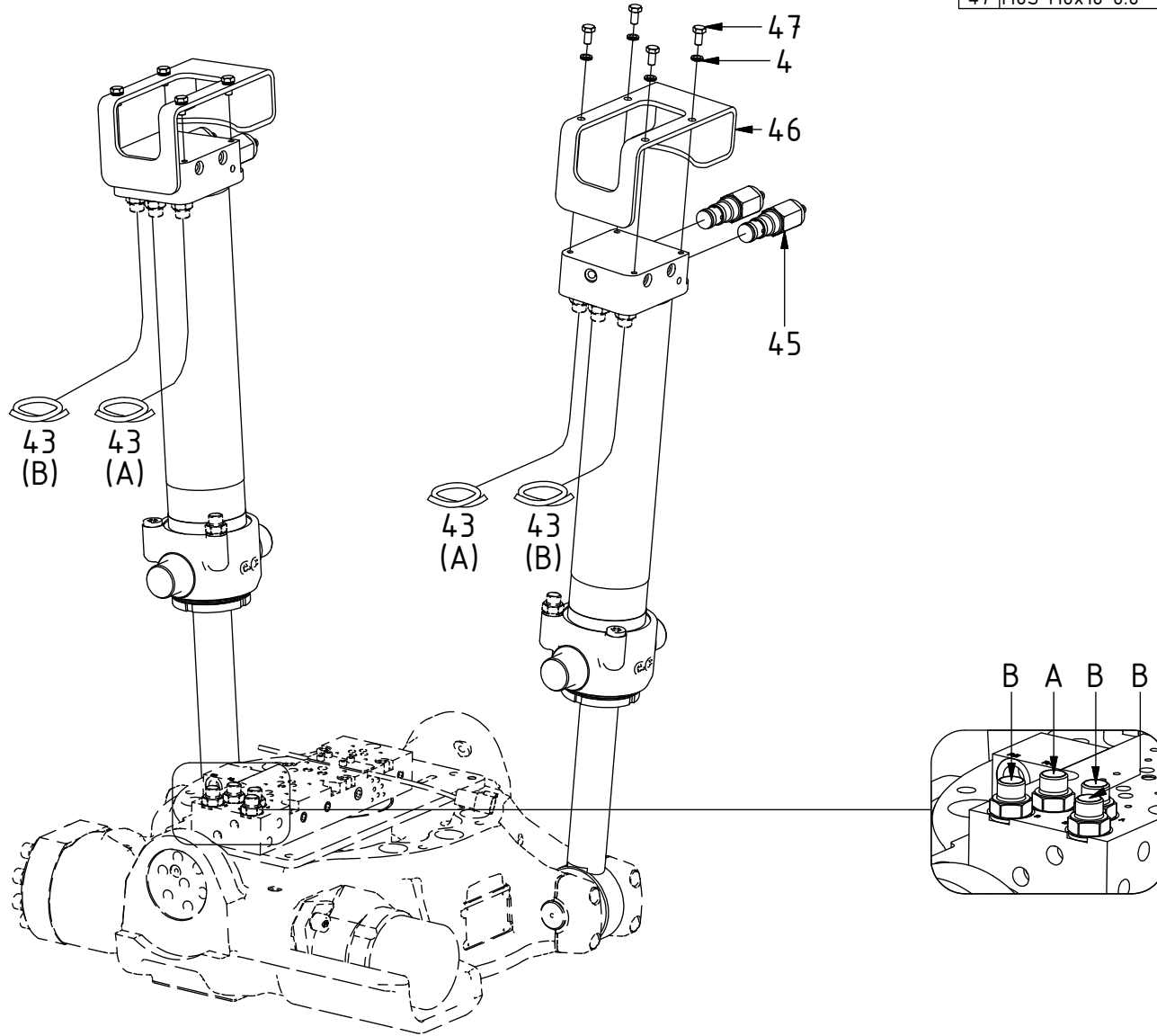
POS	DESCRIPTION	PART	QTY	COMMENTS
6	O-ring 9,92x2,62	710968	4	QTY: 8 for option Wide
11	Tilt cylinder EC219/226 Wide	1023811	2	See "Tilt cylinders"
12	Yoke bracket	1017151	4	(POS.13-14 included)
13	Bushing 40/50/55/5-30	631001	4	
14	Cylindrical pin CPK ø20x50	650211	4	
19	MC6S M16x100 12.9 ZFSHL	6000156	8	QTY depends (4-8). Torque: 333Nm
20	Plug 3/8"	711504	6	QTY: 4 part of Tilt cylinder
21	Washer GBR06 (3/8")	710703	8	QTY: 2 for option Wide
22	Adapter 136-06-06 (3/8")	710106	8	QTY: 2 for option Wide
23	Washer GBR04 1/4	710702	10	
24	Adapter 1/4" male - 3/8" male	710118	6	
26	Hose Tilt Short	7000563	2	
28	For T620V			See separate instruction
29	MC6S M16x130 12.9 ZFSHL	6000154	4	Torque: 333Nm
31	Hose terminal 8-holes Left V2	1047137	1	
32	Hose terminal 8-holes Right V2	1047138	1	
33	Spacer terminal 20mm	1023777	4	
34	Slotted pin RPE 5x20	64.04.13	2	QTY: 4 for option Wide
35	Axle for spacer EC219/226W	1016534	2	
36	Spacer tilt cylinder EC219/226W	1016533	4	
37	Cylinder axle	1016398	2	
38	Clamping half Complete	1016393	4	(POS.39 included)
39	Rubber spacer clamping half	1016439	4	
40	Washer NL 12mm	611042	8	
42	MC6S M12x100 12.9 Geomet	611514	8	Torque: 136Nm
66	Screw Cover M16	611302	8	Part of make up
67	Screw Cover M12 Clamping half	1018621	8	Part of make up

EC219 ECHF - Std Top part components

TILT
Standard

POS	DESCRIPTION	PART	QTY	COMMENTS
4	Washer NL8	611040	10	QTY: 8 part of Tilt cylinder
43	Hose Tilt Long	7000027	4	
45	Overcentre valve 4:1	730277	Torque: 60Nm	
46	Hose protection Tiltcyl.	1014280	2	
47	M6S M8x16 8.8	610122	8	

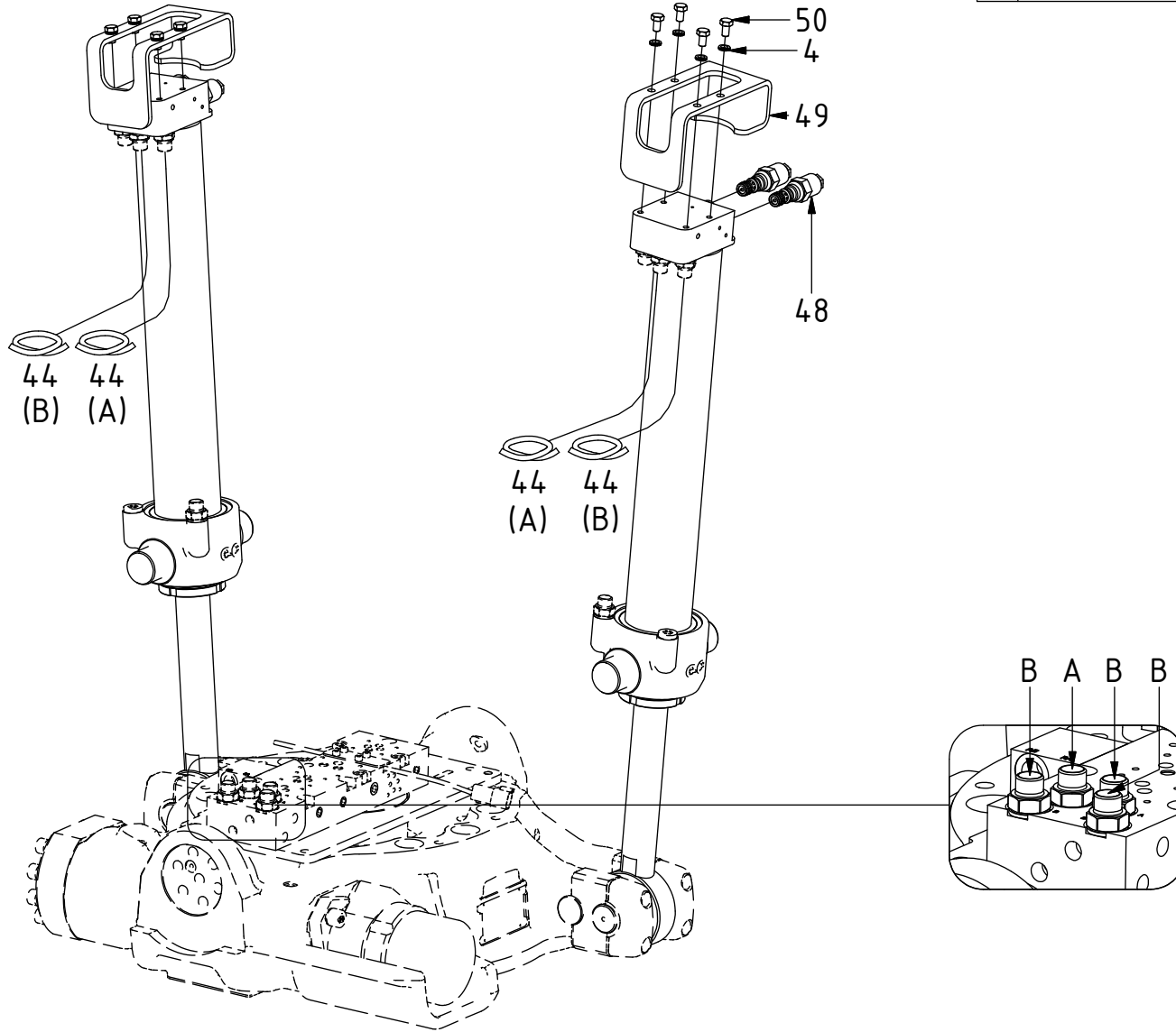
POS in order of assembly



EC219 ECHF - Std Top part components

TILT
Wide

POS	DESCRIPTION	PART	QTY	COMMENTS
4	Washer NL8	611040	10	QTY: 8 part of Tilt cylinder
44	Hose Tilt Long Wide	7000031	4	
48	Overcentre valve 10:1 adjustable	730269	4	Torque: 45Nm
49	Hose protection Tiltcyl.	1003774	2	
50	M6S M8x14 8.8	610188	8	



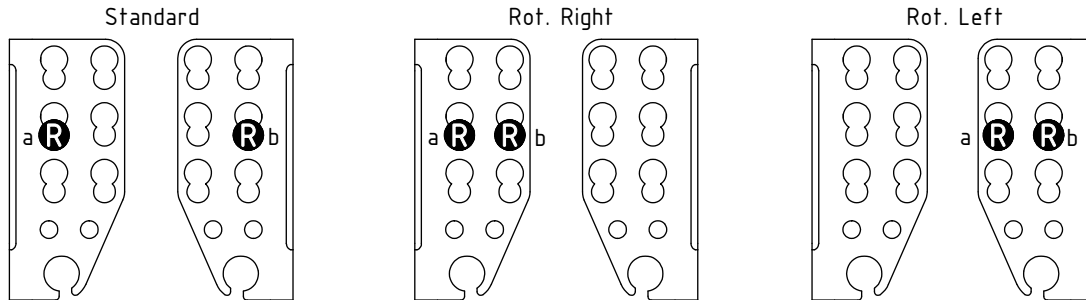
EC219 ECHF - Std Top part components

Drawing No: 1039703 /M

- R** = 53
- L** = 57
- filT** = 53
- G** = 53
- E** = 61

FEED 3/4" (Std)

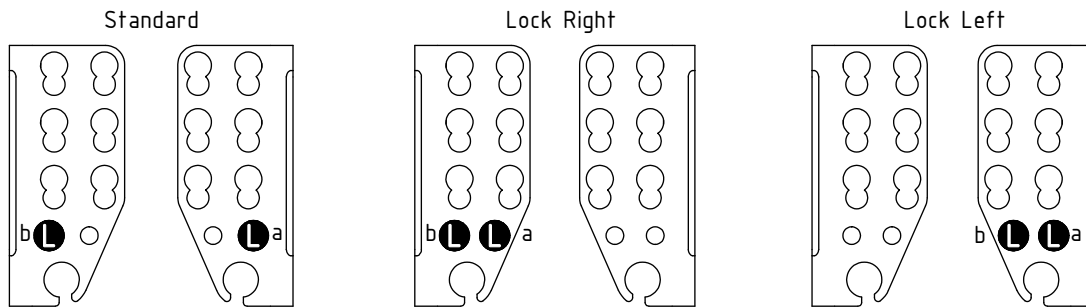
Rotation



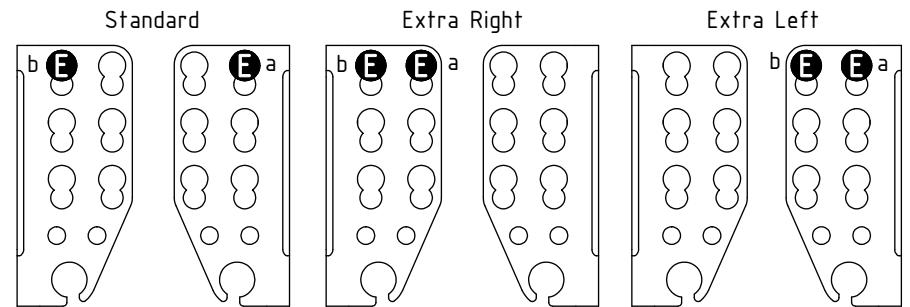
POS	DESCRIPTION	PART	QTY	COMMENTS
51	For Menzi Muck			See separate instruction
52	For FEED 1/2": QS60, Lännen, Huddig			See separate instruction
53	Use washer, adapter, nut: POS.54, 55, 56			QTY depends on config. (2-6)
54	Washer NL 16mm	611044	2	
55	Adapter 1260-06-32 (3/8")	710242	2	
56	Check nut 1270-06 (3/8")	710252	2	
57	Use washer, adapter, nut: POS.58, 59, 60			
58	Washer NL 1/2"	611096	2	
59	Adapter 1260-04-04 (1/4")	710240	2	
60	Check nut 1270-04 (1/4")	710250	2	
61	Use washer, adapter, nut: POS.62, 63, 64			
62	Washer NL 20mm	611098	2	
63	Adapter 1260-08-08 (1/2")	710244	2	
64	Check nut 1270-08 (1/2")	710254	2	
	Attach feed hoses from control system			(a & b represents channels on feed block)

POS in order of assembly

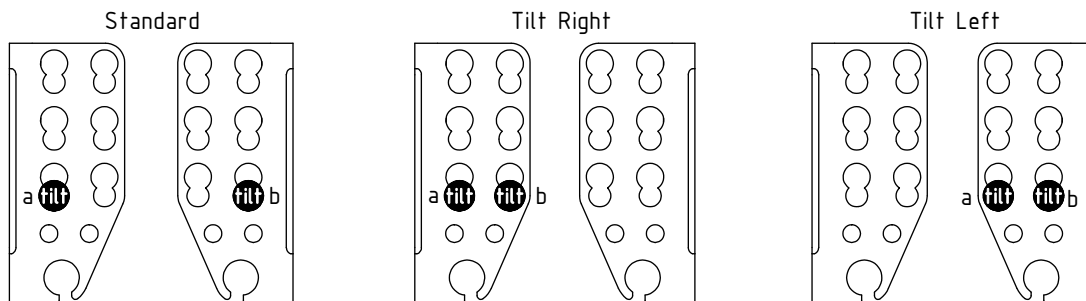
Lock (SQ)



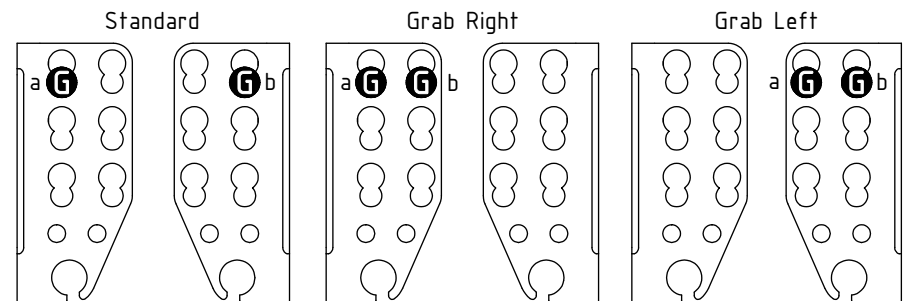
Extra (SX)



Tilt (ST)



Grab



EC219 ECHF - Std Top part components

TILT
Standard

POS	DESCRIPTION	PART	QTY	COMMENTS
25	Hose Tilt Short	742606	2	
43	Hose Tilt Long	7000027	4	

POS in order of assembly



EC219 ECHF - Std Top part components

TILT
Wide

POS	DESCRIPTION	PART	QTY	COMMENTS
26	Hose Tilt Short	7000563	2	
44	Hose Tilt Long Wide	7000031	4	

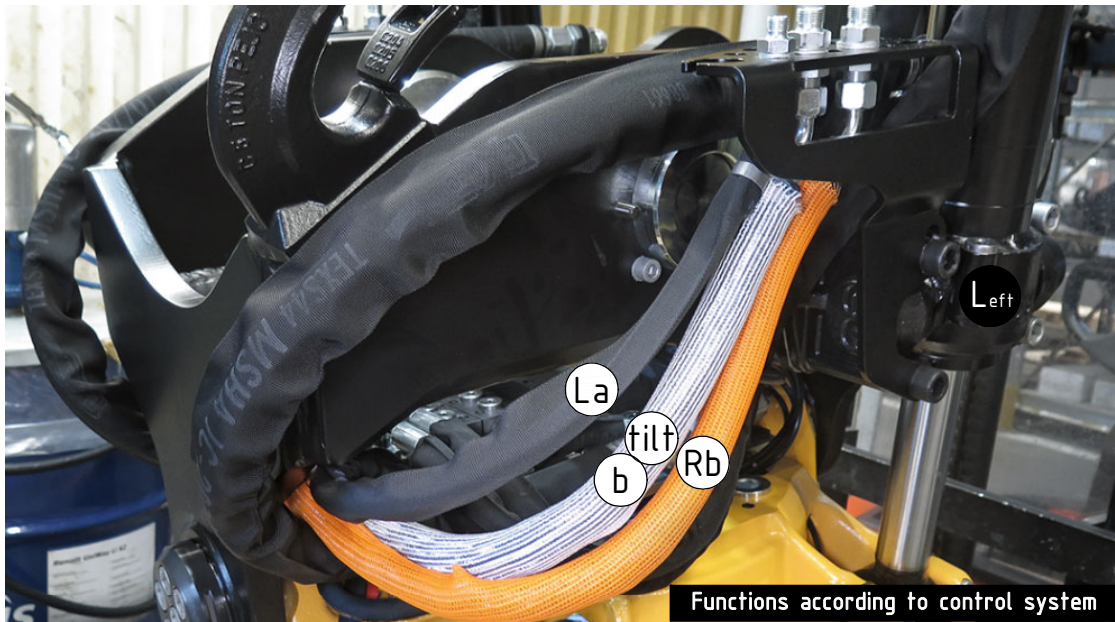
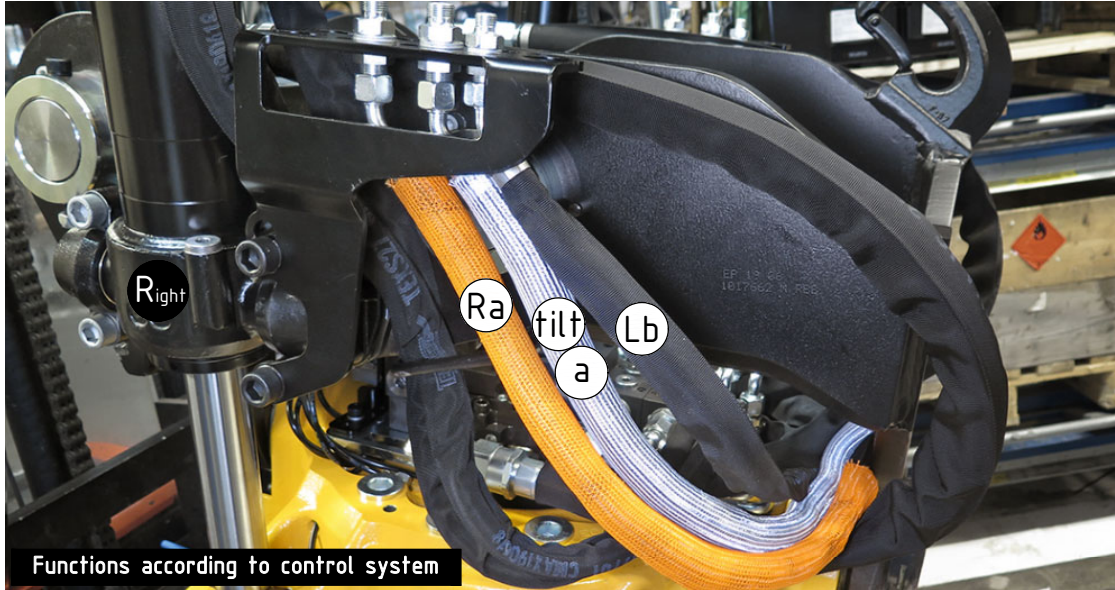
POS in order of assembly



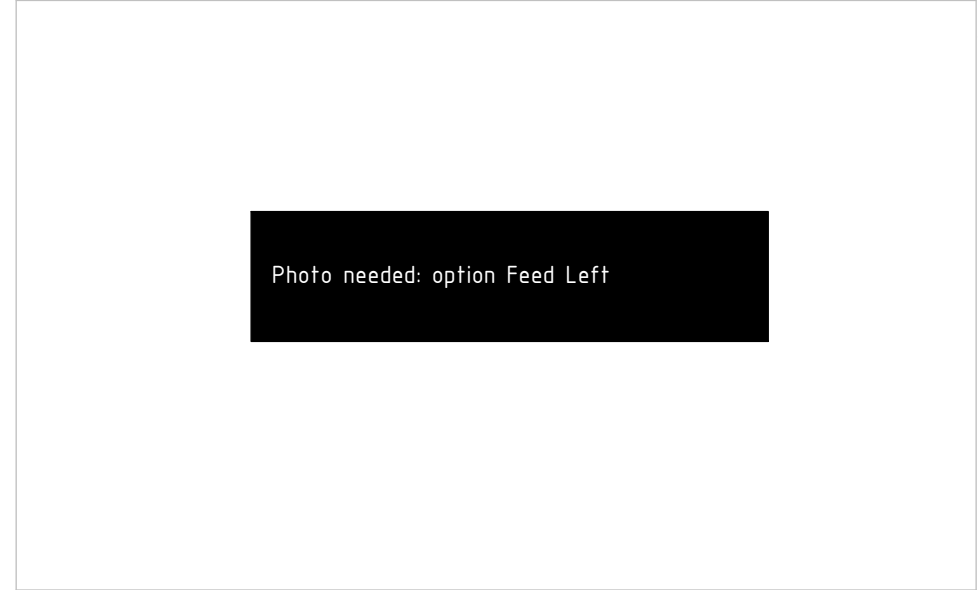
EC219 ECHF - Std Top part components

FEED
3/4" (Std)

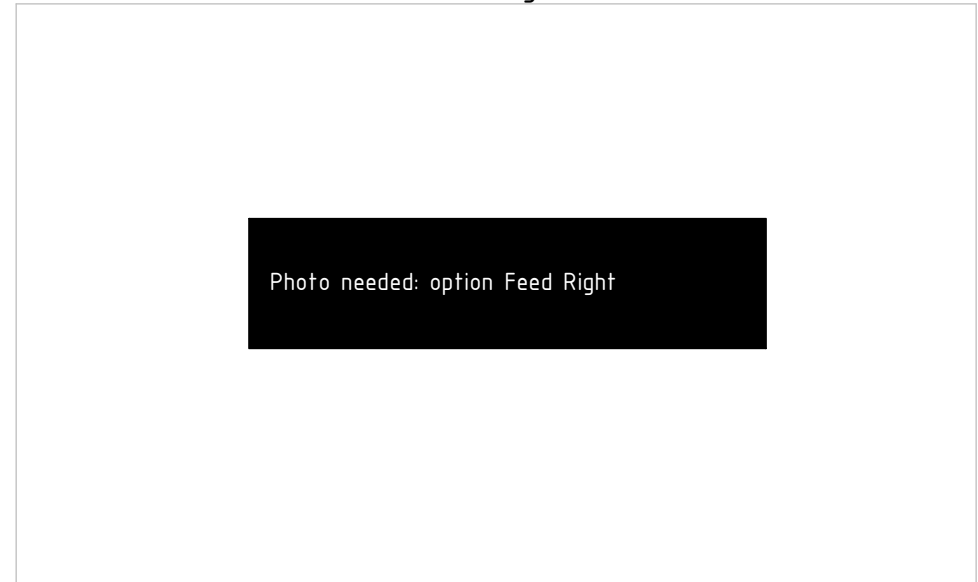
POS	DESCRIPTION	PART	QTY	COMMENTS
	Attach feed hoses from control system			(a & b represents channels on feed block)



Feed Left:



Feed Right:



EC219 ECHF - Std Top part components

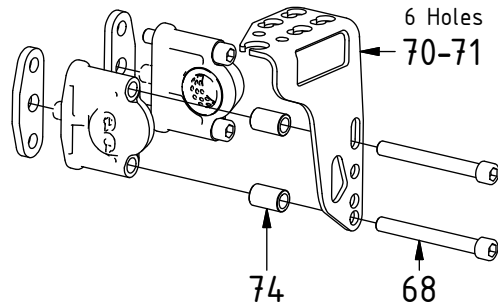
Related spare parts

Replaced from 2018-05

POS	DESCRIPTION	PART	QTY	COMMENTS
29	MC6S M16x130 12.9 ZFSHL	6000154	4	Torque: 333Nm
30	MC6S M16x140 12.9 ZFSHL	6000152	4	Torque: 333Nm
31	Hose terminal 8-holes Left V2	1047137	1	
32	Hose terminal 8-holes Right V2	1047138	1	
33	Spacer terminal 20mm	1023777	4	
68	MC6S M16x140 12.9	610576	4	Replaced by POS.29 from 2018-05
69	MC6S M16x150 12.9	610537	4	Replaced by POS.30 from 2018-05
70	Hose terminal 6 holes left	1005725	1	Replaced by POS.31 from 2018-05
71	Hose terminal 6 holes right	1005726	1	Replaced by POS.32 from 2018-05
72	Hose terminal 8 holes left	1038105	1	Replaced by POS.31 from 2018-05
73	Hose terminal 8 holes right	1038106	1	Replaced by POS.32 from 2018-05
74	Spacer terminal 39mm	1005911	4	Replaced by POS.33 from 2018-05

POS in order of assembly

ss0,ss9,SQ,ST,SX,1/2"Feed:



Shimmed Tilt cylinder with terminal:

