

## COVERSHEET

## Planned document changes:

**Briefly:**

EC214S: add tilt axle cover 1065799 with washers+screws 611040+6000157.

EC214/EC214PS: add protection plate 1064717 instead of 1065799.

Part no for EC214W Tilt cylinder: 1030380.

Add seal 1064201. Comment: **Face groove toward top part**

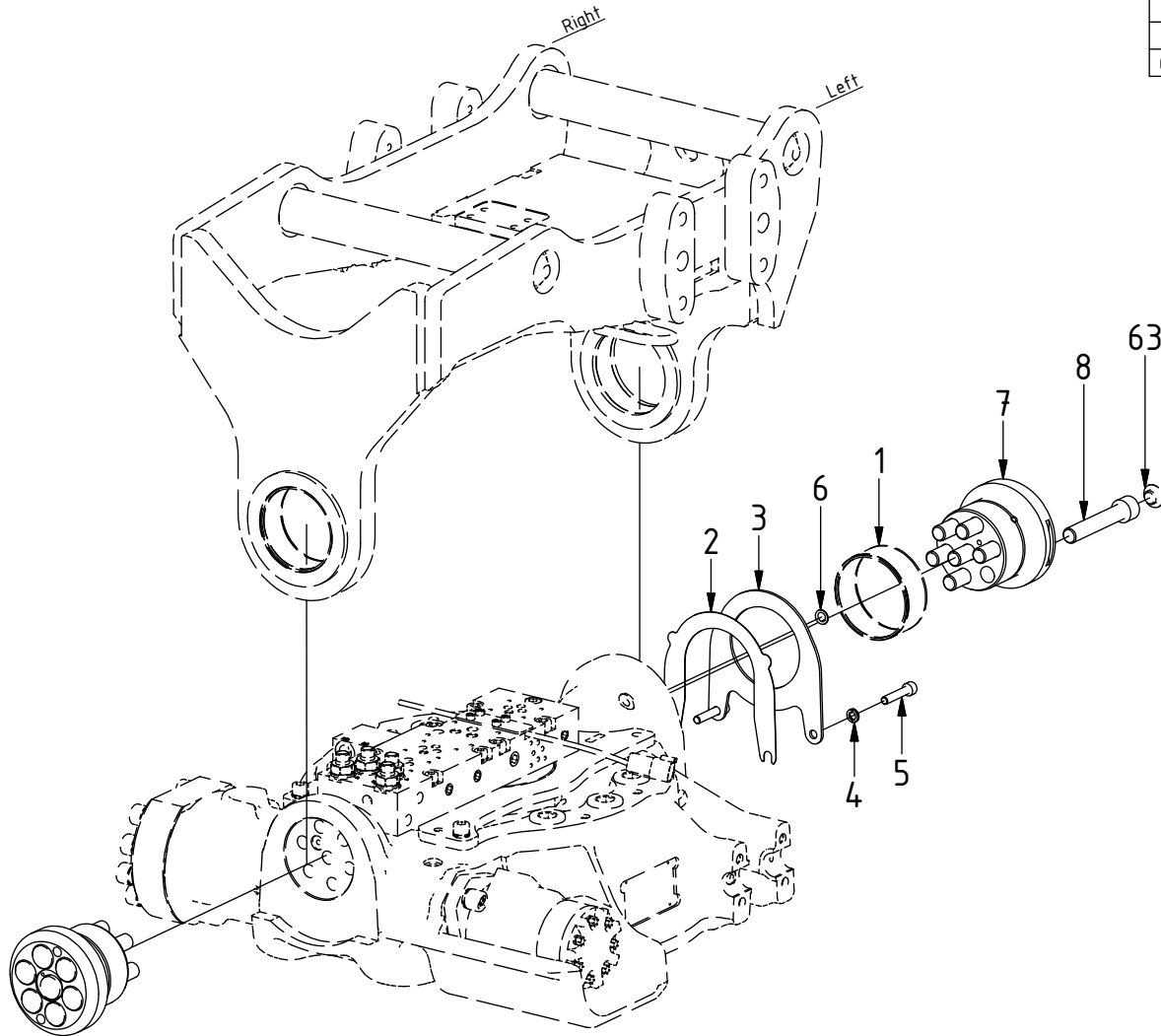
## Document changes:

Date:	Change:	Rev. after change:
2022-06-03	Tilt axle updated.	G
2021-01-20	Screws updated to ZFSHL.	F
2020-01-08	Länner config. updated with ss9IQST.	E
2019-06-20	Länner config. updated with ss9SQSG.	D
2019-02-22	Länner config. updated with ss5. Reference to FEED 1/2" added.	C
2019-01-14	Reference to Top part Hydrema, Huddig & Länner added.	B
2018-12-19	Spare parts page added.	A
2018-10-23	New instruction.	-

# EC214 ECHF - Std Top part components

POS	DESCRIPTION	PART	QTY	COMMENTS
1	Bushing 85/90x35	630321	2	(Included in Top part)
2	Shims tilt axle	1016420	4	Use if required
3	Axial washer tilt	1016417	1	
4	Washer NL 8mm	611040	10	
5	MC6S M8x40 12.9 ZFSLH	6000145	2	
6	O-ring 9,92x2,62	710968	4	QTY: 8 for option Wide
7	Tilt axle EC214, EC219	1064196	2	
8	MC6S M16x90 12.9 ZFSLH	6000151	22	Torque: 333Nm. QTY: 24-26 for Wide
63	Screw Cover M16	1004801	14	Part of make up

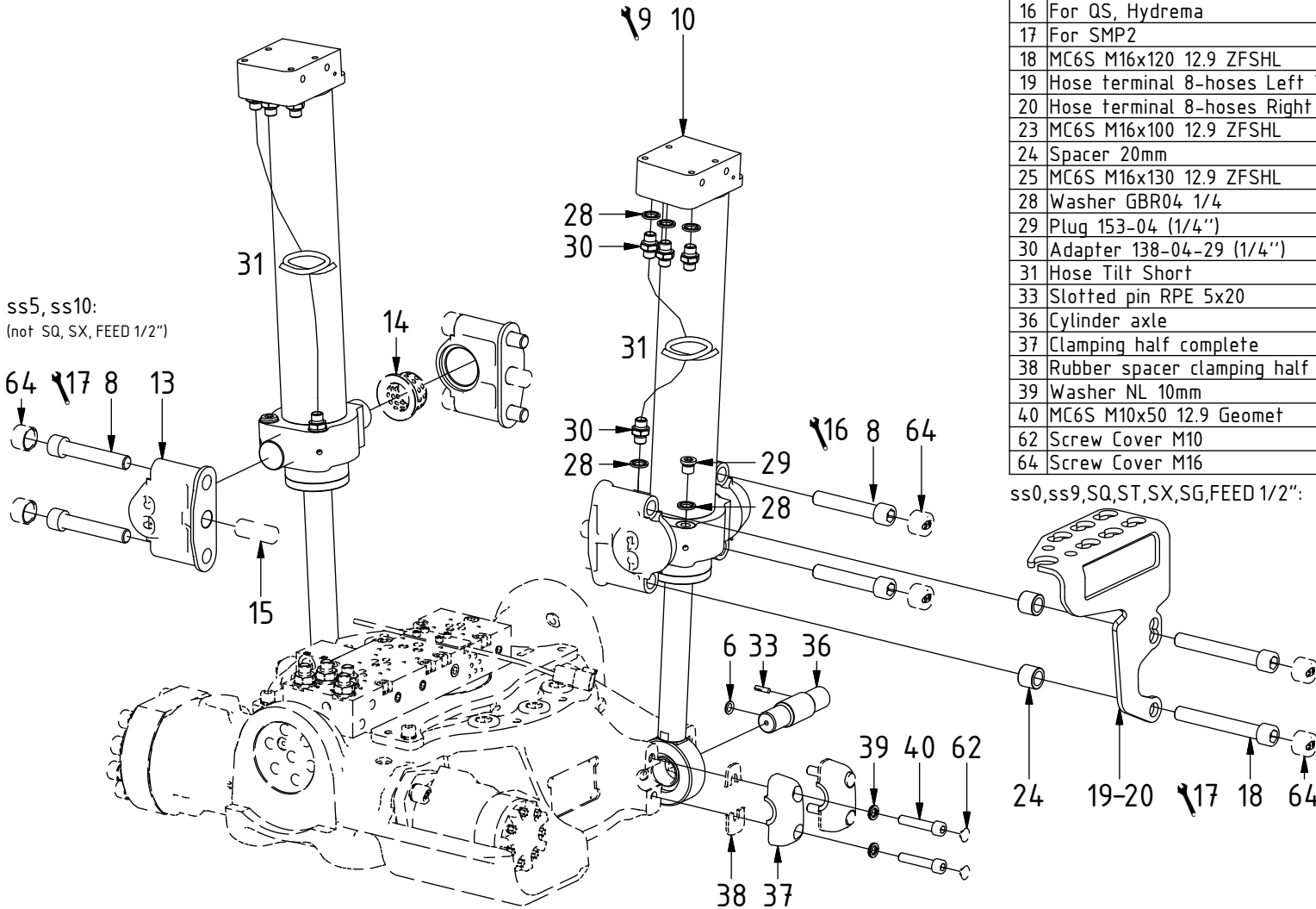
POS in order of assembly



# EC214 ECHF - Std Top part components

POS in order of assembly

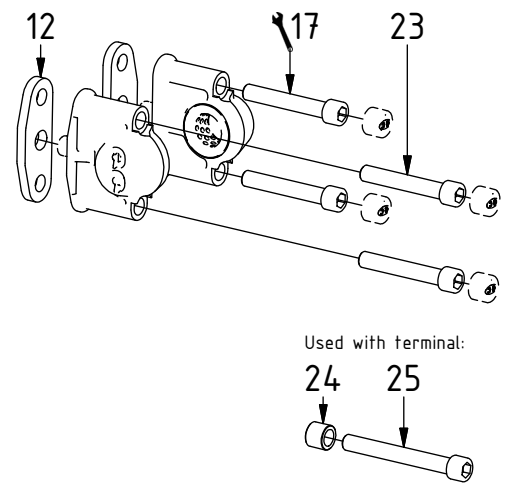
Standard



POS	DESCRIPTION	PART	QTY	COMMENTS
6	O-ring 9,92x2,62	710968	4	QTY: 8 for option Wide
8	MC6S M16x90 12.9 ZFSHL	6000151	22	Torque: 333Nm. QTY: 24-26 for Wide
9	For EC214R: UNI			See separate instruction
10	Tilt cylinder EC214	1041414	2	See "Tilt cylinders"
12	Shim Yoke bracket	1007041	4	For option Shimmed Tilt cylinder
13	Yoke bracket	1023212	4	(POS.14-15 included)
14	Bushing 35/45/55/5x30	631003	4	
15	Cylindrical pin CPK $\varnothing$ 20x50	650211	4	
16	For QS, Hydrema			See separate instruction
17	For SMP2			See separate instruction
18	MC6S M16x120 12.9 ZFSHL	6000162	4	Torque: 333Nm
19	Hose terminal 8-hoses Left V2	1047137	1	
20	Hose terminal 8-hoses Right V2	1047138	1	
23	MC6S M16x100 12.9 ZFSHL	6000156	4	Torque: 333Nm
24	Spacer 20mm	1023777	4	
25	MC6S M16x130 12.9 ZFSHL	6000154	4	Torque: 333Nm
28	Washer GBR04 1/4	710702	10	
29	Plug 153-04 (1/4")	711505	6	
30	Adapter 138-04-29 (1/4")	710135	8	
31	Hose Tilt Short	743002	2	
33	Slotted pin RPE 5x20	640413	2	QTY: 4 for option Wide
36	Cylinder axle	1016458	2	
37	Clamping half complete	1022942	4	(POS.38 included)
38	Rubber spacer clamping half	1016465	4	
39	Washer NL 10mm	611041	8	
40	MC6S M10x50 12.9 Geomet	611515	8	Torque: 79Nm
62	Screw Cover M10	1021468	8	Part of make up
64	Screw Cover M16	611302	8	Part of make up

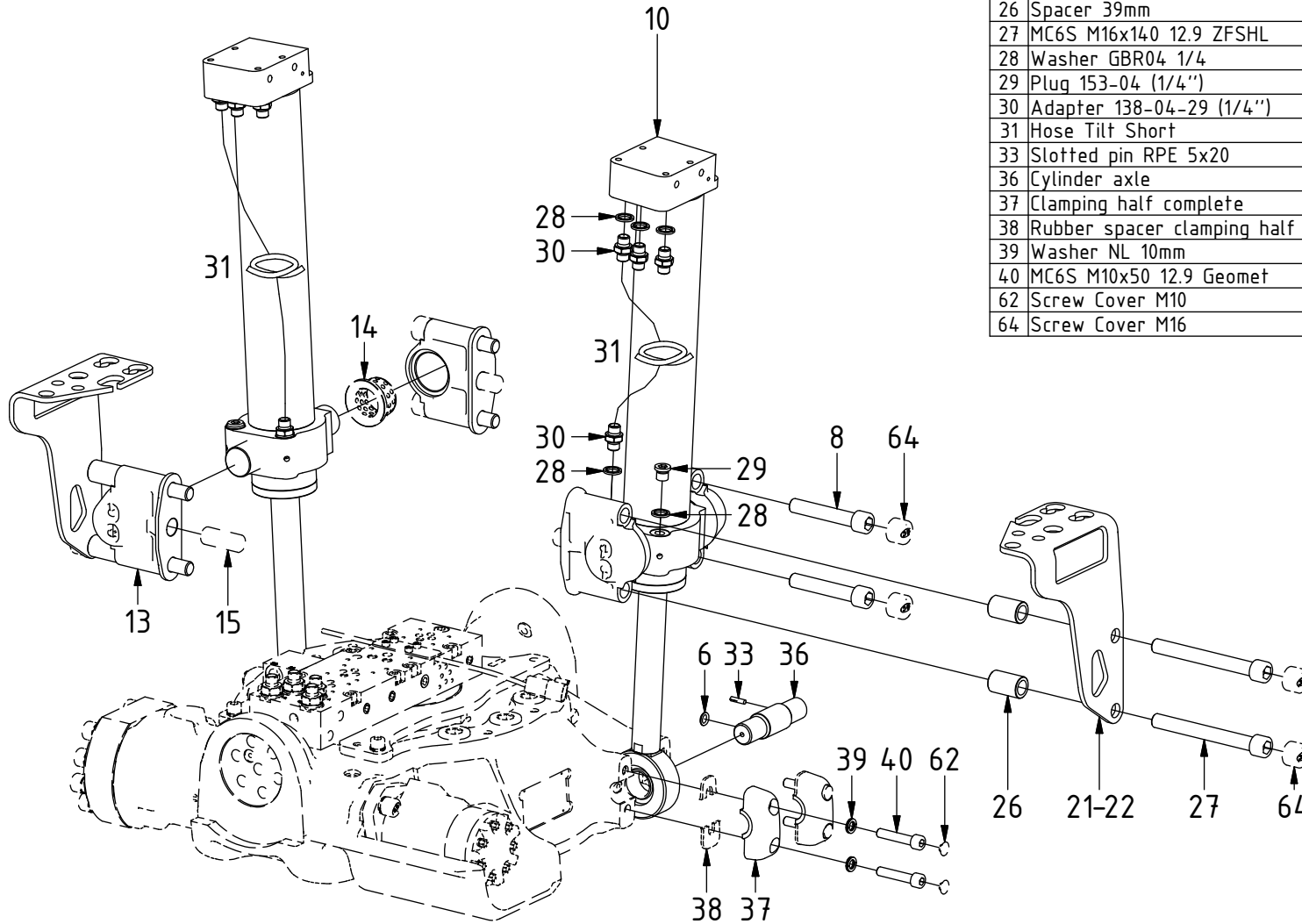
ss0,ss9,SQ,ST,SX,SG,FEED 1/2":

Shimmed Tilt cylinder:



# EC214 ECHF - Std Top part components

Lännen config.

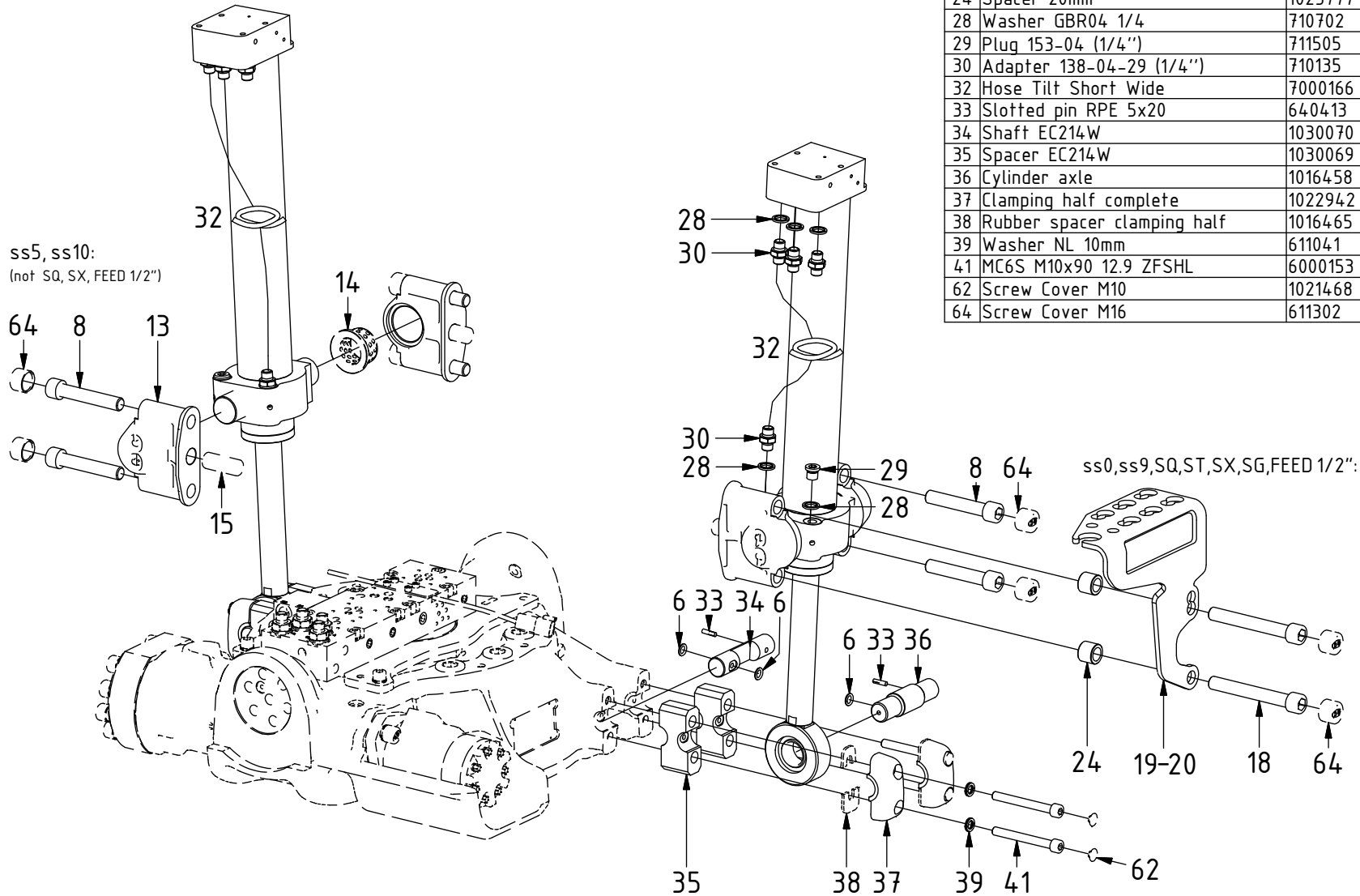


POS	DESCRIPTION	PART	QTY	COMMENTS
6	O-ring 9,92x2,62	710968	4	QTY: 8 for option Wide
8	MC6S M16x90 12.9 ZFSHL	6000151	22	Torque: 333Nm. QTY: 24-26 for Wide
10	Tilt cylinder EC214	1041414	2	See "Tilt cylinders"
13	Yoke bracket	1023212	4	(POS.14-15 included)
14	Bushing 35/45/55/5x30	631003	4	
15	Cylindrical pin CPK ø20x50	650211	4	
21	Terminal Lännen left	1045618	1	
22	Terminal Lännen right	1045619	1	
26	Spacer 39mm	1005911	8	
27	MC6S M16x140 12.9 ZFSHL	6000152	8	Torque: 333Nm
28	Washer GBR04 1/4	710702	10	
29	Plug 153-04 (1/4")	711505	6	
30	Adapter 138-04-29 (1/4")	710135	8	
31	Hose Tilt Short	743002	2	
33	Slotted pin RPE 5x20	640413	2	QTY: 4 for option Wide
36	Cylinder axle	1016458	2	
37	Clamping half complete	1022942	4	(POS.38 included)
38	Rubber spacer clamping half	1016465	4	
39	Washer NL 10mm	611041	8	
40	MC6S M10x50 12.9 Geomet	611515	8	Torque: 79Nm
62	Screw Cover M10	1021468	8	Part of make up
64	Screw Cover M16	611302	8	Part of make up

POS in order of assembly

# EC214 ECHF - Std Top part components

Wide



ss5, ss10:  
(not SQ, SX, FEED 1/2")

ss0,ss9,SQ,ST,SX,SG,FEED 1/2":

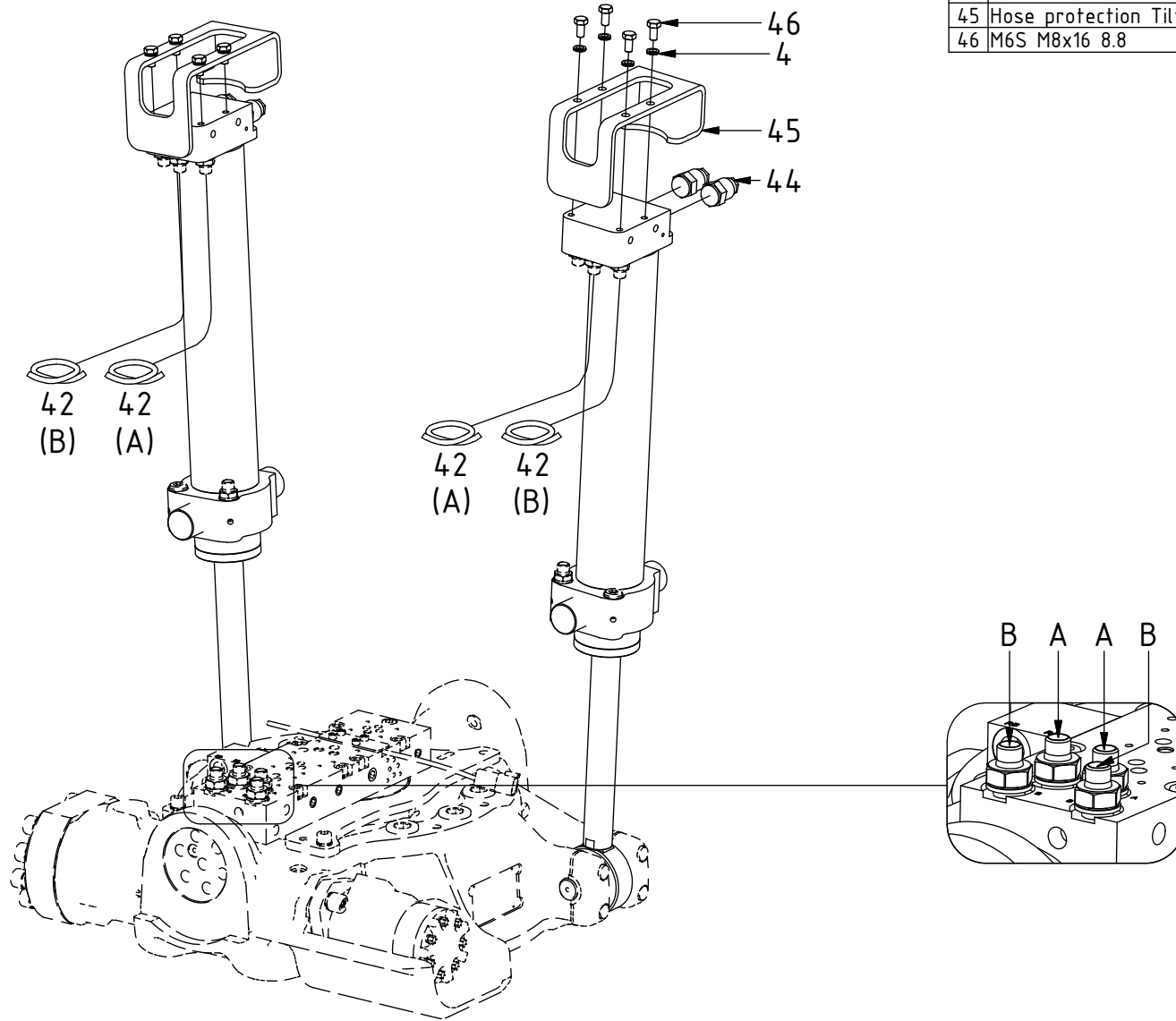
POS	DESCRIPTION	PART	QTY	COMMENTS
6	O-ring 9,92x2,62	710968	4	QTY: 8 for option Wide
8	MC6S M16x90 12.9 ZFSHL	6000151	22	Torque: 333Nm. QTY: 24-26 for Wide
13	Yoke bracket	1023212	4	(POS.14-15 included)
14	Bushing 35/45/55/5x30	631003	4	
15	Cylindrical pin CPK ø20x50	650211	4	
18	MC6S M16x120 12.9 ZFSHL	6000162	4	Torque: 333Nm
19	Hose terminal 8-hoses Left V2	1047137	1	
20	Hose terminal 8-hoses Right V2	1047138	1	
24	Spacer 20mm	1023777	4	
28	Washer GBR04 1/4	710702	10	
29	Plug 153-04 (1/4")	711505	6	
30	Adapter 138-04-29 (1/4")	710135	8	
32	Hose Tilt Short Wide	7000166	2	
33	Slotted pin RPE 5x20	640413	2	QTY: 4 for option Wide
34	Shaft EC214W	1030070	2	
35	Spacer EC214W	1030069	4	
36	Cylinder axle	1016458	2	
37	Clamping half complete	1022942	4	(POS.38 included)
38	Rubber spacer clamping half	1016465	4	
39	Washer NL 10mm	611041	8	
41	MC6S M10x90 12.9 ZFSHL	6000153	8	Torque: 79Nm
62	Screw Cover M10	1021468	8	Part of make up
64	Screw Cover M16	611302	8	Part of make up

# EC214 ECHF - Std Top part components

## TILT

Standard, Lännen config.

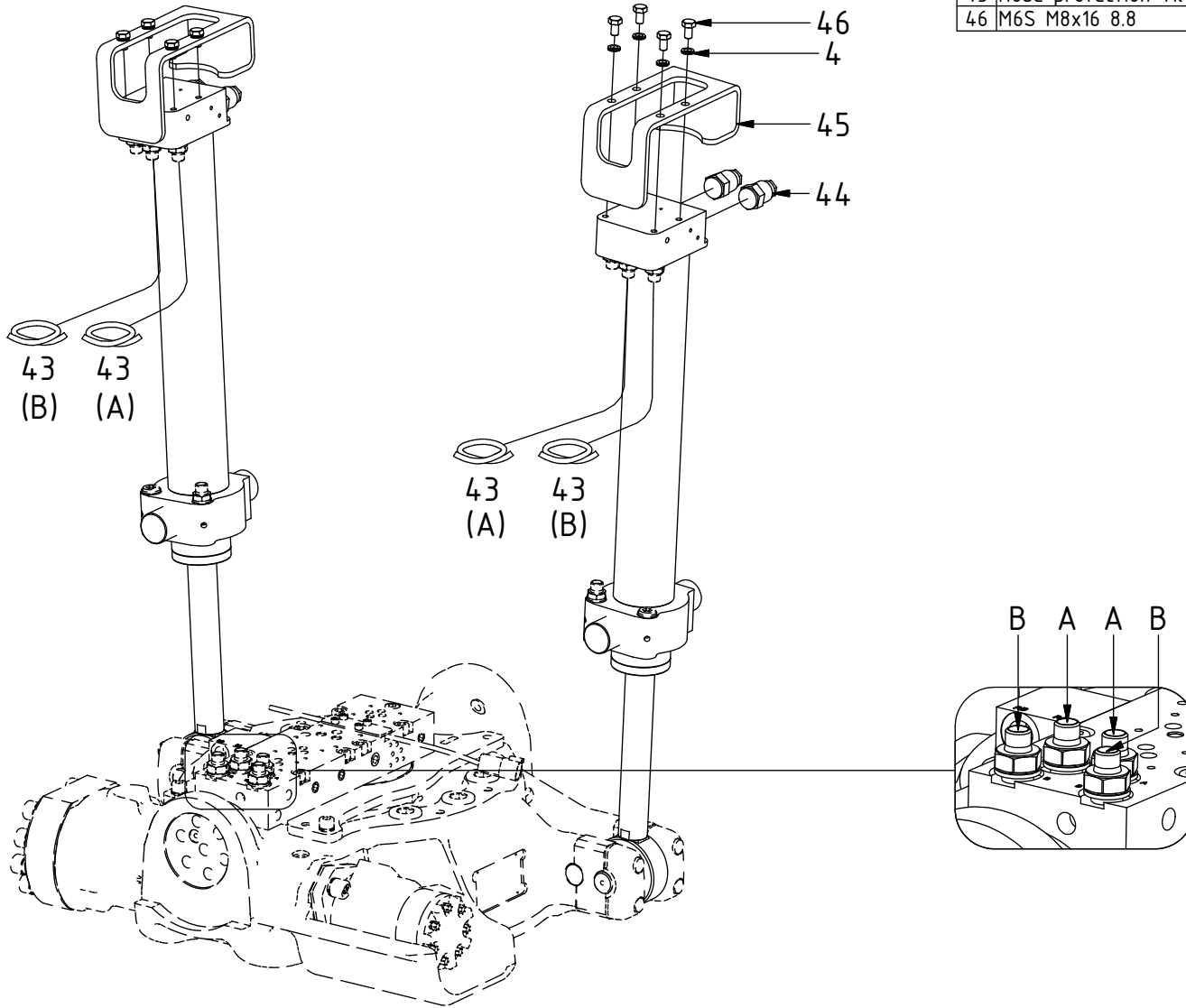
POS	DESCRIPTION	PART	QTY	COMMENTS
4	Washer NL 8mm	611040	10	
40	MC6S M10x50 12.9 Geomet	611515	8	Torque: 79Nm
41	MC6S M10x90 12.9 ZFSHL	6000153	8	Torque: 79Nm
42	Hose Tilt Long	743001	4	
44	Overcentre valve 10:1	730269	4	Torque: 45Nm
45	Hose protection Tiltcyl.	1003774	2	
46	M6S M8x16 8.8	610122	8	



# EC214 ECHF - Std Top part components

TILT  
Wide

POS	DESCRIPTION	PART	QTY	COMMENTS
4	Washer NL 8mm	611040	10	
40	MC6S M10x50 12.9 Geomet	611515	8	Torque: 79Nm
41	MC6S M10x90 12.9 ZFSL	6000153	8	Torque: 79Nm
43	Hose Tilt Long Wide	7000167	4	
44	Overcentre valve 10:1	730269	4	Torque: 45Nm
45	Hose protection Tiltcyl.	1003774	2	
46	M6S M8x16 8.8	610122	8	



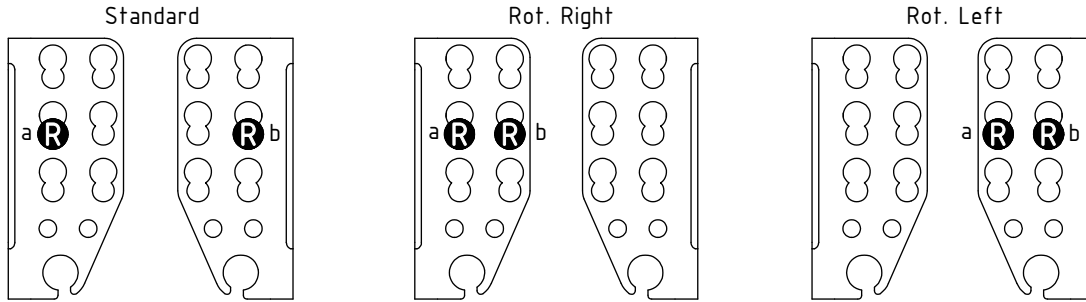
# EC214 ECHF - Std Top part components

Drawing No: 1039701 /G

- R** = 54
- L** = 58
- filT** = 54
- E** = 50
- G** = 54

## FEED 3/4" (Std)

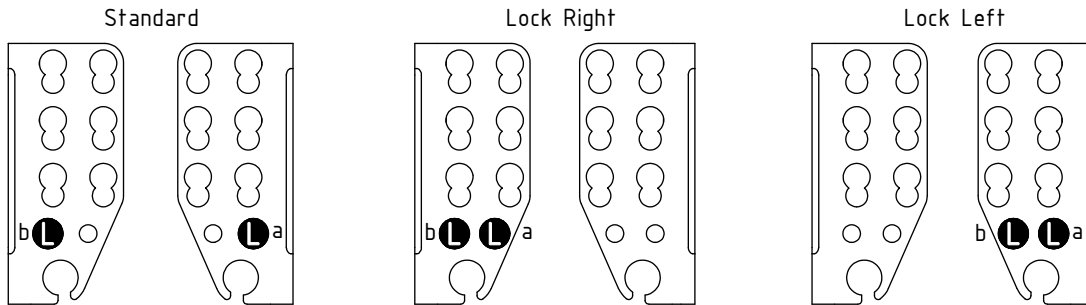
### Rotation



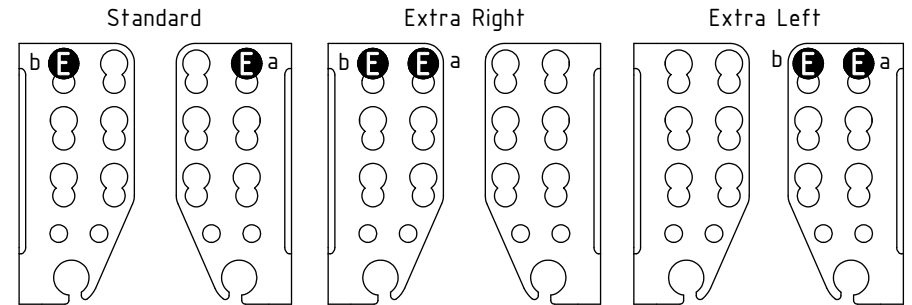
POS	DESCRIPTION	PART	QTY	COMMENTS
47	For Lännen config.			See p.9 for instruction
48	For Hydrema, Huddig, Lännen			See "Top part"
49	For FEED 1/2"			See "Top part"
50	Use washer, adapter, nut: POS.51, 52, 53			QTY depends on config. (2-4)
51	Washer NL 20mm	611098	2	
52	Adapter 1260-08-08 (1/2")	710244	2	
53	Check nut 1270-08 (1/2")	710254	2	
54	Use washer, adapter, nut: POS.55, 56, 57			QTY depends on config. (2-6)
55	Washer NL 16mm	611044	2	
56	Adapter 1260-06-32 (3/8")	710242	2	
57	Check nut 1270-06 (3/8")	710252	2	
58	Use washer, adapter, nut: POS.59, 60, 61			
59	Washer NL 1/2"	611096	2	
60	Adapter 1260-04-04 (1/4")	710240	2	
61	Check nut 1270-04 (1/4")	710250	2	
Attach feed hoses from control system				(a & b represents channels on feed block)

POS in order of assembly

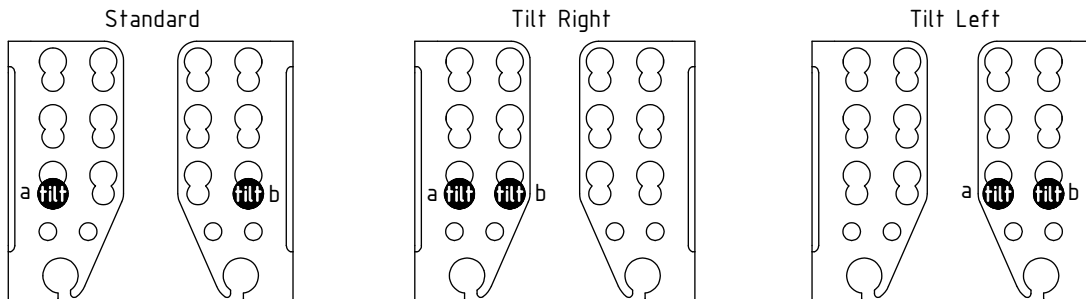
### Lock (SQ)



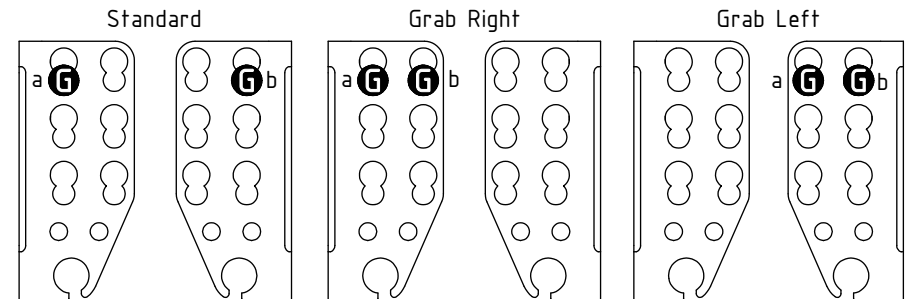
### Extra (SX)



### Tilt (ST)



### Grab (SG)





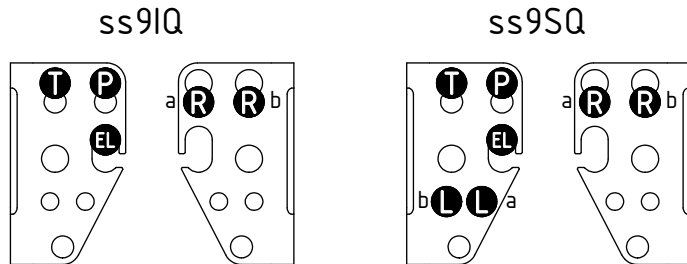
# EC214 ECHF - Std Top part components

Drawing No: 1039701 /G

- P** = 50
- T** = 50
- R** = 54
- L** = 58
- E** = 50
- filt** = 54
- G** = 54

## FEED

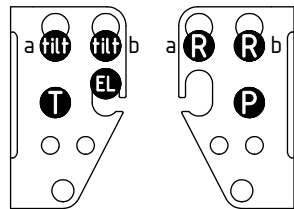
Lännen config.  
(NOT compatible with ss10)



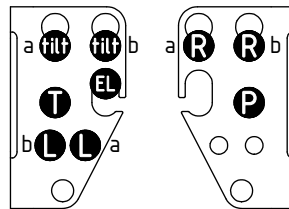
POS	DESCRIPTION	PART	QTY	COMMENTS
50	Use washer, adapter, nut: POS.51, 52, 53			QTY depends on config. (2-4)
51	Washer NL 20mm	611098	2	
52	Adapter 1260-08-08 (1/2")	710244	2	
53	Check nut 1270-08 (1/2")	710254	2	
54	Use washer, adapter, nut: POS.55, 56, 57			QTY depends on config. (2-6)
55	Washer NL 16mm	611044	2	
56	Adapter 1260-06-32 (3/8")	710242	2	
57	Check nut 1270-06 (3/8")	710252	2	
58	Use washer, adapter, nut: POS.59, 60, 61			
59	Washer NL 1/2"	611096	2	
60	Adapter 1260-04-04 (1/4")	710240	2	
61	Check nut 1270-04 (1/4")	710250	2	
	Attach feed hoses from control system			(a & b represents channels on feed block)

POS in order of assembly

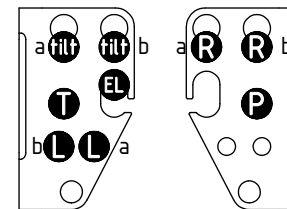
ss9IQST



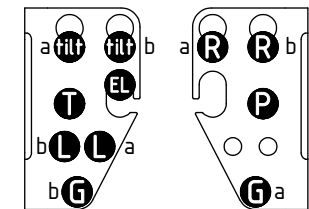
ss9SQST



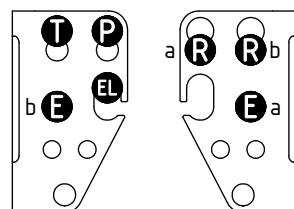
ss0



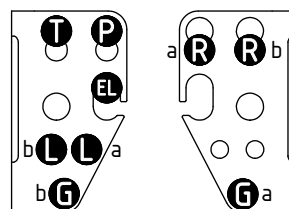
ss0 Grab



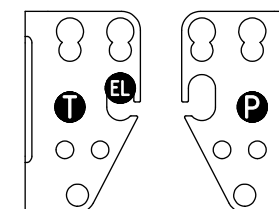
ss9IQSX



ss9SQSG



ss5

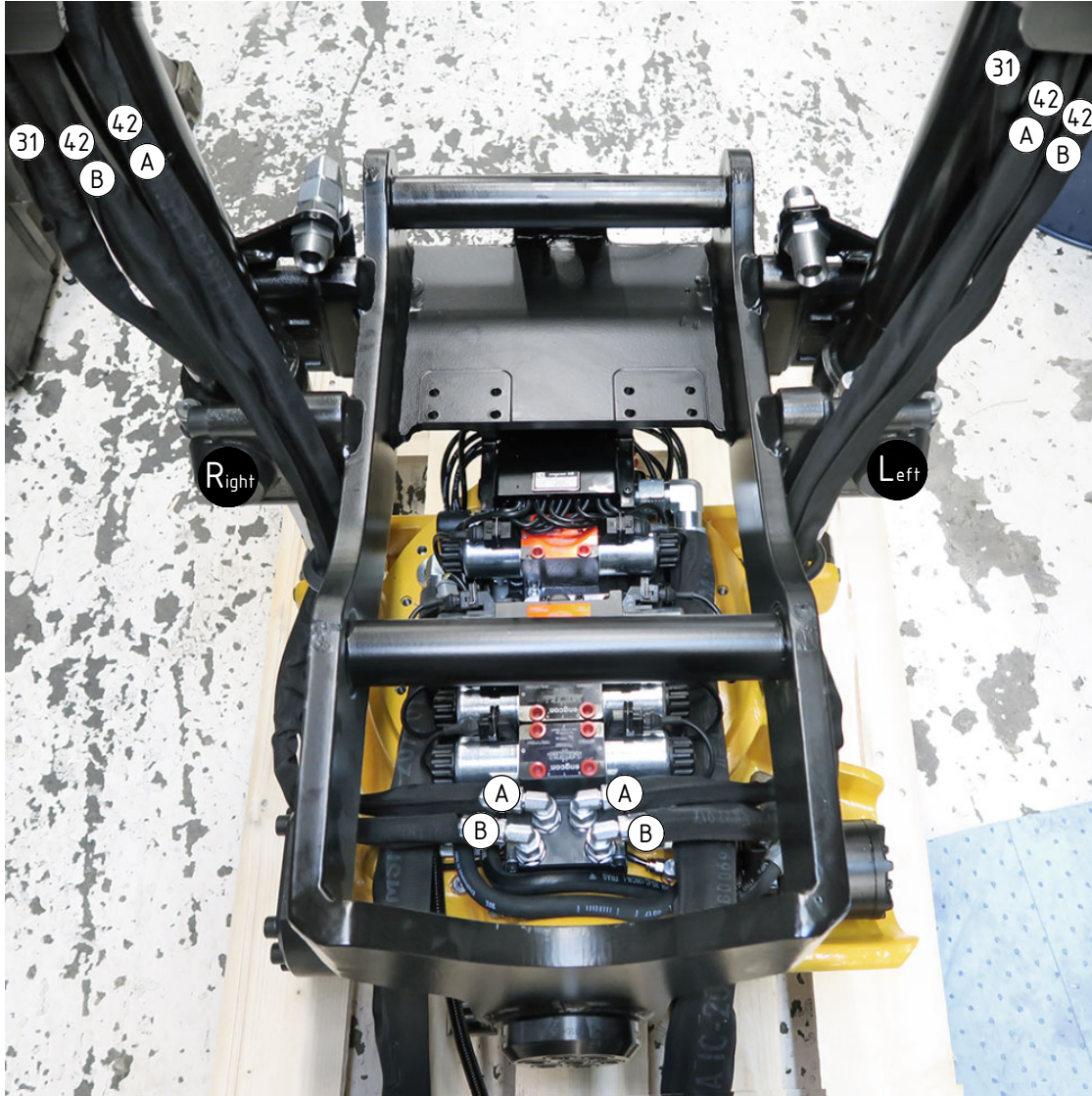


# EC214 ECHF - Std Top part components

## TILT

Standard, Lännen config.

POS	DESCRIPTION	PART	QTY	COMMENTS
31	Hose Tilt Short	743002	2	
42	Hose Tilt Long	743001	4	

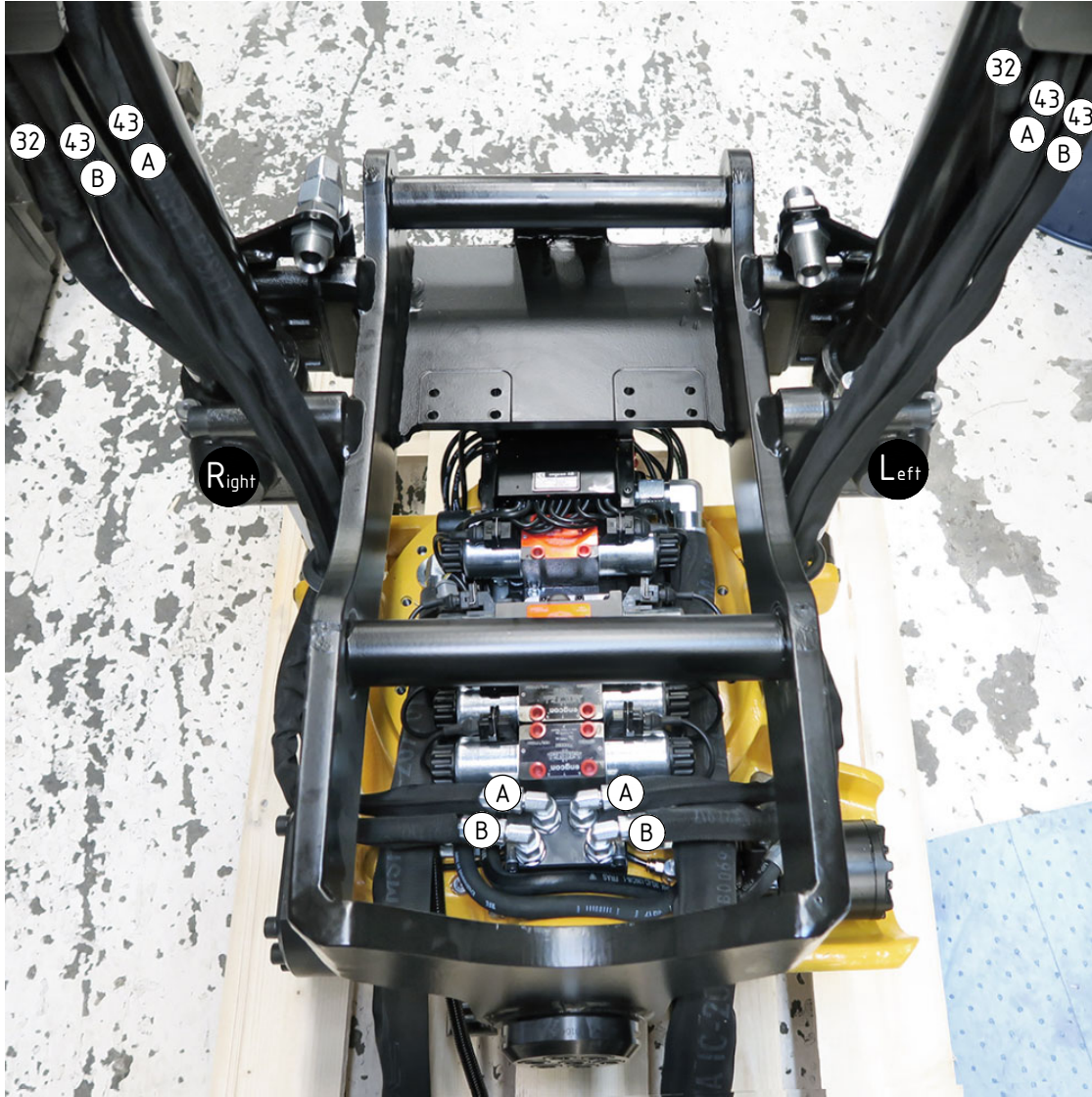


# EC214 ECHF - Std Top part components

TILT  
Wide

POS	DESCRIPTION	PART	QTY	COMMENTS
32	Hose Tilt Short Wide	7000166	2	
43	Hose Tilt Long Wide	7000167	4	

POS in order of assembly



# EC214 ECHF - Std Top part components

FEED  
3/4" (Std)

POS	DESCRIPTION	PART	QTY	COMMENTS
48	For Hydrema, Huddig, Lännen			See "Top part"
49	For FEED 1/2"			See "Top part"
	Attach feed hoses from control system			(a & b represents channels on feed block)

POS in order of assembly

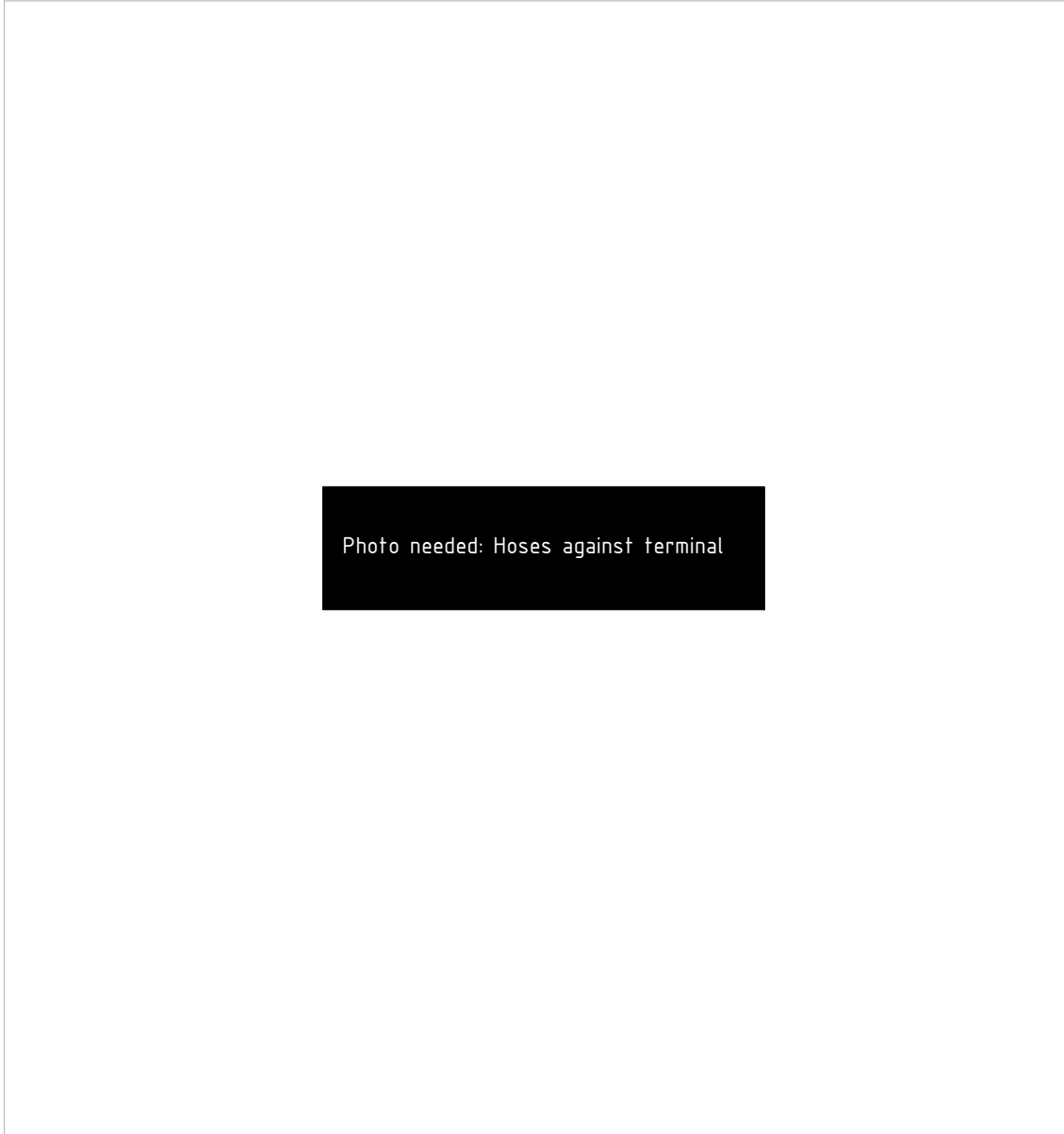


Photo needed: Hoses against terminal

Feed Left:

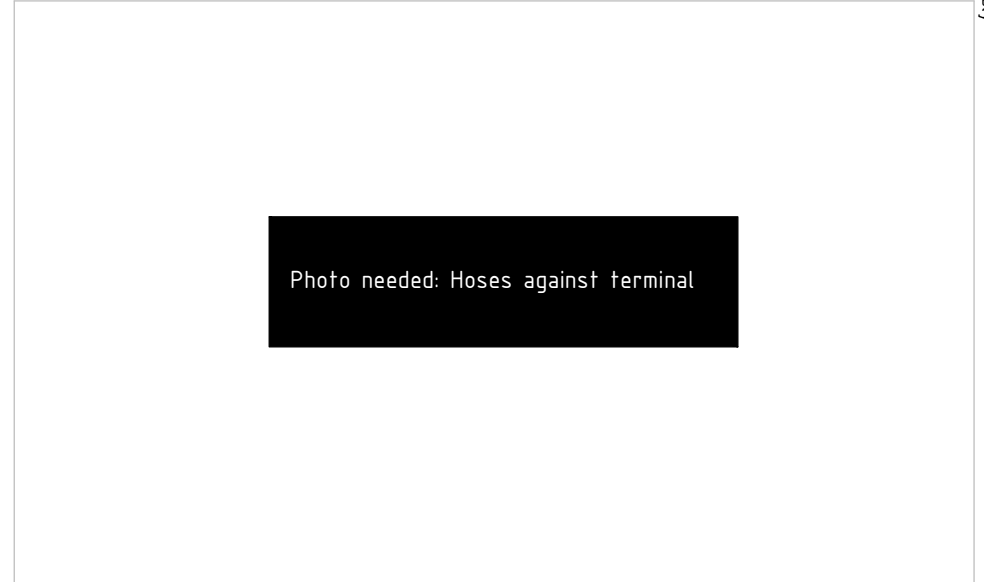


Photo needed: Hoses against terminal

Feed Right:

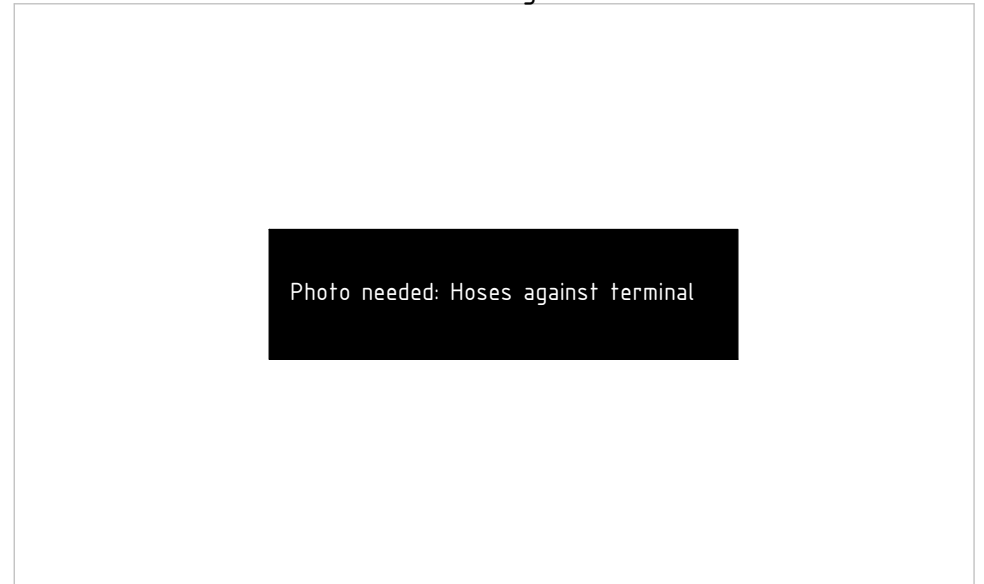


Photo needed: Hoses against terminal

# EC214 ECHF - Std Top part components

## FEED

Lännen config.  
(NOT compatible with ss10)

POS	DESCRIPTION	PART	QTY	COMMENTS
	Attach feed hoses from control system			(a & b represents channels on feed block)

POS in order of assembly

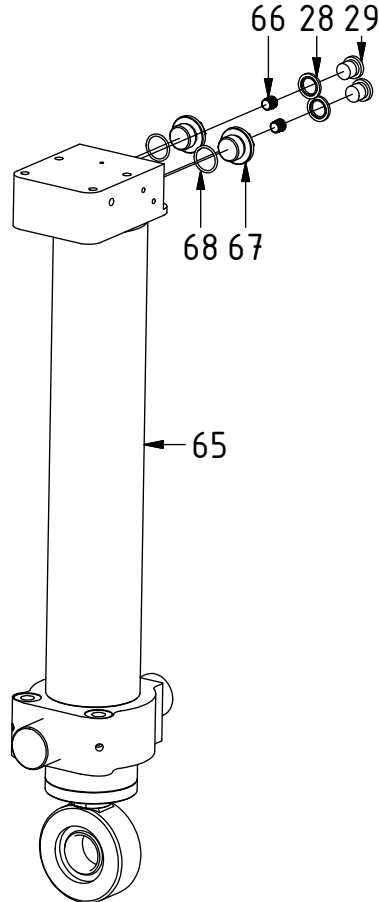


Photo needed: Hoses against terminal

# EC214 ECHF - Std Top part components

## Related spare parts

Used until 2017-05



POS	DESCRIPTION	PART	QTY	COMMENTS
10	Tilt cylinder EC214	1041414	2	See "Tilt cylinders"
28	Washer GBR04 1/4	710702	10	
29	Plug 153-04 (1/4")	711505	6	
65	Tilt cylinder EC214	1024186	2	Replaced by POS.10 from 2017-05
66	Plug 1/8" BSPT	711523	4	Only for ss0, ss3 R-X, ss5, ss10
67	Plug M20x1,5	1022297	4	Only for ss0, ss3 R-X, ss5, ss10 (POS.68 included)
68	O-ring 18x2	710955	4	

POS in order of assembly