

COVERSHEET

Planned document changes:

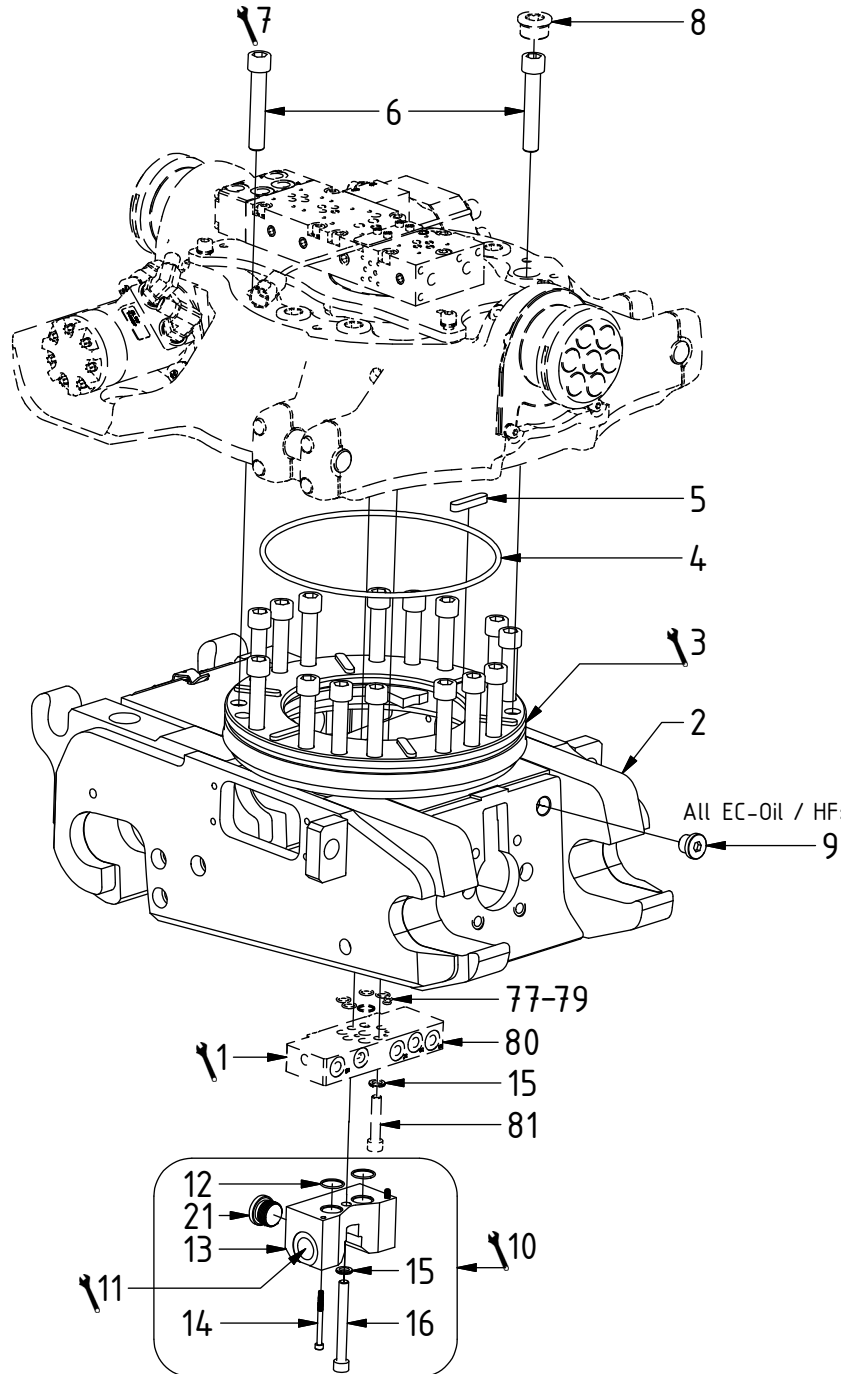
Briefly:

Add photos for EC-Oil 2Bl. HF & QSD-Q EC-Oil 2Bl. 2HF (alert Documentation when built).

Document changes:

Date:	Change:	Rev. after change:
2019-03-06	EC-Oil Lock hose updated.	G
2019-01-16	Quick hitch updated, 18 holes.	F
2019-01-10	Plug added for option EC-Oil 2Bl. HF.	E
2018-10-19	Option Without Extra updated.	D
2018-05-02	Torque corrected.	C
2018-05-01	Instruction overhaul. Hoses for Std & QSD-Q changed. Coversheet added.	B

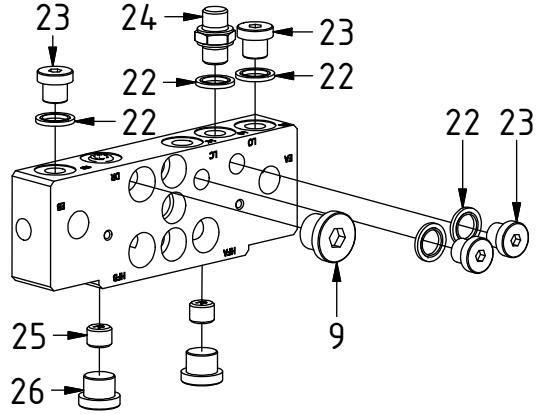
EC214 - QSD60



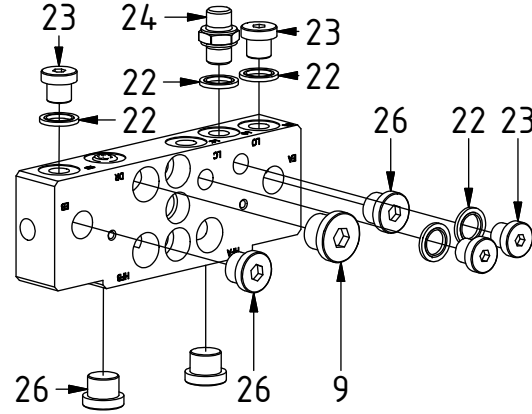
POS	DESCRIPTION	PART	QTY	COMMENTS
1	See p.3-4 connection block config.			
2	Quick hitch QSD60	1037496	1	
3	Grease the ring			
4	O-ring 249,3x5,7	712424	1	
5	Feather Key	650102	6	
6	Screw MC6S 16x90	610530	18	Torque: 333Nm
7	Torque tighten quick hitch to rotator frame, six holes. Rotate to access the remaining holes			
8	Pipe plug M30x1,5	650410	6	Part of rotator frame assembly
9	Plug 1/2"	711500	1	QTY depends on config (1-3)
10	Applies only to Standard & HF			
11	For Standard, mount adapters before fastening POS.13			See p.6 for adapters
12	O-ring 20,35x1,78 70 shore	710974	2	
13	Extra block	1031934	1	
14	Screw MC6S 5x60	610409	2	
15	Washer NL10	611041	2	Part of rotator frame assembly
16	Screw MC6S 10x90	610465	1	
21	Plug 3/4"	711532	2	QTY: 4 for EC214 Without Extra
77	O-ring 15,6x1,78	710912	1	Part of rotator frame assembly
78	O-ring 12,42x1,78	710973	4	Part of rotator frame assembly
79	O-ring 6,07x1,78	712422	2	Part of rotator frame assembly
80	Connection block ECHF	1028391	1	Part of rotator frame assembly
81	Screw MC6S 10x50	610457	2	Part of rotator frame assembly (QTY: 1 for Standard & HF)

EC214 - QSD60

Standard:

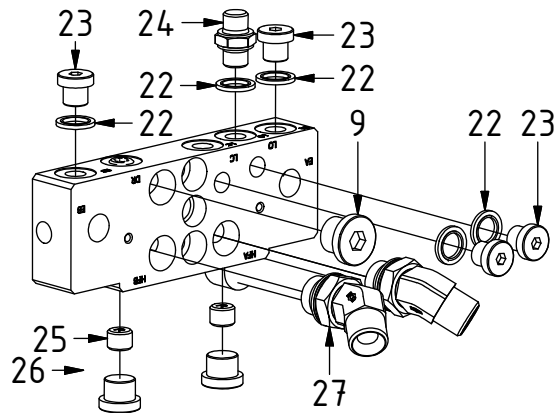


HF:

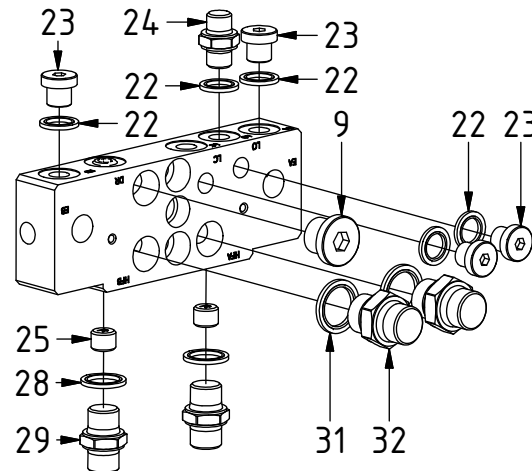


POS	DESCRIPTION	PART	QTY	COMMENTS
9	Plug 1/2"	711500	1	QTY depends on config (1-3)
22	Sealing washer 1/4"	710702	12	QTY depends on config (10-13)
23	Plug 1/4"	711505	4	
24	Adapter 138-04-29 (1/4")	710135	1	QTY depends on config (1-2)
25	Pipe plug 1/4"	711508	2	Loctite 5400
26	Plug 3/8"	711504	2	QTY depends on config (2-4)
27	Adapter 402-08-08 45° (1/2")	7000091	2	
28	Sealing washer 3/8"	710703	4	QTY depends on config (4-10)
29	Adapter 136-06-06 (3/8")	710106	2	
31	Sealing washer 1/2"	710704	2	QTY depends on config (2-8)
32	Adapter 136-08-08 (1/2")	710108	4	

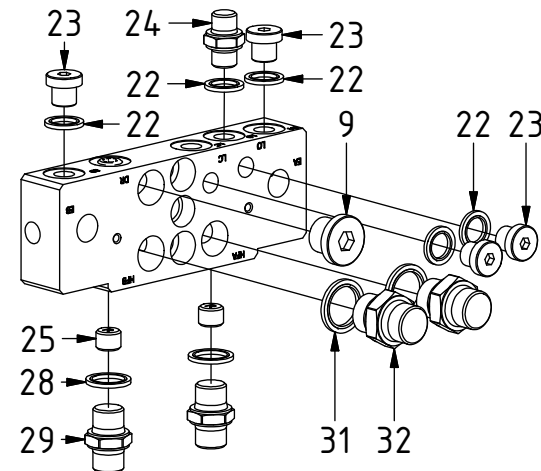
QSD-Q:



QSD-Q EC-Oil:

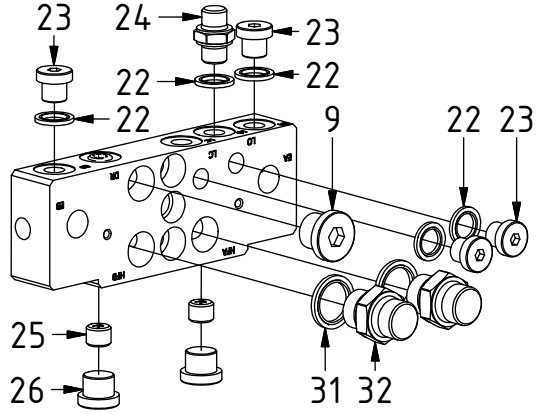


QSD-Q EC-Oil 2Bl. 2HF:

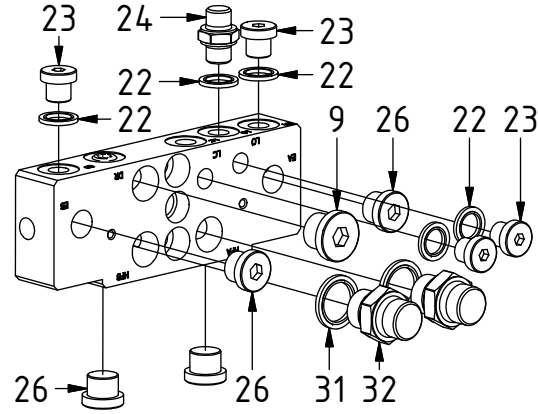


POS	DESCRIPTION	PART	QTY	COMMENTS
9	Plug 1/2"	711500	1	QTY depends on config (1-3)
19	Adapter 401-08-08 90° (1/2")	710156	2	QTY depends on config (1-2)
22	Sealing washer 1/4"	710702	12	QTY depends on config (10-13)
23	Plug 1/4"	711505	4	
24	Adapter 138-04-29 (1/4")	710135	1	QTY depends on config (1-2)
25	Pipe plug 1/4"	711508	2	Loctite 5400
26	Plug 3/8"	711504	2	QTY depends on config (2-4)
30	Adapter 401-06-06 90° (3/8")	710152	2	
31	Sealing washer 1/2"	710704	2	QTY depends on config (2-8)
32	Adapter 136-08-08 (1/2")	710108	4	

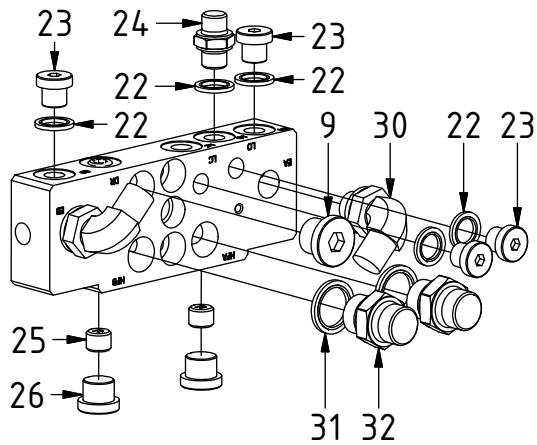
EC-Oil:



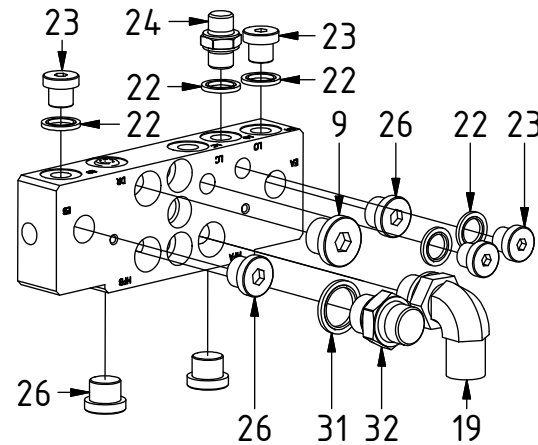
EC-Oil HF:



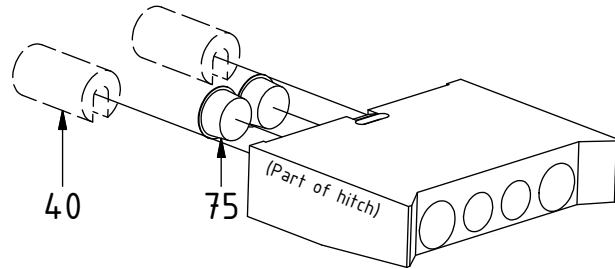
EC-Oil Dbl.Extra:



EC-Oil 2Bl. HF:

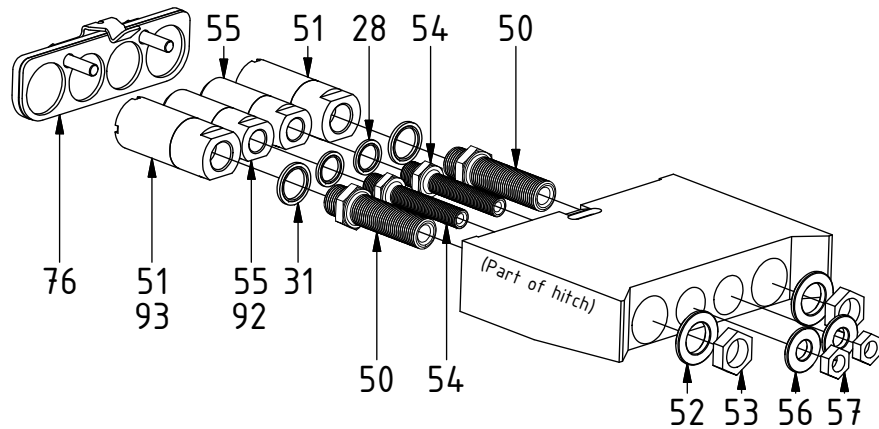


Standard / EC-Oil:
(p.6) (p.11)

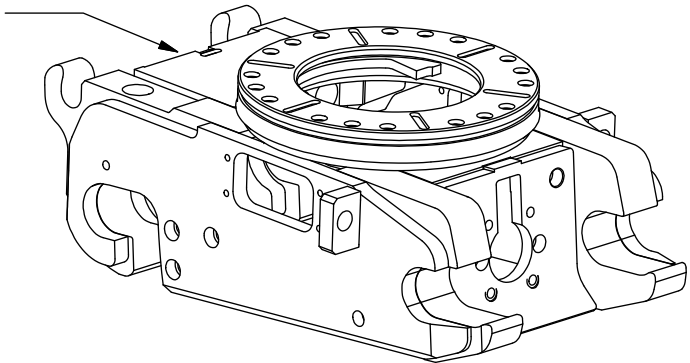


POS	DESCRIPTION	PART	QTY	COMMENTS
28	Sealing washer 3/8"	710703	4	QTY depends on config (4-10)
31	Sealing washer 1/2"	710704	2	QTY depends on config (2-8)
40	Hose holder QSD60	1038799	2	
50	Adapter 1260-08-58 (1/2")	1035715	2	
51	1/2" Hydraulic Quick coupler	1034211	2	
52	Washer 1/2" ECO QSD	1037608	2	
53	Bulkhead adapter nut 1/2"	710254	2	
54	Adapter 1261-06-62 (3/8"-1/4")	1038197	2	
55	3/8" Hydraulic Quick coupler	1035724	2	
56	Washer 1/4" ECO QSD	1037609	2	
57	Bulkhead adapter nut 1/4"	710250	2	
74	Protection plug 1/2"	7000155	2	
75	Protection plug 3/8"	7000153	2	
76	Protection lid QSD60	1035475	1	
92	Assembly tool 3/8"	1002633	1	
93	Assembly tool 1/2"	1002634	1	

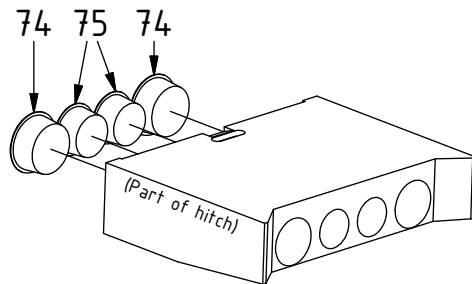
QSD-Q / QSD-Q EC-Oil / QSD-Q EC-Oil 2Bl. 2HF:
(p.8) (p.9) (p.10)



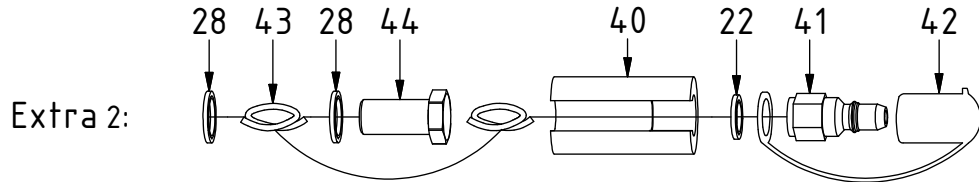
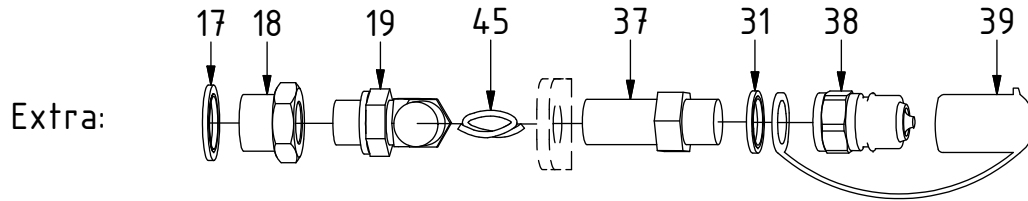
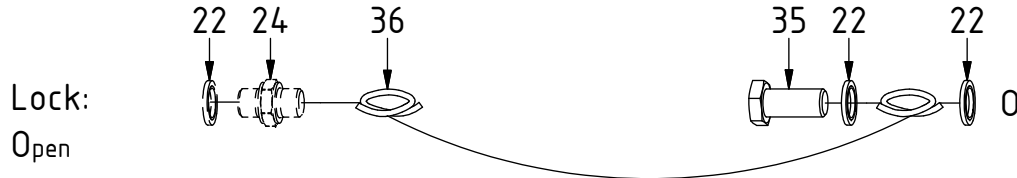
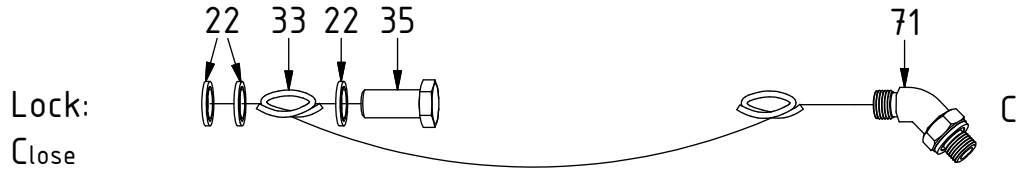
Plugs/couplings located at hitch front



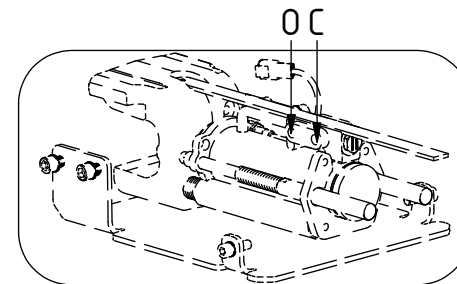
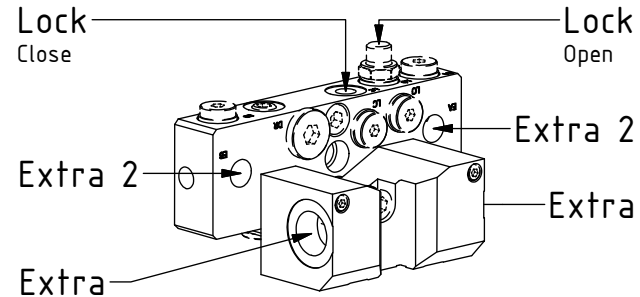
HF / EC-Oil HF / EC-Oil Dbl.Extra / EC-Oil 2Bl. HF / Without Extra:
(p.7) (p.12) (p.13) (p.14)



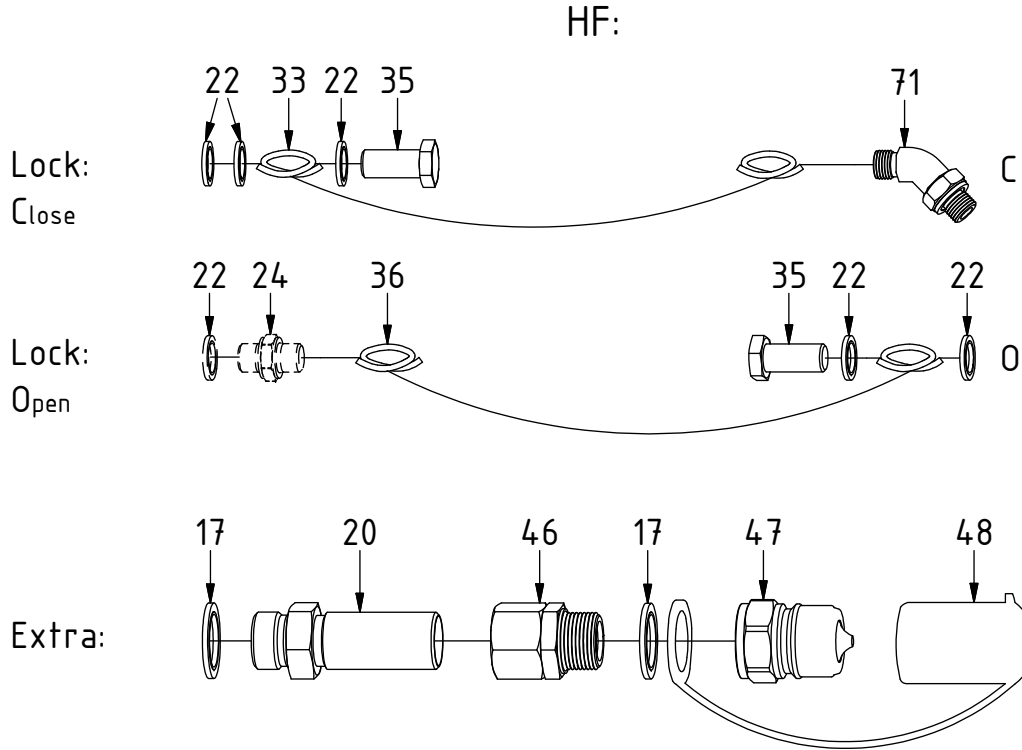
Standard:



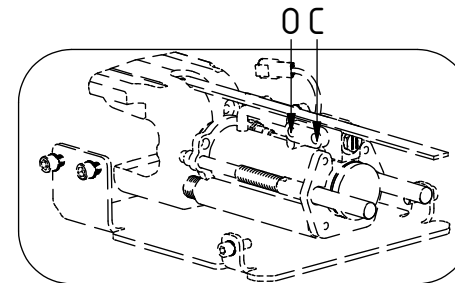
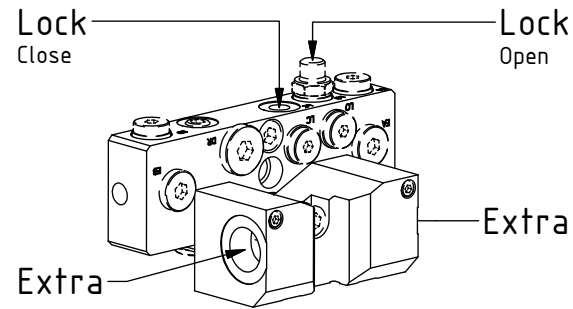
POS	DESCRIPTION	PART	QTY	COMMENTS
17	Sealing washer 3/4"	710706	2	QTY depends on config (2-4)
18	Adapter 234-12-08 (3/4"-1/2")	712219	2	
19	Adapter 401-08-08 90° (1/2")	710156	2	QTY depends on config (1-2)
22	Sealing washer 1/4"	710702	12	QTY depends on config (10-13)
24	Adapter 138-04-29 (1/4")	710135	1	QTY depends on config (1-2)
28	Sealing washer 3/8"	710703	4	QTY depends on config (4-10)
31	Sealing washer 1/2"	710704	2	QTY depends on config (2-8)
33	Hose Lock Short	742801	1	
35	Banjobolt 1/4"	710271	2	
36	Hose Lock Long	742802	1	
37	Adapter 1260-08-08 (1/2")	710244	2	Loctite 2700
38	Quick coupling 1/2"	790115	2	
39	Dust protection 1/2"	790121	2	
40	Hose holder QSD60	1038799	2	
41	Quick Coupling 1/4" Male	790111	2	
42	Dust protection 1/4"	790119	2	
43	Hose Extra 2	7000287	2	
44	Banjobolt 3/8"	710272	2	
45	Hose Extra	7000661	2	
71	Adapter 402-04-04 45° (1/4")	7000104	1	



See instruction,
Standard components

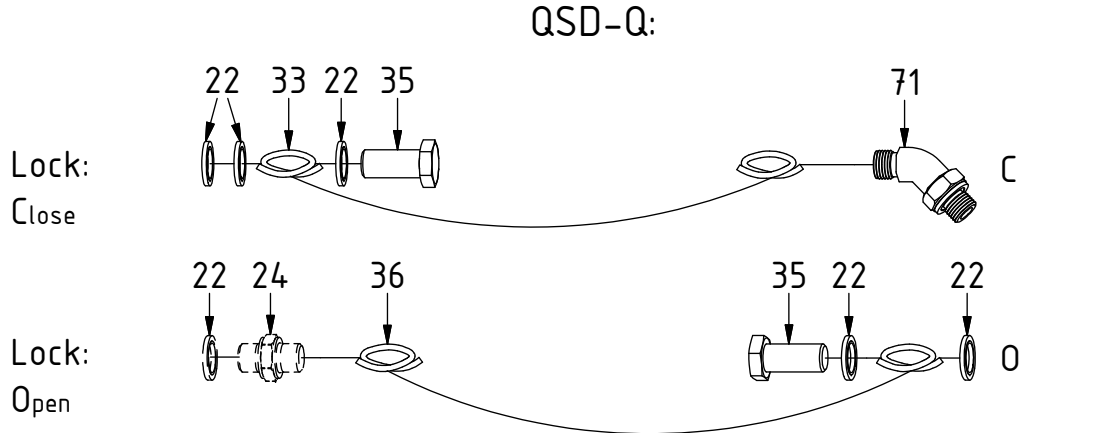


POS	DESCRIPTION	PART	QTY	COMMENTS
17	Sealing washer 3/4"	710706	2	QTY depends on config (2-4)
20	Adapter 1260-12-57 (3/4")	712227	2	
22	Sealing washer 1/4"	710702	12	QTY depends on config (10-13)
24	Adapter 138-04-29 (1/4")	710135	1	QTY depends on config (1-2)
33	Hose Lock Short	742801	1	
35	Banjobolt 1/4"	710271	2	
36	Hose Lock Long	742802	1	
46	Adapter 703-12-12 (3/4")	710218	2	
47	Quick coupling 3/4"	790193	2	
48	Dust protection 3/4"	790195	2	
71	Adapter 402-04-04 45° (1/4")	7000104	1	

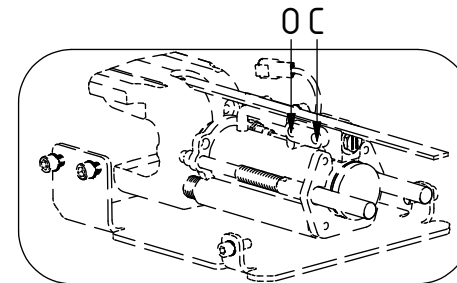
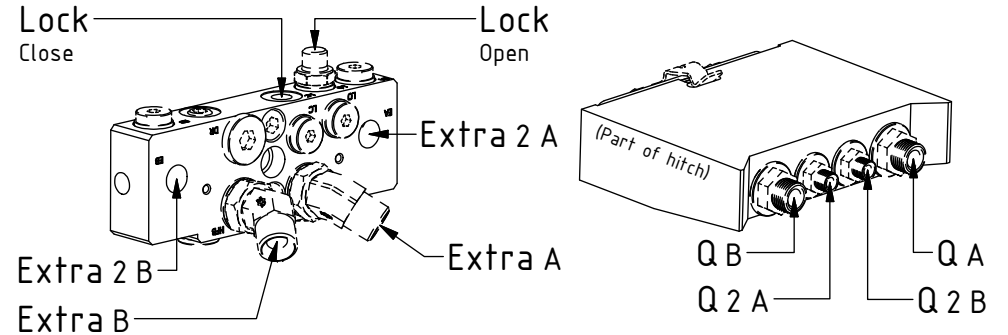
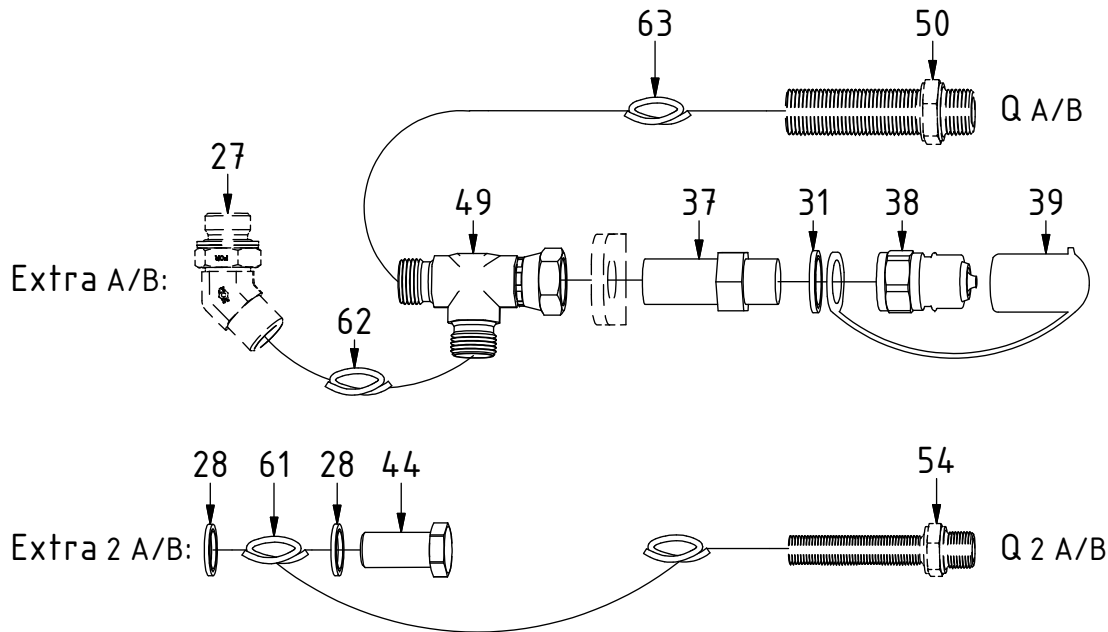


See instruction,
Standard components

EC214 - QSD60



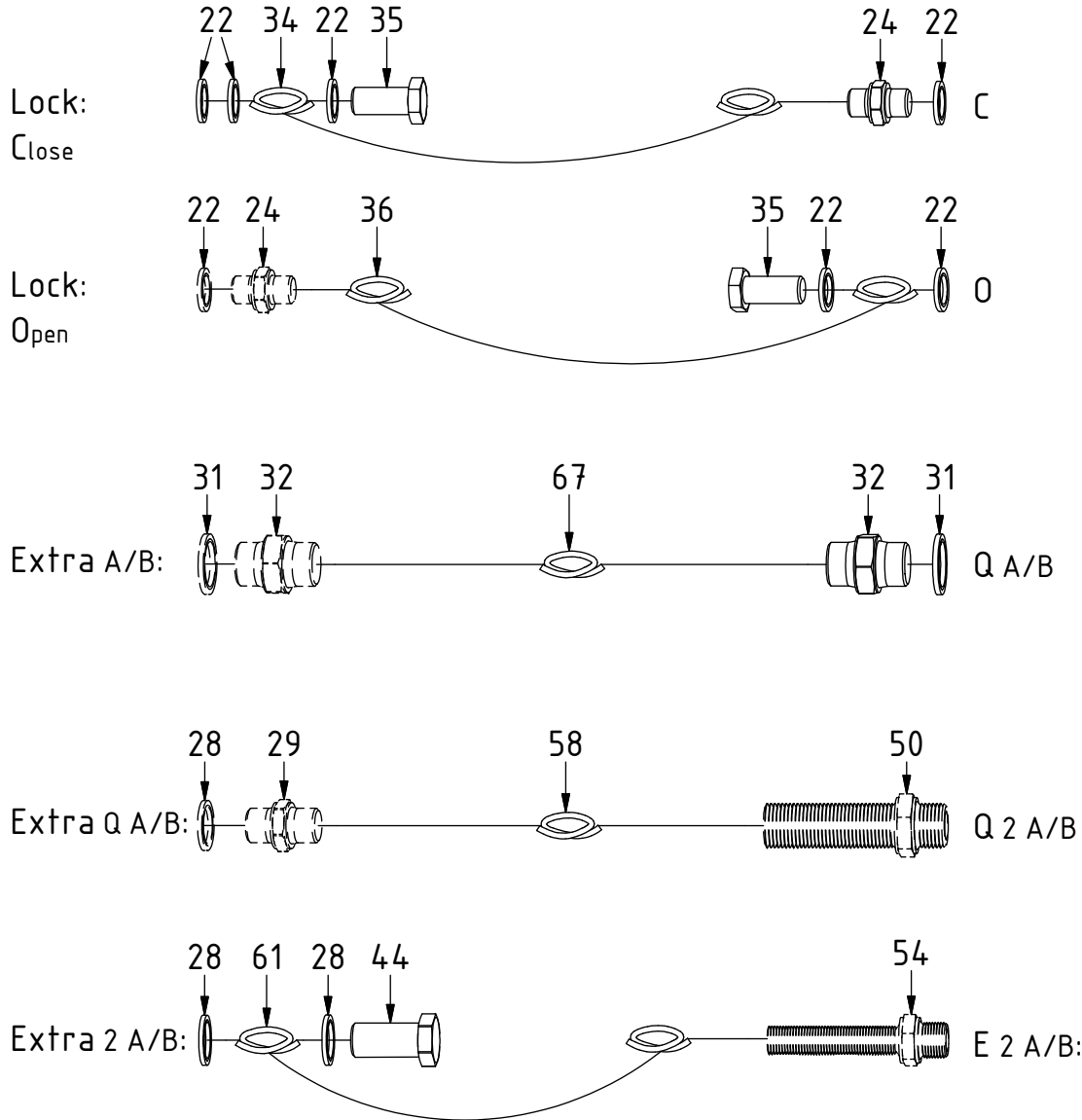
POS	DESCRIPTION	PART	QTY	COMMENTS
22	Sealing washer 1/4"	710702	12	QTY depends on config (10-13)
24	Adapter 138-04-29 (1/4")	710135	1	QTY depends on config (1-2)
27	Adapter 402-08-08 45° (1/2")	7000091	2	
28	Sealing washer 3/8"	710703	4	QTY depends on config (4-10)
31	Sealing washer 1/2"	710704	2	QTY depends on config (2-8)
33	Hose Lock Short	742801	1	
35	Banjobolt 1/4"	710271	2	
36	Hose Lock Long	742802	1	
37	Adapter 1260-08-08 (1/2")	710244	2	Loctite 2700
38	Quick coupling 1/2"	790115	2	
39	Dust protection 1/2"	790121	2	
44	Banjobolt 3/8"	710272	2	
49	Adapter 855-08-08 (1/2")	7000175	2	
50	Adapter 1260-08-58 (1/2")	1035715	2	
54	Adapter 1261-06-62 (3/8"-1/4")	1038197	2	
59	Hose kit - QSD60-Q	7000612	1	(POS.61-63 included)
61	Hose Extra 2 - QSD-Q	7000178	2	
62	Hose Extra - QSD-Q	7000611	2	
63	Hose Extra - QSD-Q - Bridge	7000610	2	
71	Adapter 402-04-04 45° (1/4")	7000104	1	



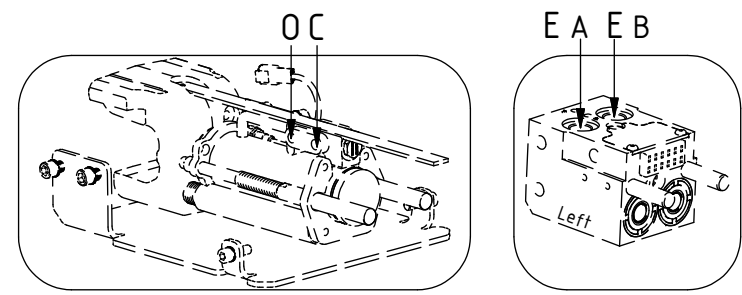
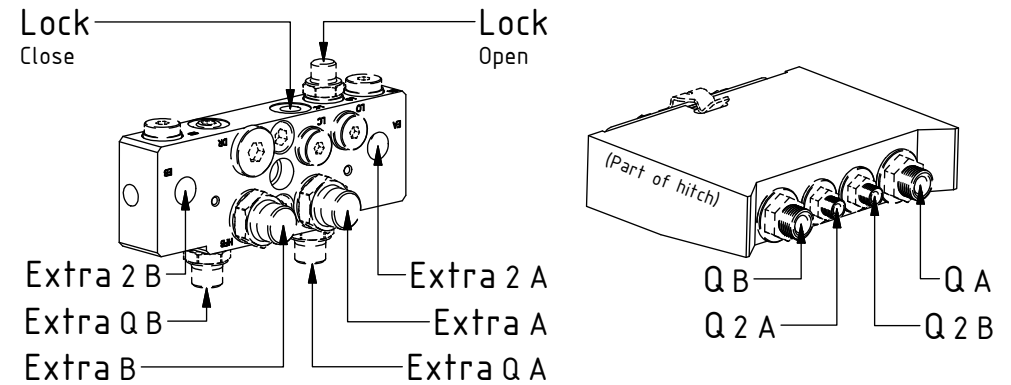
See instruction,
Standard components

EC214 - QSD60

QSD-Q EC-Oil:



POS	DESCRIPTION	PART	QTY	COMMENTS
22	Sealing washer 1/4"	710702	12	QTY depends on config (10-13)
24	Adapter 138-04-29 (1/4")	710135	1	QTY depends on config (1-2)
28	Sealing washer 3/8"	710703	4	QTY depends on config (4-10)
29	Adapter 136-06-06 (3/8")	710106	2	
31	Sealing washer 1/2"	710704	2	QTY depends on config (2-8)
32	Adapter 136-08-08 (1/2")	710108	4	
34	Hose Lock Short EC-Oil	7000304	1	
35	Banjobolt 1/4"	710271	2	
36	Hose Lock Long	742802	1	
44	Banjobolt 3/8"	710272	2	
50	Adapter 1260-08-58 (1/2")	1035715	2	
54	Adapter 1261-06-62 (3/8"-1/4")	1038197	2	
58	Hose SWD - QSD-Q EC-Oil	7000290	2	
60	Hose kit - QSD60-Q EC-Oil	7000288	1	(POS.58, 61, 67 included)
61	Hose Extra 2 - QSD-Q	7000178	2	
67	Hose Extra - EC-Oil	7000013	2	QTY:1 for QSD-Q EC-Oil 2Bl. 2HF



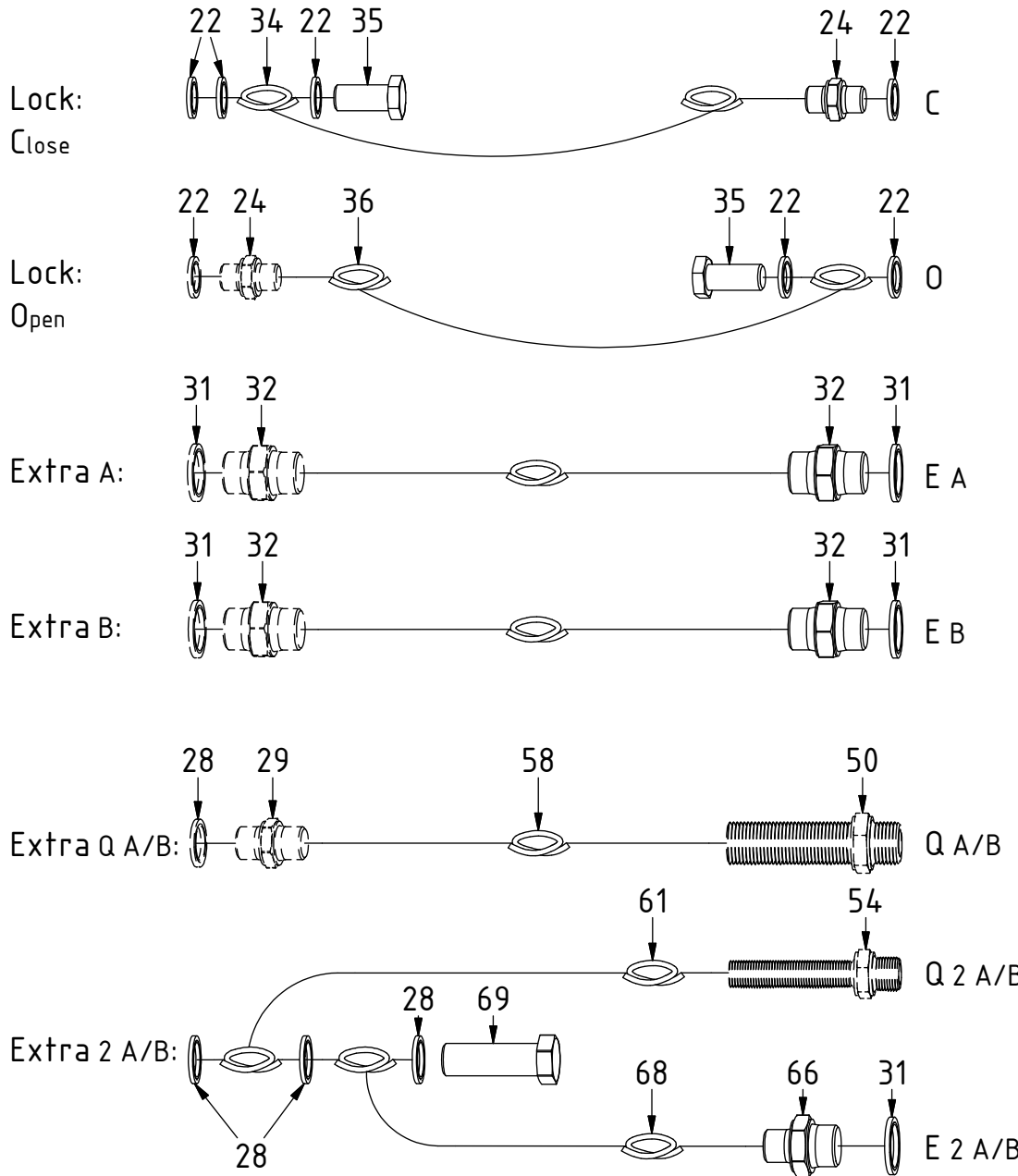
See instruction,
Standard components

See instruction,
EC-Oil components

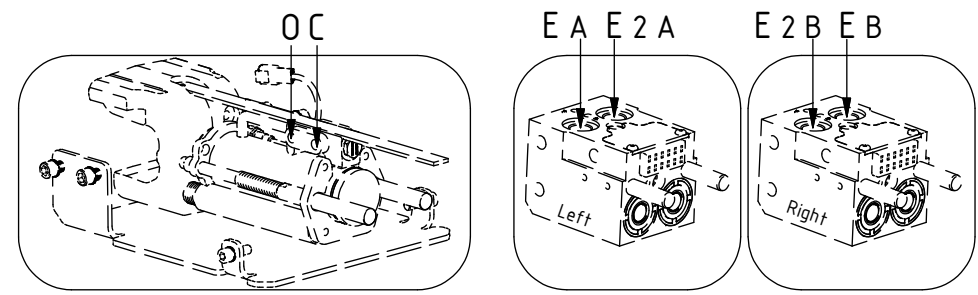
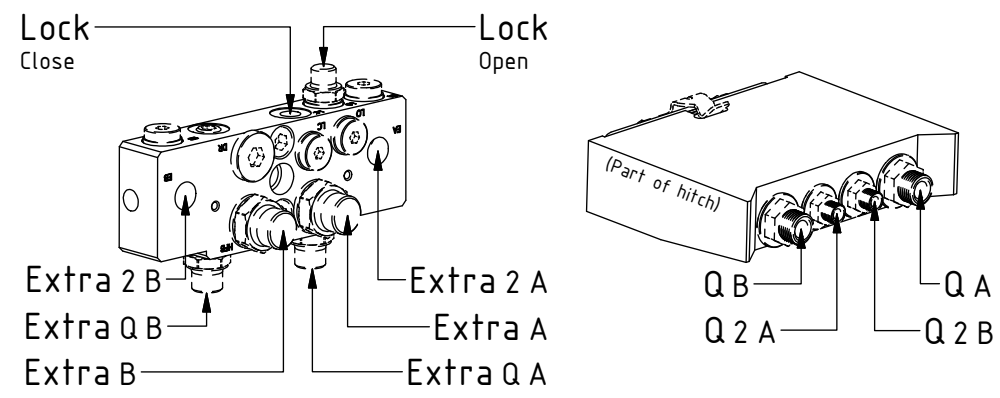
EC214 - QSD60

POS in order of assembly

QSD-Q EC-Oil 2Bl. 2HF:

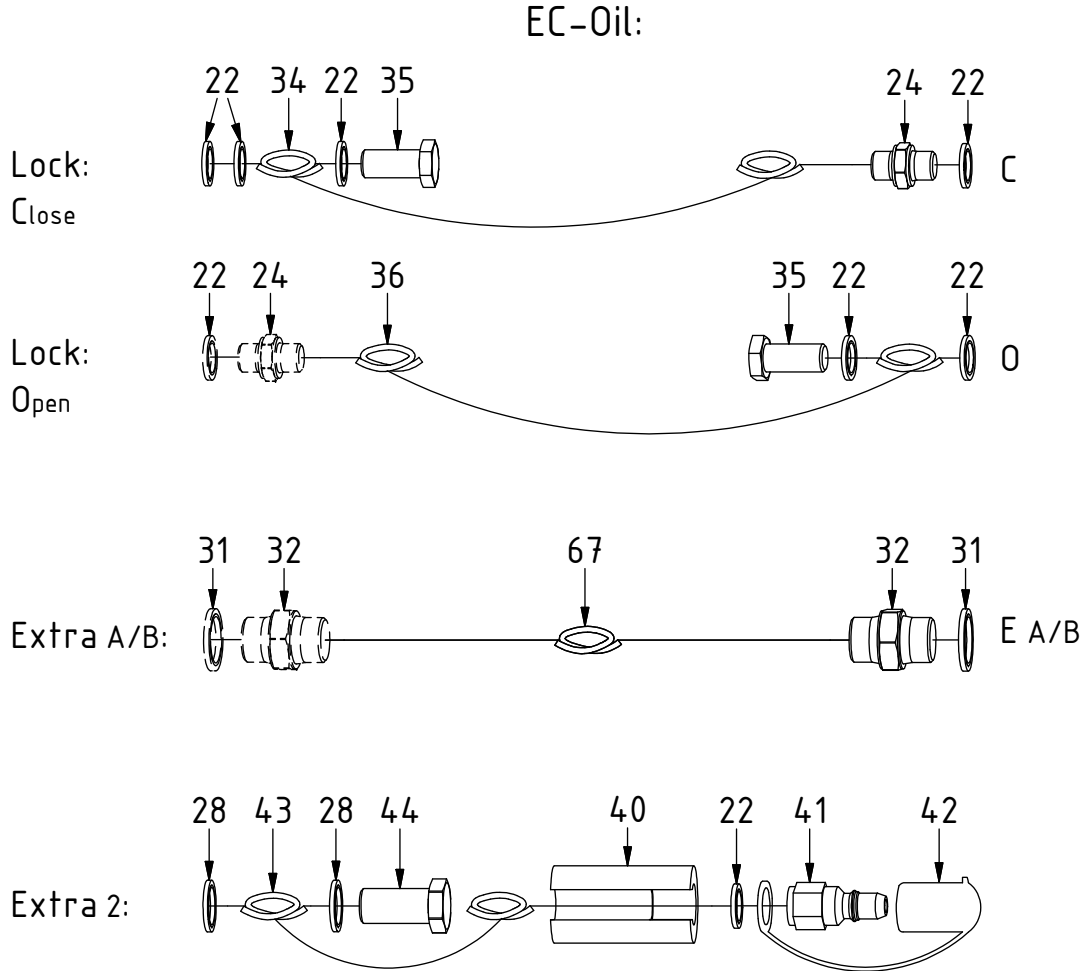


POS	DESCRIPTION	PART	QTY	COMMENTS
22	Sealing washer 1/4"	710702	12	QTY depends on config (10-13)
24	Adapter 138-04-29 (1/4")	710135	1	QTY depends on config (1-2)
28	Sealing washer 3/8"	710703	4	QTY depends on config (4-10)
29	Adapter 136-06-06 (3/8")	710106	2	
31	Sealing washer 1/2"	710704	2	QTY depends on config (2-8)
32	Adapter 136-08-08 (1/2")	710108	4	
34	Hose Lock Short EC-Oil	7000304	1	
35	Banjobolt 1/4"	710271	2	
36	Hose Lock Long	742802	1	
50	Adapter 1260-08-58 (1/2")	1035715	2	
54	Adapter 1261-06-62 (3/8"-1/4")	1038197	2	
58	Hose SWD - QSD-Q EC-Oil	7000290	2	
61	Hose Extra 2 - QSD-Q	7000178	2	
66	Adapter 135-06-08 (3/8"-1/2")	710122	2	
68	Hose Extra	7000373	2	
69	Banjobolt extended 3/8"	710273	2	

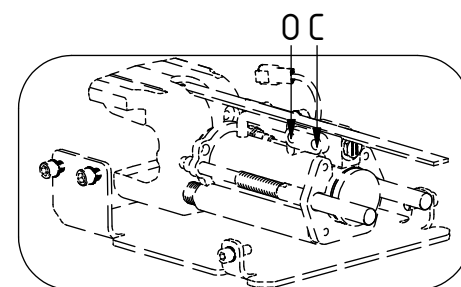
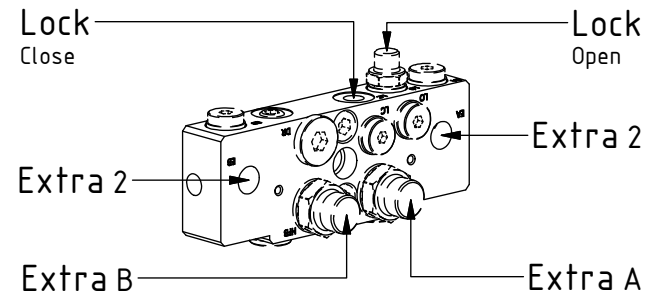


See instruction,
Standard components

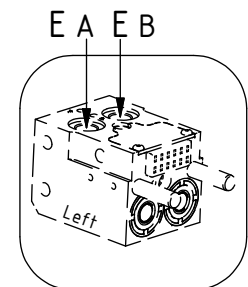
See instruction,
EC-Oil components



POS	DESCRIPTION	PART	QTY	COMMENTS
22	Sealing washer 1/4"	710702	12	QTY depends on config (10-13)
24	Adapter 138-04-29 (1/4")	710135	1	QTY depends on config (1-2)
28	Sealing washer 3/8"	710703	4	QTY depends on config (4-10)
31	Sealing washer 1/2"	710704	2	QTY depends on config (2-8)
32	Adapter 136-08-08 (1/2")	710108	4	
34	Hose Lock Short EC-Oil	7000304	1	
35	Banjobolt 1/4"	710271	2	
36	Hose Lock Long	742802	1	
40	Hose holder QSD60	1038799	2	
41	Quick Coupling 1/4" Male	790111	2	
42	Dust protection 1/4"	790119	2	
43	Hose Extra 2	7000287	2	
44	Banjobolt 3/8"	710272	2	
67	Hose Extra - EC-Oil	7000013	2	QTY:1 for QSD-Q EC-Oil 2Bl. 2HF

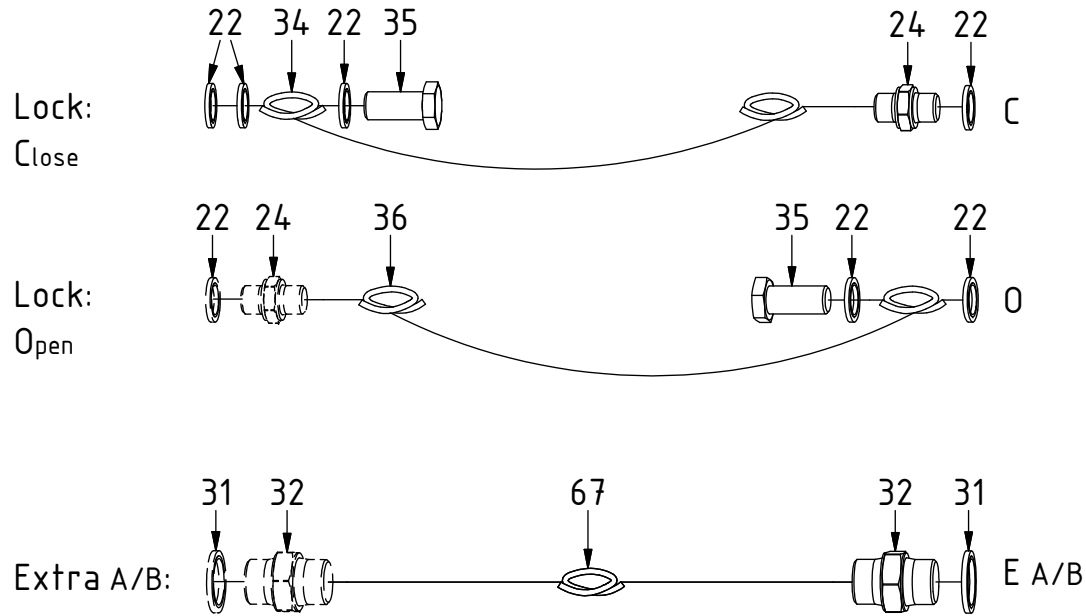


See instruction, Standard components

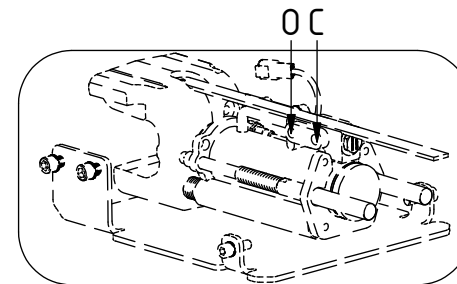
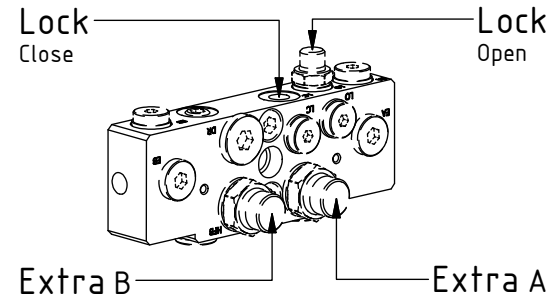


See instruction, EC-Oil components

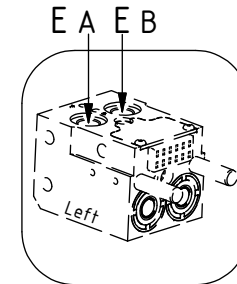
EC-Oil HF:



POS	DESCRIPTION	PART	QTY	COMMENTS
22	Sealing washer 1/4"	710702	12	QTY depends on config (10-13)
24	Adapter 138-04-29 (1/4")	710135	1	QTY depends on config (1-2)
31	Sealing washer 1/2"	710704	2	QTY depends on config (2-8)
32	Adapter 136-08-08 (1/2")	710108	4	
34	Hose Lock Short EC-Oil	7000304	1	
35	Banjobolt 1/4"	710271	2	
36	Hose Lock Long	742802	1	
67	Hose Extra - EC-Oil	7000013	2	QTY:1 for QSD-Q EC-Oil 2Bl, 2HF

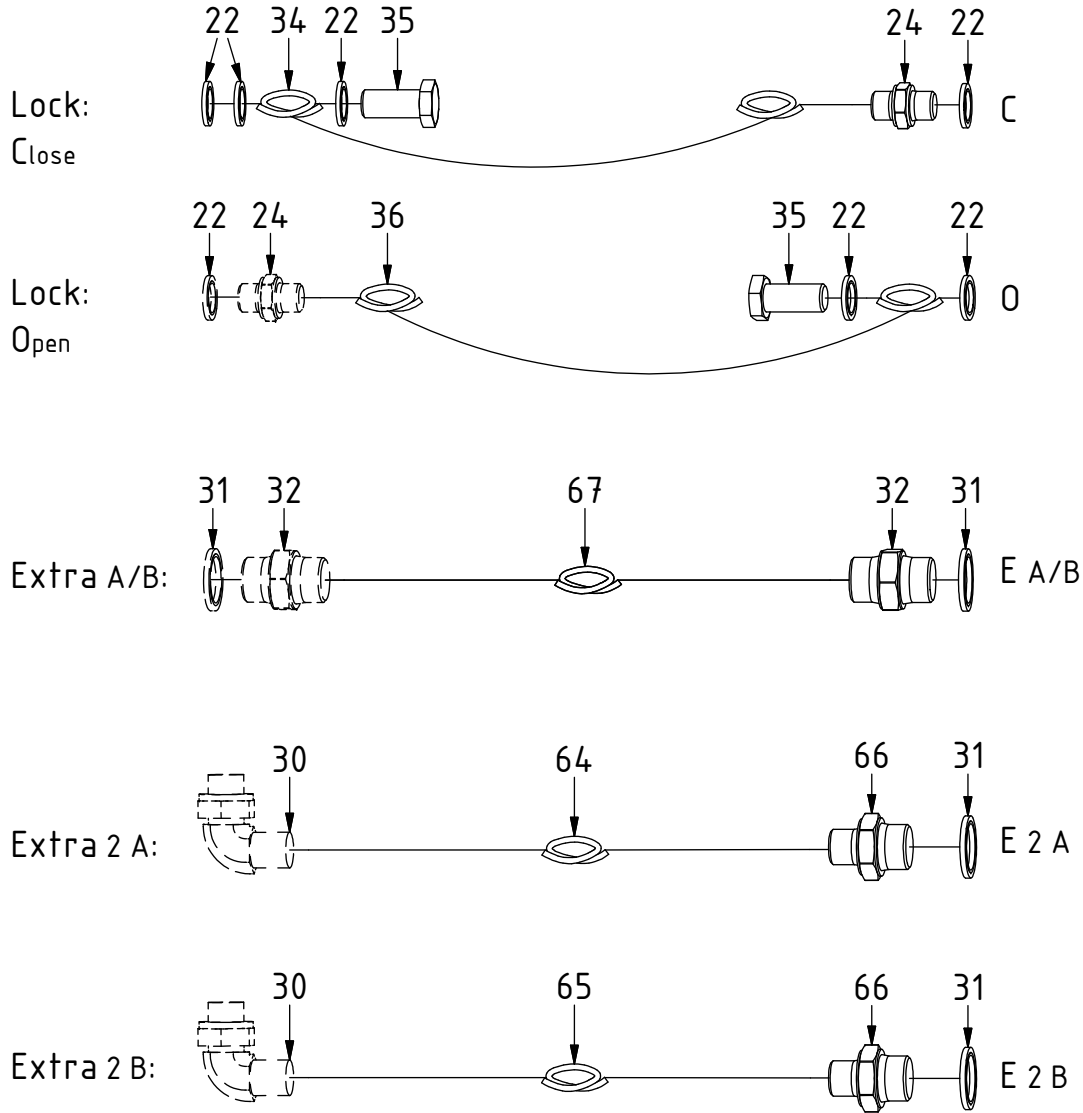


See instruction,
Standard components

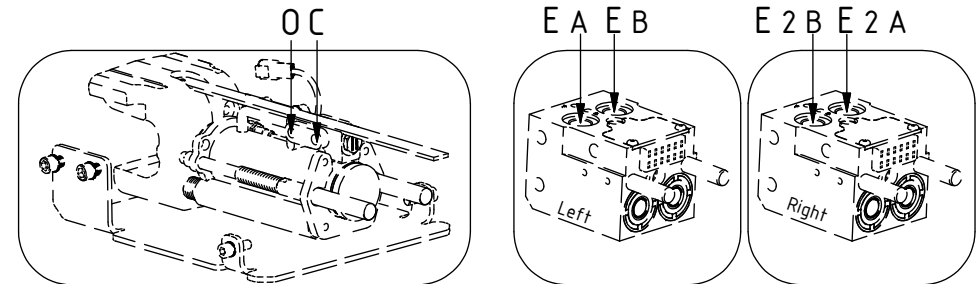
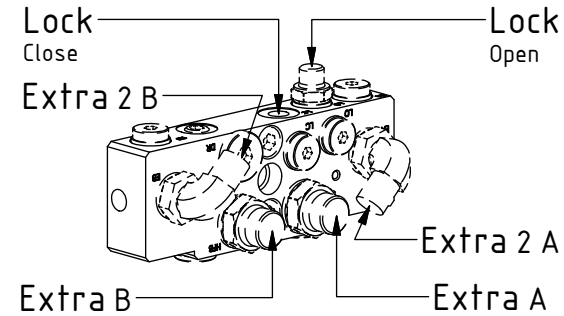


See instruction,
EC-Oil components

EC-Oil Dbl.Extra:



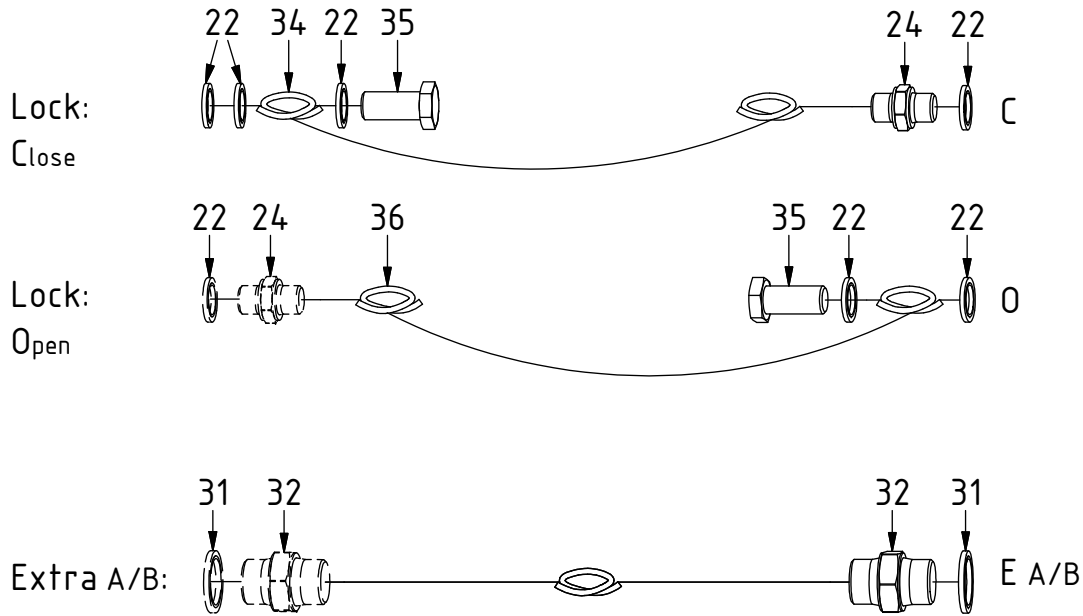
POS	DESCRIPTION	PART	QTY	COMMENTS
22	Sealing washer 1/4"	710702	12	QTY depends on config (10-13)
24	Adapter 138-04-29 (1/4")	710135	1	QTY depends on config (1-2)
30	Adapter 401-06-06 90° (3/8")	710152	2	
31	Sealing washer 1/2"	710704	2	QTY depends on config (2-8)
32	Adapter 136-08-08 (1/2")	710108	4	
34	Hose Lock Short EC-Oil	7000304	1	
35	Banjobolt 1/4"	710271	2	
36	Hose Lock Long	742802	1	
64	Hose Extra 2 Long	7000224	1	
65	Hose Extra 2 Short	7000223	1	
66	Adapter 135-06-08 (3/8"-1/2")	710122	2	
67	Hose Extra - EC-Oil	7000013	2	QTY:1 for QSD-Q EC-Oil 2BL, 2HF



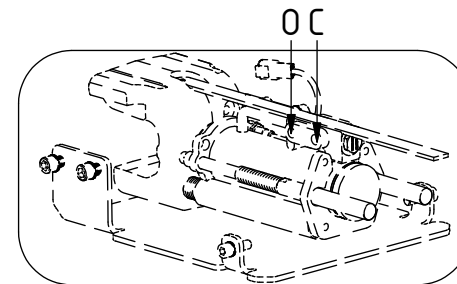
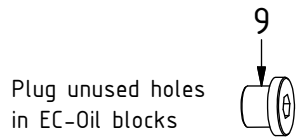
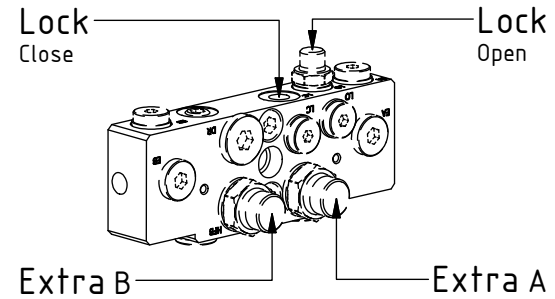
See instruction,
Standard components

See instruction,
EC-Oil components

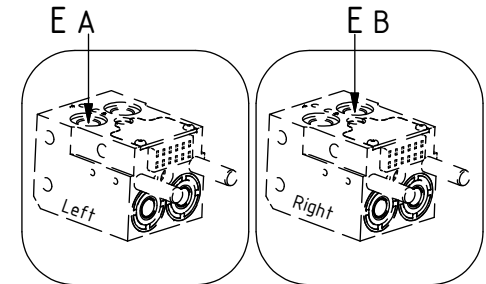
EC-Oil 2Bl. HF:



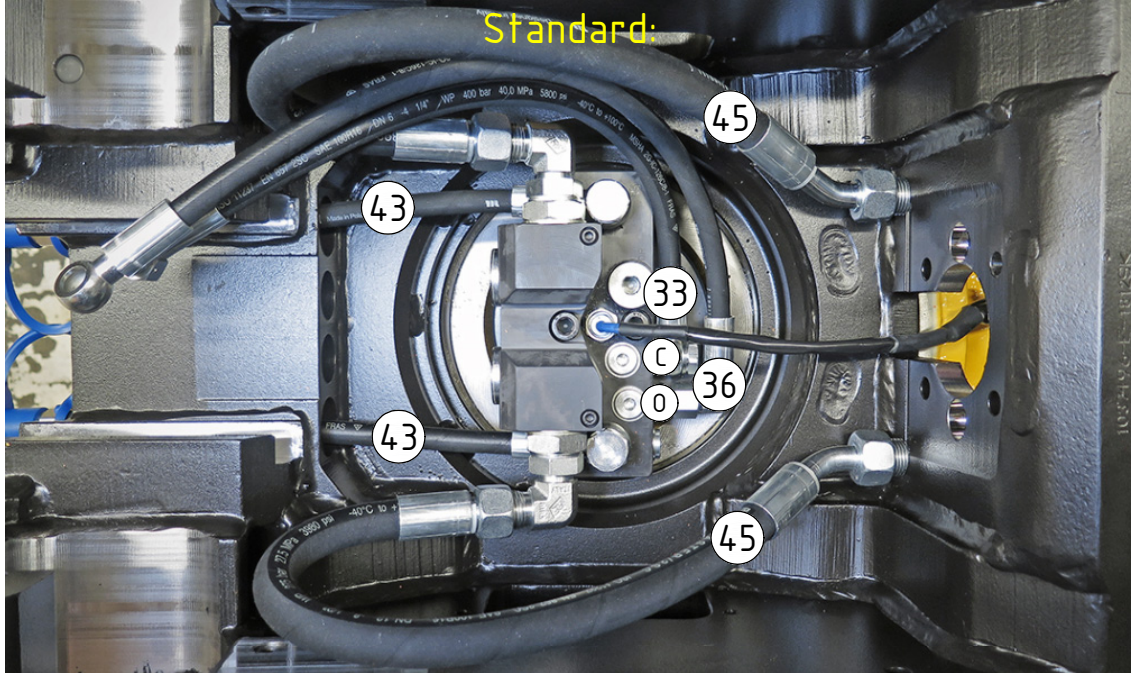
POS	DESCRIPTION	PART	QTY	COMMENTS
9	Plug 1/2"	711500	1	QTY depends on config (1-3)
22	Sealing washer 1/4"	710702	12	QTY depends on config (10-13)
24	Adapter 138-04-29 (1/4")	710135	1	QTY depends on config (1-2)
31	Sealing washer 1/2"	710704	2	QTY depends on config (2-8)
32	Adapter 136-08-08 (1/2")	710108	4	
34	Hose Lock Short EC-Oil	7000304	1	
35	Banjobolt 1/4"	710271	2	
36	Hose Lock Long	742802	1	



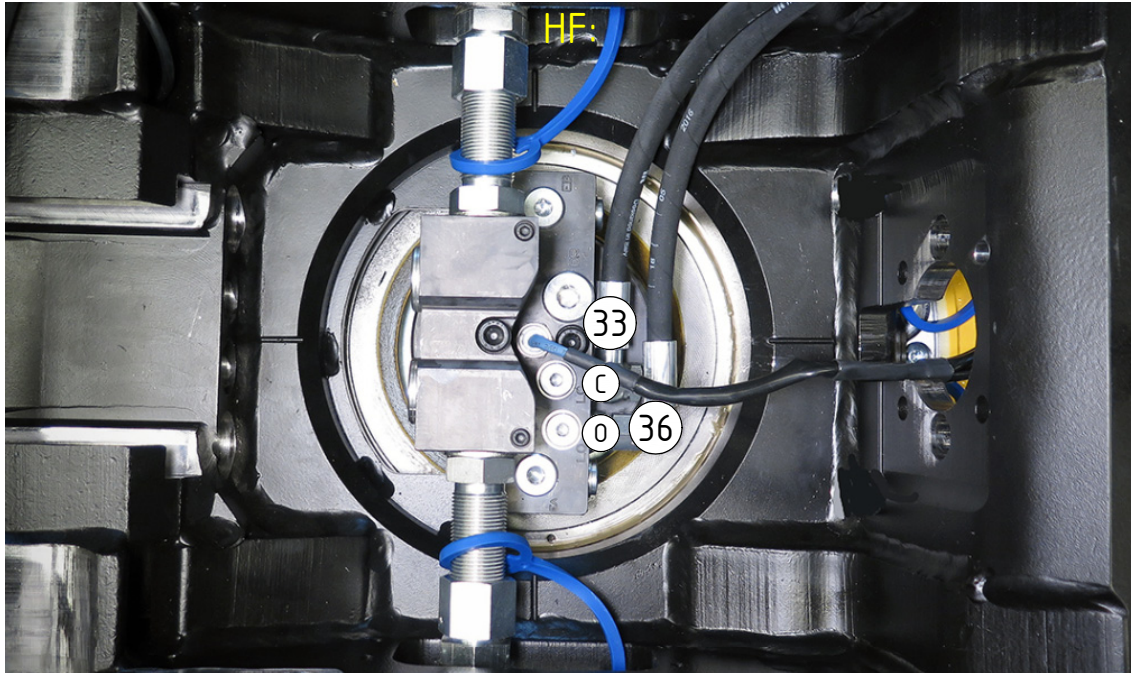
See instruction,
Standard components



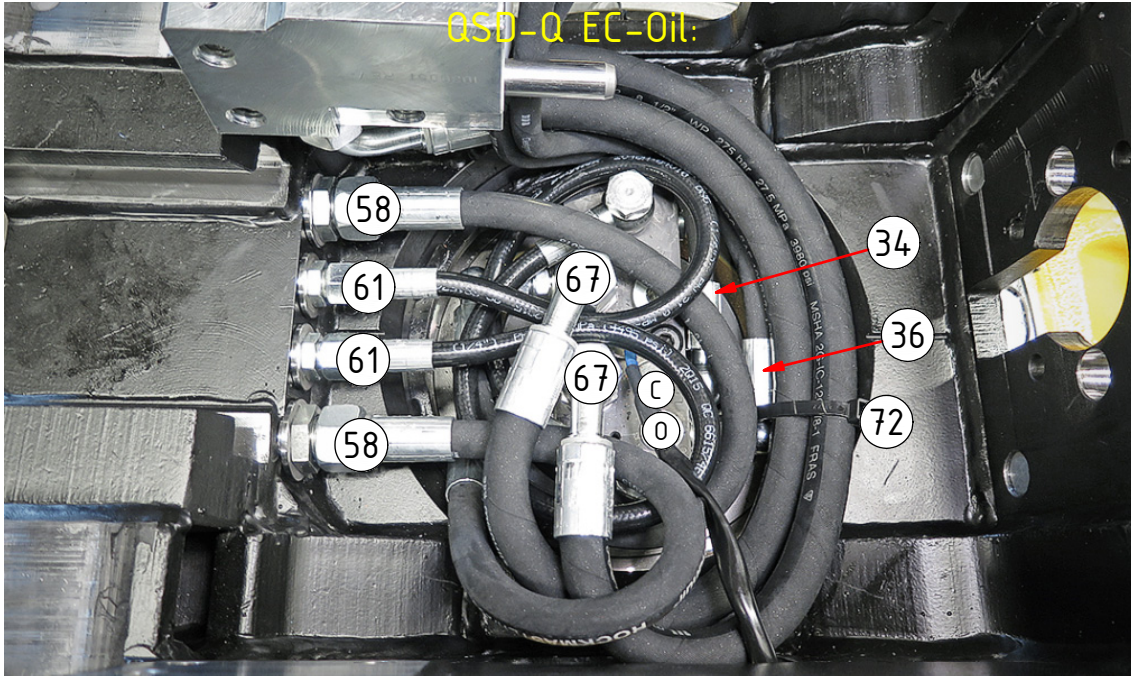
See instruction,
EC-Oil components



POS	DESCRIPTION	PART	QTY	COMMENTS
33	Hose Lock Short	742801	1	
36	Hose Lock Long	742802	1	
43	Hose Extra 2	7000287	2	
45	Hose Extra	7000661	2	

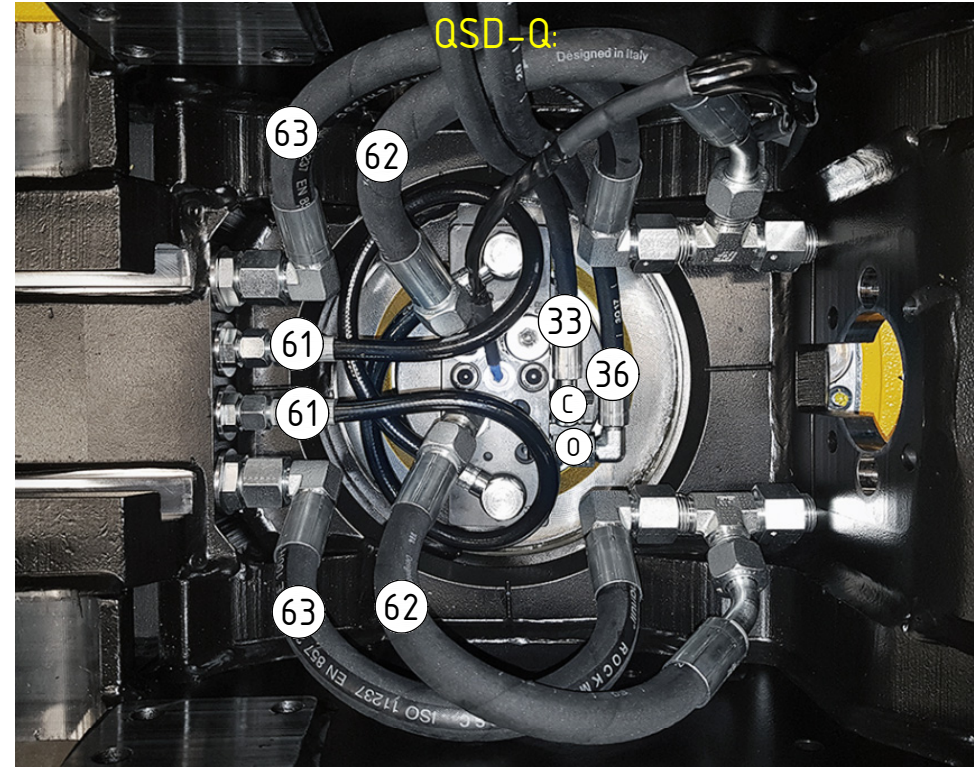


EC214 - QSD60

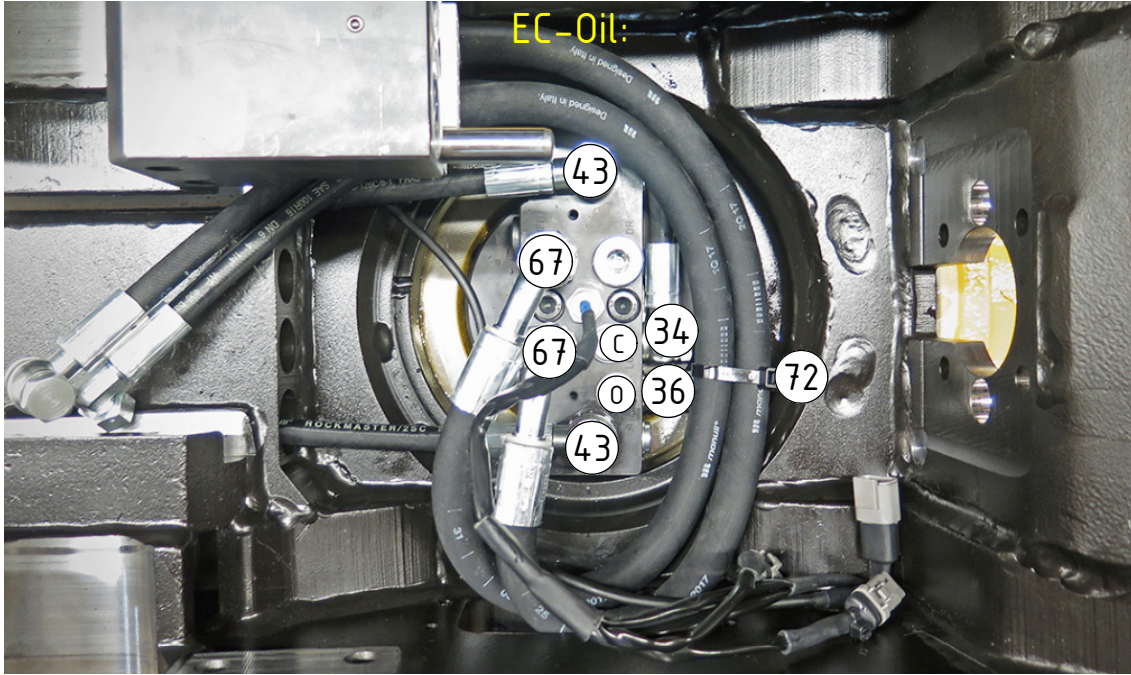


POS	DESCRIPTION	PART	QTY	COMMENTS
33	Hose Lock Short	742801	1	
34	Hose Lock Short EC-Oil	7000304	1	
36	Hose Lock Long	742802	1	
58	Hose SWD - QSD-Q EC-Oil	7000290	2	
59	Hose kit - QSD60-Q	7000612	1	(POS.61-63 included)
60	Hose kit - QSD60-Q EC-Oil	7000288	1	(POS.58, 61, 67 included)
61	Hose Extra 2 - QSD-Q	7000178	2	
62	Hose Extra - QSD-Q	7000611	2	
63	Hose Extra - QSD-Q - Bridge	7000610	2	
67	Hose Extra - EC-Oil	7000013	2	QTY:1 for QSD-Q EC-Oil 2Bl. 2HF
72	Cable tie 7,8x360	1021587	1	Mount around POS.36

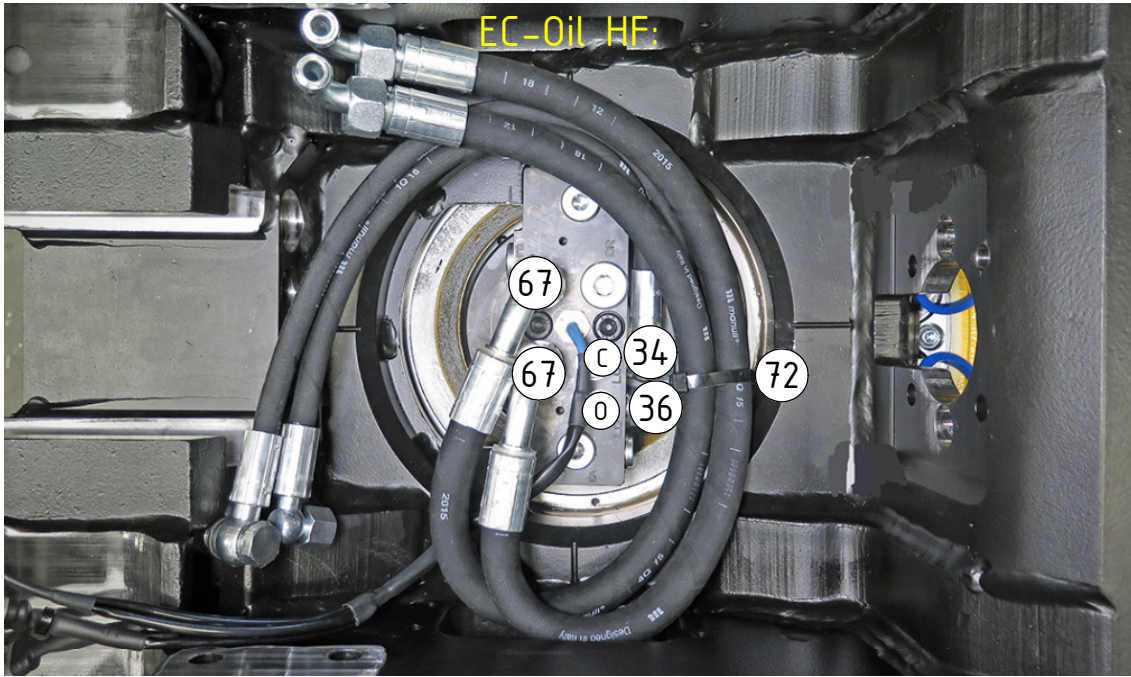
Photo needed: QSD-Q EC-Oil 2BL. 2HF with correct hoses



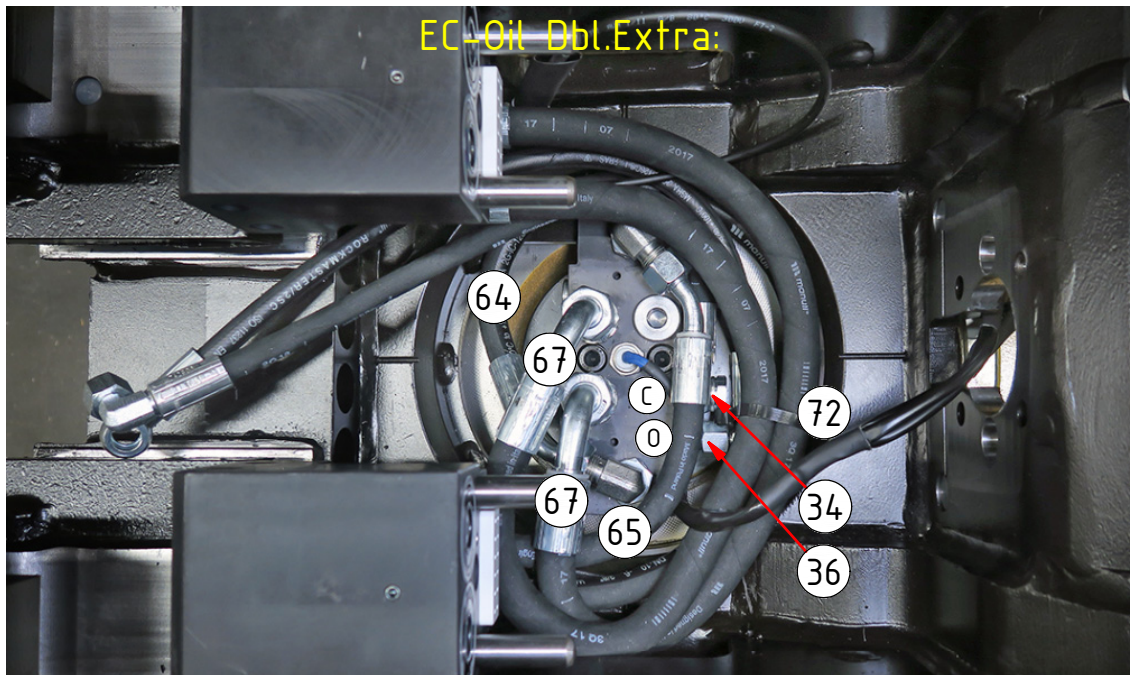
EC214 - QSD60



POS	DESCRIPTION	PART	QTY	COMMENTS
34	Hose Lock Short EC-Oil	7000304	1	
36	Hose Lock Long	742802	1	
43	Hose Extra 2	7000287	2	
67	Hose Extra - EC-Oil	7000013	2	QTY:1 for QSD-Q EC-Oil 2Bl. 2HF
72	Cable tie 7,8x360	1021587	1	Mount around POS.36



EC-Oil Dbl.Extra:



POS	DESCRIPTION	PART	QTY	COMMENTS
34	Hose Lock Short EC-Oil	7000304	1	
36	Hose Lock Long	742802	1	
64	Hose Extra 2 Long	7000224	1	
65	Hose Extra 2 Short	7000223	1	
67	Hose Extra - EC-Oil	7000013	2	QTY:1 for QSD-Q EC-Oil 2Bl. 2HF
72	Cable tie 7,8x360	1021587	1	Mount around POS.36

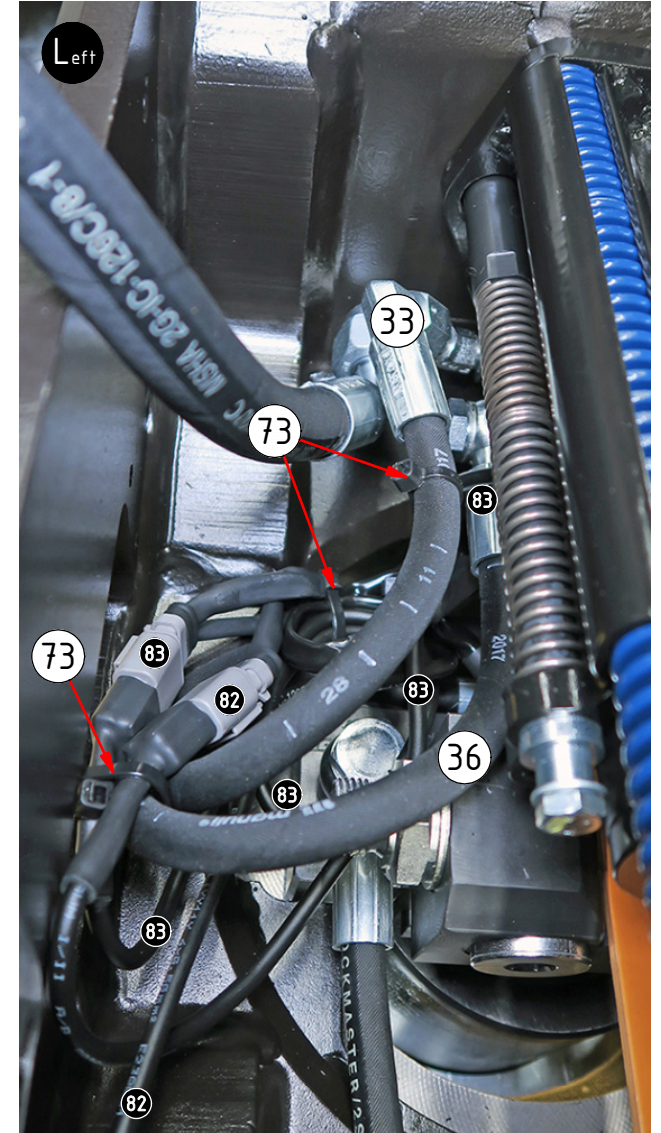
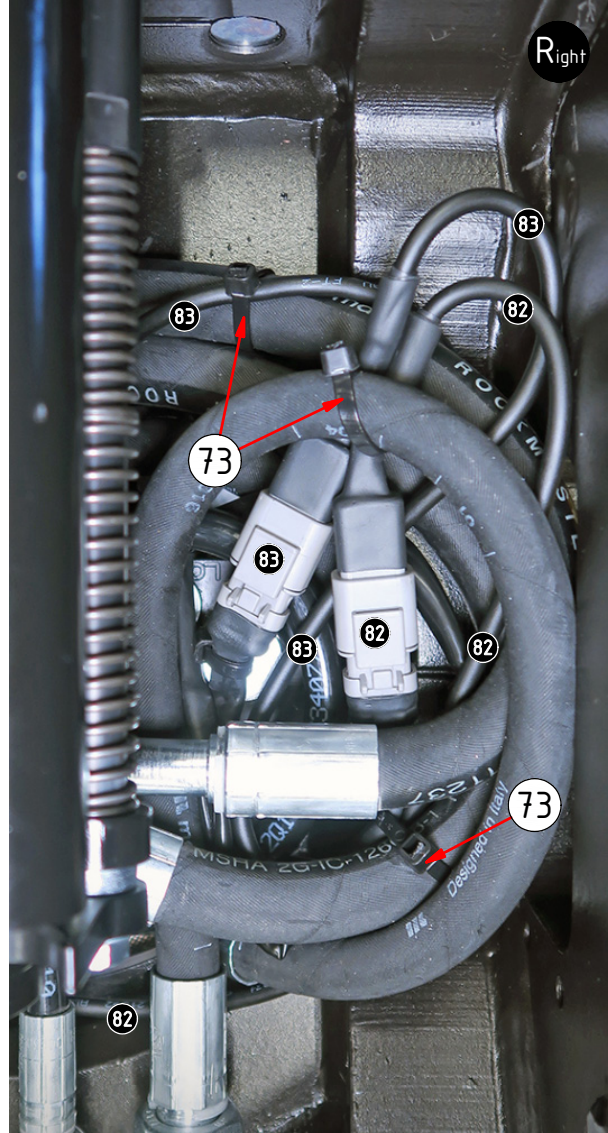
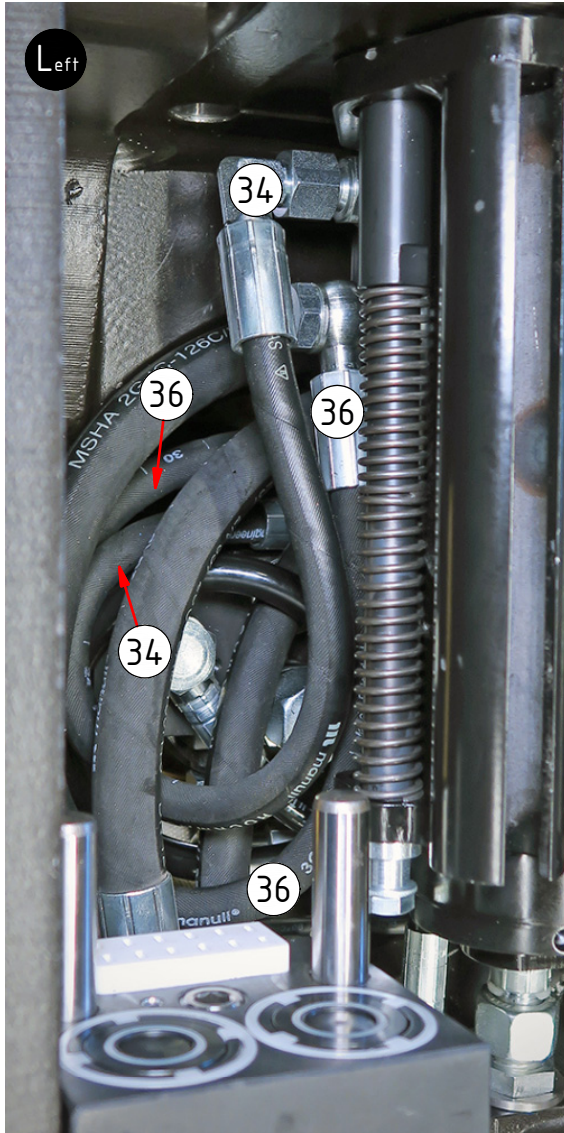
Photo needed: EC-Oil 2Bl. HF

Lock hoses & cables:

POS	DESCRIPTION	PART	QTY	COMMENTS
33	Hose Lock Short	742801	1	
34	Hose Lock Short EC-Oil	7000304	1	
36	Hose Lock Long	742802	1	
73	Cable tie 4,8x360	1021586	3	
82	Sensor cable from Hook			Part of Standard components
83	Sensor cable from Cylinder			Part of Standard components

With EC-Oil

Without EC-Oil

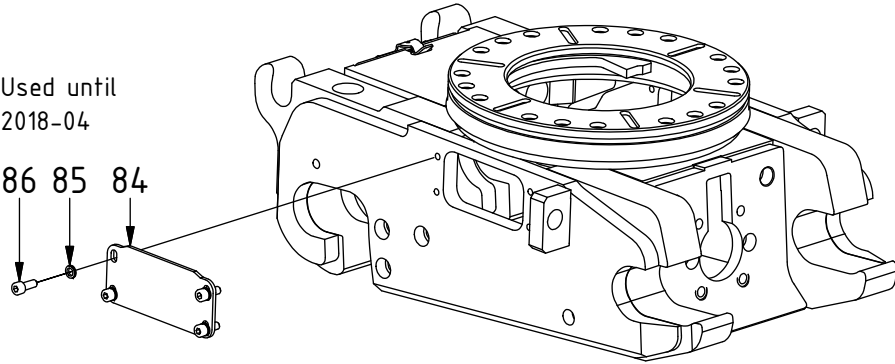


Related spare parts:

POS	DESCRIPTION	PART	QTY	COMMENTS
31	Sealing washer 1/2"	710704	2	QTY depends on config (2-8)
32	Adapter 136-08-08 (1/2")	710108	4	
84	Cover plate QS60	1025118	2	Used until 2018-04
85	Washer NL8	611040	8	Used until 2018-04
86	Screw MC6S 8x20	610433	8	Used until 2018-04
87	Adapter 135-08-12 (1/2"-3/4")	710109	2	Used until 2018-05
89	Hose Extra	7000292	2	Used until 2018-05
90	Hose Extra - QSD-Q	7000180	2	Used until 2018-01
91	Hose Extra - QSD-Q - Bridge	7000179	2	Used until 2018-01

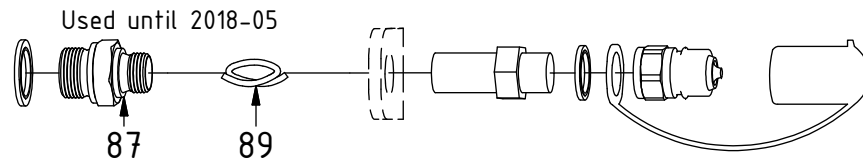
Used until
2018-04

86 85 84



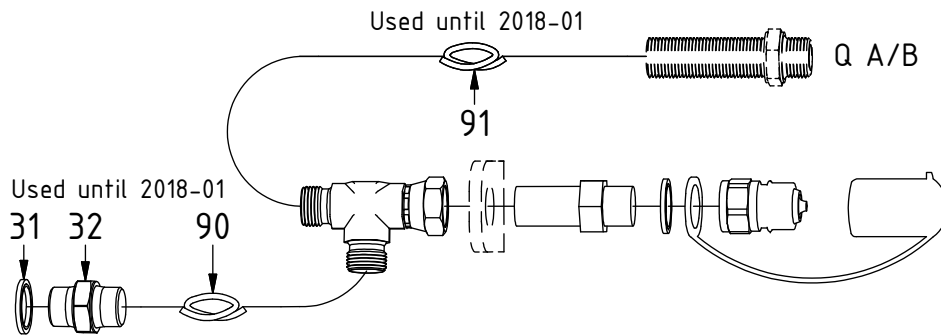
Standard

Extra:

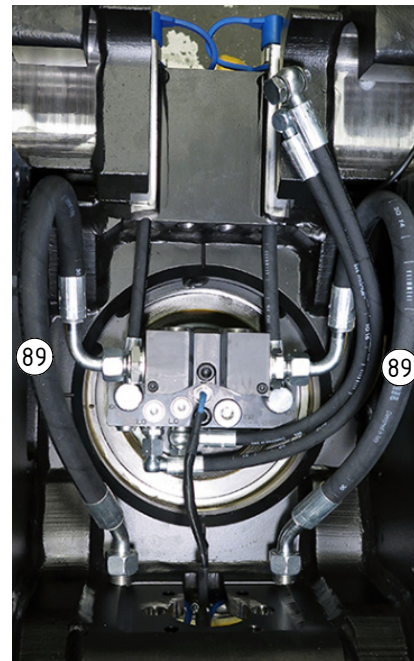


QSD-Q

Extra A/B:



Standard



QSD-Q

