

## COVERSHEET

## Planned document changes:


**Briefly:**



---

 No planned changes.

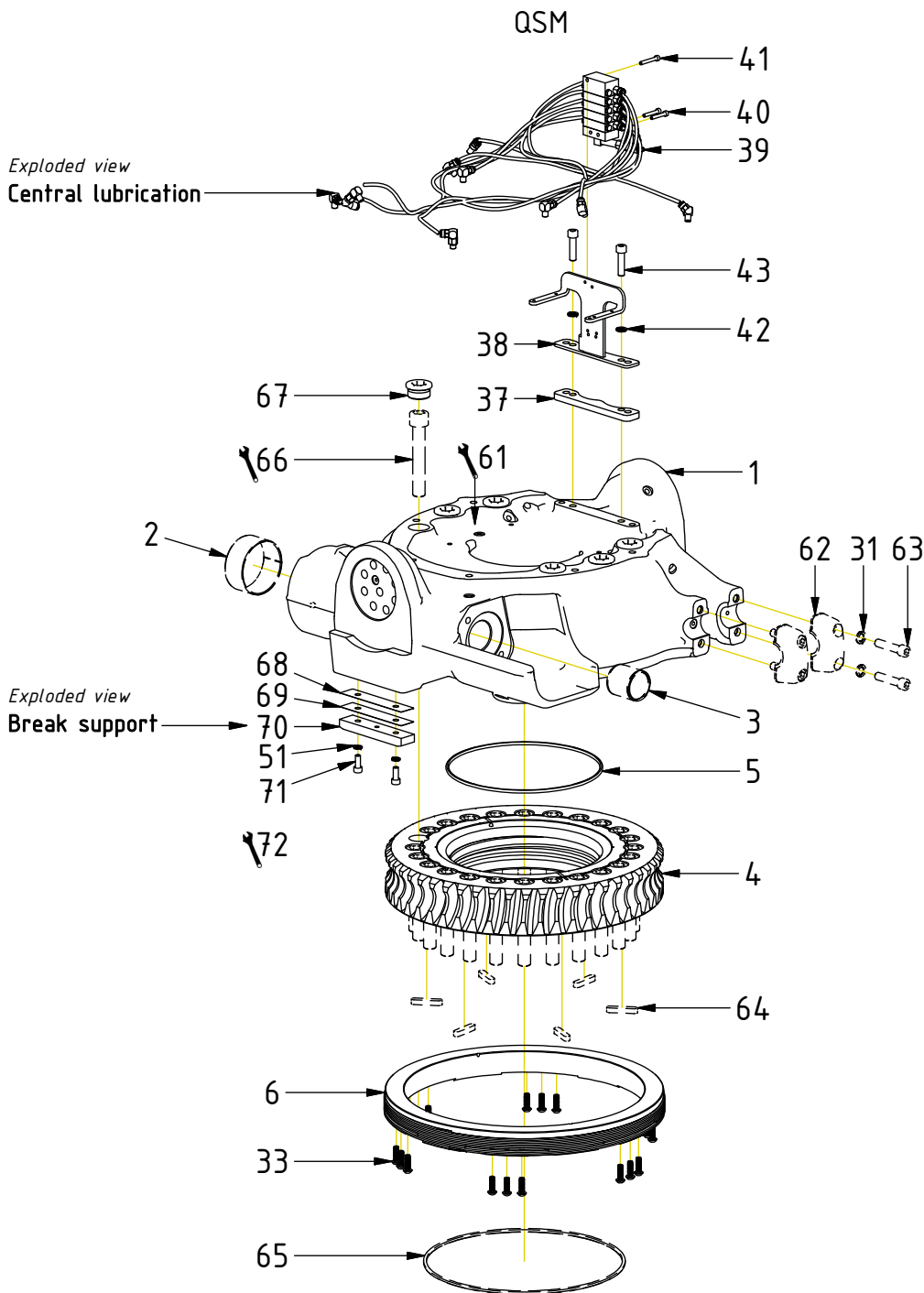
## Document changes:

Date:	Change:	Rev. after change:
2024-10-01	Bearing ring replaced. Grease nipple to frame added.	Q
2023-10-27	Loxal added. O-ring for worm wheel updated.	P
2022-05-11	EC226S added. (EC226 with ePS2 sensors).	O
2022-01-20	Details for end lock added.	N
2021-05-28	Bearing ring updated.	M
2020-10-20	Motor hose ECHF replaced. Photo replaced.	L
2020-08-19	Worm wheel, bearing ring, end lock, ePS cover replaced.	K
2020-01-23	Layout/irrelevant.	J
2019-04-24	QSM added (also applicable for "Without swivel")	I
2019-02-18	QTY for top part details corrected.	H
2018-07-31	Part no for shim kit added.	G
2018-07-03	Layout/irrelevant.	F
2018-07-02	Bearing ring tightening updated.	E
2018-06-18	Layout/irrelevant.	D
2017-10-18	MACS sensor replaced, new distance 3mm.	C
2017-08-07	Layout/irrelevant.	B
2017-05-18	Coversheet added.	A

*Readers note:*
 Indicates instruction.

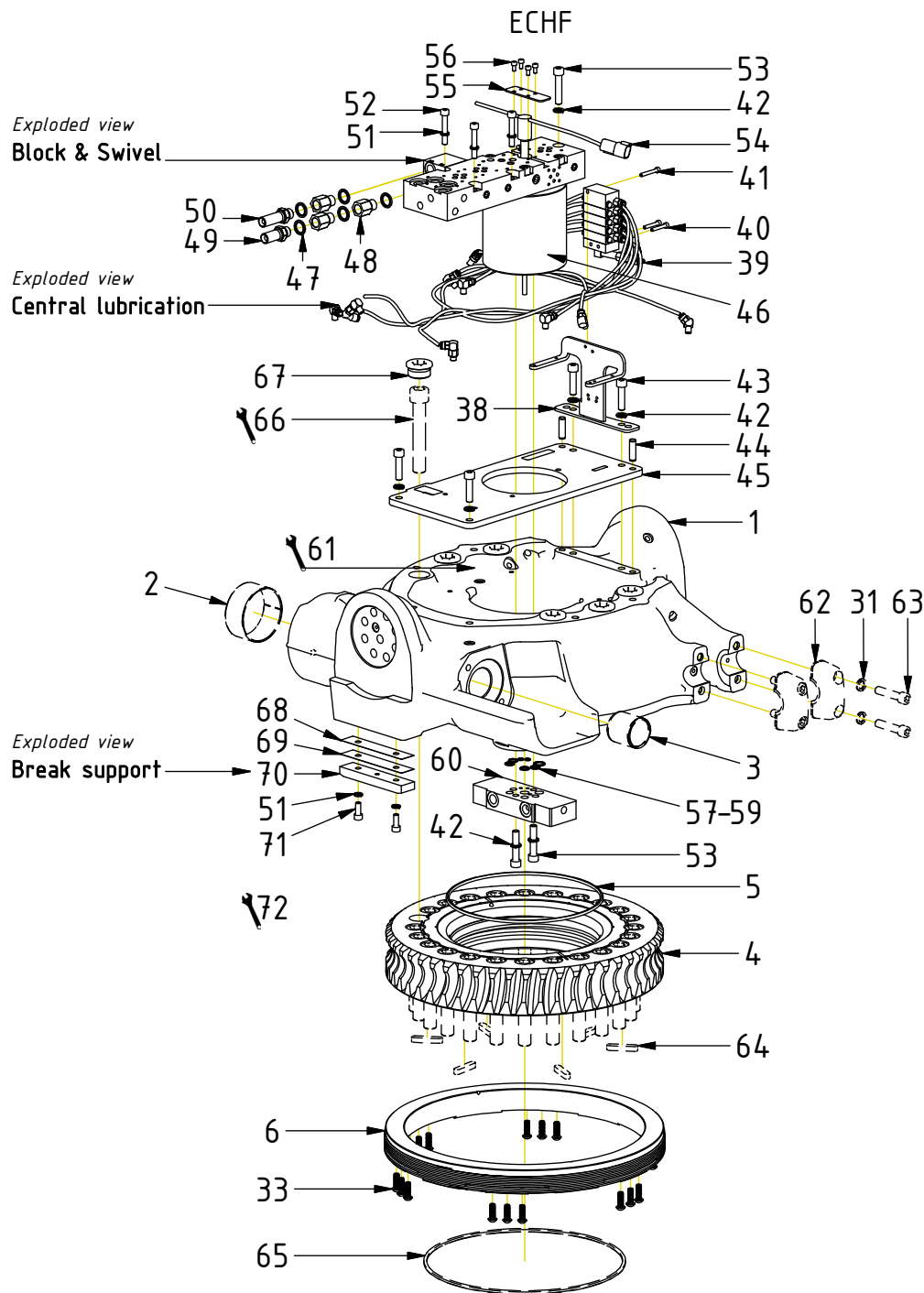
 Represents Hose.

Dashed lines for overview, mounts  
on other pages/assemblies.



POS	DESCRIPTION	PART	QTY	COMMENTS
1	Rotator frame EC226 V4	1023732	1	(POS.2-3 incl.)
2	Bushing 85/90x40	630319	1	
3	Bushing WB802 45/50x50	630102	1	
4	Worm wheel EC226 24 holes	1057021	1	
5	O-ring 242x5 NBR 90	7001663	1	
6	Bearing ring EC226 with steering	1077002	1	
31	Washer NL 12mm	611042	10	QTY: 8 part of top part assembly
33	Screw TX45 8x25 10,9 FZB	1078840	18	Torque: 34Nm Tighten in cross pattern
37	Spacer central lubrication QSM	1047832	1	
38	Mounting plate lube. ECHF/QSM	1031517	1	
39	Lubrication kit	1021136	1	
40	Screw MC6S M5x30 12.9	610403	2	
41	Screw MC6S M5x35 12.9	610404	1	
42	Washer NL 10mm	611041	2	QTY: 7 for ECHF
43	Screw MC6S M10x40 12.9 ZFSL	612020	2	QTY: 4 for ECHF. Torque: 79Nm
51	Washer NL 8mm	611040	2	QTY: 5 for ECHF
61	Punch serial no into rotator frame			
62	Clamping half Complete	1016393	4	Part of top part
63	Screw MC6S M12x55 12.9 ZFSL	6000155	8	Part of top part. Torque: 136Nm
64	Feather Key	650102	6	Part of quick hitch
65	O-ring 319,3x5,7	710908	1	Part of quick hitch
66	Screws depends on quick hitch		24	See "Quick hitch"
67	Pipe Plug M36x2	650408	6	
68	Shim supporting plate 0,1mm	1023344	1	
69	Shim supporting plate 0,3mm	1023447	1	
70	Supporting plate	1023292	1	
71	Screw MC6S M8x20 12.9 ZFSL	6000157	2	
72	Break play: 0,6mm - 0,8mm			Assy. between frame & quick hitch

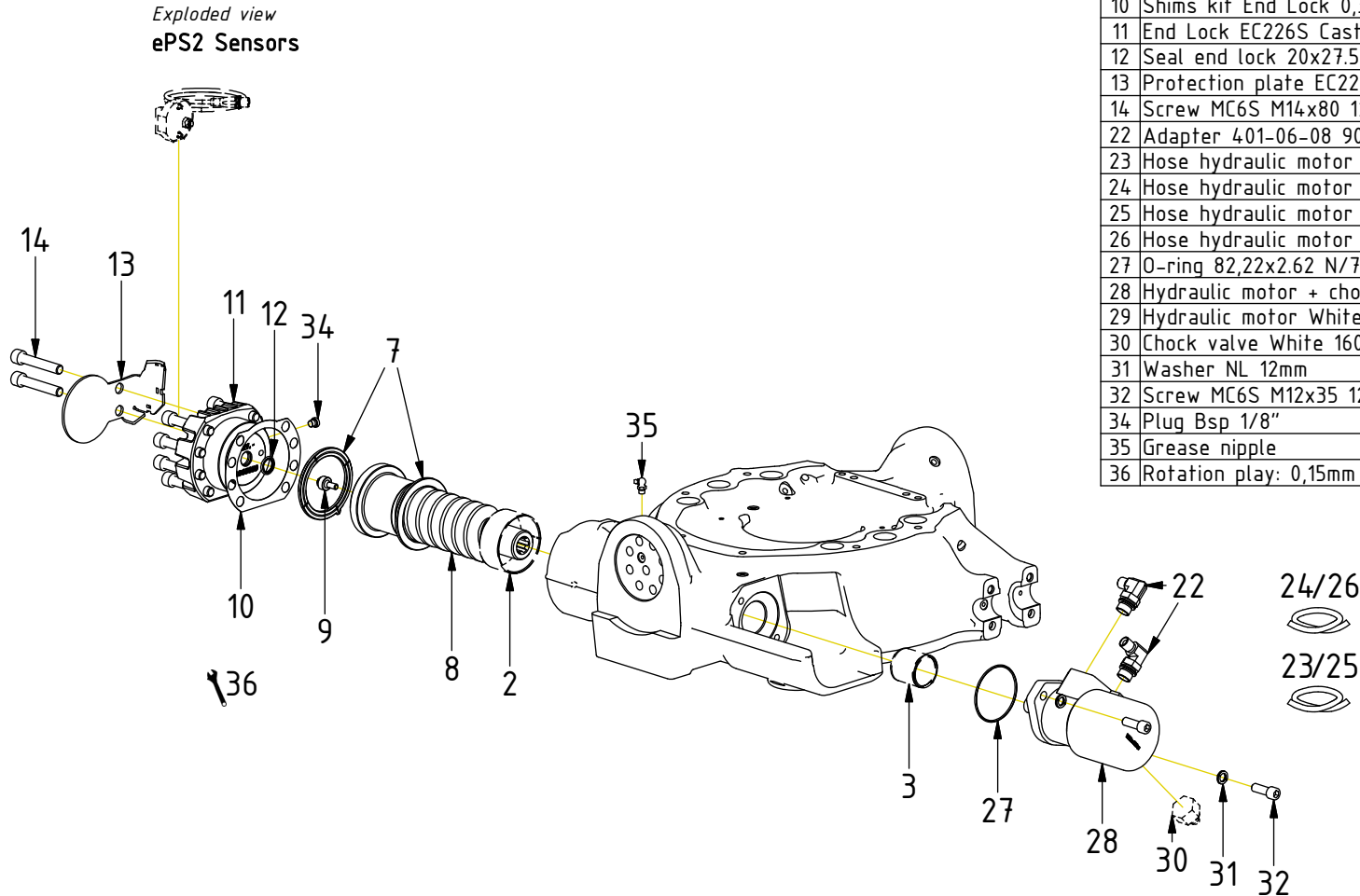
POS in order of assembly



POS	DESCRIPTION	PART	QTY	COMMENTS
1	Rotator frame EC226 V4	1023732	1	(POS.2-3 incl.)
2	Bushing 85/90x40	630319	1	
3	Bushing WB802 45/50x50	630102	1	
4	Worm wheel EC226 24 holes	1057021	1	
5	O-ring 242x5 NBR 90	7001663	1	
6	Bearing ring EC226 with steering	1077002	1	
31	Washer NL 12mm	611042	10	QTY: 8 part of top part assembly
33	Screw TX45 8x25 10,9 FZB	1078840	18	Torque: 34Nm Tighten in cross pattern
38	Mounting plate lube. ECHF/QSM	1031517	1	
39	Lubrication kit	1021136	1	
40	Screw MC6S M5x30 12.9	610403	2	
41	Screw MC6S M5x35 12.9	610404	1	
42	Washer NL 10mm	611041	2	QTY: 7 for ECHF
43	Screw MC6S M10x40 12.9 ZFSL	612020	2	QTY: 4 for ECHF. Torque: 79Nm
44	Cylindrical pin	1015672	2	
45	Valve plate ECHF	1024824	1	
46	Valve bl. & Swivl for slipping Compl.	1027386	1	
47	Washer GBR06 3/8	710703	5	
48	Adapter 236-06-06	710131	3	
49	Adapter 1260-06-32 (3/8")	710242	1	
50	Adapter 1260-06-43 (3/8")	710262	1	
51	Washer NL 8mm	611040	2	QTY: 5 for ECHF
52	Screw MC6S 8x50H 12.9	610439	3	
53	Screw MC6S M10x50 12.9 ZFSL	611515	3	
54	Kit slip ring ECHF DTM	1030298	1	For QS. See "Slip rings"
55	Cover plate slip ring	1026200	1	
56	Screw MC6S M5x10 12.9	610594	4	
57	O-ring 6,07x1,78	712422	2	
58	O-ring 12,42x1,78	710973	4	
59	O-ring 15,6x1,78	710912	1	
60	Connection block ECHF	1028391	1	Guide with spring pin from swivel
61	Punch serial no into rotator frame			
62	Clamping half Complete	1016393	4	Part of top part
63	Screw MC6S M12x55 12.9 ZFSL	6000155	8	Part of top part. Torque: 136Nm
64	Feather Key	650102	6	Part of quick hitch
65	O-ring 319,3x5,7	710908	1	Part of quick hitch
66	Screws depends on quick hitch		24	See "Quick hitch"
67	Pipe Plug M36x2	650408	6	
68	Shim supporting plate 0,1mm	1023344	1	
69	Shim supporting plate 0,3mm	1023447	1	
70	Supporting plate	1023292	1	
71	Screw MC6S M8x20 12.9 ZFSL	6000157	2	
72	Break play: 0,6mm - 0,8mm			Assy. between frame & quick hitch

POS in order of assembly

EC226S



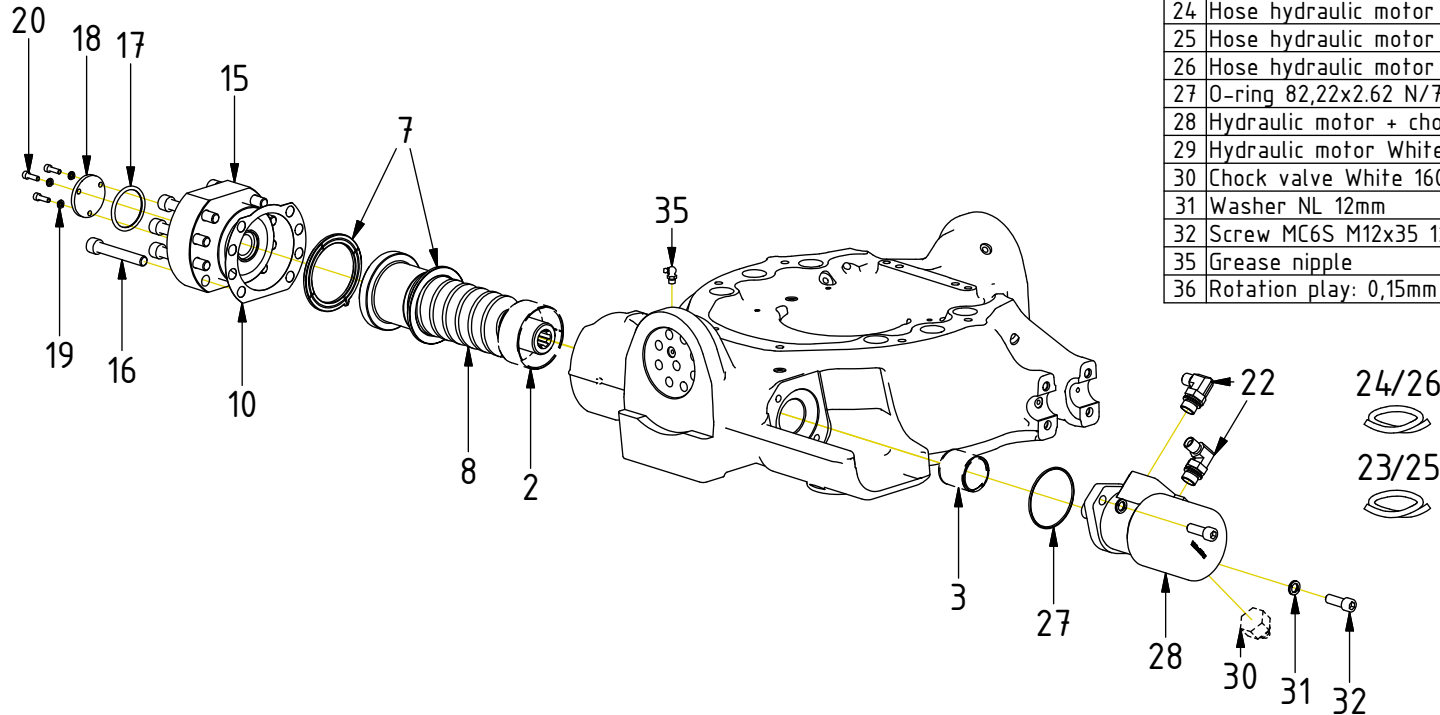
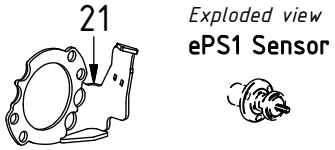
POS	DESCRIPTION	PART	QTY	COMMENTS
2	Bushing 85/90x40	630319	1	
3	Bushing WB802 45/50x50	630102	1	
7	Axial washer (with ear)	1016104	2	Face groove toward worm screw
8	Worm Screw EC226	1016101	1	
9	Magnet Spacer Worm Screw	1062693	1	Loxeal 83-52. Torque: 20Nm
10	Shims kit End Lock 0,3-0,4-0,5mm	1043983	1	
11	End Lock EC226S Cast	1065859	1	(POS.12 incl.)
12	Seal end lock 20x27.5x3.2	1063616	1	
13	Protection plate EC226S	1063521	1	
14	Screw MC6S M14x80 12.9 ZFSLH	6000354	8	Torque: 217Nm
22	Adapter 401-06-08 90° (3/8"-1/2")	710157	2	
23	Hose hydraulic motor B QSM	7000957	1	Part of quick hitch
24	Hose hydraulic motor A QSM	7000958	1	Part of quick hitch
25	Hose hydraulic motor Long ECHF	7001404	1	
26	Hose hydraulic motor Short ECHF	7000026	1	
27	O-ring 82,22x2.62 N/70	7000920	1	
28	Hydraulic motor + chock valve	1022288	1	(POS.29-30 incl.)
29	Hydraulic motor White 200cc	720124	1	
30	Chock valve White 160/200cc	1044091	1	Torque: 77Nm. Assy. before motor
31	Washer NL 12mm	611042	10	QTY: 8 part of top part assembly
32	Screw MC6S M12x35 12.9 ZFSLH	6000150	2	Torque: 136Nm
34	Plug Bsp 1/8"	711503	1	
35	Grease nipple	711409	1	
36	Rotation play: 0,15mm - 0,25mm			Note rotation play on module card

POS in order of assembly

EC226/EC226PS

POS	DESCRIPTION	PART	QTY	COMMENTS
2	Bushing 85/90x40	630319	1	
3	Bushing WB802 45/50x50	630102	1	
7	Axial washer (with ear)	1016104	2	Face groove toward worm screw
8	Worm Screw EC226	1016101	1	
10	Shims kit End Lock 0,3-0,4-0,5mm	1043983	1	
15	End lock EC226 V2	1056095	1	
16	Screw MC6S M14x90 12.9 ZFSHL	6000158	8	Torque: 217Nm
17	O-ring 27x5	7000485	1	
18	Cover end lock	1041613	1	
19	Washer NL 6mm	611039	3	
20	Screw MC6S M6x20 A4-80	611513	3	
21	Protection ePS	1055677	1	For ePS1
22	Adapter 401-06-08 90° (3/8"-1/2")	710157	2	
23	Hose hydraulic motor B QSM	7000957	1	Part of quick hitch
24	Hose hydraulic motor A QSM	7000958	1	Part of quick hitch
25	Hose hydraulic motor Long ECHF	7001404	1	
26	Hose hydraulic motor Short ECHF	7000026	1	
27	O-ring 82,22x2.62 N/70	7000920	1	
28	Hydraulic motor + chock valve	1022288	1	(POS.29-30 incl.)
29	Hydraulic motor White 200cc	720124	1	
30	Chock valve White 160/200cc	1044091	1	Torque: 77Nm. Assy. before motor
31	Washer NL 12mm	611042	10	QTY: 8 part of top part assembly
32	Screw MC6S M12x35 12.9 ZFSHL	6000150	2	Torque: 136Nm
35	Grease nipple	711409	1	
36	Rotation play: 0,15mm - 0,25mm			Note rotation play on module card

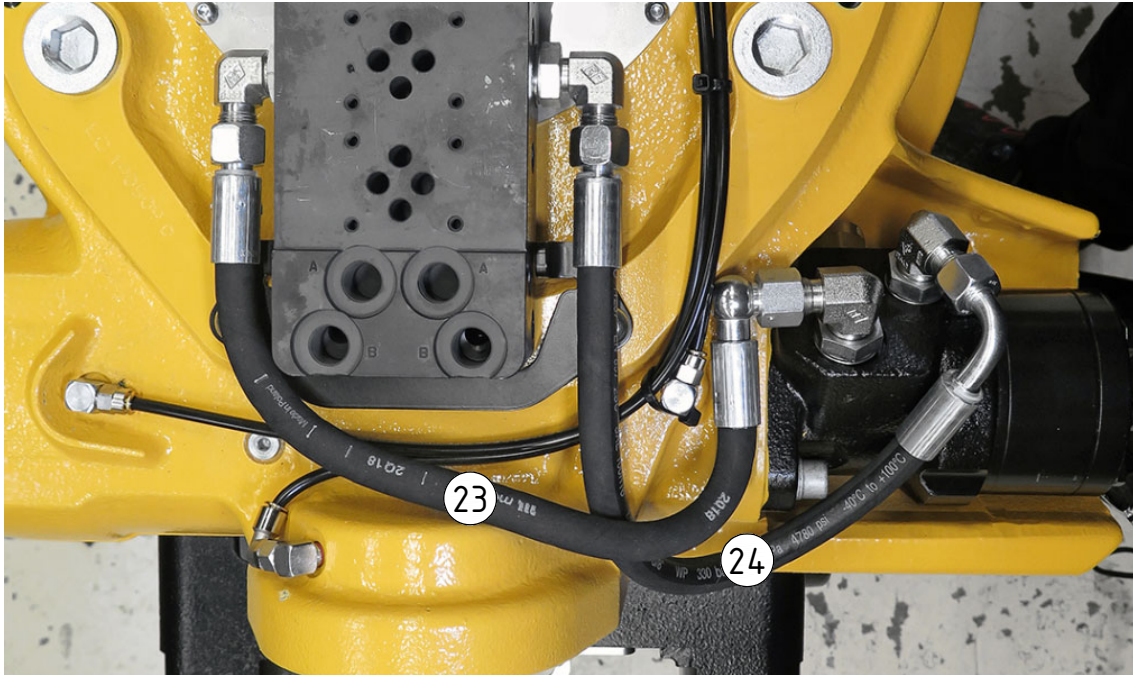
Option ePS:



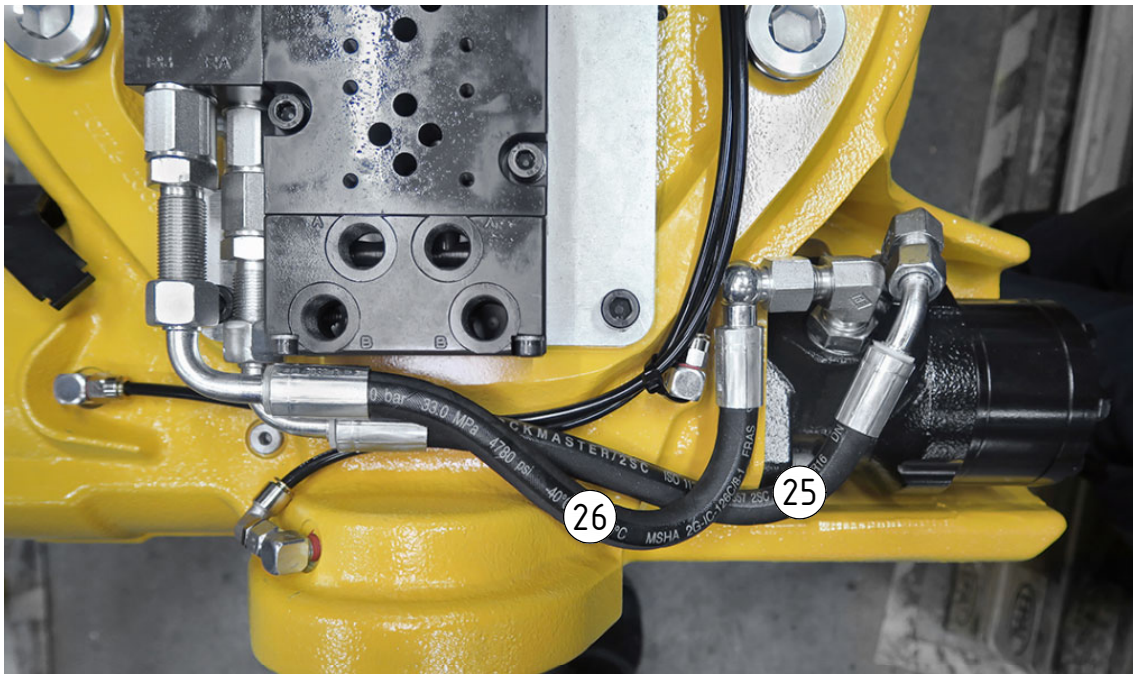
POS in order of assembly

POS	DESCRIPTION	PART	QTY	COMMENTS
21	Protection ePS	1055677	1	For ePS1
23	Hose hydraulic motor B QSM	7000957	1	Part of quick hitch
24	Hose hydraulic motor A QSM	7000958	1	Part of quick hitch
25	Hose hydraulic motor Long ECHF	7001404	1	
26	Hose hydraulic motor Short ECHF	7000026	1	

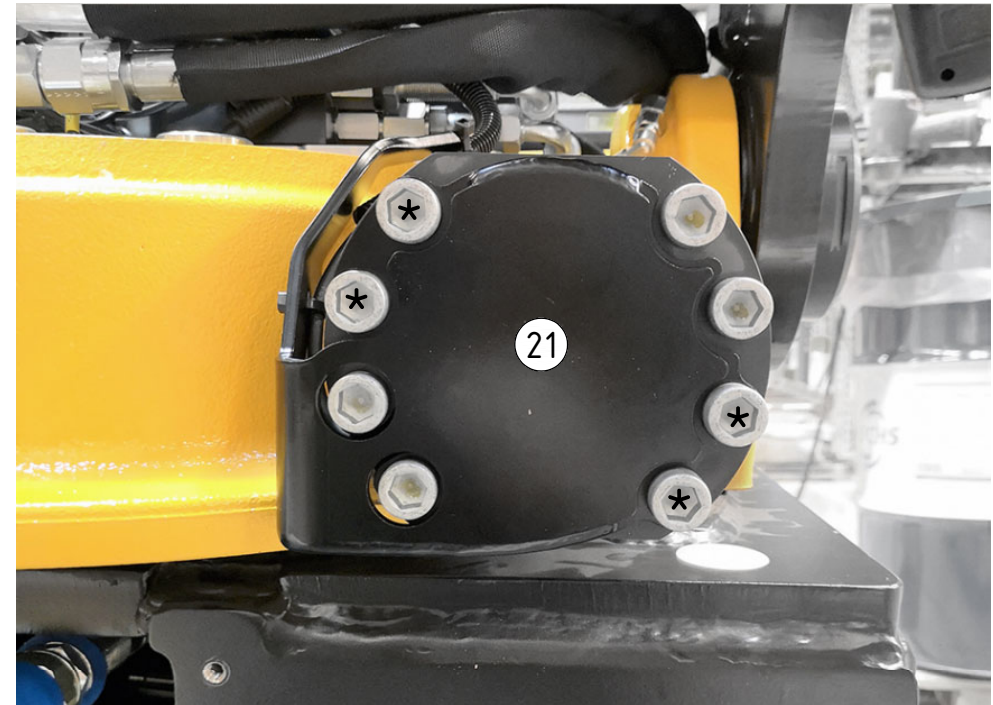
QSM:



ECHF:



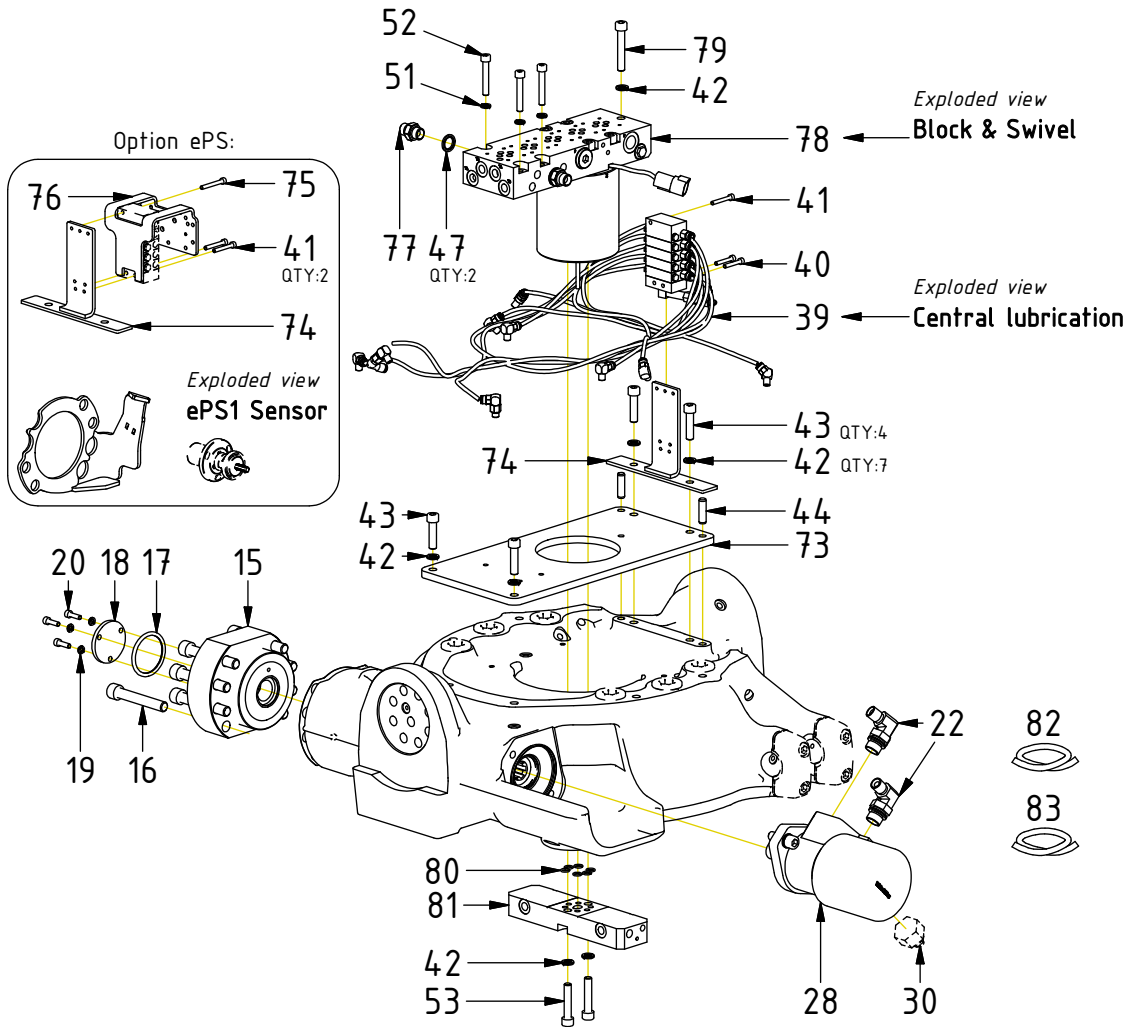
ePS1:



\* No torque until control system assembly

## SPARE PARTS

### EC226 6-ch



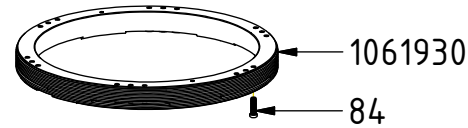
POS	DESCRIPTION	PART	QTY	COMMENTS
15	End lock EC226 V2	1056095	1	
16	Screw MC6S M14x90 12.9 ZFSHL	6000158	8	Torque: 217Nm
17	O-ring 27x5	7000485	1	
18	Cover end lock	1041613	1	
19	Washer NL 6mm	611039	3	
20	Screw MC6S M6x20 A4-80	611513	3	
21	Protection ePS	1055677	1	For ePS1
22	Adapter 401-06-08 90° (3/8"-1/2")	710157	2	
28	Hydraulic motor + chock valve	1022288	1	(POS.29-30 incl.)
29	Hydraulic motor White 200cc	720124	1	
30	Chock valve White 160/200cc	1044091	1	Torque: 77Nm. Assy. before motor
38	Mounting plate lube. ECHF/QSM	1031517	1	
39	Lubrication kit	1021136	1	
40	Screw MC6S M5x30 12.9	610403	2	
41	Screw MC6S M5x35 12.9	610404	1	
42	Washer NL 10mm	611041	2	QTY: 7 for ECHF
43	Screw MC6S M10x40 12.9 ZFSHL	612020	2	QTY: 4 for ECHF. Torque: 79Nm
44	Cylindrical pin	1015672	2	
47	Washer GBR06 3/8	710703	5	
51	Washer NL 8mm	611040	2	QTY: 5 for ECHF
52	Screw MC6S 8x50H 12.9	610439	3	
53	Screw MC6S M10x50 12.9 ZFSHL	611515	3	
73	Valve plate	1011515	1	
74	Mounting plate lubrication 6-ch	1018052	1	
75	Screw MC6S M5x40 12.9	610405	1	
76	Mounting plate angle sensor ePS	1029973	1	
77	Adapter 136-06-06 (3/8")	710106	2	
78	Valve bl. & Swivel w. slipring Compl.	1030297	1	
79	Screw MC6S M10x60 12.9	610460	1	
80	O-ring 9,25x1,78	710901	6	
81	Connection block 6-ch	1024045	1	"1" on swivel against "X" on block
82	Hose hydraulic motor Long 6-ch	742332	1	
83	Hose hydraulic motor Short 6-ch	742331	1	

Parts history on p.8

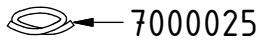
POS in order of assembly

## SPARE PARTS

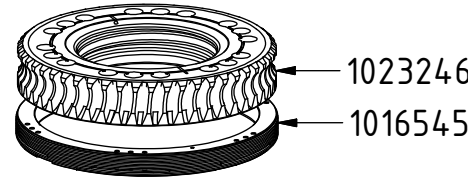
Replaced from 2024-10:



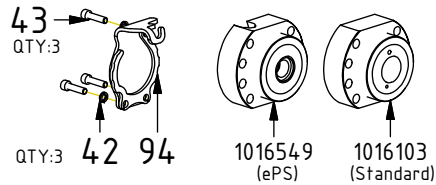
Replaced by POS.25  
from 2020-10:



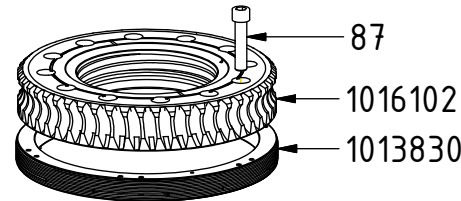
Replaced from 2020-06:



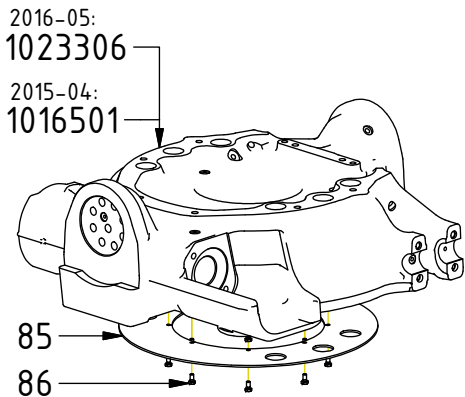
Replaced from 2020-07:



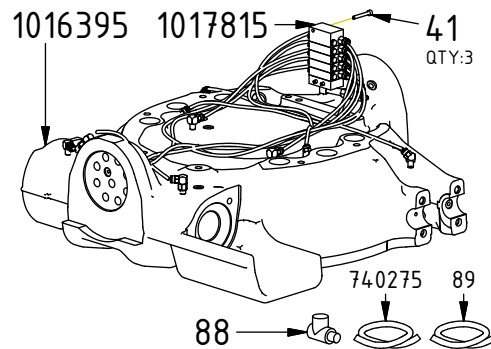
Replaced from 2013-03:



Replaced from



Replaced from 2013-01:



POS	DESCRIPTION	PART	QTY	COMMENTS
1	Rotator frame EC226 V4	1023732	1	(POS.2-3 incl.)
4	Worm wheel EC226 24 holes	1057021	1	
6	Bearing ring EC226 with steering	1077002	1	
15	End lock EC226 V2	1056095	1	
21	Protection ePS	1055677	1	For ePS1
25	Hose hydraulic motor Long ECHF	7001404	1	
33	Screw TX45 8x25 10,9 FZB	1078840	18	Torque: 34Nm Tighten in cross pattern
41	Screw MC6S M5x35 12.9	610404	1	
42	Washer NL 10mm	611041	2	QTY: 7 for ECHF
43	Screw MC6S M10x40 12.9 ZFSHL	612020	2	QTY: 4 for ECHF. Torque: 79Nm
82	Hose hydraulic motor Long 6-ch	742332	1	
83	Hose hydraulic motor Short 6-ch	742331	1	
84	Screw TX45 M8x30 FZB 10,9	612201	18	Torque: 34Nm. Used until 2024-10
85	Wear washer	1011242	1	Used until 2016-05
86	Screw M6S M6x12 8,8 FZB	610108	8	Used until 2016-05
87	Socket Head Screw 20x90 Umbraco	610958	12	Used until 2013-10
88	Adapter DSVW-15 LR	710510	1	Used until 2013-03
89	Hose hydraulic motor v1 Short 6-ch	740274	1	Replaced by POS.83 from 2013-03
90	MACS Magnet 8x5x3	6000047	1	Loctite 415. Harden 1 minute
91	MACS End Lock EC226	1028331	1	
92	MACS Inductive sensor M8 PNP	1043698	1	Distance 3mm. Nut torque: 3Nm
93	MACS Inductive sensor M8-M12	1028045	1	Replaced by POS.92 from 2017-08 Distance 4mm. Nut torque: 3Nm
94	MACS Protection	1016554	1	(Also for ePS until 2020-07)
95	MACS Pipe Plug M36/M8	650411	1	

MACS:

