

COVERSHEET

Planned document changes:

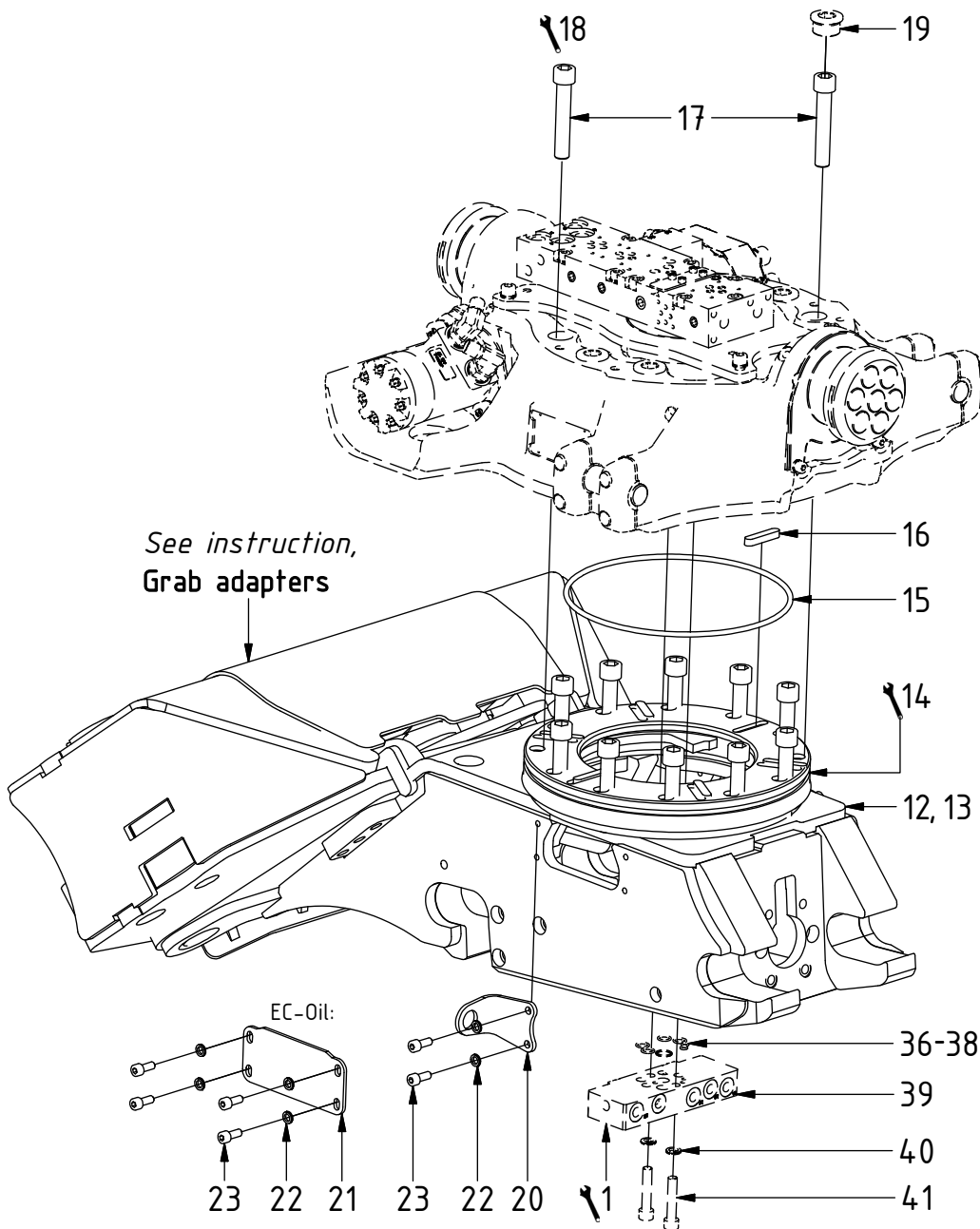
Briefly:

No planned changes.

Document changes:

Date:	Change:	Rev. after change:
2023-11-30	EC-Oil cover added.	E
2018-06-19	Layout/irrelevant.	D
2017-10-16	Clarification on spare parts page.	C
2017-10-03	New photos. Partslist updated. Extra hoses changed.	B
2017-09-25	Grab hoses changed. EC-Oil & coversheet added.	A

EC214 ECHF - QS45/50 GR20RR/GR20R2

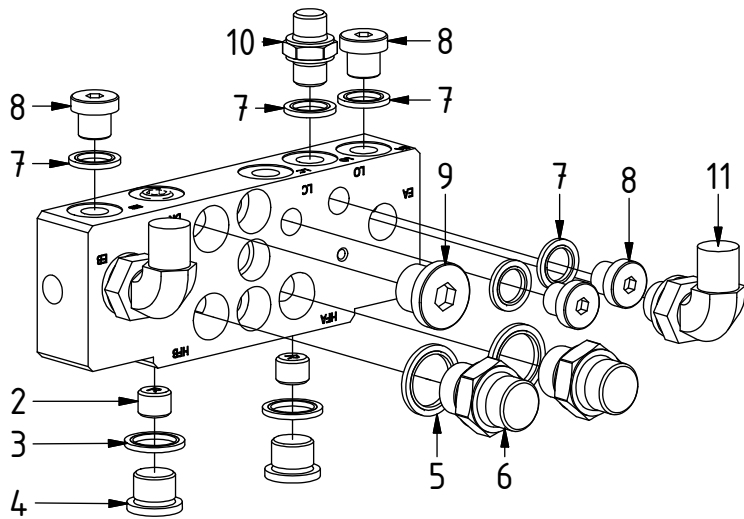


POS	DESCRIPTION	PART	QTY	COMMENTS
1	See p.3 connection block config.			
12	Quick hitch QS45 GR20R2 EC214	1042270	1	
13	Quick hitch QS50 GR20R2 EC214	1040149	1	
14	Grease the ring			
15	O-ring 249,3x5,7	712424	1	
16	Feather Key	650102	6	
17	Screw MC6S 16x90 12.9 ZFSHL	6000151	12	Torque: 333Nm
18	Torque tighten rotator frame to hitch. Rotate to access all holes			
19	Pipe plug M30x1,5	650410	6	Part of rotator frame assembly
20	Holder Extra	1025119	2	
21	Cover plate Side-QS45-QS60	1025118	2	For EC-Oil
22	Washer NL 8mm	611040	4	QTY: 8 for EC-Oil
23	Screw MC6S 8x20H 12.9 ZFSHL	6000157	4	QTY: 8 for EC-Oil
36	O-ring 6,07x1,78	712422	2	Part of rotator frame assembly
37	O-ring 12,42x1,78	710973	4	Part of rotator frame assembly
38	O-ring 15,6x1,78	710912	1	Part of rotator frame assembly
39	Connection block ECHF	1028391	1	Part of rotator frame assembly
40	Washer NL10	611041	2	Part of rotator frame assembly
41	Screw MC6S 10x50 12.9 ZFSHL	611515	2	Part of rotator frame assembly

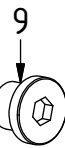
EC214 ECHF - QS45/50 GR20RR/GR20R2

POS in order of assembly

POS	DESCRIPTION	PART	QTY	COMMENTS
2	Pipe plug 1/4"	711508	2	Loctite 5400
3	Washer GBR06 3/8	710703	2	QTY: 4 for EC-Oil
4	Plug Din 908 3/8"	7001657	2	
5	Sealing washer 1/2"	710704	4	
6	Adapter 136-08-08 (1/2")	710108	2	
7	Washer GBR04 1/4	710702	11	
8	Plug 1/4"	711505	4	
9	Plug 1/2"	711500	1	QTY: 3 for EC214 Without Extra
10	Adapter 1/4"	710135	2	
11	Adapter 90° 3/8"	710152	2	

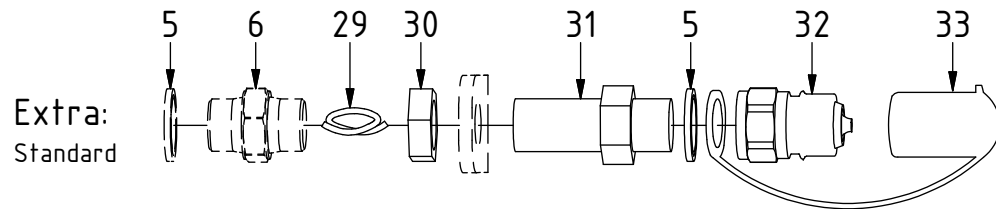
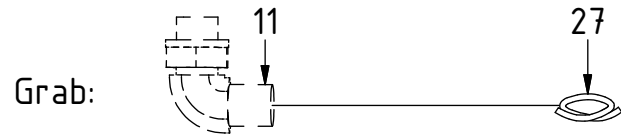
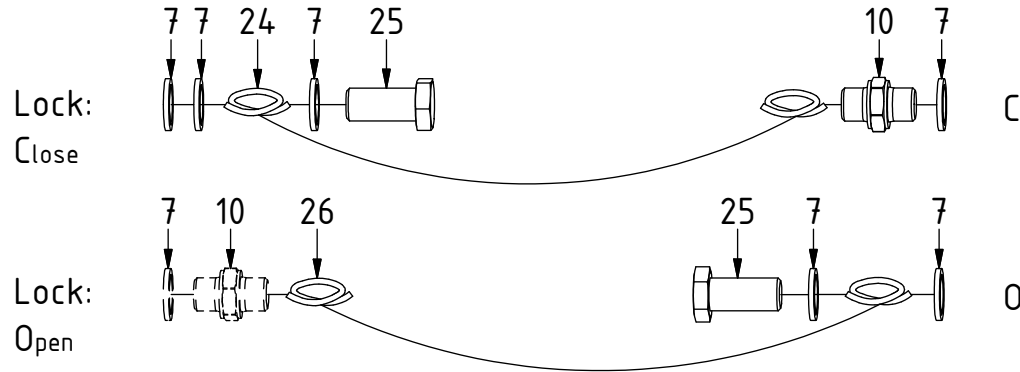


Without Extra:

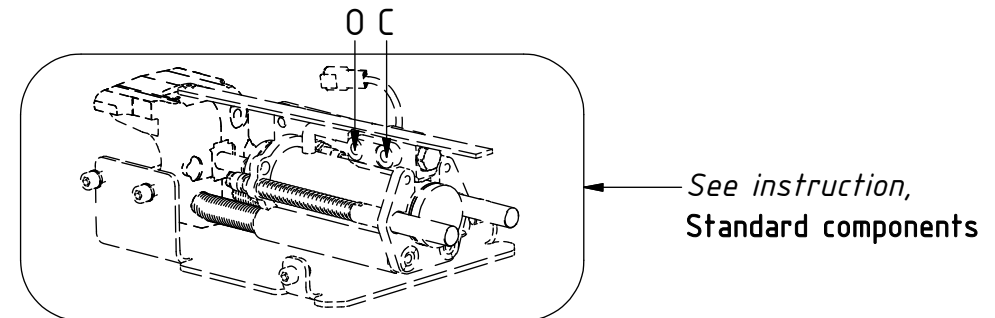
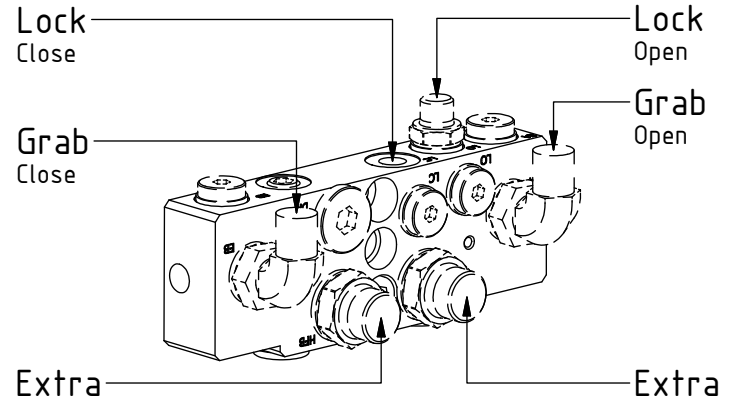


Replaces POS.5-6

EC214 ECHF - QS45/50 GR20RR/GR20R2

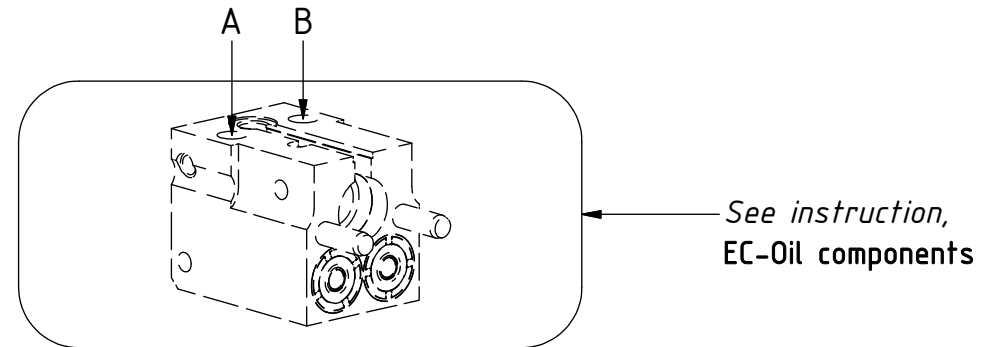
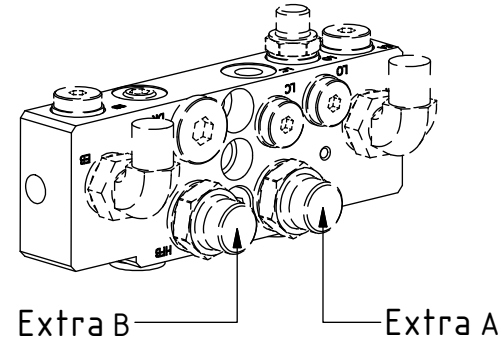
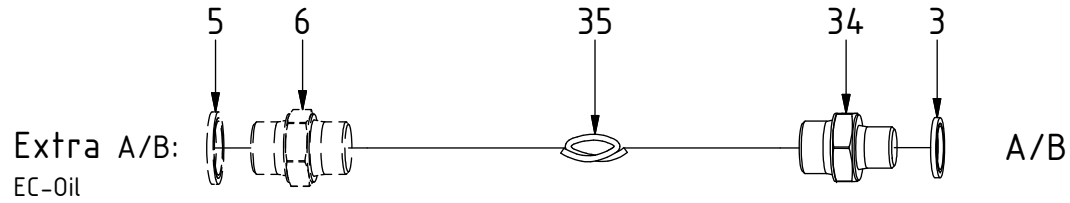


POS	DESCRIPTION	PART	QTY	COMMENTS
5	Sealing washer 1/2"	710704	4	
6	Adapter 136-08-08 (1/2")	710108	2	
7	Washer GBR04 1/4	710702	11	
10	Adapter 1/4"	710135	2	
11	Adapter 90° 3/8"	710152	2	
24	Hose Lock Short	742801	1	
25	Banjobolt 1/4"	710271	2	
26	Hose Lock Long	742802	1	
27	Hose Grab	742681	2	
29	Hose Extra	7000522	2	
30	Bulkhead adapter nut 1/2"	710254	2	
31	Bulkhead adapter 1/2"	710244	2	
32	Quick coupling 1/2"	790115	2	
33	Dust protection	790121	2	



EC-Oil

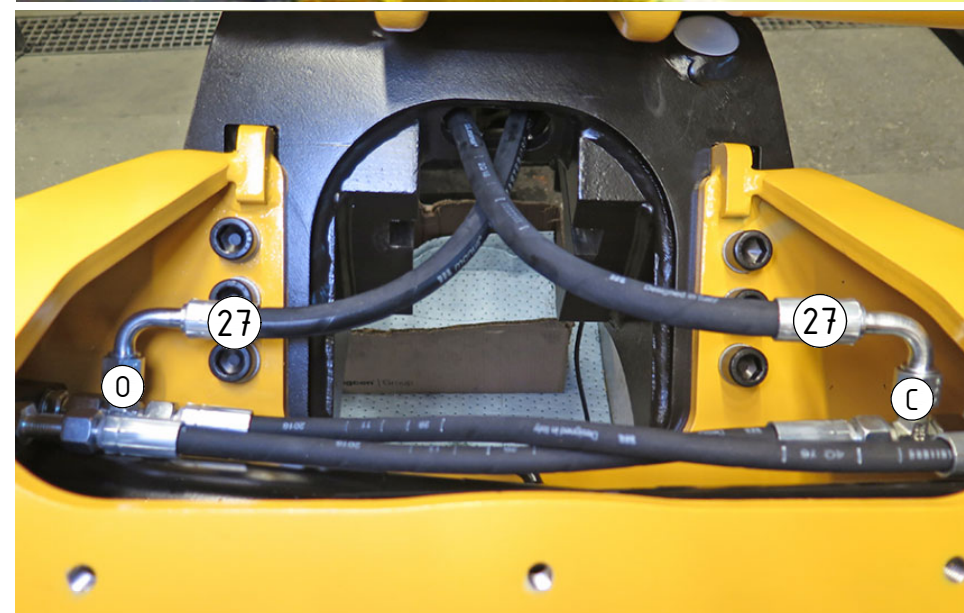
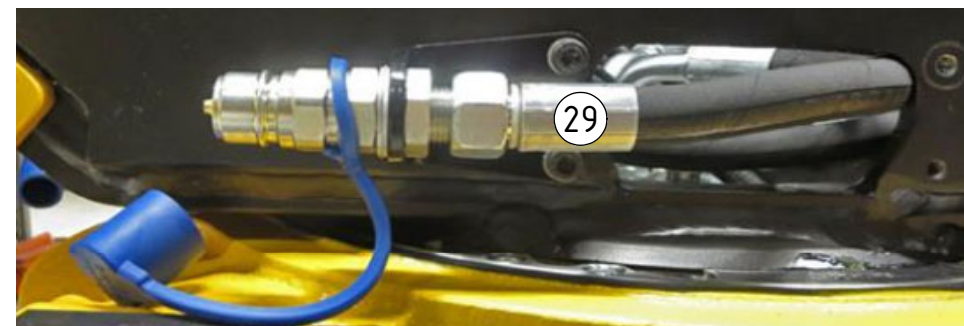
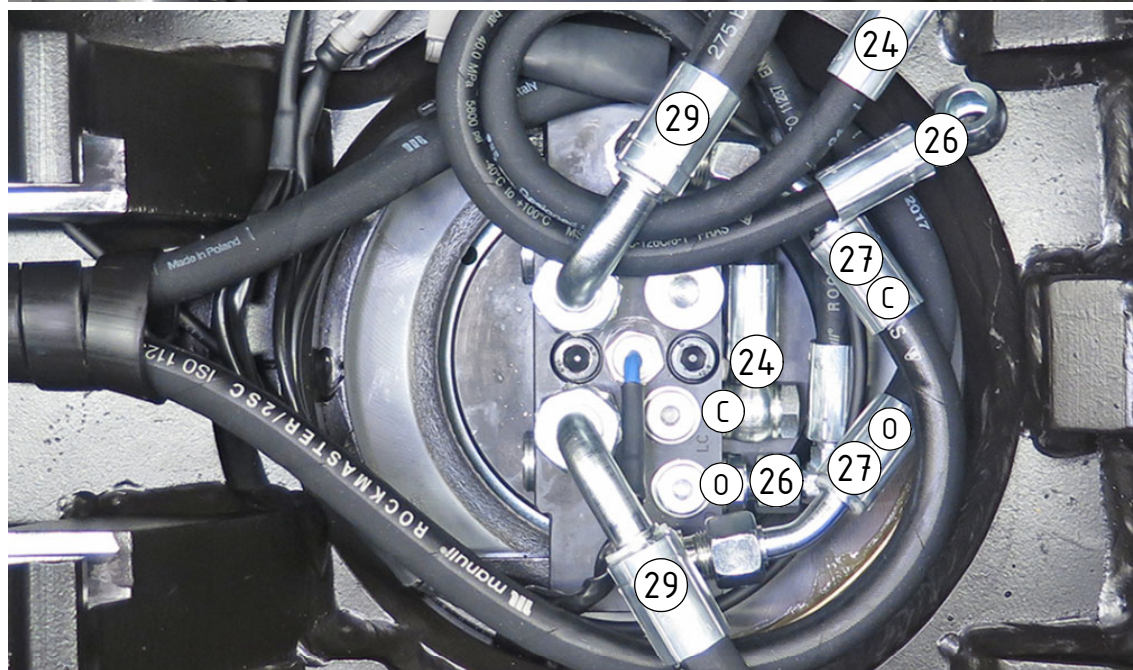
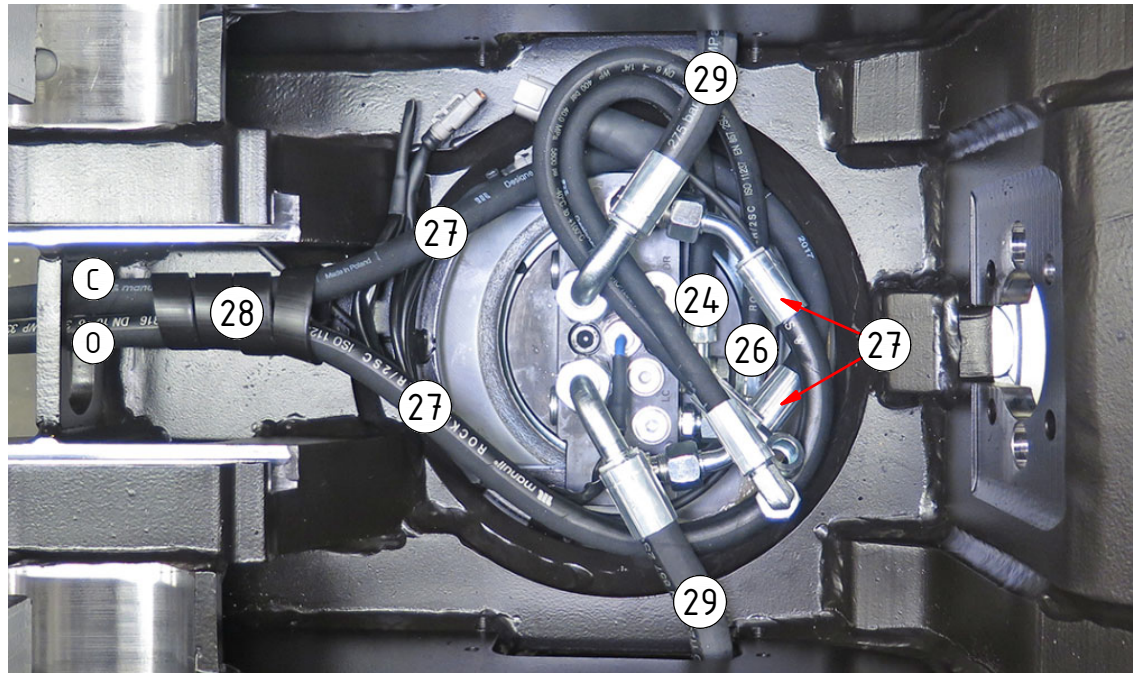
POS	DESCRIPTION	PART	QTY	COMMENTS
3	Washer GBR06 3/8	710703	2	QTY: 4 for EC-Oil
5	Sealing washer 1/2"	710704	4	
6	Adapter 136-08-08 (1/2")	710108	2	
34	Adapter 1/2" - 3/8"	710122	2	
35	Hose Extra (EC-Oil)	7000151	2	



Standard

POS	DESCRIPTION	PART	QTY	COMMENTS
24	Hose Lock Short	742801	1	
26	Hose Lock Long	742802	1	
27	Hose Grab	742681	2	
28	Hose protection	540194	1	Cut to length: approx. 100mm
29	Hose Extra	7000522	2	

POS in order of assembly



Dashed lines for overview, mounts on other pages/assemblies. indicates instruction. represents hose.

EC214 ECHF - QS45/50 GR20RR/GR20R2

EC-Oil

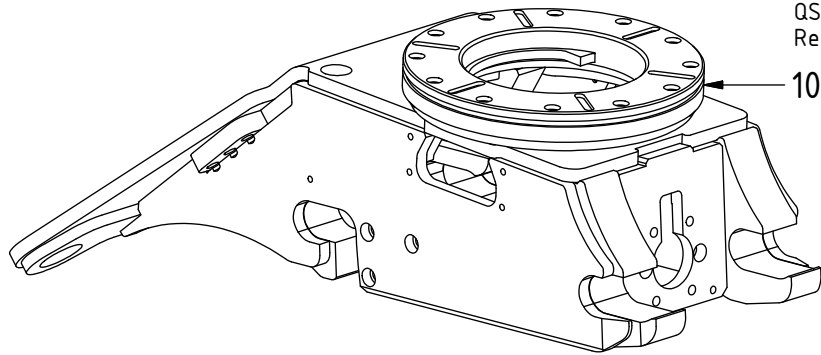
POS	DESCRIPTION	PART	QTY	COMMENTS
24	Hose Lock Short	742801	1	
26	Hose Lock Long	742802	1	
27	Hose Grab	742681	2	
28	Hose protection	540194	1	Cut to length: approx. 100mm
35	Hose Extra (EC-Oil)	7000151	2	

POS in order of assembly

Photo needed:
EC-Oil

(alert documentation
when built in production)

Related spare parts



QS45 GR20RR:
Replaced by POS.12 from 2017-04

1027668

POS	DESCRIPTION	PART	QTY	COMMENTS
3	Washer GBR06 3/8	710703	2	QTY: 4 for EC-Oil
12	Quick hitch QS45 GR20R2 EC214	1042270	1	
42	Hose Grab (internal)	7000319	2	
43	Bulkhead adapter nut Bsp 3/8"	710252	2	
44	Bulkhead adapter Bsp 3/8"	710242	2	
45	Quick coupling 3/8"	790113	2	
46	Dust protection	790120	2	Use when grabadapter is detached
47	Quick coupler 3/8" 3810	790112	2	
48	Adapter 3/8"	710106	2	
49	Hose Grab (External)	7000320	2	

POS in order of assembly

Used until 2017-04 (GR20RR)

