

## COVERSHEET

### Planned document changes:

**Briefly:**

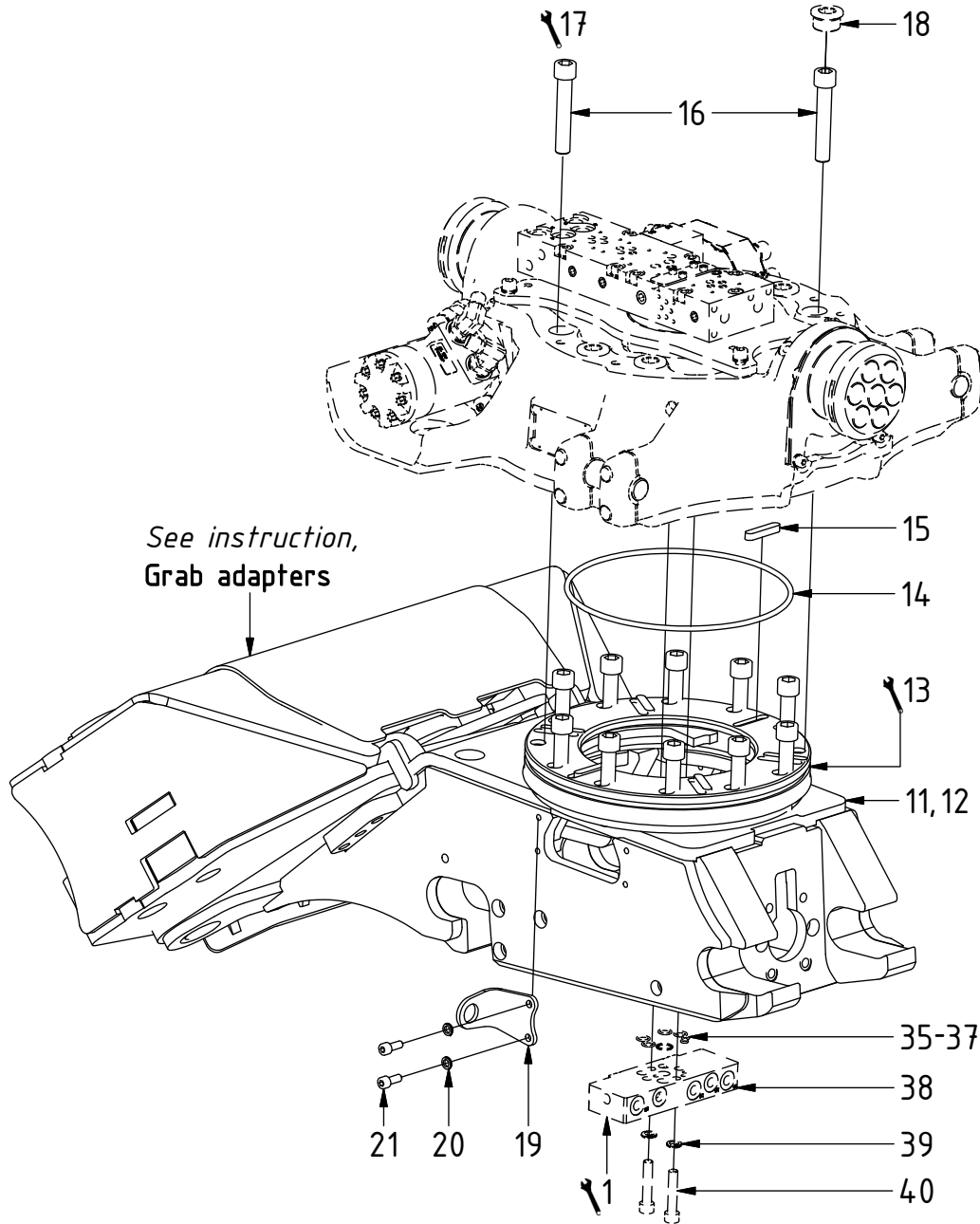
---

Plug POS.3 replaced by plug 7001657 used with 3/8" Tredo.

### Document changes:

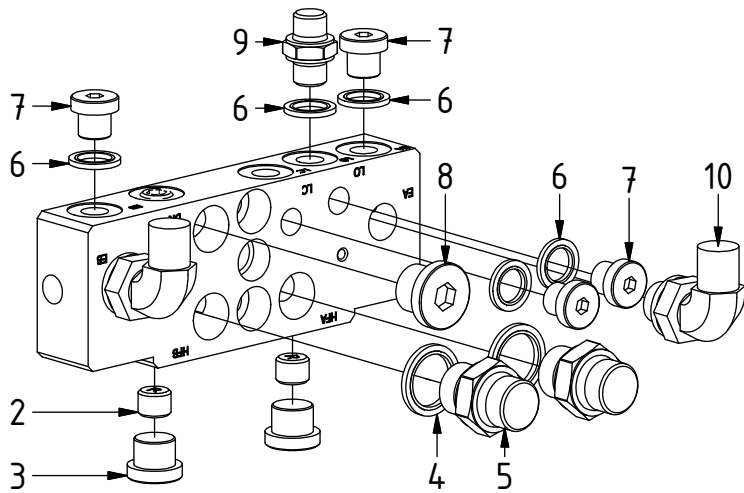
<u>Date:</u>	<u>Change:</u>	<u>Rev. after change:</u>
2018-06-19	Layout/irrelevant.	D
2017-10-16	Clarification on spare parts page.	C
2017-10-03	New photos. Partslist updated. Extra hoses changed.	B
2017-09-25	Grab hoses changed. EC-Oil & coversheet added.	A

# EC214 - QS45/QS50 GR20RR/GR20R2

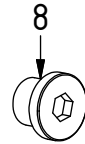


POS	DESCRIPTION	PART	QTY	COMMENTS
1	See p.3 connection block config.			
11	Quick hitch QS45 GR20R2 EC214	1042270	1	
12	Quick hitch QS50 GR20R2 EC214	1040149	1	
13	Grease the ring			
14	O-ring 249,3x5,7	712424	1	
15	Feather Key	650102	6	
16	Screw MC6S 16x90	610530	12	Torque: 333Nm
17	Torque tighten quick hitch to rotator frame, six holes. Rotate to access the remaining holes			
18	Pipe plug M30x1,5	650410	6	Part of rotator frame assembly
19	Holder Extra	1025119	2	
20	Washer NL 8mm	611040	4	
21	Screw MC6S 8x20	610433	4	
35	O-ring 6,07x1,78	712422	2	Part of rotator frame assembly
36	O-ring 12,42x1,78	710973	4	Part of rotator frame assembly
37	O-ring 15,6x1,78	710912	1	Part of rotator frame assembly
38	Connection block ECHF	1028391	1	Part of rotator frame assembly
39	Washer NL10	611041	2	Part of rotator frame assembly
40	Screw MC6S 10x50	610457	2	Part of rotator frame assembly

POS	DESCRIPTION	PART	QTY	COMMENTS
2	Pipe plug 1/4"	711508	2	Loctite 5400
3	Plug 3/8"	711504	2	
4	Sealing washer 1/2"	710704	4	
5	Adapter 1/2"	710108	2	
6	Washer GBR04 1/4	710702	11	
7	Plug 1/4"	711505	4	
8	Plug 1/2"	711500	1	QTY: 3 for EC214 Without Extra
9	Adapter 1/4"	710135	2	
10	Adapter 90° 3/8"	710152	2	



Without  
Extra:

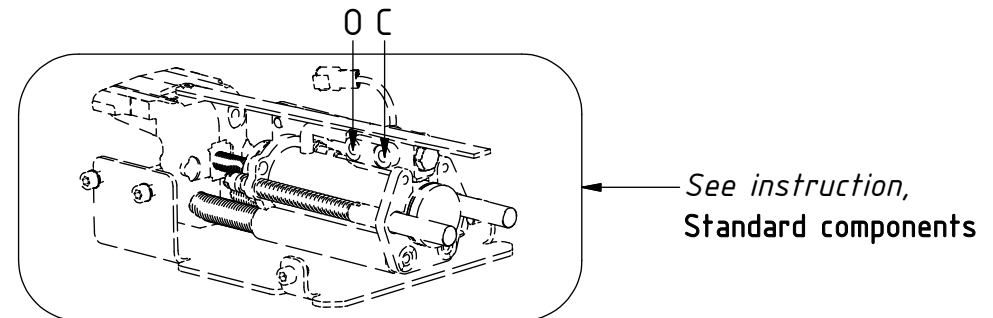
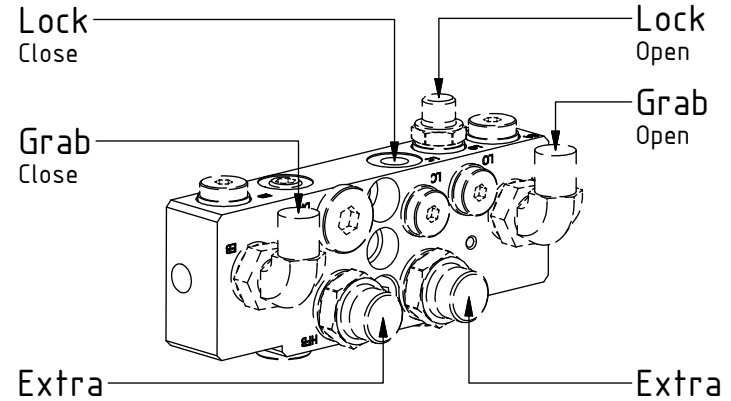
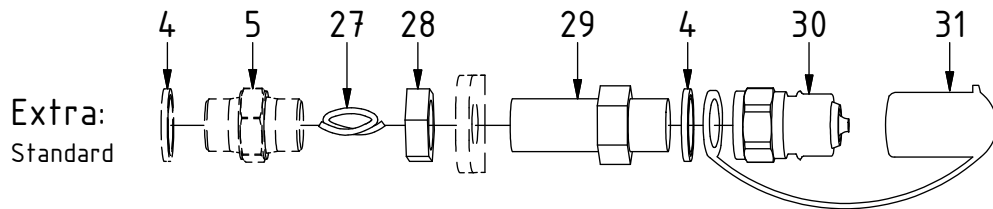
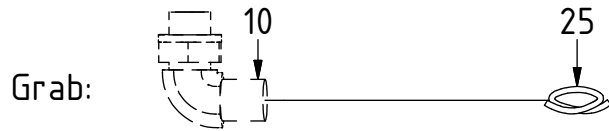
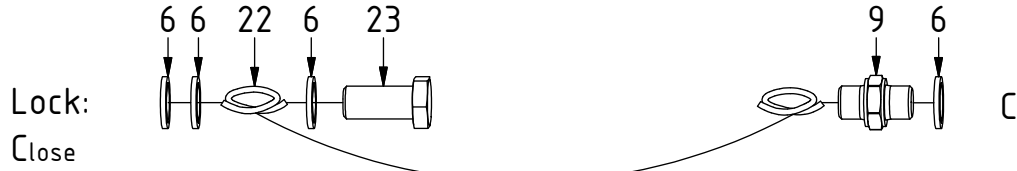


Replaces  
POS.4-5

# EC214 - QS45/QS50 GR20RR/GR20R2

POS in order of assembly

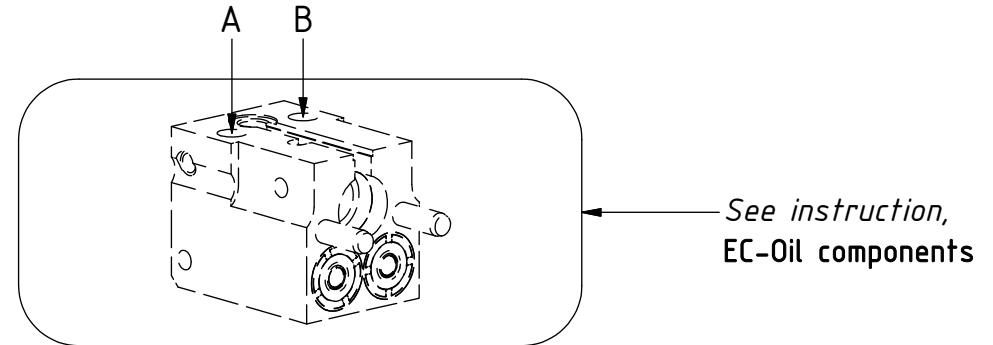
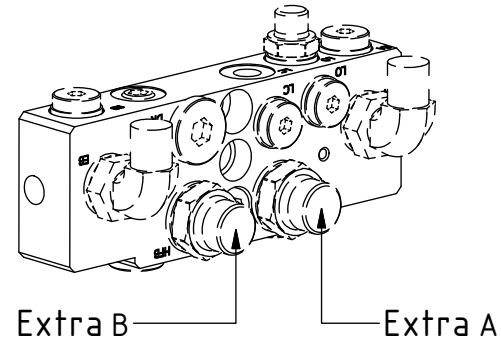
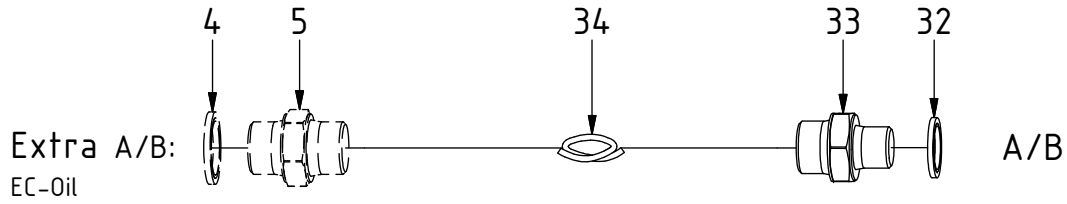
POS	DESCRIPTION	PART	QTY	COMMENTS
4	Sealing washer 1/2"	710704	4	
5	Adapter 1/2"	710108	2	
6	Washer GBR04 1/4	710702	11	
9	Adapter 1/4"	710135	2	
10	Adapter 90° 3/8"	710152	2	
22	Hose Lock Short	742801	1	
23	Banjobolt 1/4"	710271	2	
24	Hose Lock Long	742802	1	
25	Hose Grab	742681	2	
27	Hose Extra	7000522	2	
28	Bulkhead adapter nut 1/2"	710254	2	
29	Bulkhead adapter 1/2"	710244	2	
30	Quick coupling 1/2"	790115	2	
31	Dust protection	790121	2	



# EC214 - QS45/QS50 GR20RR/GR20R2

EC-Oil

POS	DESCRIPTION	PART	QTY	COMMENTS
4	Sealing washer 1/2"	710704	4	
5	Adapter 1/2"	710108	2	
32	Washer GBR06 3/8	710703	2	
33	Adapter 1/2" - 3/8"	710122	2	
34	Hose Extra (EC-Oil)	7000151	2	

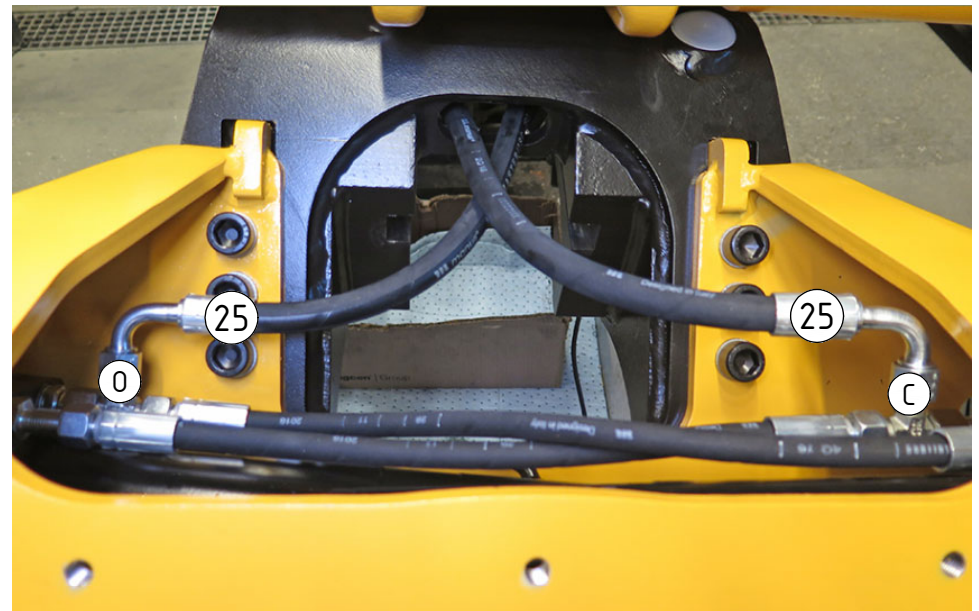
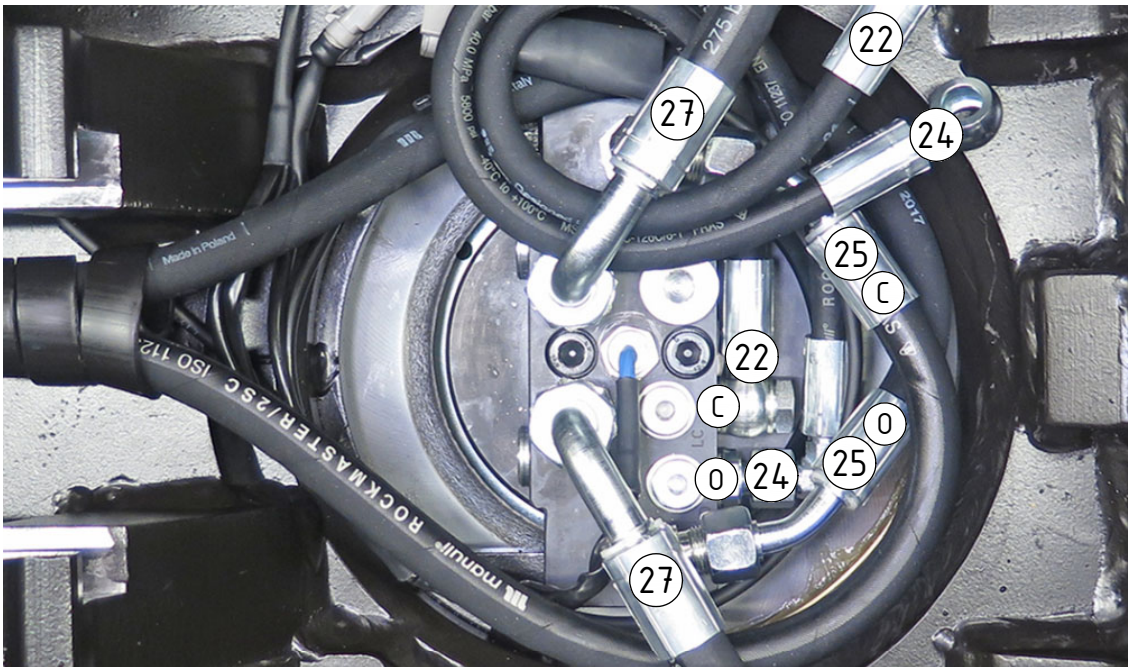
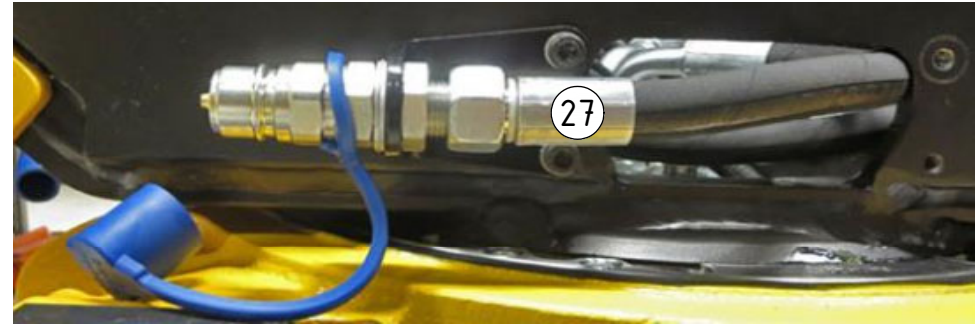
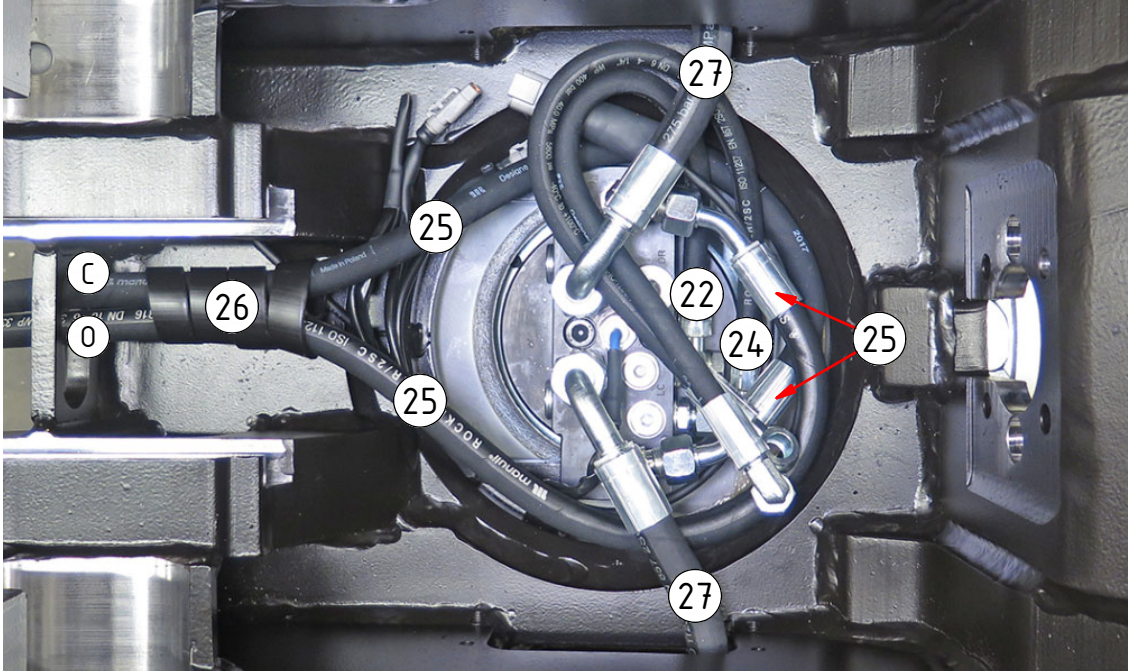


# EC214 - QS45/QS50 GR20RR/GR20R2

Standard

POS	DESCRIPTION	PART	QTY	COMMENTS
22	Hose Lock Short	742801	1	
24	Hose Lock Long	742802	1	
25	Hose Grab	742681	2	
26	Hose protection	540194	1	Cut to length: approx. 100mm
27	Hose Extra	7000522	2	

POS in order of assembly



Dashed lines for overview, mounts on other pages/assemblies. indicates instruction. represents hose.



# EC214 - QS45/QS50 GR20RR/GR20R2

EC-Oil

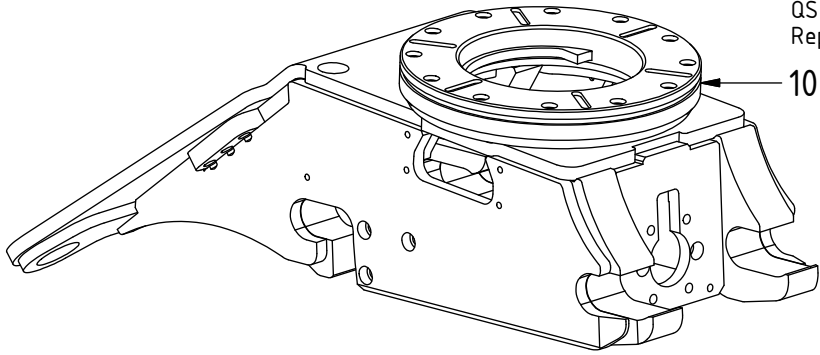
POS	DESCRIPTION	PART	QTY	COMMENTS
22	Hose Lock Short	742801	1	
24	Hose Lock Long	742802	1	
25	Hose Grab	742681	2	
26	Hose protection	540194	1	Cut to length: approx. 100mm
34	Hose Extra (EC-Oil)	7000151	2	

POS in order of assembly

Photo needed:  
EC-Oil

(alert documentation  
when built in production)

## Related spare parts

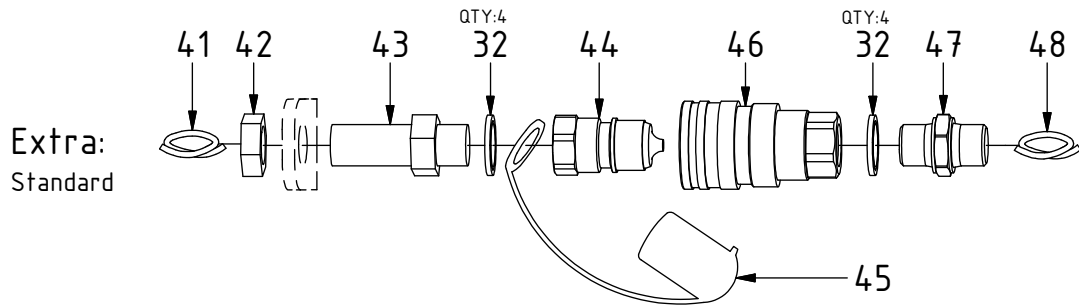


QS45 GR20RR:  
Replaced by POS.11 from 2017-04  
**1027668**

POS	DESCRIPTION	PART	QTY	COMMENTS
11	Quick hitch QS45 GR20R2 EC214	1042270	1	
32	Washer GBR06 3/8	710703	2	
41	Hose Grab (internal)	7000319	2	
42	Bulkhead adapter nut Bsp 3/8"	710252	2	
43	Bulkhead adapter Bsp 3/8"	710242	2	
44	Quick coupling 3/8"	790113	2	
45	Dust protection	790120	2	Use when grabadapter is detached
46	Quick coupler 3/8" 3810	790112	2	
47	Adapter 3/8"	710106	2	
48	Hose Grab (External)	7000320	2	

POS in order of assembly

Used until 2017-04 (GR20RR)



Extra:  
Standard

