

# EC214 - Central lubrication COVERSHEET

## Planned document changes:

### Briefly:

No planned changes.

## Document changes:

| Date:      | Change:                                 | Rev.<br>after change: |
|------------|---|-----------------------|
| 2024-11-14 | Grease nipple from rotator frame added. | C                     |
| 2024-01-12 | Hose kit discontinued.                  | B                     |
| 2022-03-21 | Details for dosing block updated.       | A                     |
| 2019-01-18 | New document.                           | -                     |

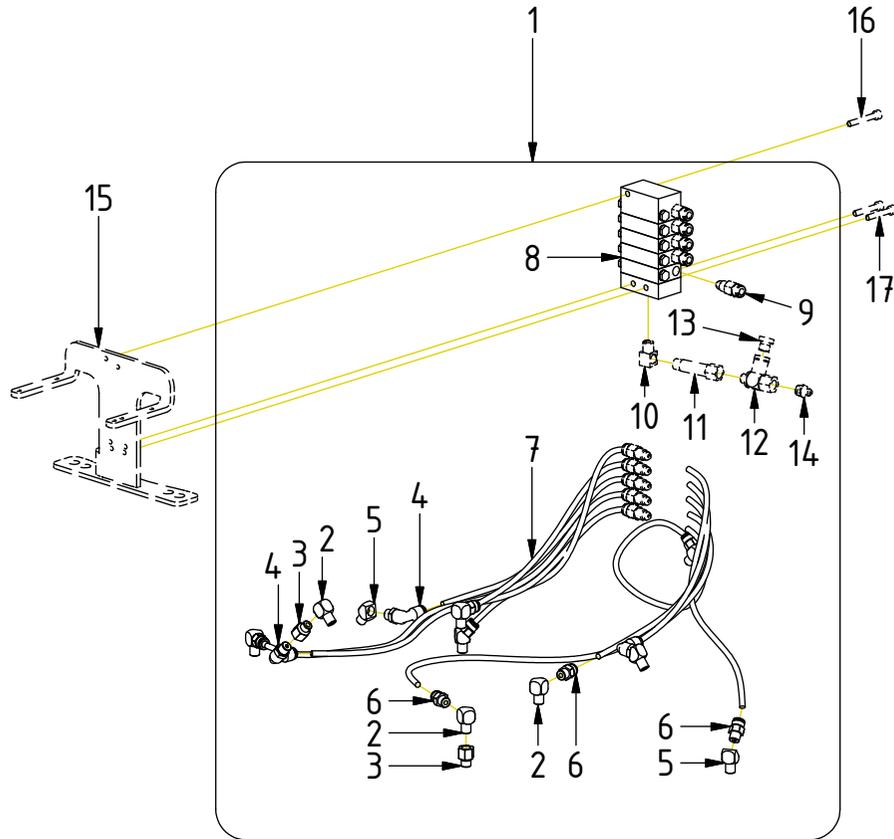
### Readers note:

 Indicates instruction.

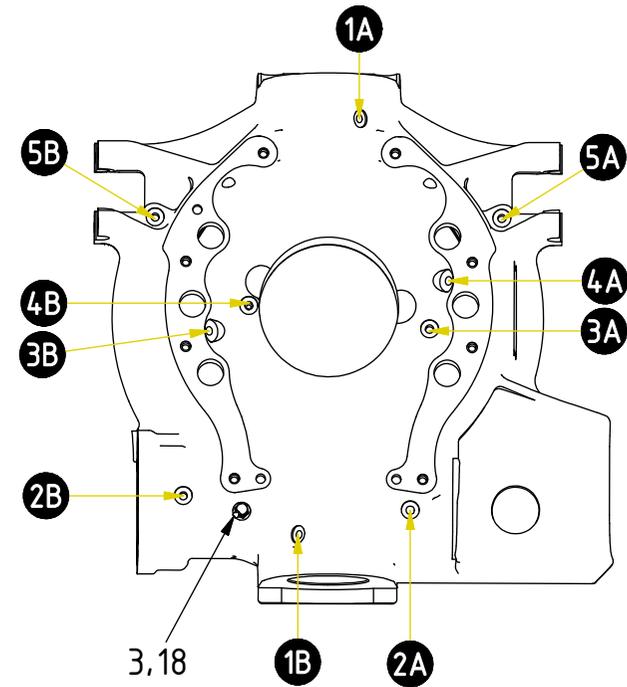
 Represents Hose.

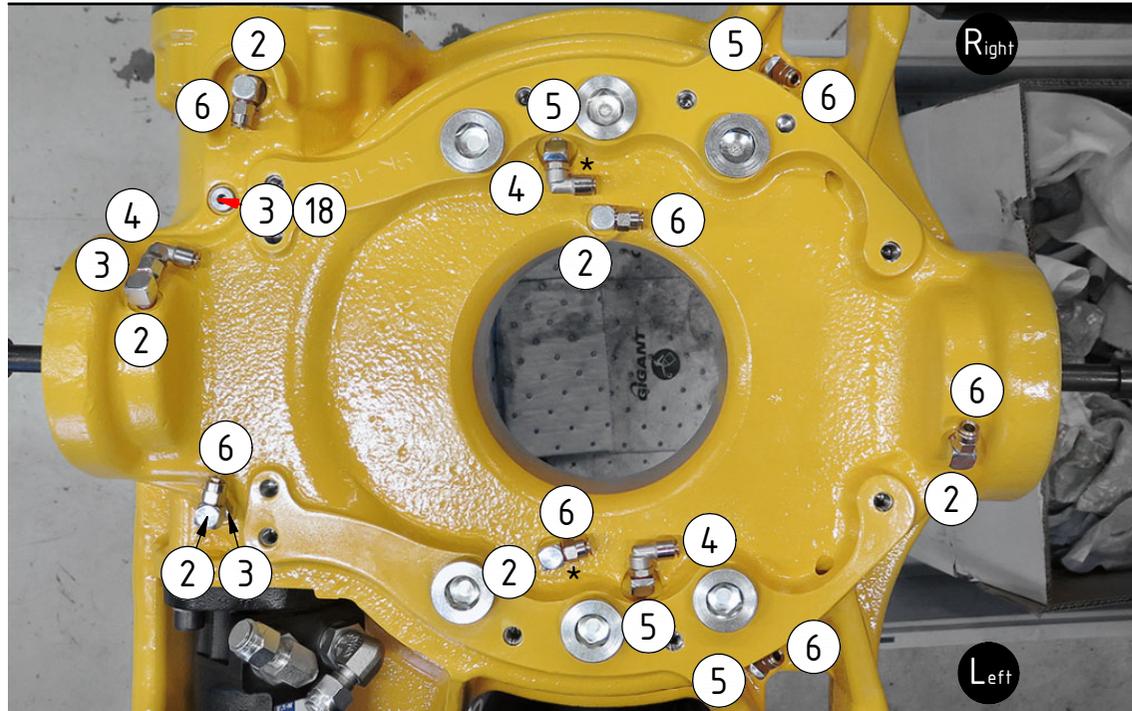
Dashed lines for overview, mounts  
on other pages/assemblies.

POS in order of assembly



| POS | DESCRIPTION                    | PART    | QTY | COMMENTS                     |
|-----|--------------------------------|---------|-----|------------------------------|
| 1   | Lubrication kit EC214 Complete | 1026699 | 1   | (POS.2-8 incl.)              |
| 2   | Adapter 90° R1/8"              | 710199  | 6   |                              |
| 3   | Extender straight 1/8"         | 712216  | 3   | QTY: 1 part of rotator frame |
| 4   | Adapter 90° Push-in - swivel   | 790184  | 3   |                              |
| 5   | Adapter 45° R1/8"              | 712215  | 4   |                              |
| 6   | Push-in R1/8"                  | 790172  | 7   |                              |
| 7   | Hose central lubrication bulk  | 7000784 | 1   |                              |
| 8   | Dosing block MX-F              | 1028281 | 1   | (POS.9-12, 14 incl.)         |
| 9   | Push-in Coupling 6mm           | 790188  | 10  |                              |
| 10  | Adapter 90° M10x1              | 790190  | 1   |                              |
| 11  | Extender M10x1 50mm            | 7001869 | 1   |                              |
| 12  | T-Swivel union M10x1 with plug | 7001870 | 1   | (POS.13 incl.)               |
| 13  | Plug 70125-02 (1/8")           | 711503  | 1   |                              |
| 14  | Grease nipple H1 M10x1         | 790166  | 1   |                              |
| 15  | Mounting plate lube QSM, ECHF  | 1031517 | 1   | Part of rotator frame        |
| 16  | Screw MC6S M5x35 12.9          | 610404  | 1   | Part of rotator frame        |
| 17  | Screw MC6S M5x30 12.9          | 610403  | 2   | Part of rotator frame        |
| 18  | Grease nipple                  | 711409  | 1   | Part of rotator frame        |





| POS | DESCRIPTION                   | PART    | QTY | COMMENTS                     |
|-----|-------------------------------|---------|-----|------------------------------|
| 2   | Adapter 90° R1/8"             | 710199  | 6   |                              |
| 3   | Extender straight 1/8"        | 712216  | 3   | QTY: 1 part of rotator frame |
| 4   | Adapter 90° Push-in - swivel  | 790184  | 3   |                              |
| 5   | Adapter 45° R1/8"             | 712215  | 4   |                              |
| 6   | Push-in R1/8"                 | 790172  | 7   |                              |
| 7   | Hose central lubrication bulk | 7000784 | 1   |                              |
| 18  | Grease nipple                 | 711409  | 1   | Part of rotator frame        |
| ●   | Use cable ties                |         |     |                              |

POS in order of assembly

\* Assemble 3A and 3B as close/tight as possible to frame

