

## COVERSHEET

### Planned document changes:

**Briefly:**

---

No planned changes.

### Document changes:

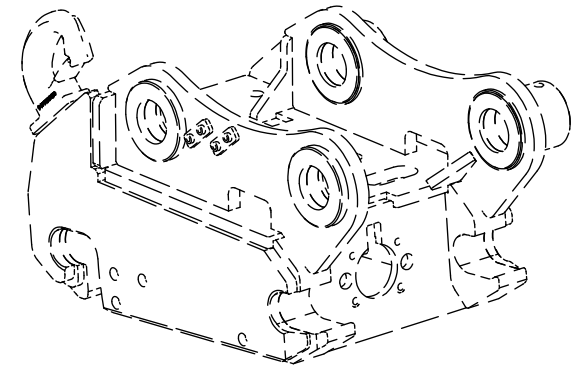
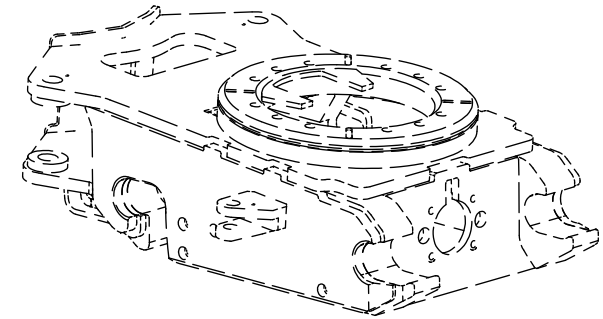
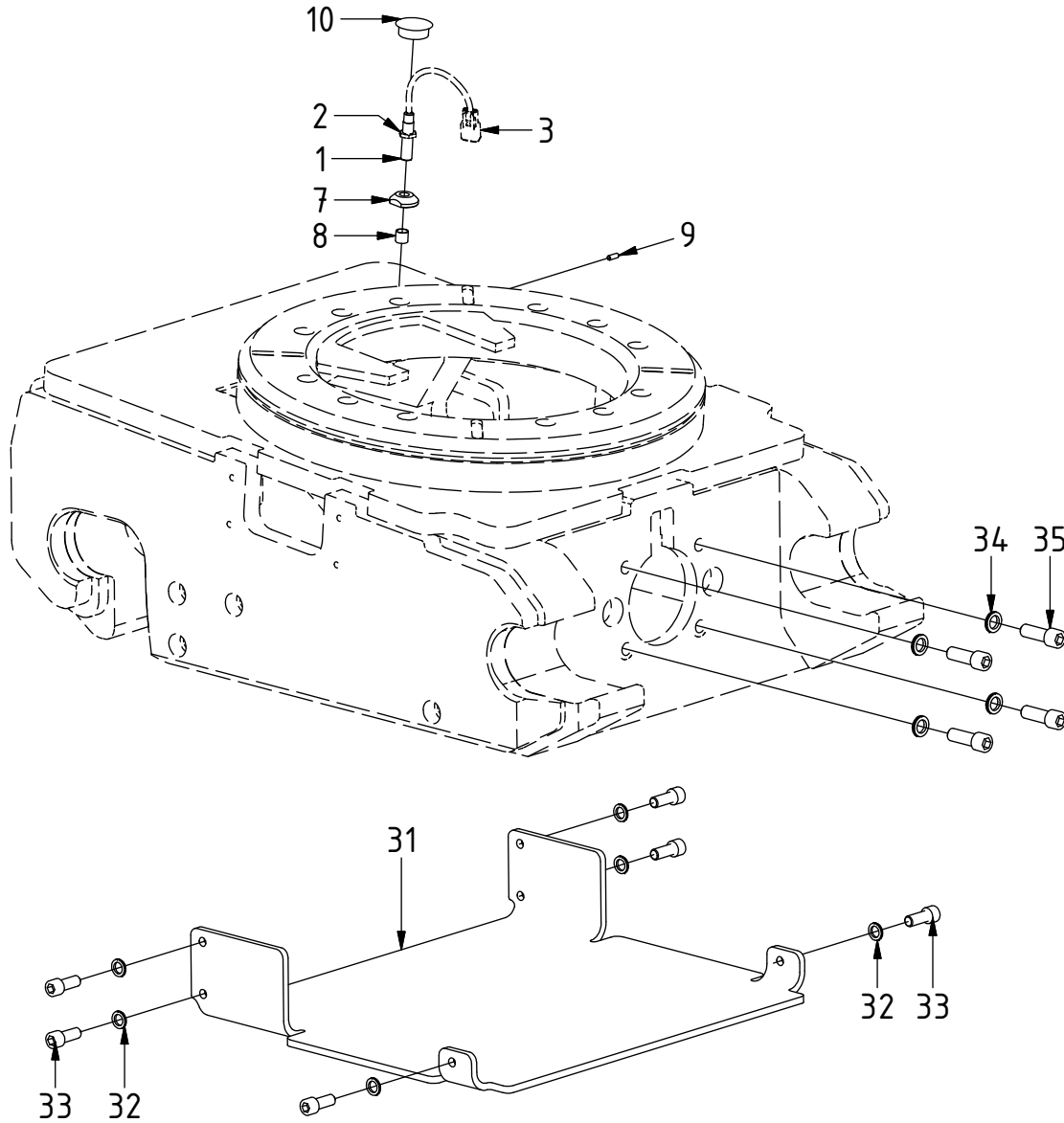
<b>Date:</b>	<b>Change:</b>	<b>Rev. after change:</b>
2019-01-16	Spare parts updated.	D
2018-11-30	Lock cylinder replaced. Spare parts pages added.	C
2018-02-05	Screw for indicator pin updated. Coversheet added.	B

# QS80 - Std components

EC233, EC30, QS80

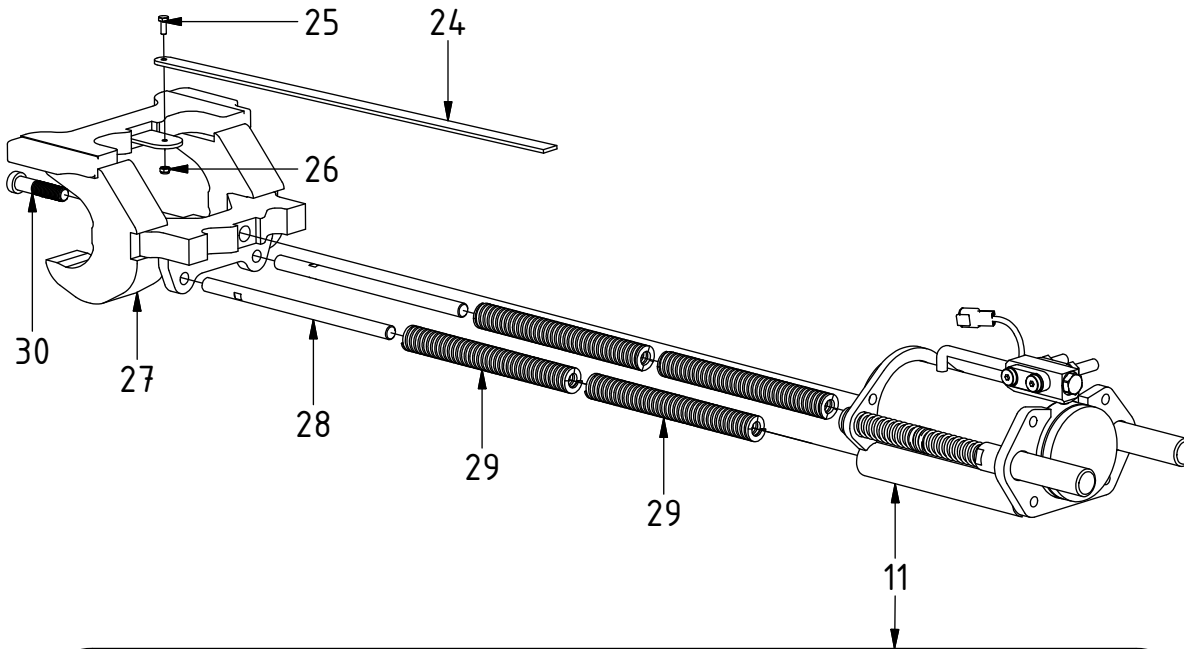
POS	DESCRIPTION	PART	QTY	COMMENTS
1	Inductive sensor QSC (hook)	1040358	2	Mount just below surface edge (POS.2-3 included)
2	Hex nut			(Included with sensor)
3	Connector Deutsch DTM04-3P	8000064	2	
7	Position nut, inductive sensor	1029432	1	
8	Protection lid, inductive sensor	8000056	1	
9	Set Screw M8x16	610808	1	
10	Cover plug QS/ECO	8000068	1	
31	Protection lid QS80	1039790	1	No cover plate for EC-Oil
32	Washer NL12	611042	6	
33	Socket Head Screw 12x30	610474	6	
34	Washer NL14mm DP	611043	4	
35	Screw MC6S 14x40	610590	4	

POS in order of assembly



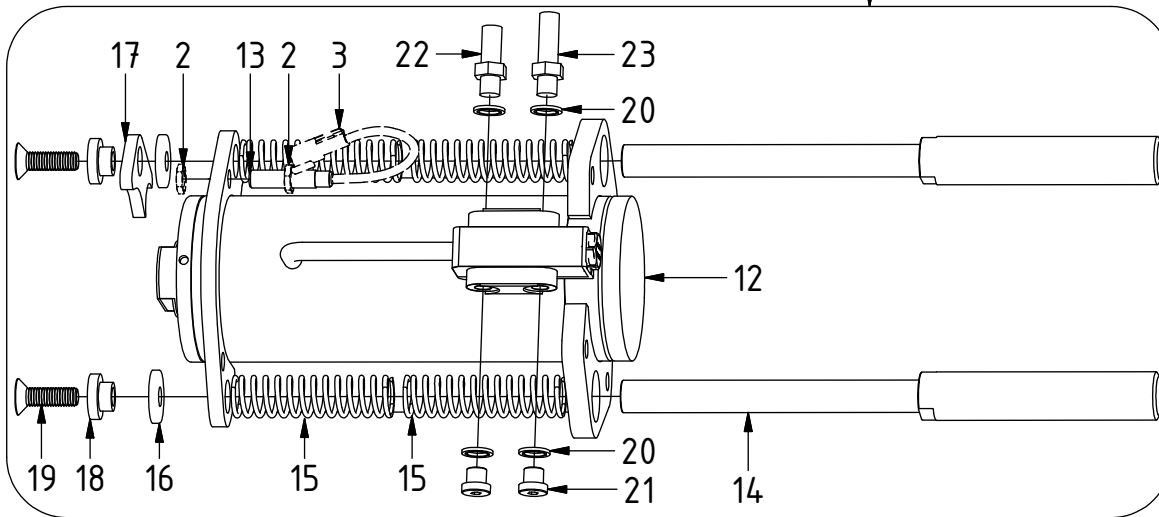
# QS80 - Std components

EC233, EC30, QS80

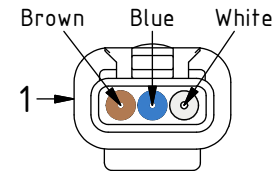


POS	DESCRIPTION	PART	QTY	COMMENTS
1	Inductive sensor QSC (hook)	1040358	2	Mount just below surface edge (POS.2-3 included)
2	Hex nut			(Included with sensor)
3	Connector Deutsch DTM04-3P	8000064	2	
11	Lock cylinder QS80 V2 Compl. QSC	1049727	1	(POS.12-23 included)
12	Lock cylinder QS80 V2	1048783	1	See "Lock cylinders"
13	Inductive sensor QSC (cylinder)	1040359	1	Mount 1mm from Sensor plate (POS.2-3 included)
14	Ejector	1034935	2	
15	Spring 21,8x105	1035023	4	
16	Washer 13x35x5	612016	2	
17	Sensor plate	1035535	1	
18	Spacer M12 L15	1008243	2	
19	Screw MF6S 12x40	610670	2	
20	Sealing washer 1/4"	710702	4	
21	Plug 1/4"	711505	2	
22	Bulkhead adapter 1/4"	710240	1	
23	Bulkhead adapter extended 1/4"	710261	1	
24	Indicator pin QS, 610mm	1036201	1	
25	Hex Head Screw 6x16	610109	1	
26	Hex. Nut M6 Nylon Lock	610921	1	
27	Locking hook QS80	1034775	1	
28	Steering	1024695	2	
29	Spring 32x254	1035022	4	
30	Socket head screw MLC6S 16x70	610720	1	

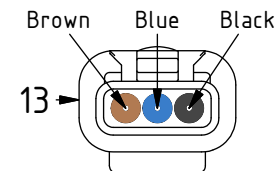
POS in order of assembly



### Hook:



### Cylinder:

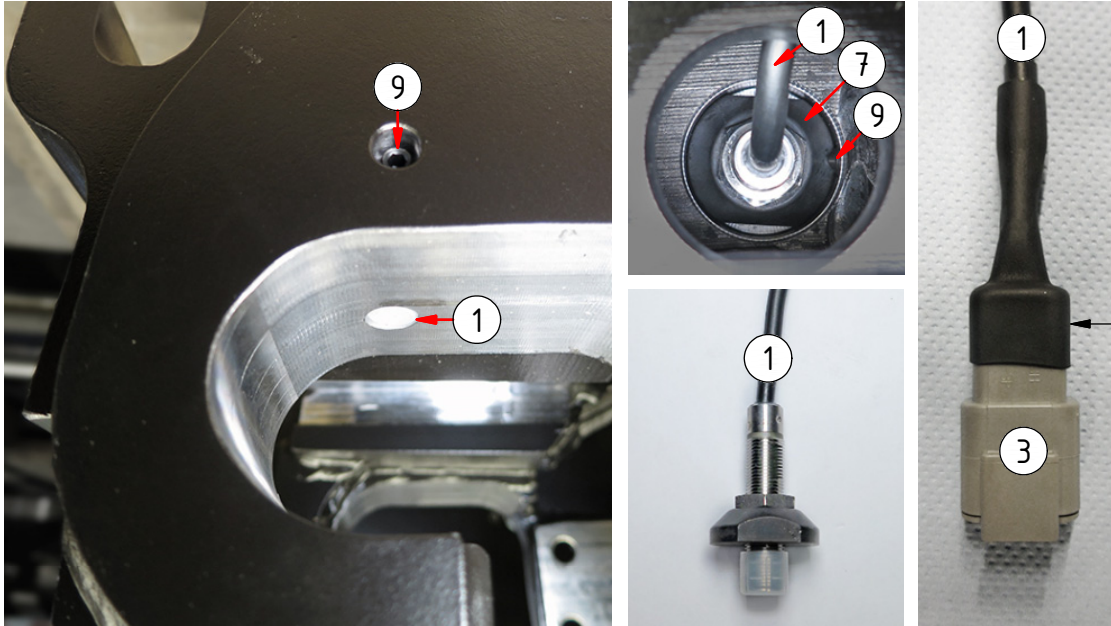


# QS80 - Std components

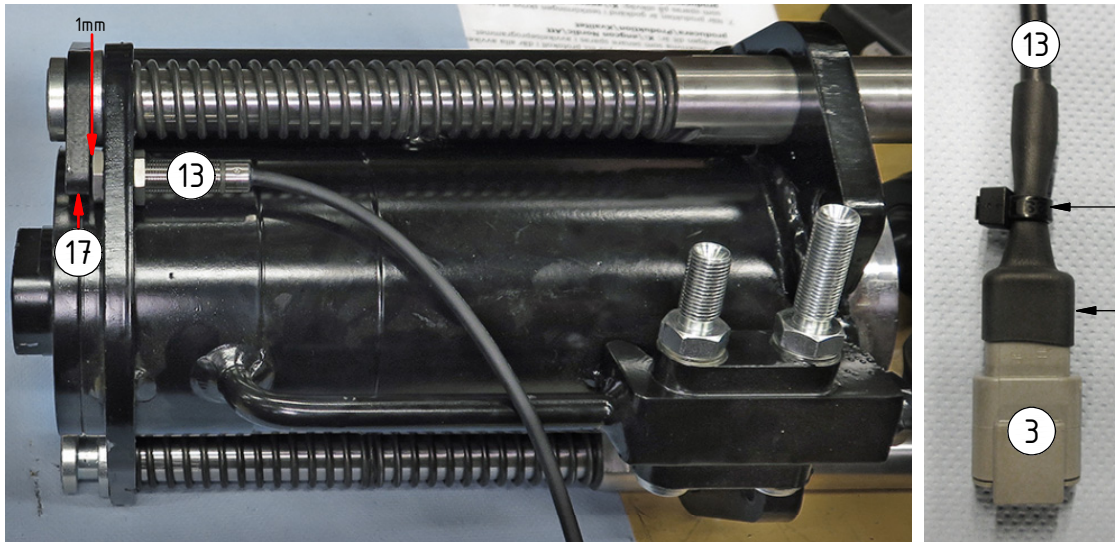
EC233, EC30, QS80

POS	DESCRIPTION	PART	QTY	COMMENTS
1	Inductive sensor QSC (hook)	1040358	2	Mount just below surface edge (POS.2-3 included)
3	Connector Deutsch DTM04-3P	8000064	2	
4	Apply dielectric compound before inserting wedge. Peel cables 5mm			
5	Shrink tube on both connectors			
6	Cable tie on cylinder connector			
7	Position nut, inductive sensor	1029432	1	
9	Set Screw M8x16	610808	1	
13	Inductive sensor QSC (cylinder)	1040359	1	Mount 1mm from Sensor plate (POS.2-3 included)
17	Sensor plate	1035535	1	

Hook:



Cylinder:

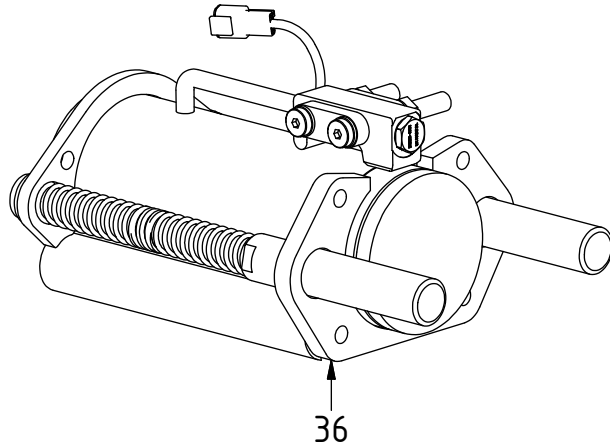


POS in order of assembly

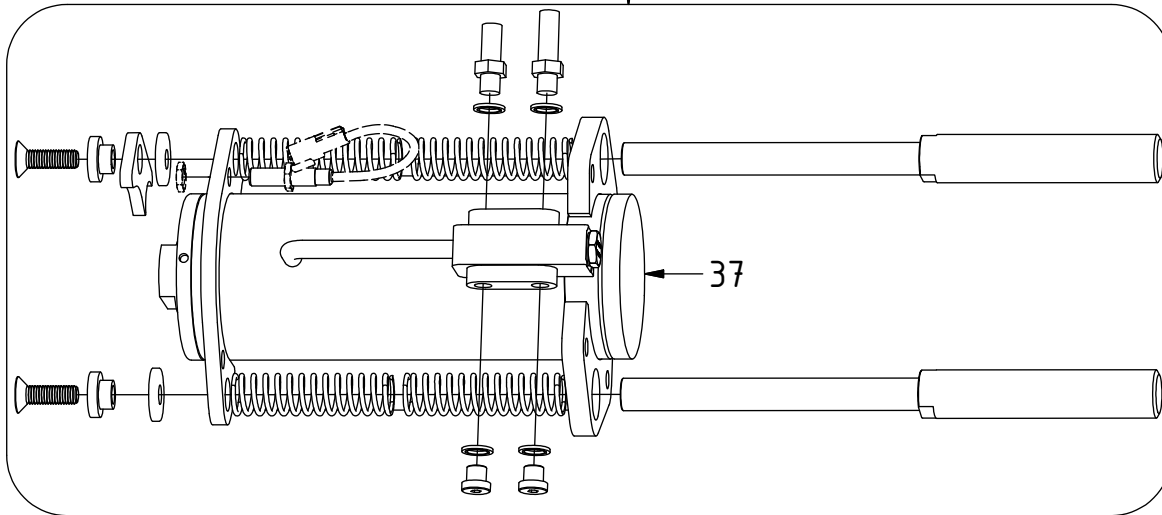
## Related spare parts:

"V1 QSC" Replaced by "V2 QSC" from 2018-12

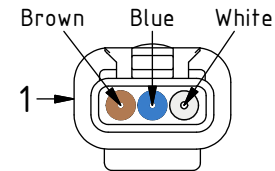
POS	DESCRIPTION	PART	QTY	COMMENTS
11	Lock cylinder QS80 V2 Compl. QSC	1049727	1	(POS.12-23 included)
12	Lock cylinder QS80 V2	1048783	1	See "Lock cylinders"
36	Lock cylinder QS80 Compl. QSC	1044993	1	Replaced by POS.11 from 2018-12 (POS.13-23, 37 included)
37	Lock cylinder QS80	1035494	1	Replaced by POS.12 from 2018-12



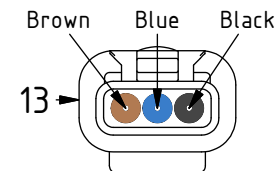
For cylinder after 2018-01 *without* QSC: use 1050637



### Hook:



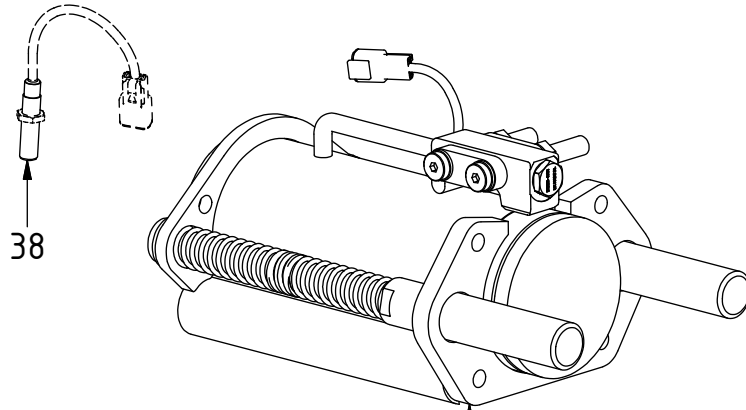
### Cylinder:



# QS80 - Std components

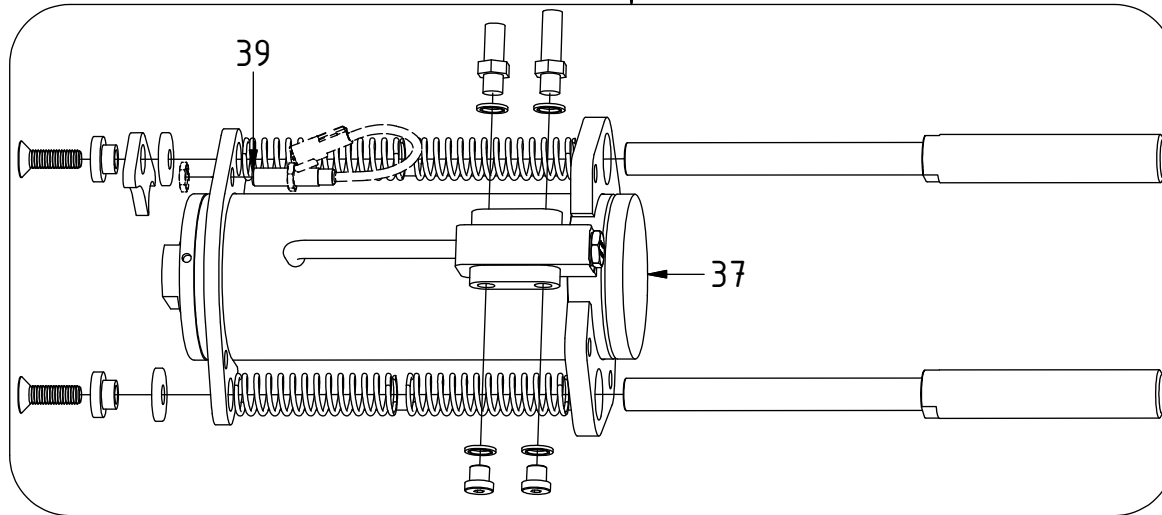
## Related spare parts:

"V1" Replaced by "V1 QSC" from 2018-01



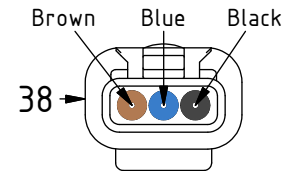
1041151 Used on models not QSC-ready until 2018-01, note connectors. Replaced by POS.36 from 2018-01

For cylinder after 2018-01 **without** QSC: use 1050637



POS	DESCRIPTION	PART	QTY	COMMENTS
1	Inductive sensor QSC (hook)	1040358	2	Mount just below surface edge (POS.2-3 included)
12	Lock cylinder QS80 V2	1048783	1	See "Lock cylinders"
13	Inductive sensor QSC (cylinder)	1040359	1	Mount 1mm from Sensor plate (POS.2-3 included)
36	Lock cylinder QS80 Compl. QSC	1044993	1	Replaced by POS.11 from 2018-12 (POS.13-23, 37 included)
37	Lock cylinder QS80	1035494	1	Replaced by POS.12 from 2018-12
38	Inductive sensor (hook)	1029068	1	Replaced by POS.1 from 2018-01 Mount just below surface edge (POS.2-3 included)
39	Inductive sensor (cylinder)	1036833	1	Replaced by POS.13 from 2018-01 Mount 1mm from Sensor plate (POS.2-3 included)
40	Lock cylinder QS80 V2 Compl. (Spare part only)	1050637	1	Replaces 1041151. Used without QSC (POS.12, 14-23, 39 included)

### Hook:



### Cylinder:

