

COVERSHEET

Planned document changes:

Briefly:

2024-08-13. POS.13 replaced by 612020 (ZFSHL).

Document changes:

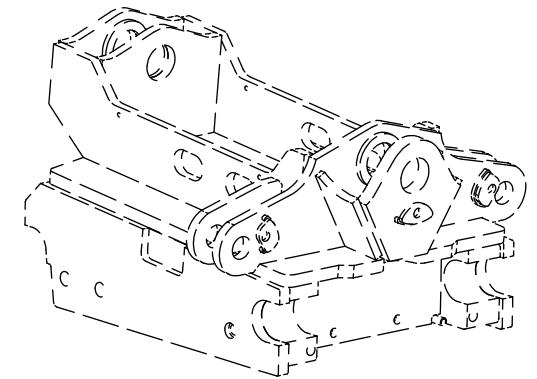
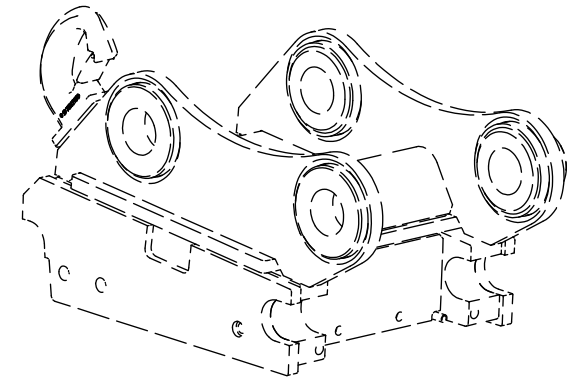
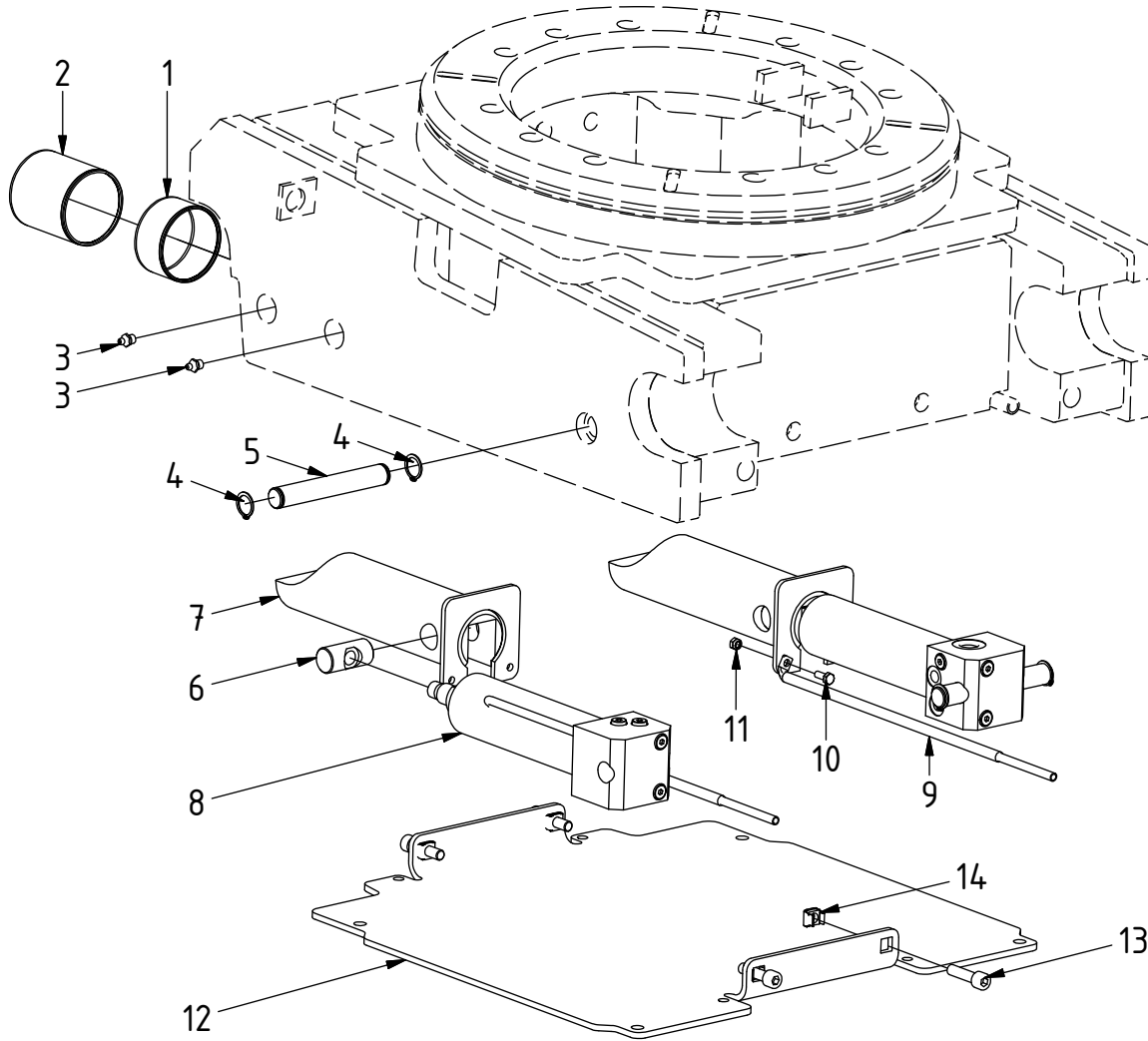
Date:	Change:	Rev. after change:
2021-04-23	Coversheet added.	A
2016-07-07	New instruction.	-

S80 - Std components

EC30, RFS80, TFS80, EC20

POS	DESCRIPTION	PART	QTY	COMMENTS
1	Bushing 70/75x40	630311	2	Grease bushings generously
2	Bushing 70/75x80	630312	2	Grease bushings generously
3	Grease Nipple	7114.03	4	
4	Circlips	640201	4	
5	Stud S80	401113	2	
6	Lock pin S80	402894	2	
7	Lock wedge	302535	2	
8	Lock cylinder sterlingvalve +springload Complete	1014515	2	Loctite to POS.6
9	Indicator pin	400911	2	
10	Hex Head Screw 6x16	610109	2	
11	Hex. Nut M6 Nylon Lock	610921	2	
12	Cover Plate 32/S80	1003094	1	
13	Socket Head Screw 10x40	610453	4	
14	Cage Nut M10 C	610957	4	

POS in order of assembly



S80 - Std components

Related spare parts

POS	DESCRIPTION	PART	QTY	COMMENTS
8	Lock cylinder sterlingvalve +springload Complete	1014515	2	Loctite to POS.6
12	Cover Plate 32/S80	1003094	1	
15	Lock cylinder sterlingvalve Complete	1011422	2	Replaced by POS.8 from 2013-05
16	Lock cylinder	401168K	2	Replaced by POS.15 from 2010-11
17	Cover Plate S80	200434	1	Replaced by POS.12

POS in order of assembly

