

COVERSHEET

Planned document changes:

Briefly:

No planned changes.

Document changes:

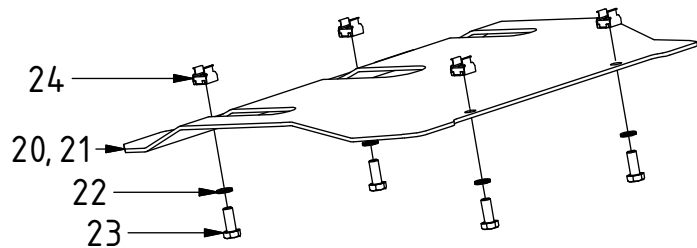
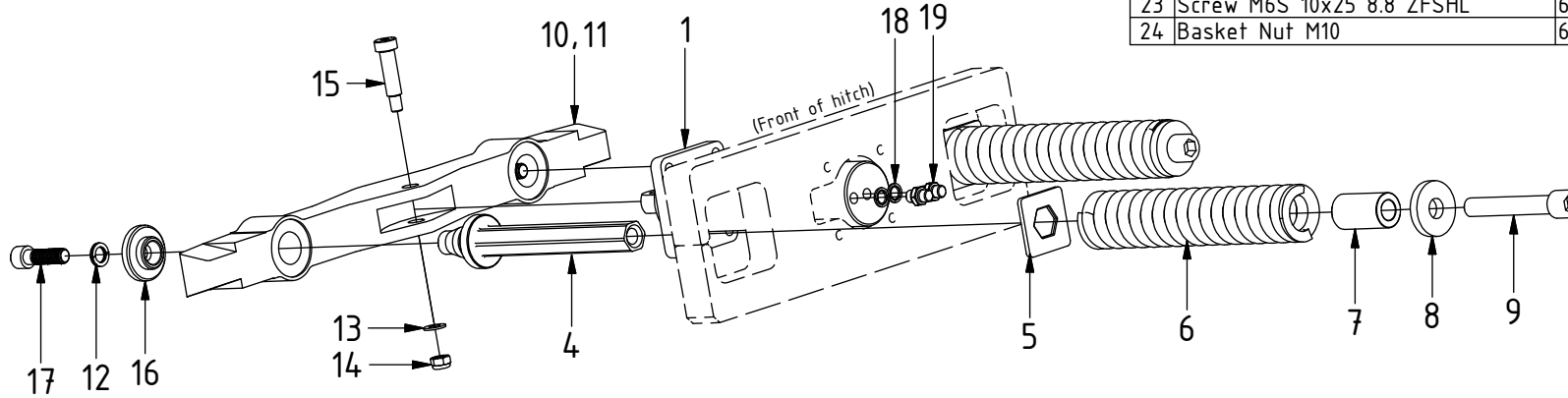
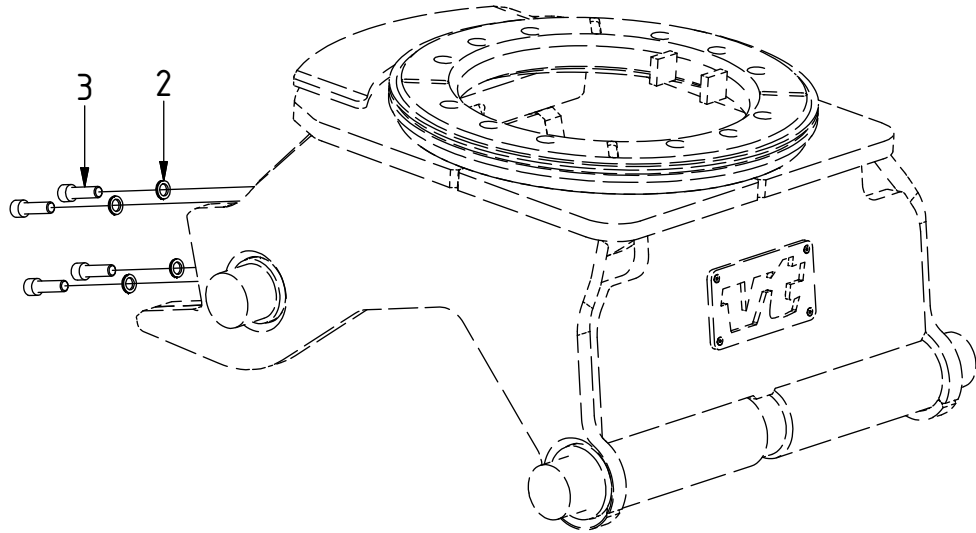
| Date: | Change: | Rev. after change: |
|--------------|--|-------------------------------|
| 2021-02-03 | Screws replaced. | G |
| 2020-04-23 | Main screw for wedge replaced. | F |
| 2018-06-21 | Washers corrected. | E |
| 2018-04-27 | Screws for wedge corrected. | D |
| 2017-07-11 | Layout/corrected view alignment. | C |
| 2017-05-31 | Art no for cage nut updated. Coversheet added. | B |

CW30EC/CW40EC - Std components

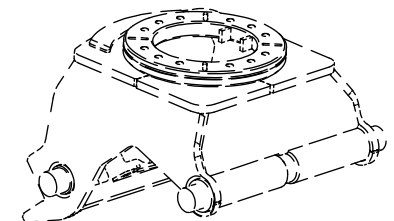
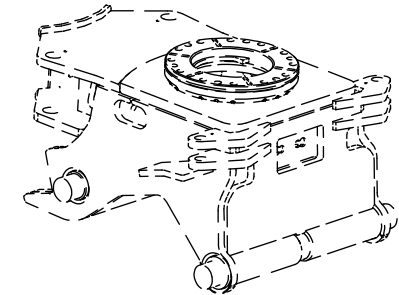
Drawing No: 1037777 / G

EC15, EC20, EC30, EC14, EC219, EC226, EC233

POS in order of assembly



| POS | DESCRIPTION | PART | QTY | COMMENTS |
|-----|--|---------|-----|------------------------------|
| 1 | Lock cylinder CW30 VB | 303510 | 1 | |
| 2 | Washer NL12 | 611042 | 4 | |
| 3 | Screw MC6S 12x40H 12.9 ZFSHL | 6000141 | 4 | |
| 4 | Wedge Holder | 1001847 | 2 | |
| 5 | Square Washer | 1001846 | 2 | |
| 6 | Spring $\varnothing 63/38-305$ Blue | 64.0117 | 2 | |
| 7 | Spacer | 1001845 | 2 | |
| 8 | Washer | 1001844 | 2 | |
| 9 | Screw MC6S 20x130 12.9 ZFSHL | 6000327 | 2 | Loctite 2700 |
| 10 | Wedge | 1007836 | 1 | |
| 11 | Wedge - S | 1013080 | 1 | For CW30SEC/CW40SEC (Narrow) |
| 12 | Washer NL 16mm | 611044 | 2 | |
| 13 | Flat Washer | 611007 | 1 | |
| 14 | Lock Nut M6M M12x1,75 8,8 FZB | 610924 | 1 | |
| 15 | Shoulder bolt $\varnothing 16 \times 50 / M12$ | 6000289 | 1 | |
| 16 | Washer | 1001836 | 2 | |
| 17 | Screw MC6S 16x55 12.9 ZFSHL | 6000328 | 2 | Loctite 2700 |
| 18 | Washer GBR04 1/4 | 710702 | 2 | |
| 19 | Adapter 1/4" | 710135 | 2 | |
| 20 | Cover plate | 1007778 | 1 | |
| 21 | Cover plate - S | 1013058 | 1 | For CW30SEC/CW40SEC (Narrow) |
| 22 | Washer NL10 | 611041 | 4 | |
| 23 | Screw M6S 10x25 8.8 ZFSHL | 6000329 | 4 | |
| 24 | Basket Nut M10 | 610952 | 4 | |



Related spare parts

| POS | DESCRIPTION | PART | QTY | COMMENTS |
|-----|--------------------------------------|---------|-----|----------------------|
| 1 | Lock cylinder CW30 VB | 303510 | 1 | |
| 25 | Lock cylinder $\varnothing 35/65/45$ | 1007727 | 1 | For ss5, ss9IQ, ss10 |

Replaced from 2016-10

