

## COVERSHEET

## Planned document changes:

**Briefly:**

No planned changes.

## Document changes:

<b>Date:</b>	<b>Change:</b>	<b>Rev. after change:</b>
2024-09-10	Spare parts clarified.	F
2022-10-07	Swivel sealing updated.	E
2022-08-17	Included parts updated.	D
2018-06-21	Layout/irrelevant.	C
2017-12-11	Screws for Wear washer updated. Coversheet added.	B

*Readers note:*

Indicates instruction.

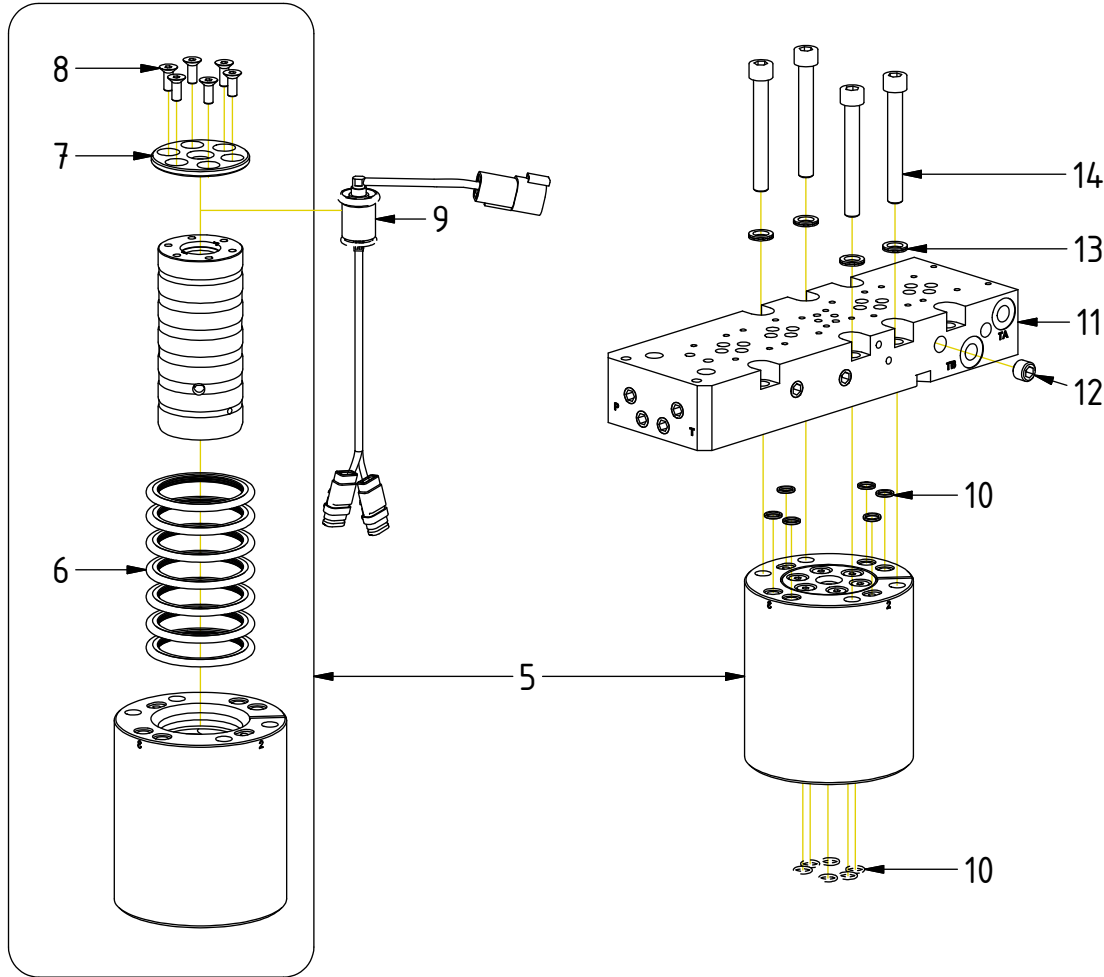


Represents Hose.

Dashed lines for overview, mounts  
on other pages/assemblies.

# Valve block & Swivel 6-ch

EC209

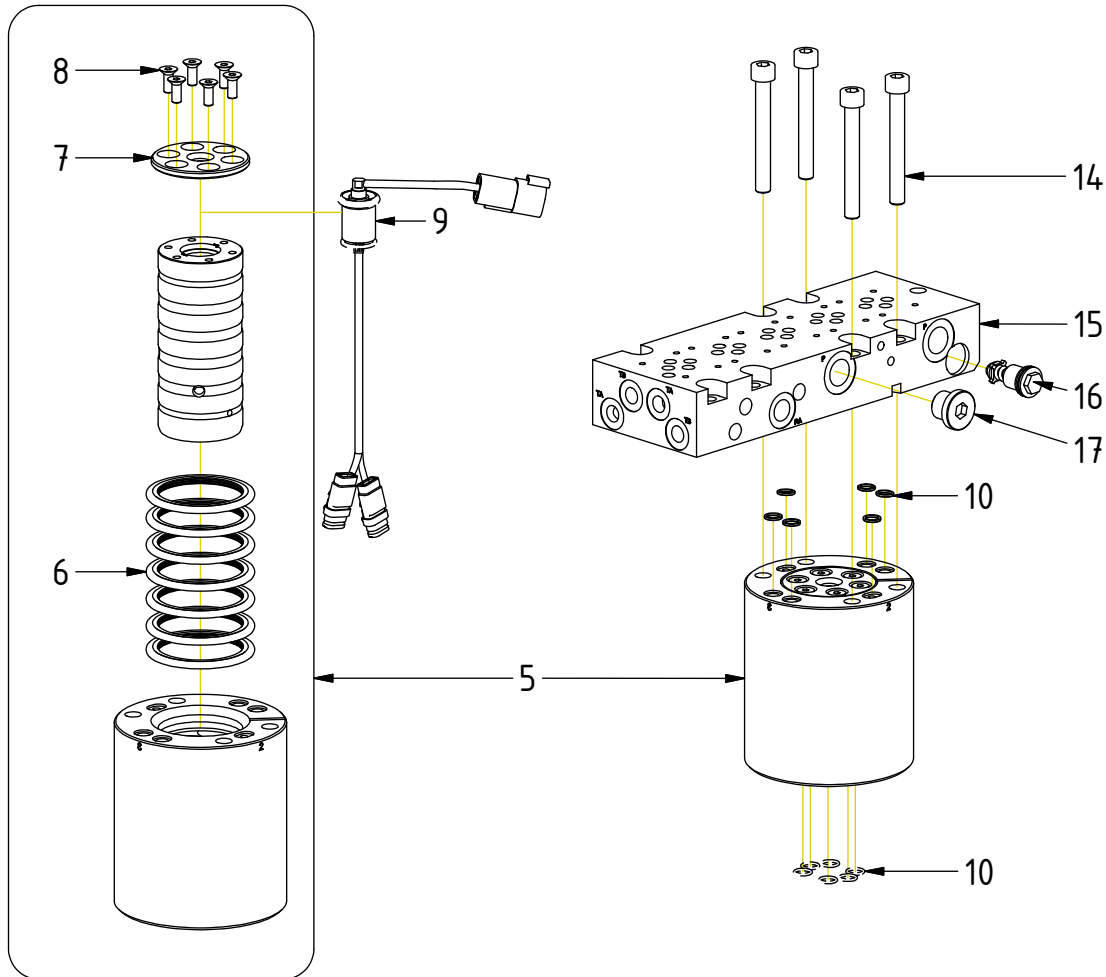


POS	DESCRIPTION	PART	QTY	COMMENTS
1	EC209 Valve block 5v & Swivel 6-ch Complete w. slip ring DTM	1030480	1	(POS.5, 9, 10-14 incl.)
2	EC209 Valve block 5v & Swivel 6-ch Complete w/o slip ring	1025501	1	(POS.5, 10-14 incl.)
5	Swivel 6-ch for slip ring Complete	1023910	1	(POS.6-8 incl.)
6	Swivel Sealing	7001672	7	
7	Wear washer	1023906	1	
8	Screw MF6S 6x16	610604	6	
9	Kit Slip ring - DTM	1032566	1	(Contains connectors and o-rings)
10	O-ring 9,25x1,78	710901	12	QTY: 6 part of rotator frame assy.
11	Valve Block EC209	1025733	1	
12	Pipe plug 1/4"	711508	10	
13	Washer NL 10mm	611041	4	
14	Screw MC6S 10x80 12.9	610463	4	

POS in order of assembly

# Valve block & Swivel 6-ch

EC219-226, EC10-30



POS	DESCRIPTION	PART	QTY	COMMENTS
3	EC219-226, EC30 Valve bl. 5v & Swivel 6-ch Compl. w. slip ring	1030297	1	(POS.5, 9, 10, 14-17 incl.)
4	EC219-226, EC10-30 Valve bl. 5v & Swivel 6-ch Compl. w/o slip ring	1023911	1	(POS.5, 10, 14-17 incl.)
5	Swivel 6-ch for slip ring Complete	1023910	1	(POS.6-8 incl.)
6	Swivel Sealing	7001672	7	
7	Wear washer	1023906	1	
8	Screw MF6S 6x16	610604	6	
9	Kit Slip ring - DTM	1032566	1	(Contains connectors and o-rings)
10	O-ring 9,25x1,78	710901	12	QTY: 6 part of rotator frame assy.
14	Screw MC6S 10x80 12.9	610463	4	
15	Valve Block EC219-226, EC10-30	1023904	1	
16	Valve Pressure reduction PVLP63	730237	2	
17	Plug 1/2"	711500	4	

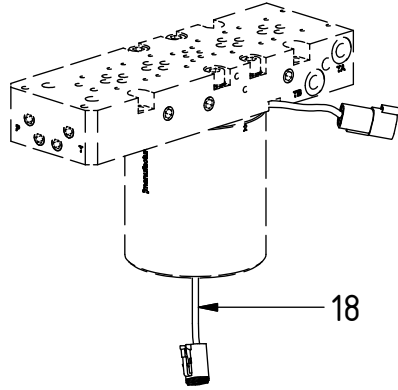
POS in order of assembly

## SPARE PARTS

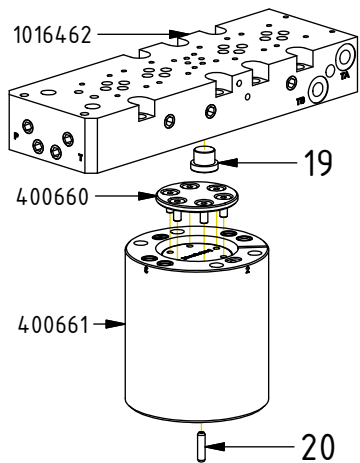
POS	DESCRIPTION	PART	QTY	COMMENTS
2	EC209 Valve block 5v & Swivel 6-ch Complete w/o slip ring	1025501	1	(POS.5, 10-14 incl.)
4	EC219-226, EC10-30 Valve bl. 5v & Swivel 6-ch Compl. w/o slip ring	1023911	1	(POS.5, 10, 14-17 incl.)
9	Kit Slip ring - DTM	1032566	1	(Contains connectors and o-rings)
18	Kit Slip ring - DT	1032565	1	(Contains connectors and o-rings)
19	Plug 3/8"	711504	1	Used until 20216-04
20	Slotted spring pin	640403	1	Used until 20216-04

POS in order of assembly

DT replaced by DTM from 2015-04



1019552 replaced by POS.2 from 2016-04



201683 replaced by POS.4 from 2016-04

