

GRD20

COVERSHEET

Planned document changes:

Briefly:

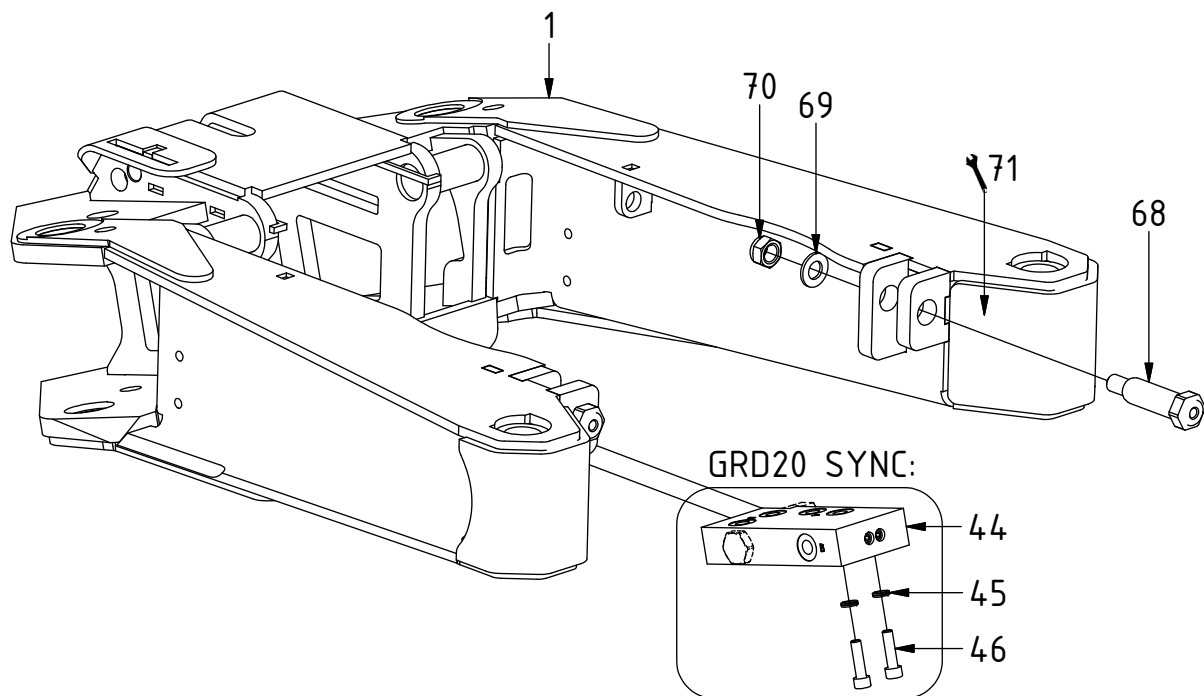
No planned changes.

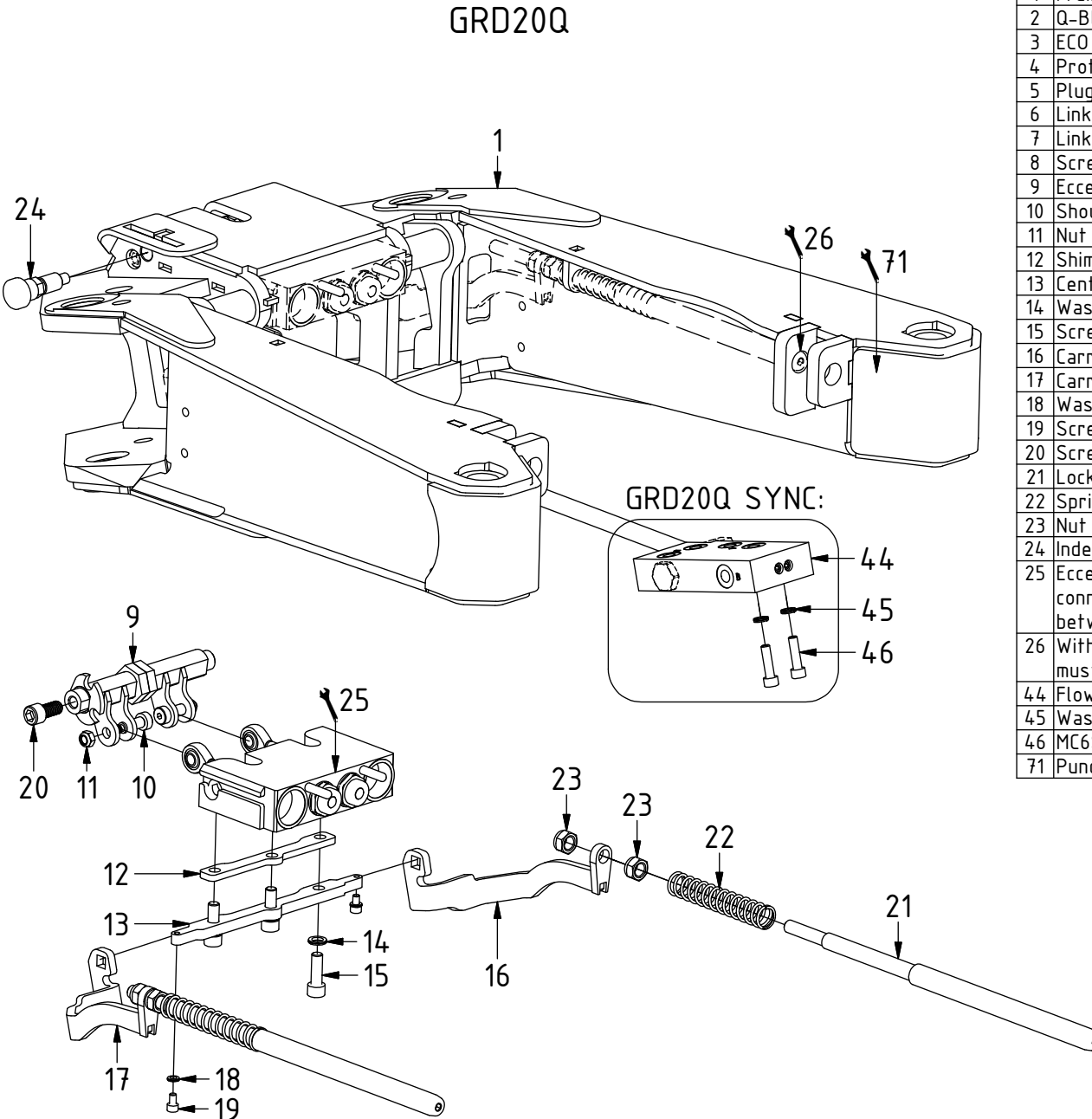
Document changes:

| Date: | Change: | Rev. after change: |
|--------------|---|-------------------------------|
| 2019-12-04 | Carriers replaced. | H |
| 2019-11-05 | SYNC added, cylinder covers & hoses replaced. | G |
| 2019-04-29 | Cylinders, covers, hoses and GRD20 attachment replaced. | F |
| 2019-02-22 | Missing loctite added. | E |
| 2018-09-21 | ECO-couplings torque added. | D |
| 2018-04-26 | Spare parts page added. | C |
| 2018-01-10 | New instructions for eccenter function. | B |
| 2017-06-22 | Lock nuts for lockpin added. New shim for grab axle. Location for serial number updated. Coversheet added. | A |

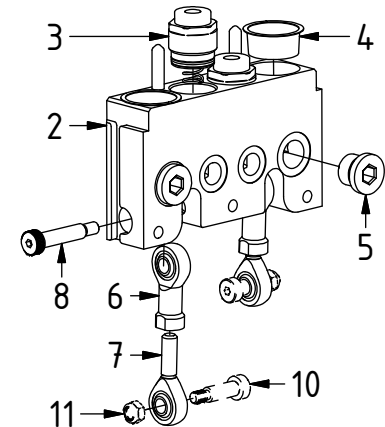
GRD20

| POS | DESCRIPTION | PART | QTY | COMMENTS |
|-----|--------------------------------|---------|-----|-----------------|
| 1 | Frame GRD20 | 1034320 | 1 | |
| 44 | Flow divider GRD Complete | 7000840 | 1 | |
| 45 | Washer NL 8mm | 611040 | 6 | QTY: 8 for SYNC |
| 46 | MC6S M8x30 12.9 Geomet | 611519 | 2 | |
| 68 | Lock pin GRD20/GRD70 | 1050735 | 2 | |
| 69 | Flat Washer | 611008 | 2 | |
| 70 | Hex. Nut M14 Nylon Lock | 610925 | 2 | |
| 71 | Punch serial number into frame | | | |





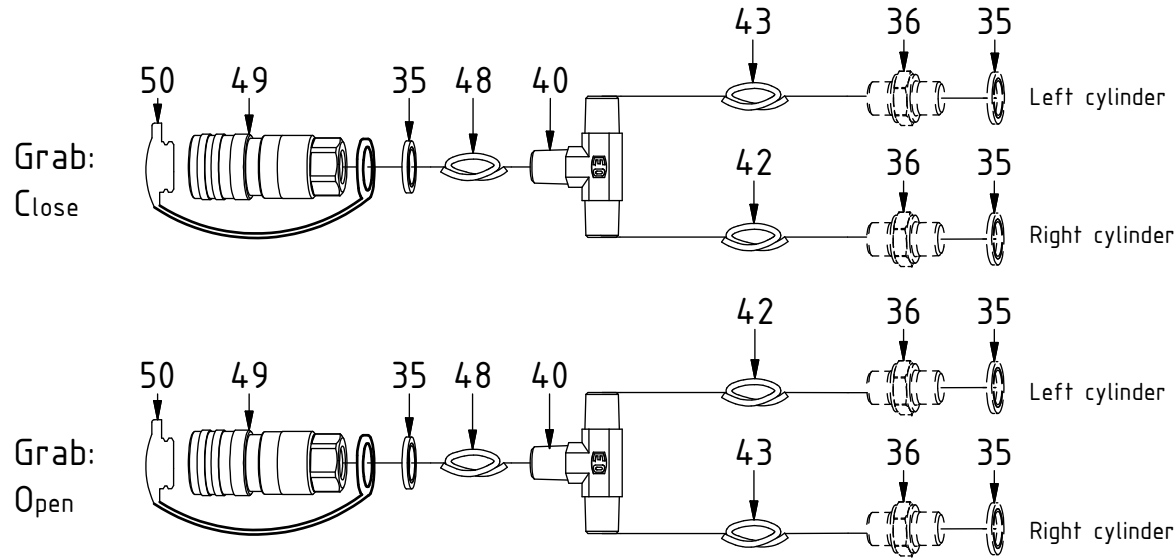
| POS | DESCRIPTION | PART | QTY | COMMENTS |
|-----|---|---------|-----|--|
| 1 | Frame GRD20 | 1034320 | 1 | |
| 2 | Q-Block GRD20 | 1032858 | 1 | |
| 3 | ECO 45/50 3/8" male | 1028873 | 2 | Torque: 60Nm |
| 4 | Protection plug TEC060 | 7000154 | 2 | |
| 5 | Plug 70125-08 (1/2") | 711500 | 2 | |
| 6 | Linkhead female | 1033284 | 2 | |
| 7 | Linkhead male | 1033283 | 2 | Unscrew 4,5 turns from bottomed |
| 8 | Screw 40x10 M8 | 6000085 | 2 | Loctite 2700 |
| 9 | Eccenter | 1037048 | 1 | |
| 10 | Shoulder bolt \varnothing 10x25/M8 | 611703 | 2 | |
| 11 | Nut M8 Lock | 610922 | 2 | |
| 12 | Shim center carrier GRD20 | 1034333 | 1 | |
| 13 | Center carrier GRD20 | 1034084 | 1 | |
| 14 | Washer NL10 | 611041 | 3 | |
| 15 | Screw MC6S 10x30 | 610452 | 3 | |
| 16 | Carrier Right (V3) | 1055562 | 1 | |
| 17 | Carrier Left (V3) | 1055560 | 1 | |
| 18 | Washer NL6 | 611039 | 2 | |
| 19 | Screw MC6S 6x10 | 611512 | 2 | |
| 20 | Screw MC6S 12x25 | 6000164 | 4 | Loctite 2700 |
| 21 | Lockpin GRD20 | 1034056 | 2 | |
| 22 | Spring | 1038209 | 2 | |
| 23 | Nut M12 Lock | 610924 | 4 | |
| 24 | Indexing plunger | 6000061 | 1 | |
| 25 | Eccenter function distance when connected: 0,5-1,2mm. Max difference between couplings: 0,35mm. | | | Measure both couplings. Adjust with linkheads. |
| 26 | With Q-block retracted, lockpin must align with surface | | | |
| 44 | Flow divider GRD Complete | 7000840 | 1 | |
| 45 | Washer NL 8mm | 611040 | 6 | QTY: 8 for SYNC |
| 46 | MC6S M8x30 12.9 Geomet | 611519 | 2 | |
| 71 | Punch serial number into frame | | | |



GRD20

| POS | DESCRIPTION | PART | QTY | COMMENTS |
|-----|-----------------------------|---------|-----|------------------------------|
| 35 | Washer GBR04 1/4" | 710702 | 6 | QTY depends on config (4-16) |
| 36 | Adapter 138-04-29 (1/4") | 710135 | 4 | |
| 40 | Adapter 851-04-04 (1/4") | 7000883 | 2 | |
| 41 | Hose kit GRD20 - Grab hoses | 7000890 | 1 | (POS.42-43 included) |
| 42 | Hose Grab Short | 7000889 | 2 | |
| 43 | Hose Grab Long | 7000888 | 2 | |
| 48 | Hose Grab Feed GRD | 7001034 | 2 | |
| 49 | Quick coupler 1/4" Female | 790110 | 2 | |
| 50 | Dust protection 1/4" Female | 790116 | 2 | |

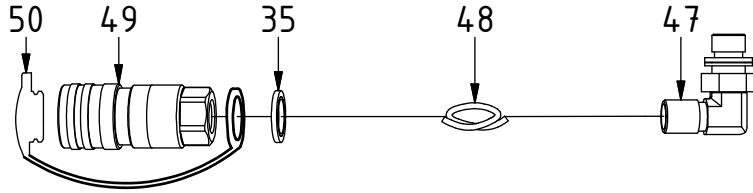
POS in order of assembly



GRD20

GRD20 SYNC

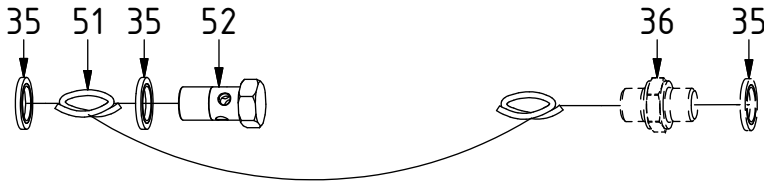
Grab:
Feed (A/B)



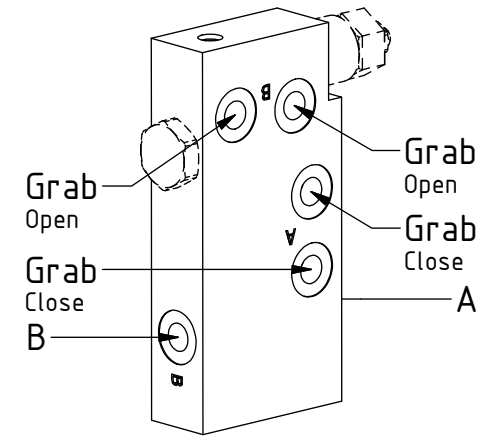
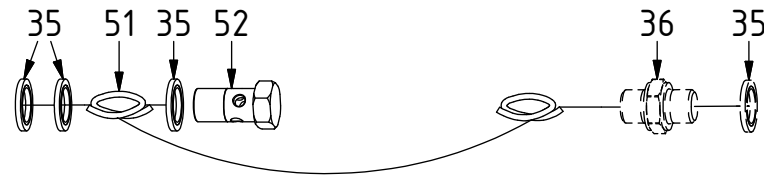
A/B

| POS | DESCRIPTION | PART | QTY | COMMENTS |
|-----|------------------------------|---------|-----|------------------------------|
| 35 | Washer GBR04 1/4" | 710702 | 6 | QTY depends on config (4-16) |
| 36 | Adapter 138-04-29 (1/4") | 710135 | 4 | |
| 47 | Adapter 401-04-04 90° (1/4") | 710151 | 2 | |
| 48 | Hose Grab Feed GRD | 7001034 | 2 | |
| 49 | Quick coupler 1/4" Female | 790110 | 2 | |
| 50 | Dust protection 1/4" Female | 790116 | 2 | |
| 51 | Hose Grab SYNC | 7001035 | 4 | |
| 52 | Banjo bolt 4451-04 (1/4") | 710271 | 4 | |

Grab:
Close



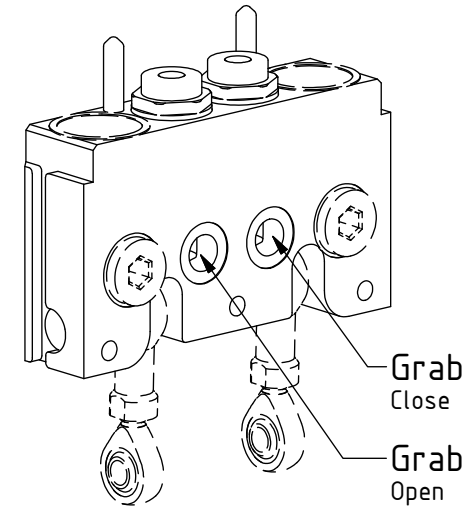
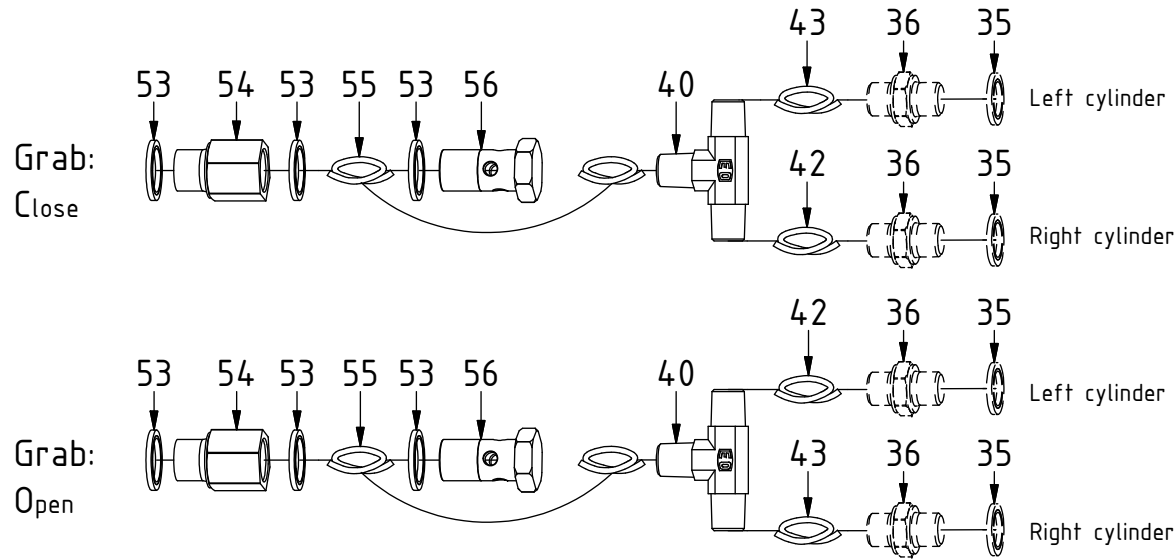
Grab:
Open



GRD20Q

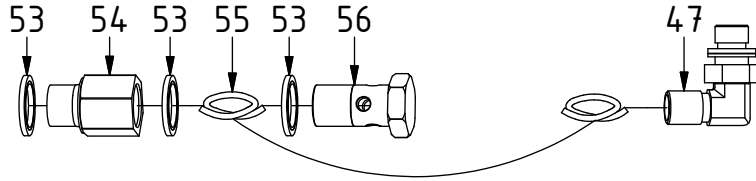
| POS | DESCRIPTION | PART | QTY | COMMENTS |
|-----|-----------------------------|---------|-----|------------------------------|
| 35 | Washer GBR04 1/4" | 710702 | 6 | QTY depends on config (4-16) |
| 36 | Adapter 138-04-29 (1/4") | 710135 | 4 | |
| 40 | Adapter 851-04-04 (1/4") | 7000883 | 2 | |
| 41 | Hose kit GRD20 - Grab hoses | 7000890 | 1 | (POS.42-43 included) |
| 42 | Hose Grab Short | 7000889 | 2 | |
| 43 | Hose Grab Long | 7000888 | 2 | |
| 53 | Washer GBR06 3/8" | 710703 | 6 | |
| 54 | Adapter 236-06-06 (3/8") | 710131 | 2 | |
| 55 | Hose Grab Feed GRD-Q | 7001059 | 2 | |
| 56 | Banjo bolt 4451-06 (3/8") | 710272 | 2 | |

POS in order of assembly



GRD20Q SYNC

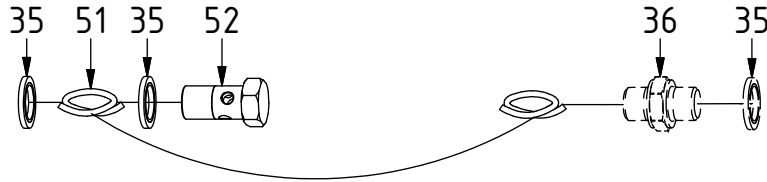
Grab:
Feed (A/B)



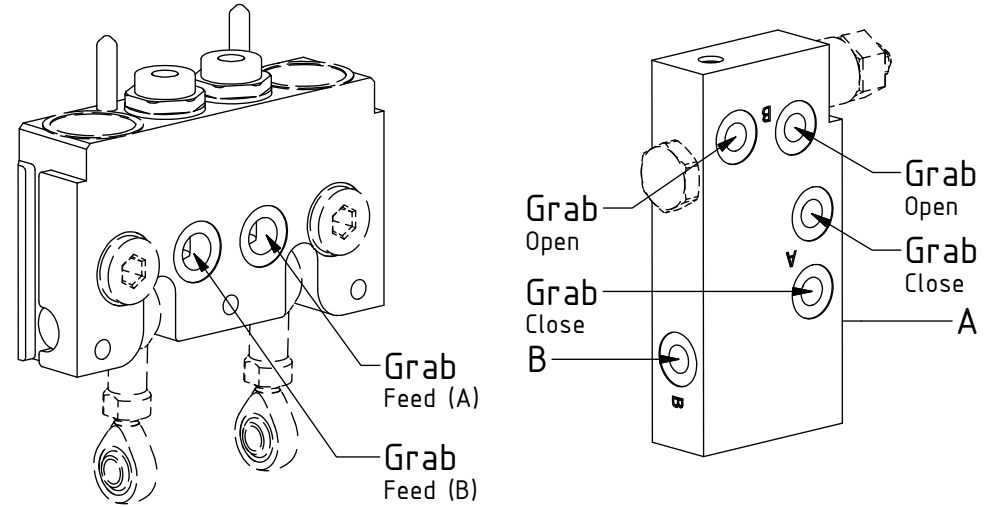
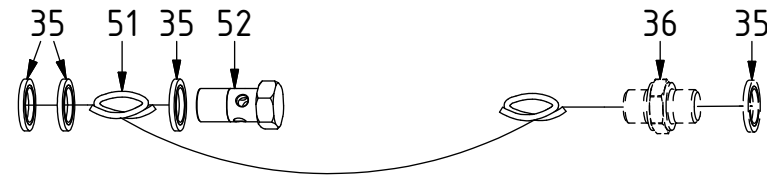
A/B

| POS | DESCRIPTION | PART | QTY | COMMENTS |
|-----|------------------------------|---------|-----|------------------------------|
| 35 | Washer GBR04 1/4" | 710702 | 6 | QTY depends on config (4-16) |
| 36 | Adapter 138-04-29 (1/4") | 710135 | 4 | |
| 47 | Adapter 401-04-04 90° (1/4") | 710151 | 2 | |
| 51 | Hose Grab SYNC | 7001035 | 4 | |
| 52 | Banjo bolt 4451-04 (1/4") | 710271 | 4 | |
| 53 | Washer GBR06 3/8" | 710703 | 6 | |
| 54 | Adapter 236-06-06 (3/8") | 710131 | 2 | |
| 55 | Hose Grab Feed GRD-Q | 7001059 | 2 | |
| 56 | Banjo bolt 4451-06 (3/8") | 710272 | 2 | |

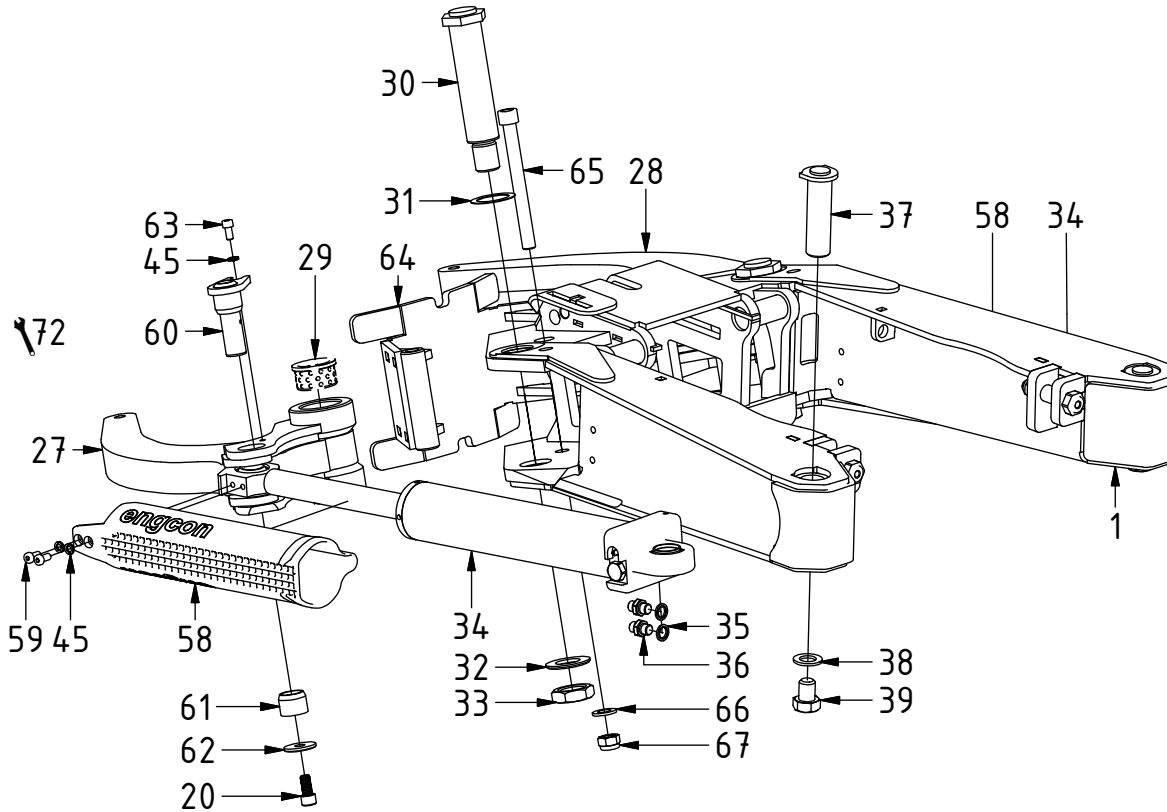
Grab:
Close



Grab:
Open



GRD20 & GRD20Q

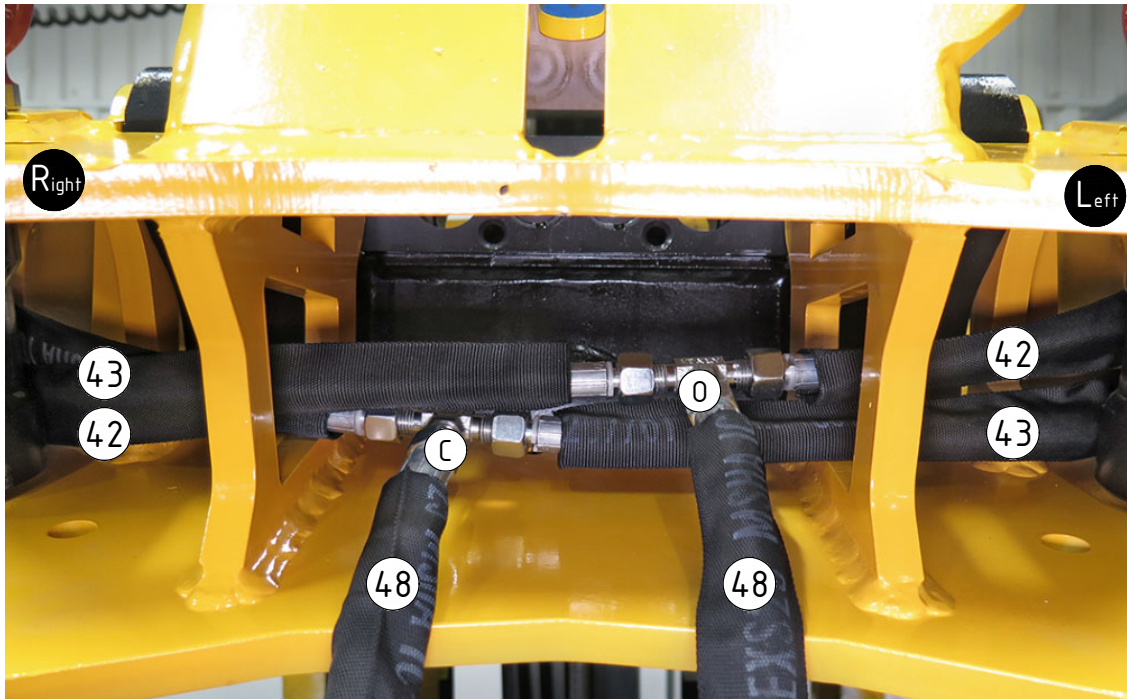


| POS | DESCRIPTION | PART | QTY | COMMENTS |
|-----|---|---------|-----|--|
| 1 | Frame GRD20 | 1034320 | 1 | |
| 20 | Screw MC6S 12x25 | 6000164 | 4 | Loctite 2700 |
| 27 | Grab arm Left | 1031144 | 1 | (POS.29 included) |
| 28 | Grab arm Right | 1031147 | 1 | (POS.29 included) |
| 29 | Bushing | 631001 | 4 | |
| 30 | Axle grab arm | 1032840 | 2 | Torque: 649Nm |
| 31 | Shim GDR20 56x40,5x1 | 1042067 | 4 | Also used between grab arm and frame if required |
| 32 | Washer M30 | 6000053 | 2 | |
| 33 | Nut M30 | 6000059 | 2 | Torque: 649Nm |
| 34 | Grab cylinder | 1048549 | 2 | |
| 35 | Washer GBR04 1/4" | 710702 | 6 | QTY depends on config (4-16) |
| 36 | Adapter 138-04-29 (1/4") | 710135 | 4 | |
| 37 | Axle cylinder | 1029217 | 2 | |
| 38 | Washer M20 | 611010 | 2 | |
| 39 | Screw M6S 20x25 | 6000054 | 2 | Loctite 2700 |
| 45 | Washer NL 8mm | 611040 | 6 | QTY: 8 for SYNC |
| 58 | Cylinder cover | 1051368 | 2 | |
| 59 | MLC6S M8x16 10.9 FZB | 6000220 | 4 | |
| 60 | Axle grab arm/cylinder | 1034640 | 2 | |
| 61 | Sleeve axle | 1034641 | 2 | |
| 62 | Washer 13x40x4 | 6000056 | 2 | |
| 63 | Screw MC6S 8x16 | 610432 | 2 | |
| 64 | Grab support GRD20 | 1034063 | 1 | |
| 65 | Screw MC6S 16x160 | 610536 | 2 | |
| 66 | Washer 17x30x3 | 611009 | 2 | |
| 67 | Hex Nut M16 Lock | 610926 | 2 | |
| 72 | GRD20 must be delivered with grab arms open | | | Distance 360mm between tips |

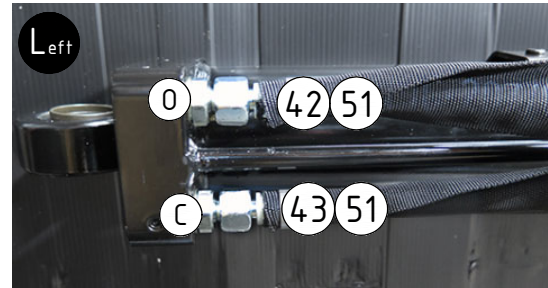
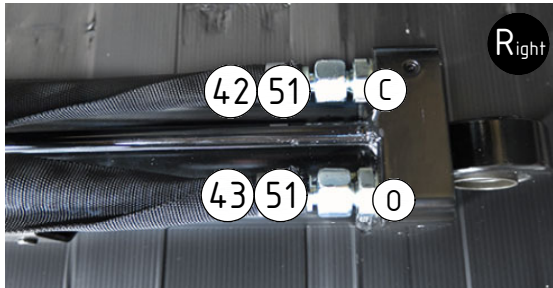
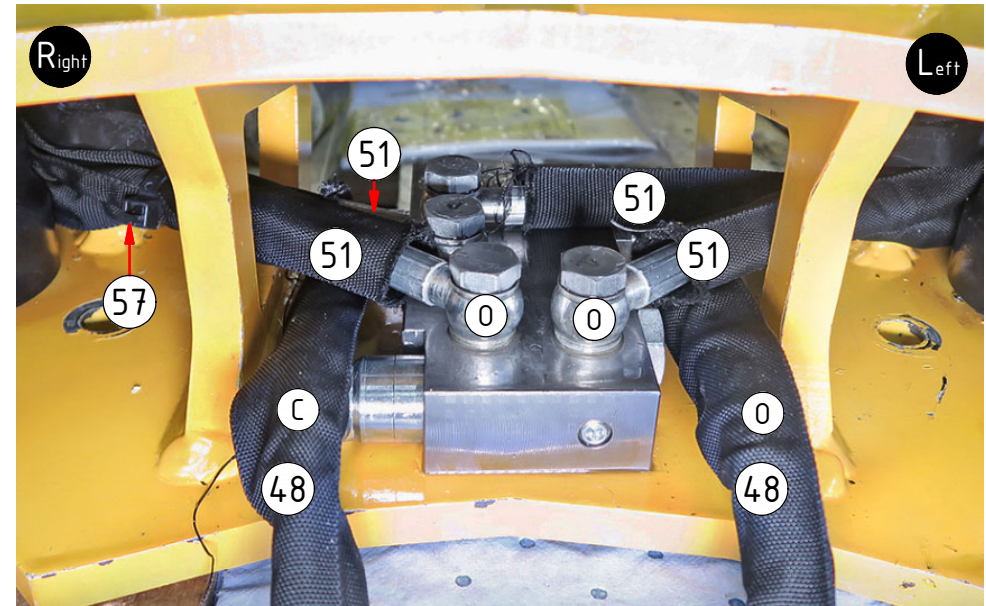
POS in order of assembly

GRD20

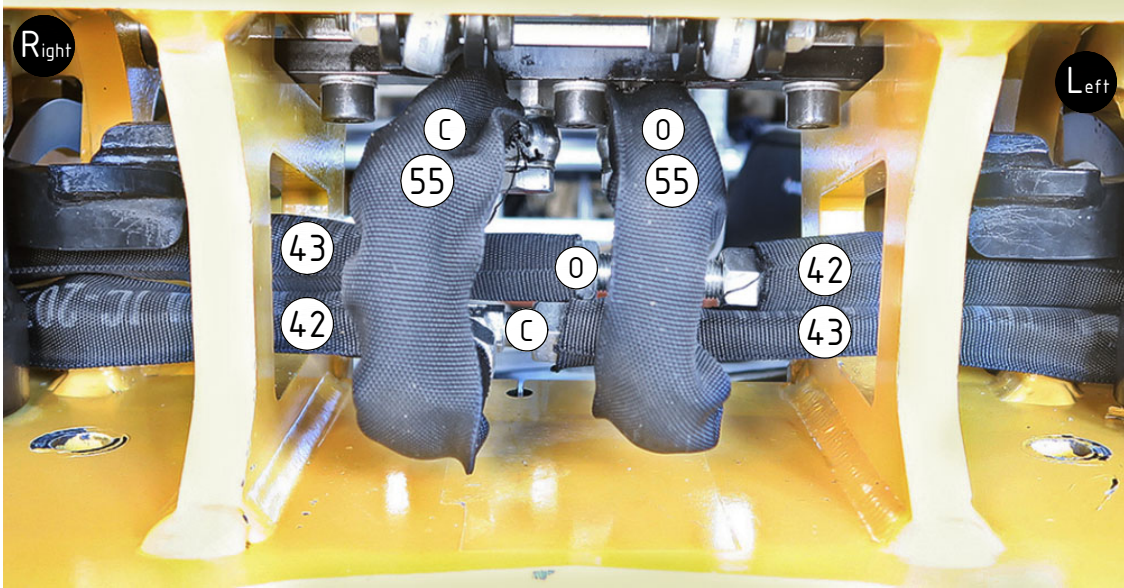
| POS | DESCRIPTION | PART | QTY | COMMENTS |
|-----|-----------------------------|---------|-----|------------------------------|
| 41 | Hose kit GRD20 - Grab hoses | 7000890 | 1 | (POS.42-43 included) |
| 42 | Hose Grab Short | 7000889 | 2 | |
| 43 | Hose Grab Long | 7000888 | 2 | |
| 48 | Hose Grab Feed GRD | 7001034 | 2 | |
| 51 | Hose Grab SYNC | 7001035 | 4 | |
| 57 | Cable tie 7,8x360 | 1021587 | 1 | Mount around both grab hoses |



GRD20 SYNC:

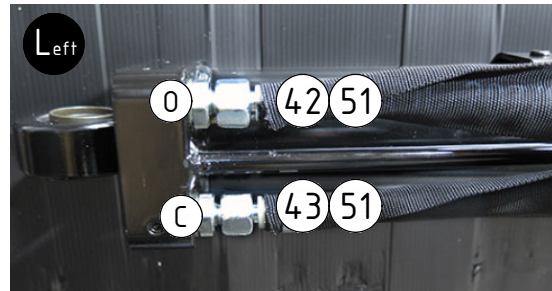
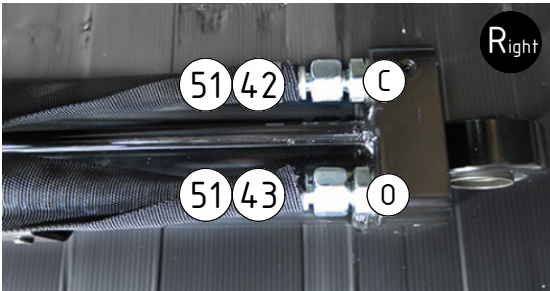
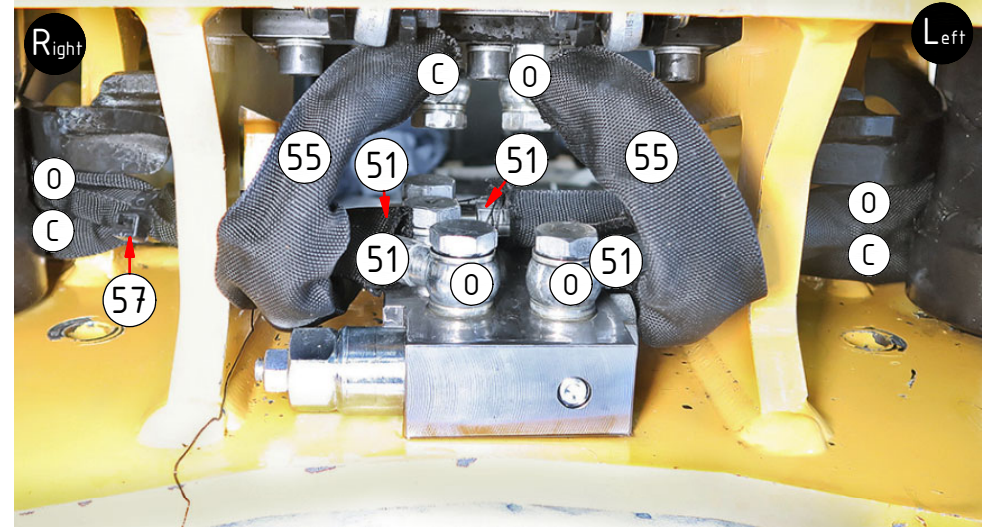


GRD20Q



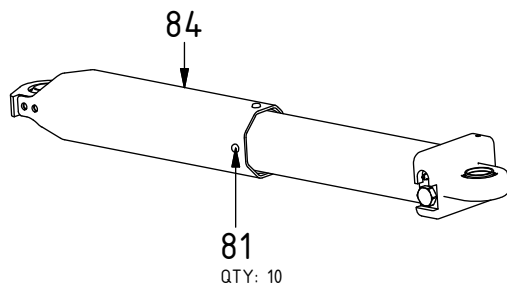
| POS | DESCRIPTION | PART | QTY | COMMENTS |
|-----|---|---------|-----|--|
| 25 | Eccenter function distance when connected: 0,5-1,2mm. Max difference between couplings: 0,35mm. | | | Measure both couplings. Adjust with linkheads. |
| 41 | Hose kit GRD20 - Grab hoses | 7000890 | 1 | (POS.42-43 included) |
| 42 | Hose Grab Short | 7000889 | 2 | |
| 43 | Hose Grab Long | 7000888 | 2 | |
| 51 | Hose Grab SYNC | 7001035 | 4 | |
| 55 | Hose Grab Feed GRD-Q | 7001059 | 2 | |
| 57 | Cable tie 7,8x360 | 1021587 | 1 | Mount around both grab hoses |

GRD20Q SYNC:



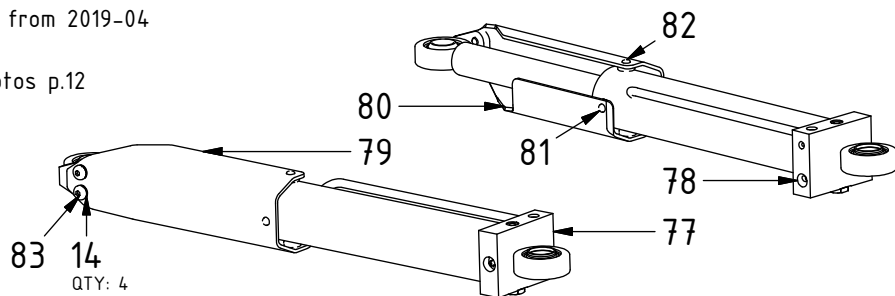
Related spare parts

GRD20 & GRD20Q:
Replaced from 2019-07



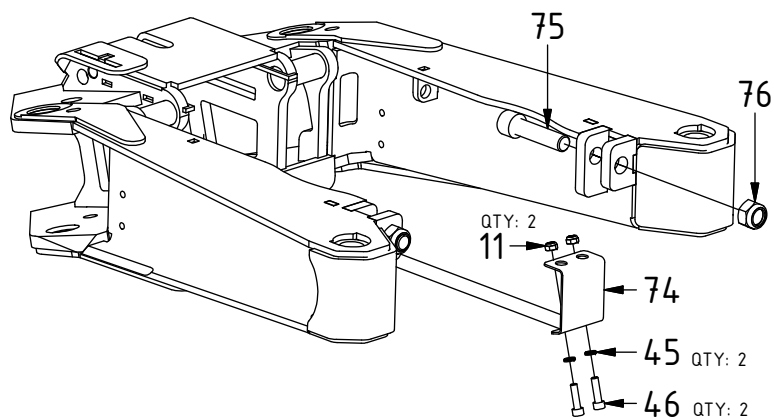
GRD20 & GRD20Q:
Replaced from 2019-04

Hose photos p.12



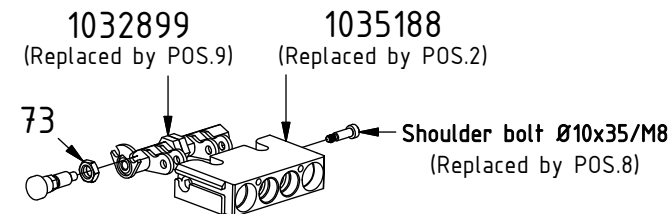
GRD20:
Used until 2019-04

Hose photos p.12



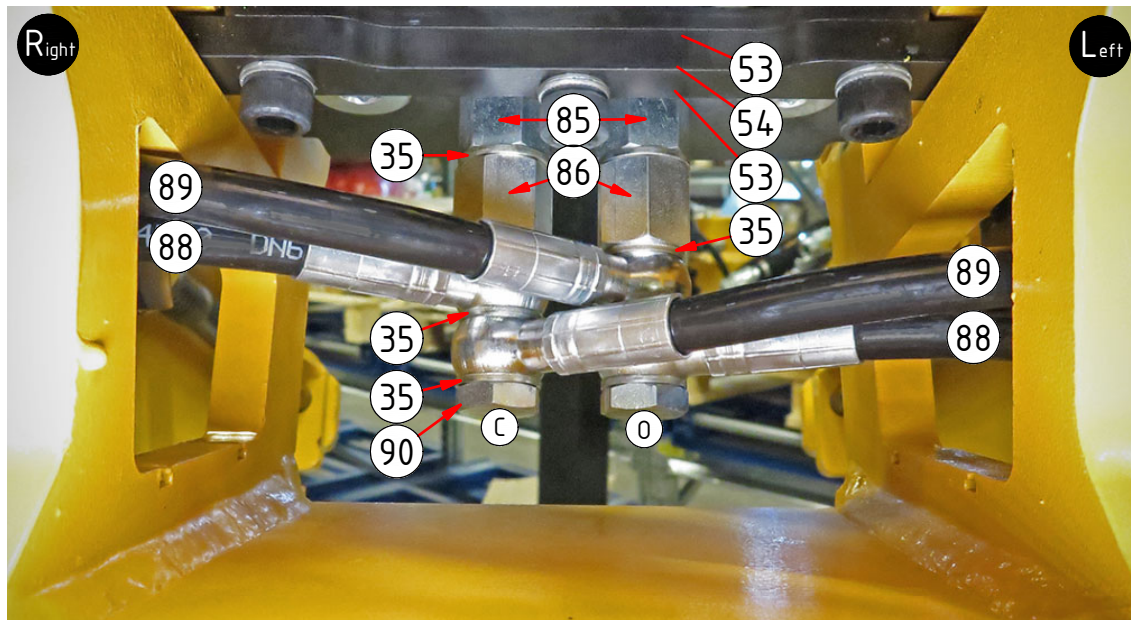
| POS | DESCRIPTION | PART | QTY | COMMENTS |
|-----|------------------------|----------|-----|---|
| 2 | Q-Block GRD20 | 1032858 | 1 | |
| 8 | Screw 40x10 M8 | 6000085 | 2 | Loctite 2700 |
| 9 | Eccenter | 1037048 | 1 | |
| 11 | Nut M8 Lock | 610922 | 2 | |
| 14 | Washer NL10 | 611041 | 3 | |
| 45 | Washer NL 8mm | 611040 | 6 | QTY: 8 for SYNC |
| 46 | MC6S M8x30 12.9 Geomet | 611519 | 2 | |
| 58 | Cylinder cover | 1051368 | 2 | |
| 68 | Lock pin GRD20/GRD70 | 1050735 | 2 | |
| 73 | Nut M16 low | 6000057 | 1 | Used until 2016-06 |
| 74 | Hose holder GRD | 1037775 | 1 | Used until 2019-04 |
| 75 | Screw MC6S 20x80 | 610555 | 2 | Replaced by POS.68 from 2019-04 |
| 76 | Nut M20 Lock | 610928 | 2 | Used until 2019-04 |
| 77 | Grab cylinder left | 1035017 | 1 | Replaced by POS.34 from 2019-05 |
| 78 | Grab cylinder right | 1035018 | 1 | Replaced by POS.34 from 2019-05 |
| 79 | Cylinder cover Left | 1008181K | 1 | Replaced by POS.84 from 2019-05 (POS.81, 82 included) |
| 80 | Cylinder cover Right | 1008190K | 1 | Replaced by POS.84 from 2019-05 (POS.81, 82 included) |
| 81 | Spacer 1,2mm | 400635 | 2 | Used until 2019-08 |
| 82 | Spacer 5mm | 400636 | 6 | Used until 2019-08 |
| 83 | Screw K6S 10x20 | 611812 | 4 | Used until 2019-08 |
| 84 | Cylinder cover | 1051150 | 2 | Replaced by POS.58 from 2019-08 (POS.81 included) |

GRD20Q:
Pre series. Used until 2016-06



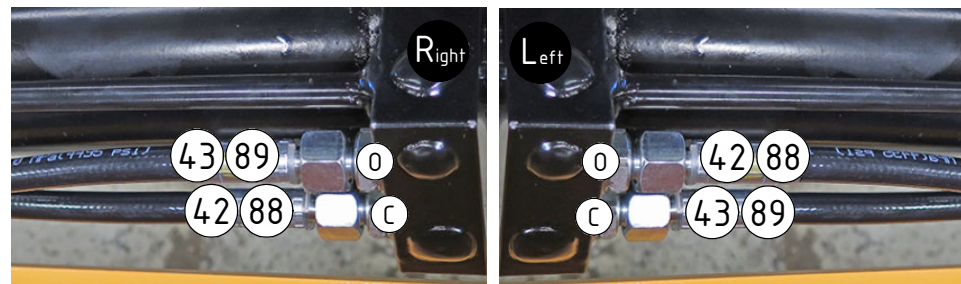
Related spare parts

GRD20Q until 2019-10

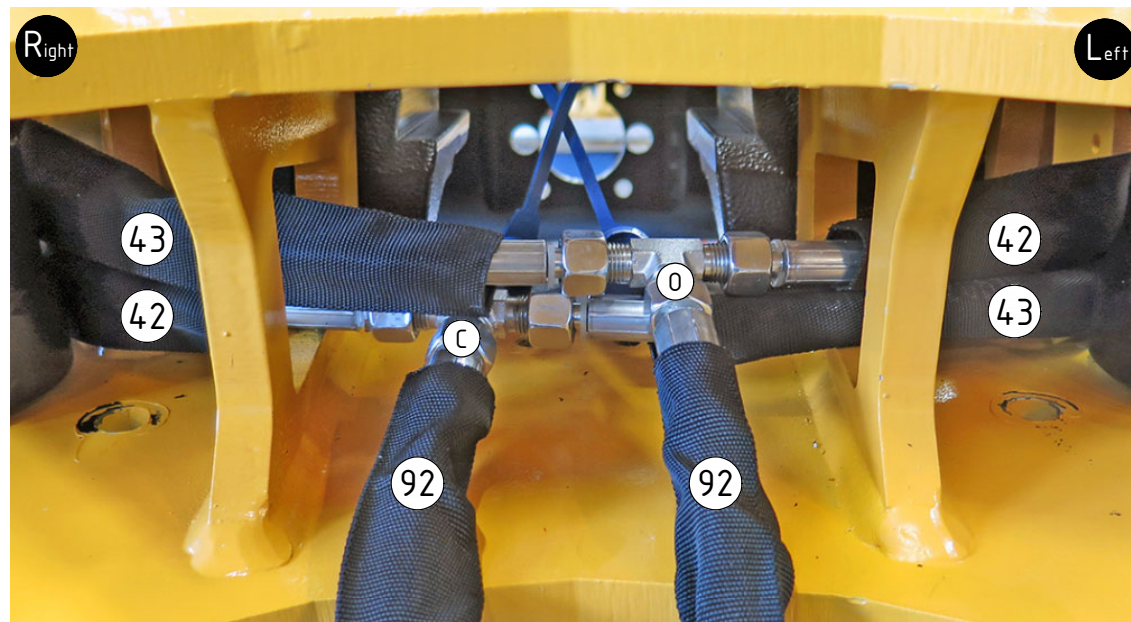


| POS | DESCRIPTION | PART | QTY | COMMENTS |
|-----|--------------------------------|---------|-----|---------------------------------|
| 35 | Washer GBR04 1/4" | 710702 | 6 | QTY depends on config (4-16) |
| 42 | Hose Grab Short | 7000889 | 2 | |
| 43 | Hose Grab Long | 7000888 | 2 | |
| 48 | Hose Grab Feed GRD | 7001034 | 2 | |
| 53 | Washer GBR06 3/8" | 710703 | 6 | |
| 54 | Adapter 236-06-06 (3/8") | 710131 | 2 | |
| 85 | Adapter 234-06-04 (3/8"-1/4") | 710235 | 2 | Used until 2019-10 |
| 86 | Adapter 236-04-04 (1/4") | 1013885 | 2 | Used until 2019-10 |
| 87 | Hose kit (GRD20Q) | 7000195 | 1 | (POS.88-89 included) |
| 88 | Hose Grab Short | 7000169 | 2 | Used until 2019-10 |
| 89 | Hose Grab Long | 7000170 | 2 | Used until 2019-10 |
| 90 | Banjo bolt ext. 4450-04 (1/4") | 712214 | 2 | Used until 2019-10 |
| 91 | Hose Feed | 7000181 | 2 | Used until 2019-04 |
| 92 | Hose Feed Grab | 743003 | 2 | Replaced by POS.48 from 2019-10 |

GRD20 & GRD20Q until 2019-04



GRD20 until 2019-10



GRD20 until 2019-04

