

GRD20

COVERSHEET

Planned document changes:

Briefly:

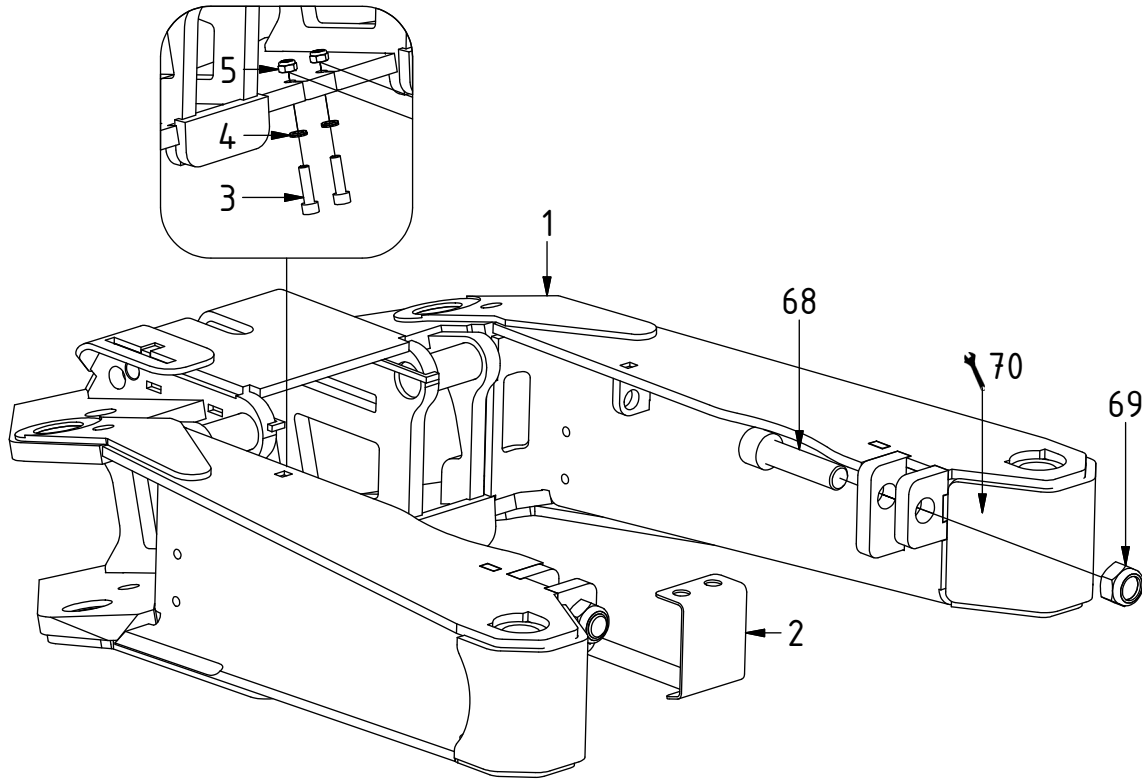
No planned changes.

Document changes:

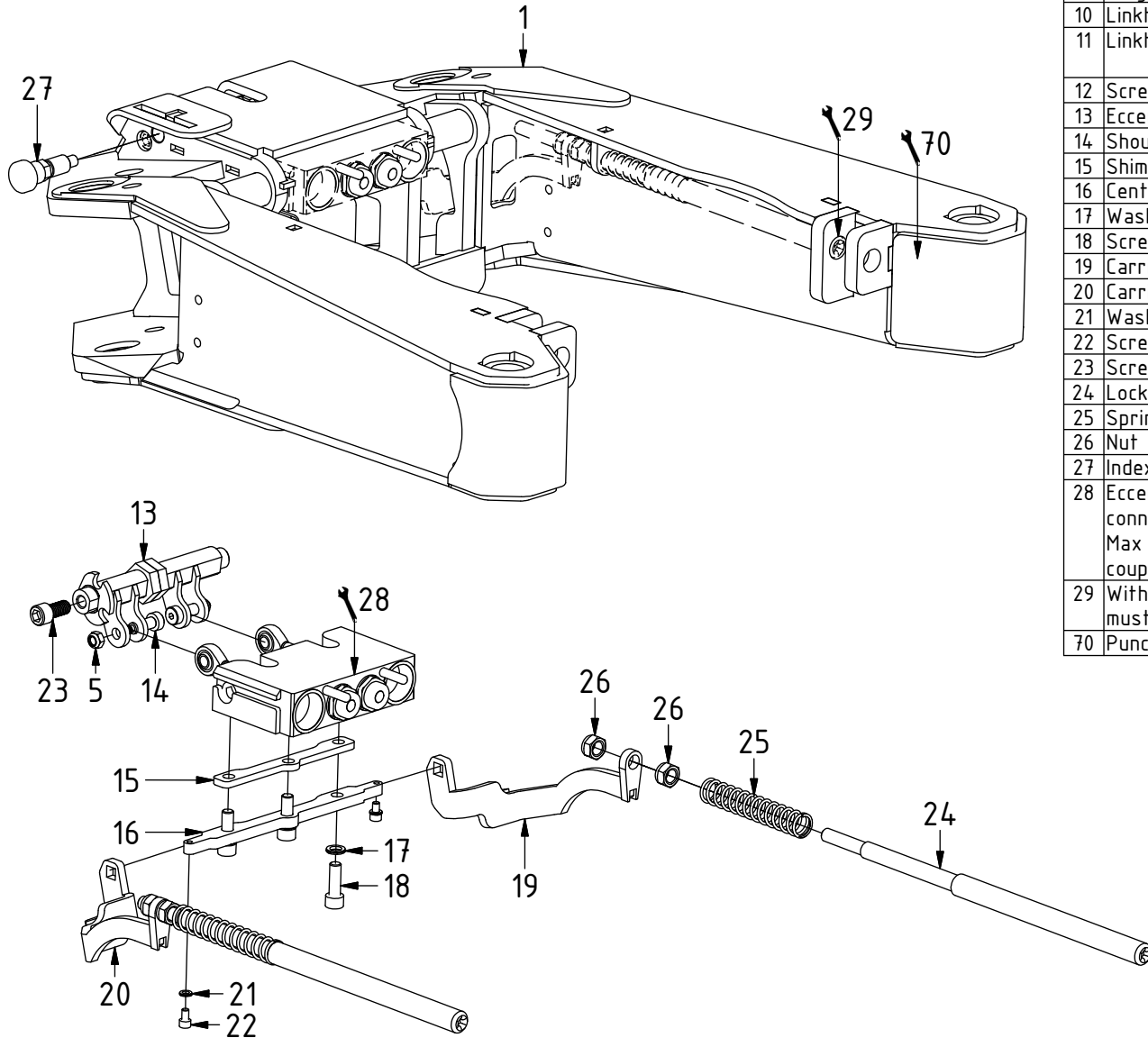
Date:	Change:	Rev. after change:
2019-02-22	Missing loctite added.	E
2018-09-21	ECO-couplings torque added.	D
2018-04-26	Spare parts page added.	C
2018-01-10	New instructions for eccenter function.	B
2017-06-22	Lock nuts for lockpin added. New shim for grab axle. Location for serial number updated. Coversheet added.	A

GRD20:

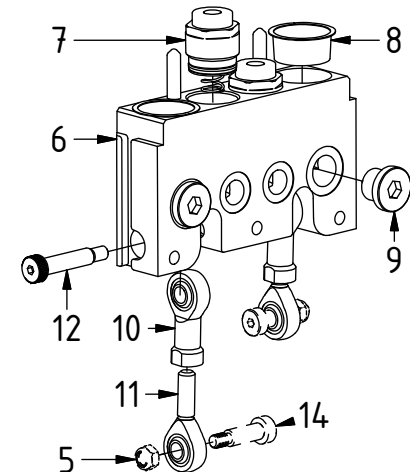
POS	DESCRIPTION	PART	QTY	COMMENTS
1	Frame GRD20	1034320	1	
2	Hose holder GRD	1037775	1	
3	Screw MC6S 8x30	610435	2	
4	Washer NL8	611040	4	
5	Nut M8 Lock	610922	4	
68	Screw MC6S 20x80	610555	2	
69	Nut M20 Lock	610928	2	
70	Punch serial number into frame			



GRD20Q:



POS	DESCRIPTION	PART	QTY	COMMENTS
1	Frame GRD20	1034320	1	
5	Nut M8 Lock	610922	4	
6	Q-Block GRD20	1032858	1	
7	ECO 45/50 3/8" male	1028873	2	Torque: 60Nm
8	Protection plug TECO60	7000154	2	
9	Plug 1/2"	711500	2	
10	Linkhead female	1033284	2	
11	Linkhead male	1033283	2	Screw until bottomed, then unscrew 4,5 turns
12	Screw 40x10 M8	6000085	2	Loctite 2700
13	Eccenter	1037048	1	
14	Shoulder bolt \varnothing 10x25/M8	611703	2	
15	Shim center carrier GRD20	1034333	1	
16	Center carrier GRD20	1034084	1	
17	Washer NL10	611041	7	
18	Screw MC6S 10x30	610452	3	
19	Carrier Right	1037868	1	
20	Carrier Left	1037636	1	
21	Washer NL6	611039	2	
22	Screw MC6S 6x10	611512	2	
23	Screw MC6S 12x25	610473	4	Loctite 2700
24	Lockpin GRD20	1034056	2	
25	Spring	1038209	2	
26	Nut M12 Lock	610924	4	
27	Indexing plunger	6000061	1	
28	Eccenter function distance when connected: 0,5-1,2mm. Max difference between couplings: 0,35mm.			Measure both couplings. Adjust with linkheads.
29	With Q-block retracted, lockpin must align with surface			
70	Punch serial number into frame			

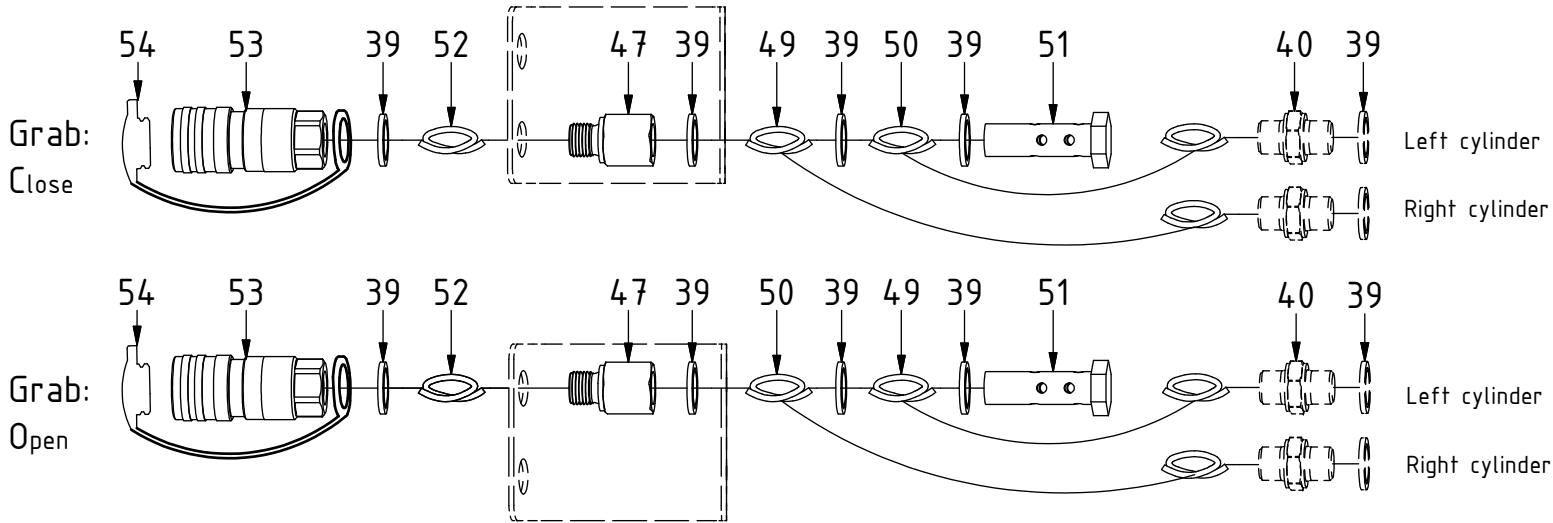


GRD20

GRD20:

POS	DESCRIPTION	PART	QTY	COMMENTS
39	Sealing washer 1/4"	710702	12	
40	Adapter 1/4"	710135	4	
47	Adapter 1/4"	1013885	2	
48	Hose kit (GRD20)	7000195	1	(POS.49-50 included)
49	Hose Grab Short	7000169	1	
50	Hose Grab Long	7000170	1	
51	Banjobolt 1/4" Extended	712214	2	
52	Hose Feed	7000181	1	
53	Quick coupler 1/4" Female	790110	2	
54	Dust protection 1/4" Female	790116	2	

POS in order of assembly

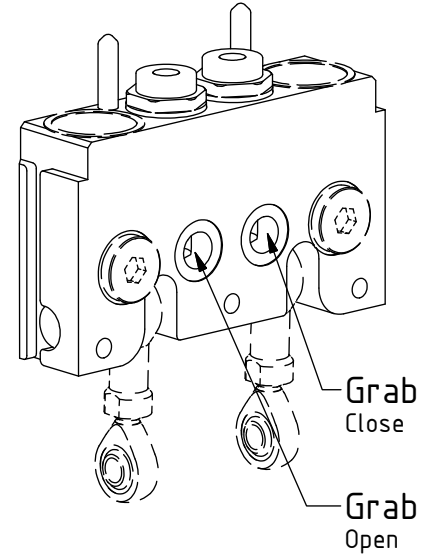
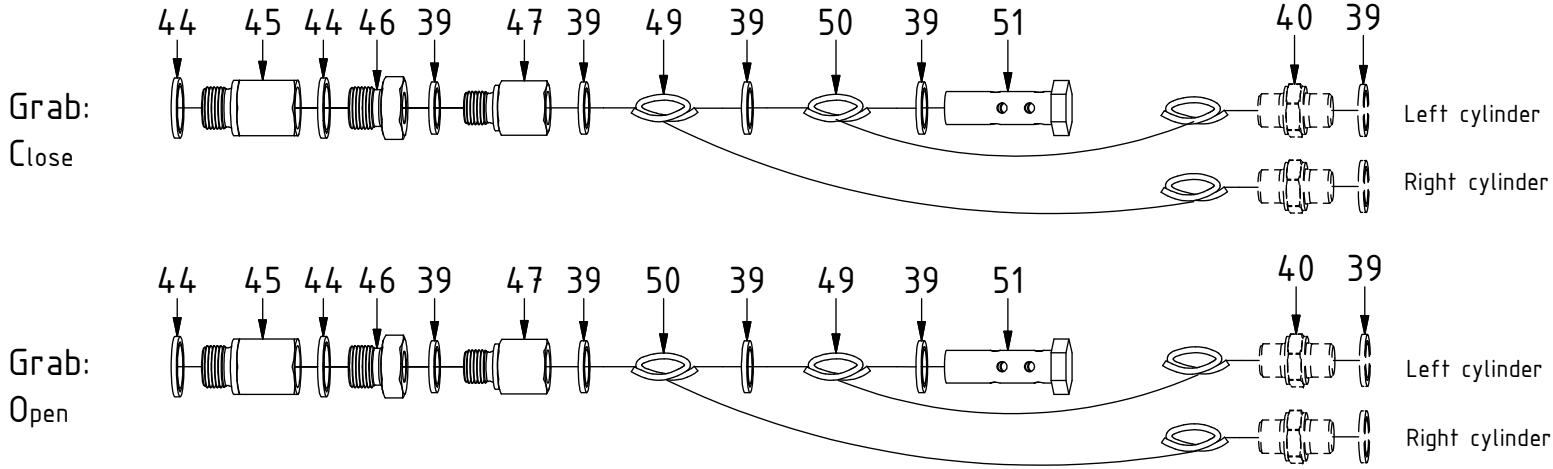


GRD20

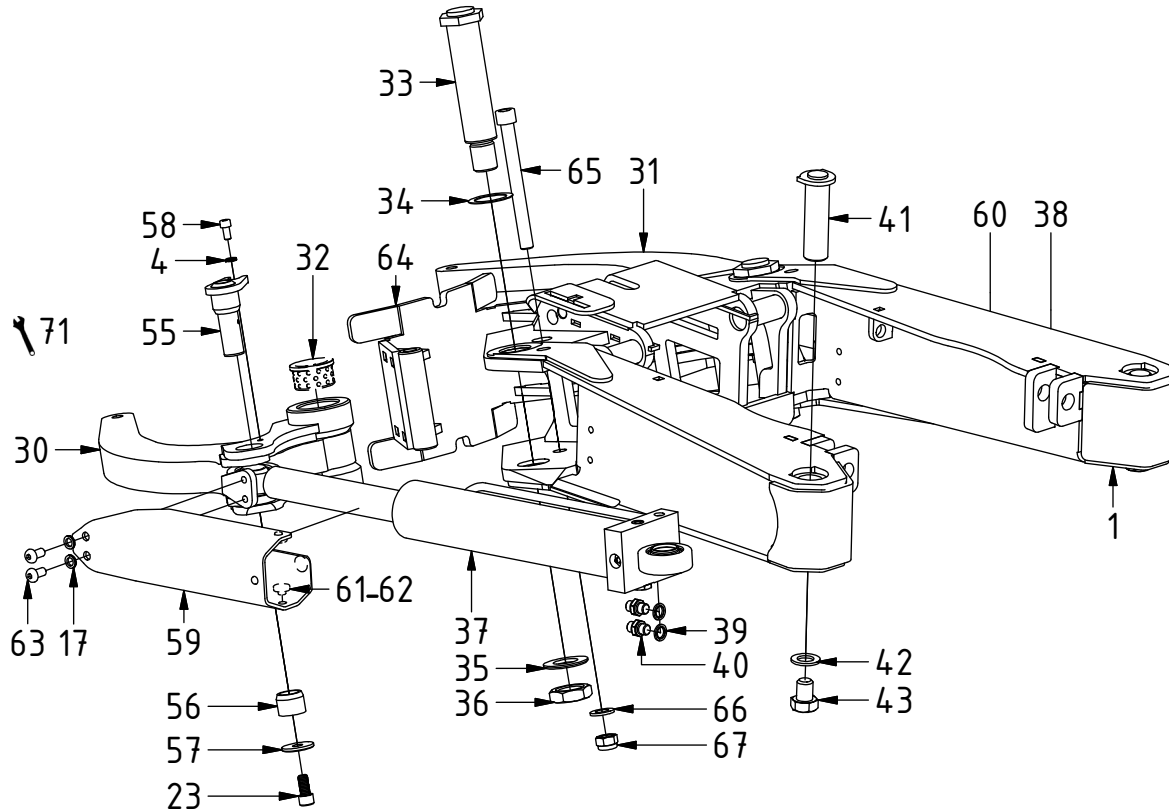
GRD20Q:

POS	DESCRIPTION	PART	QTY	COMMENTS
39	Sealing washer 1/4"	710702	12	
40	Adapter 1/4"	710135	4	
44	Sealing washer 3/8"	710703	4	
45	Adapter 3/8"	710131	2	
46	Adapter 3/8" - 1/4"	710235	2	
47	Adapter 1/4"	1013885	2	
48	Hose kit (GRD20)	7000195	1	(POS.49-50 included)
49	Hose Grab Short	7000169	1	
50	Hose Grab Long	7000170	1	
51	Banjobolt 1/4" Extended	712214	2	

POS in order of assembly



GRD20 & GRD20Q:

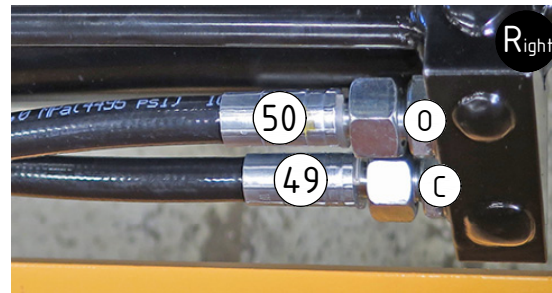
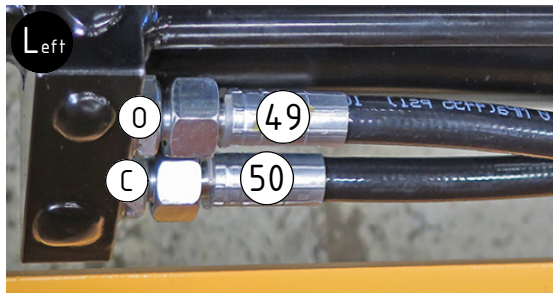
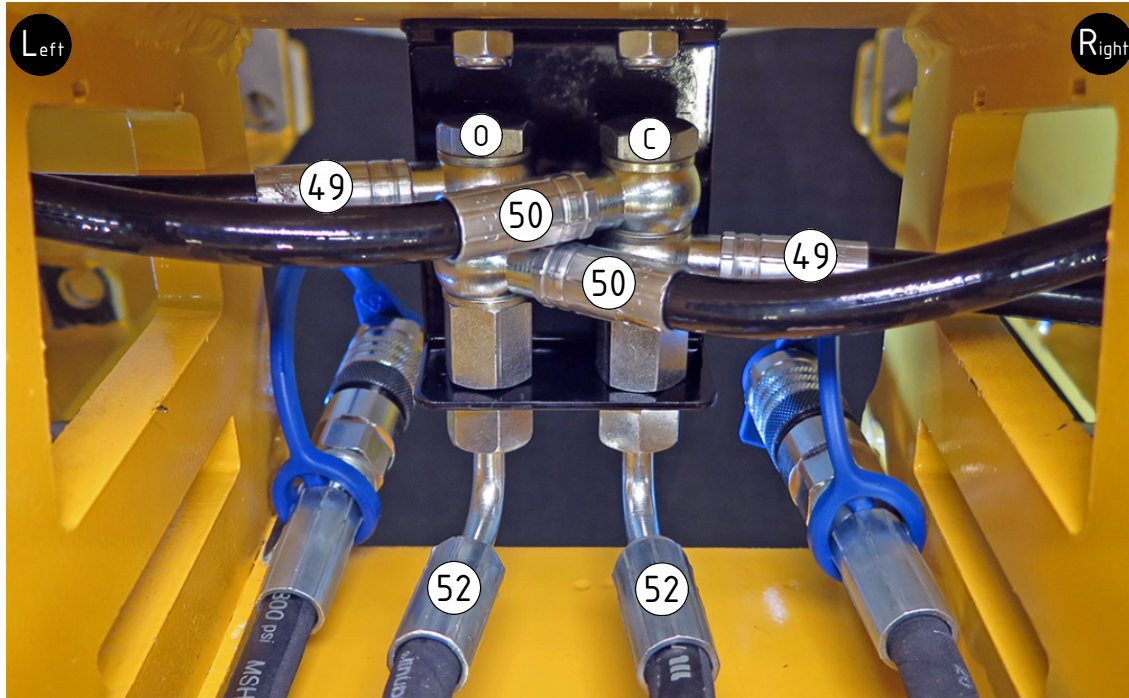


POS	DESCRIPTION	PART	QTY	COMMENTS
1	Frame GRD20	1034320	1	
4	Washer NL8	611040	4	
23	Screw MC6S 12x25	610473	4	Loctite 2700
30	Grab arm Left	1031144	1	(POS.32 included)
31	Grab arm Right	1031147	1	(POS.32 included)
32	Bushing	631001	4	
33	Axle grab arm	1032840	2	Torque: 649Nm
34	Shim GDR20 56x40,5x1	1042067	4	Also used between grab arm and frame if required
35	Washer M30	6000053	2	
36	Nut M30	6000059	2	Torque: 649Nm
37	Grab cylinder left	1035017	1	
38	Grab cylinder right	1035018	1	
39	Sealing washer 1/4"	710702	12	
40	Adapter 1/4"	710135	4	
41	Axle cylinder	1029217	2	
42	Washer M20	611010	2	
43	Screw M6S 20x25	6000054	2	Loctite 2700
55	Axle grab arm/cylinder	1034640	2	
56	Sleeve axle	1034641	2	
57	Washer 13x40x4	6000056	2	
58	Screw MC6S 8x16	610431	2	
59	Cylinder cover Left	1008181K	1	(POS.61-62 included)
60	Cylinder cover Right	1008190K	1	(POS.61-62 included)
61	Spacer 1,2mm	400635	2	
62	Spacer 5mm	400636	6	
63	Screw K6S 10x20	611812	4	
64	Grab support GRD20	1034063	1	
65	Screw MC6S 16x160	610536	2	
66	Washer 17x30x3	611009	2	
67	Hex Nut M16 Lock	610926	2	
71	GRD20 must be delivered with grab arms open			Distance 360mm between tips

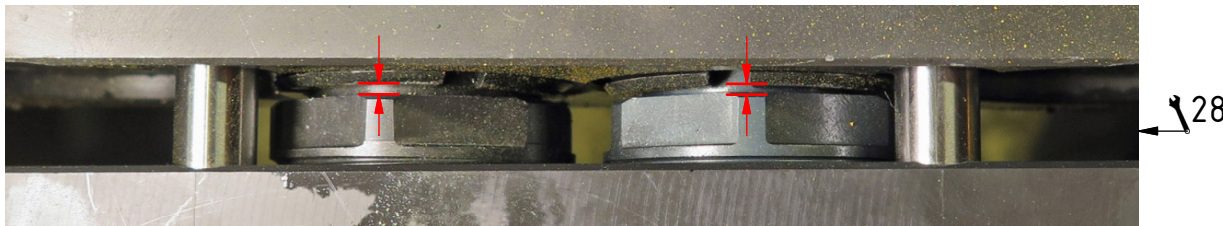
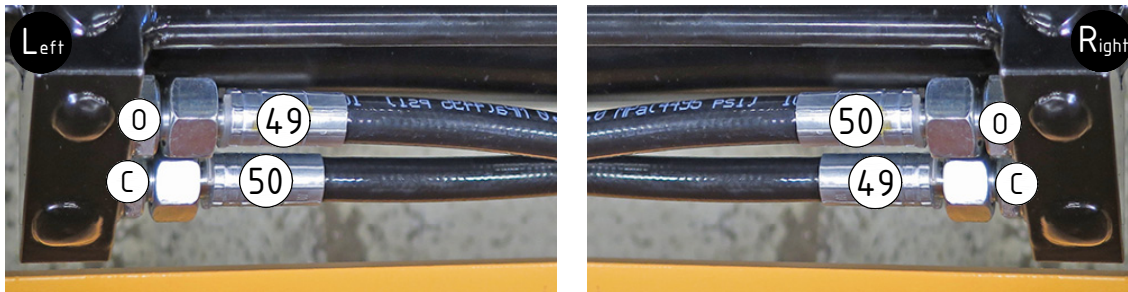
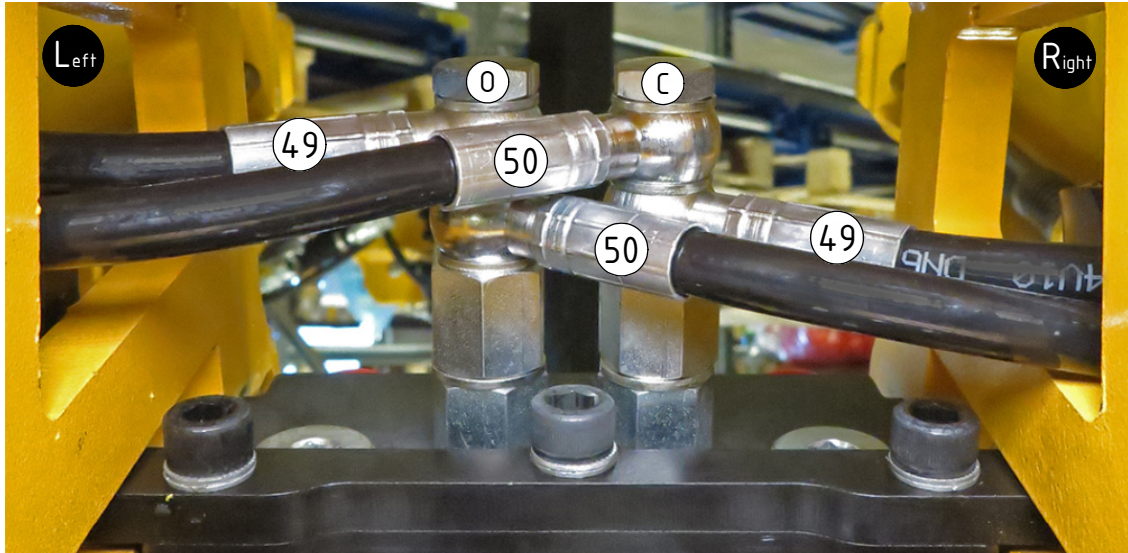
POS in order of assembly

GRD20:

POS	DESCRIPTION	PART	QTY	COMMENTS
48	Hose kit (GRD20)	7000195	1	(POS.49-50 included)
49	Hose Grab Short	7000169	1	
50	Hose Grab Long	7000170	1	
52	Hose Feed	7000181	1	



GRD20Q:



POS	DESCRIPTION	PART	QTY	COMMENTS
28	Eccenter function distance when connected: 0,5-1,2mm. Max difference between couplings: 0,35mm.			Measure both couplings. Adjust with linkheads.
48	Hose kit (GRD20)	7000195	1	(POS.49-50 included)
49	Hose Grab Short	7000169	1	
50	Hose Grab Long	7000170	1	

POS in order of assembly

Related spare parts:

POS	DESCRIPTION	PART	QTY	COMMENTS
6	Q-Block GRD20	1032858	1	
12	Screw 40x10 M8	6000085	2	Loctite 2700
13	Eccenter	1037048	1	
72	Nut M16 low	6000057	1	Used until 2016-06

GRD20Q

(Pre series. Used until 2016-06)

