

# GRD20

## COVERSHEET

### Planned document changes:

**Briefly:**

---

Comment POS.14: 4,5 turns.

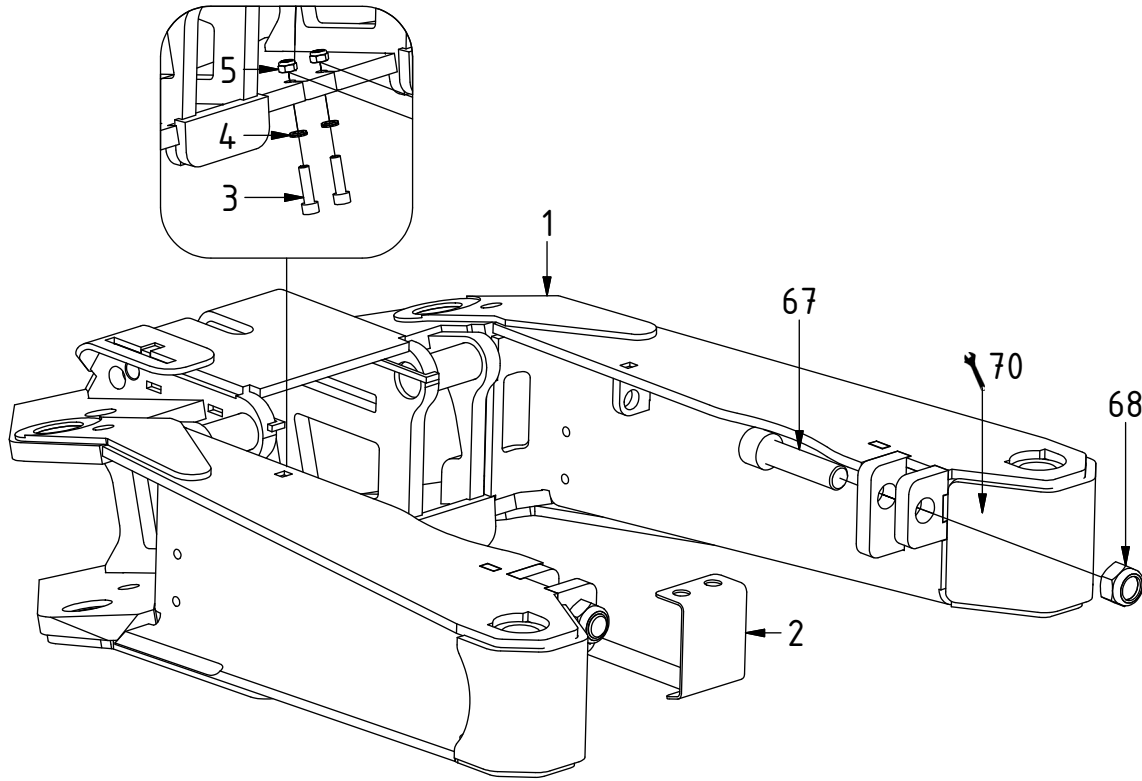
### Document changes:

<b>Date:</b>	<b>Change:</b>	<b>Rev. after change:</b>
2017-06-22	Added lock nuts for lockpin. New shim for grab axle. New location for serial number.	A

GRD20M:

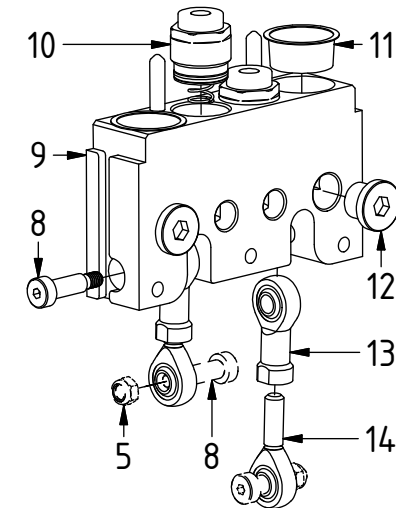
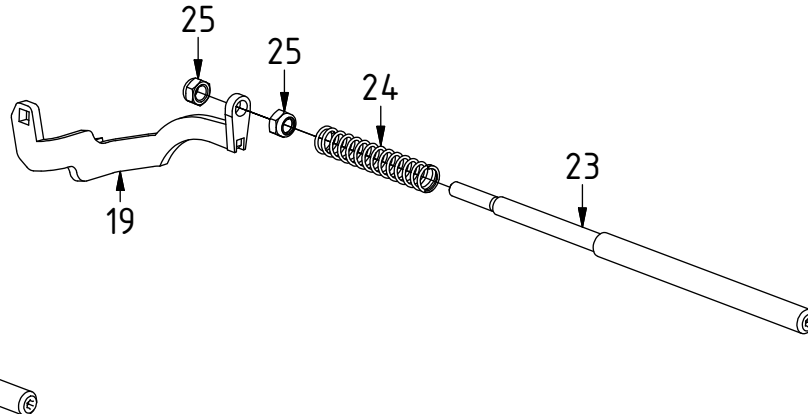
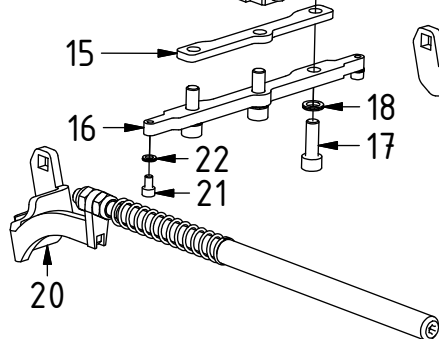
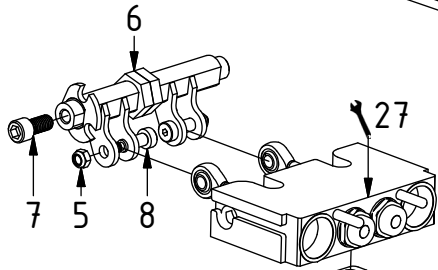
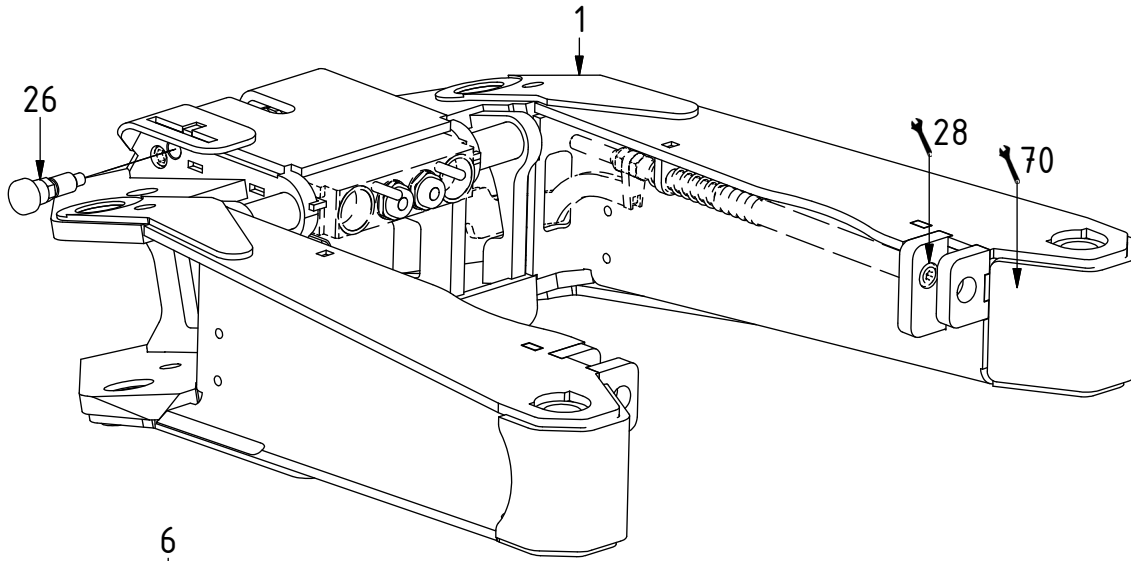
POS	DESCRIPTION	PART	QTY	COMMENTS
1	Frame GRD20	1034320	1	
2	Hose holder GRD10/20	1037775	1	
3	Screw MC6S 8x30	610435	2	
4	Washer NL8	611040	4	
5	Nut M8 Lock	610922	4	
67	Socket Head Screw 20x80	610555	2	
68	Nut M20 Lock	610928	2	
70	Punch serial number into frame			

POS in order of assembly



Dashed lines for overview, mounts on other pages/assemblies. indicates instruction. represents hose.

## GRD20Q:



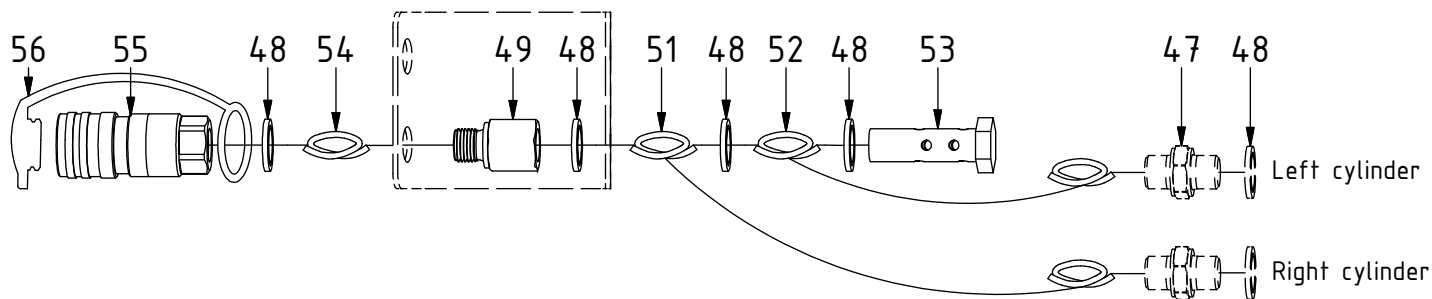
POS	DESCRIPTION	PART	QTY	COMMENTS
1	Frame GRD20	1034320	1	
5	Nut M8 Lock	610922	4	
6	Eccenter	1037048	1	
7	Screw MC6S 12x25	610473	4	Loctite 2700
8	Shoulder bolt $\varnothing 10 \times 25 / M8$	611703	4	Loctite 2700
9	Q-Block GRD20	1032858	1	
10	ECO 45/50 3/8" male	1028873	2	
11	Protection plug TEC060	7000154	2	
12	Plug 1/2"	711500	2	
13	Linkhead female	1033284	2	
14	Linkhead male	1033283	2	
15	Shim center carrier GRD20	1034333	1	
16	Center carrier GRD20	1034084	1	
17	Screw MC6S 10x30	610452	3	
18	Washer NL10	611041	7	
19	Carrier Right	1037868	1	
20	Carrier Left	1037636	1	
21	Screw MC6S 6x10	611512	2	
22	Washer NL6	611039	2	
23	Lockpin GRD20	1034056	2	
24	Spring	1038209	2	
25	Nut M12 Lock	610924	4	
26	Indexing plunger	6000061	1	
27	Eccenter function distance when connected: 0,5-2mm			Adjust with linkheads Photo on page 7
28	With Q-block retracted, lockpin must align with surface			
70	Punch serial number into frame			

Dashed lines for overview, mounts on other pages/assemblies. indicates instruction. represents hose.

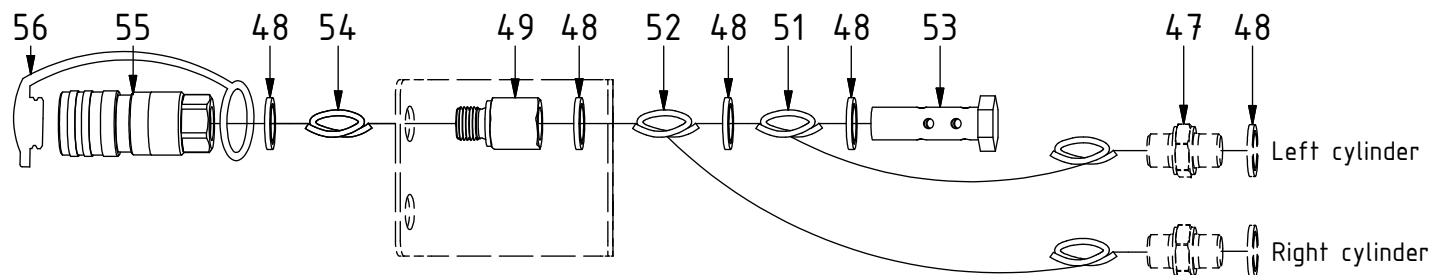
## GRD20M:

POS	DESCRIPTION	PART	QTY	COMMENTS
47	Adapter 1/4"	710135	4	
48	Sealing washer 1/4"	710702	12	
49	Adapter 1/4"	1013885	2	
50	Hose kit (GRD20)	7000195	1	(POS.51-52 included)
51	Hose Grab Short	7000169	1	
52	Hose Grab Long	7000170	1	
53	Banjobolt 1/4" Extended	712214	2	
54	Hose Feed	7000181	1	
55	Quick coupler 1/4" 2510 cejn	790111	2	
56	Dust protection 1/4" female	790116	2	

Grab:  
Close



Grab:  
Open



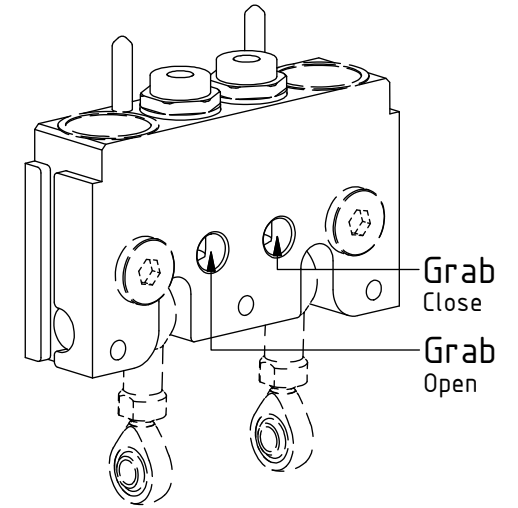
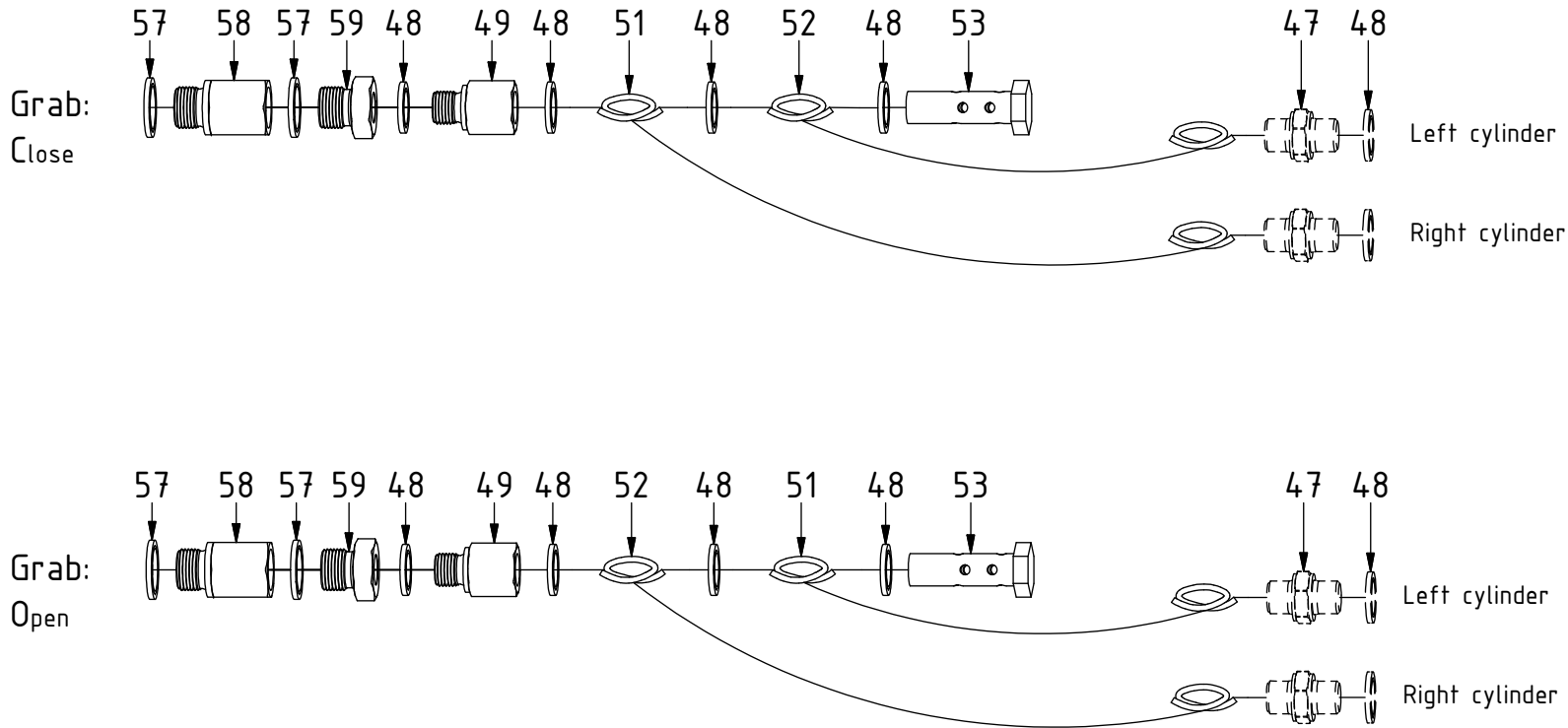
Dashed lines for overview, mounts on other pages/assemblies. indicates instruction. represents hose.

# GRD20

GRD20Q:

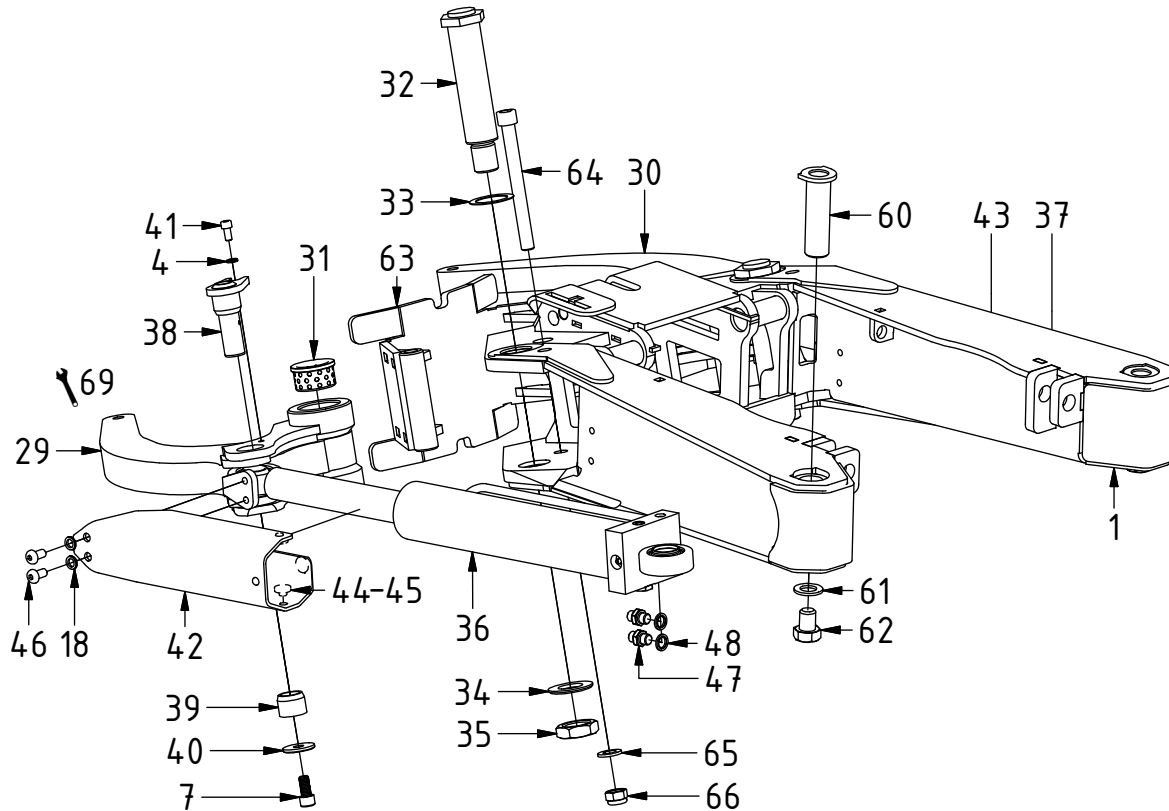
POS	DESCRIPTION	PART	QTY	COMMENTS
47	Adapter 1/4"	710135	4	
48	Sealing washer 1/4"	710702	12	
49	Adapter 1/4"	1013885	2	
50	Hose kit (GRD20)	7000195	1	(POS.51-52 included)
51	Hose Grab Short	7000169	1	
52	Hose Grab Long	7000170	1	
53	Banjobolt 1/4" Extended	712214	2	
57	Sealing washer 3/8"	710703	4	
58	Adapter 3/8"	710131	2	
59	Adapter 3/8" - 1/4"	710235	2	

POS in order of assembly



Dashed lines for overview, mounts on other pages/assemblies. indicates instruction. represents hose.

## GRD20M & GRD20Q:



POS	DESCRIPTION	PART	QTY	COMMENTS
1	Frame GRD20	1034320	1	
4	Washer NL8	611040	4	
7	Screw MC6S 12x25	610473	4	Loctite 2700
29	Grab arm left	1031144	1	(POS.31 included)
30	Grab arm right	1031147	1	(POS.31 included)
31	Bushing	631001	4	
32	Axle grab arm	1032840	2	Torque: 649Nm
33	Shim GDR20 56x40,5x1	1042067	2	Also used between POS.29/30 & POS.1 if required
34	Washer M30	6000053	2	
35	Nut M30	6000059	2	Torque: 649 Nm
36	Grab cylinder left	1035017	1	
37	Grab cylinder right	1035018	1	
38	Axle grab arm/cylinder	1034640	2	
39	Sleeve axle	1034641	2	
40	Washer 13x40x4	6000056	2	
41	Socket Head Screw 8x16	610431	2	
42	Cylinder cover left	1008181K	1	(POS.44-45 included)
43	Cylinder cover right	1008190K	1	(POS.44-45 included)
44	Spacer 1,2mm	400635	2	
45	Spacer 5mm	400636	6	
46	Screw K6S 10x20	611812	4	
47	Adapter 1/4"	710135	4	
48	Sealing washer 1/4"	710702	12	
60	Axle cylinder	1029217	2	
61	Washer M20	611010	2	
62	Screw M6S 20x25	6000054	2	Loctite 2700
63	Grab support GRD20	1034063	1	
64	Screw MC6S 16x160	610536	2	
65	Washer 17x30x3	611009	2	
66	Hex Nut M16 Lock	610926	2	
69	GRD20M must be delivered with grab arms open			Distance 360mm between tips

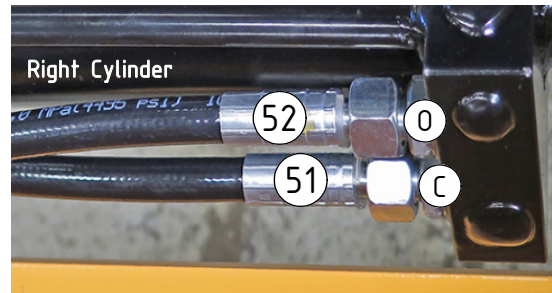
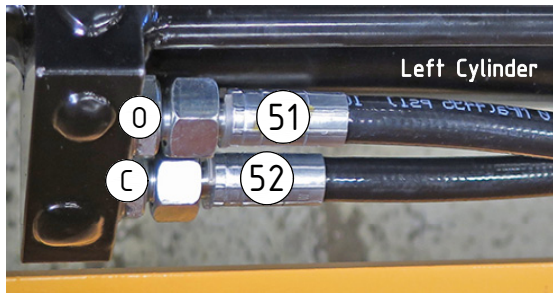
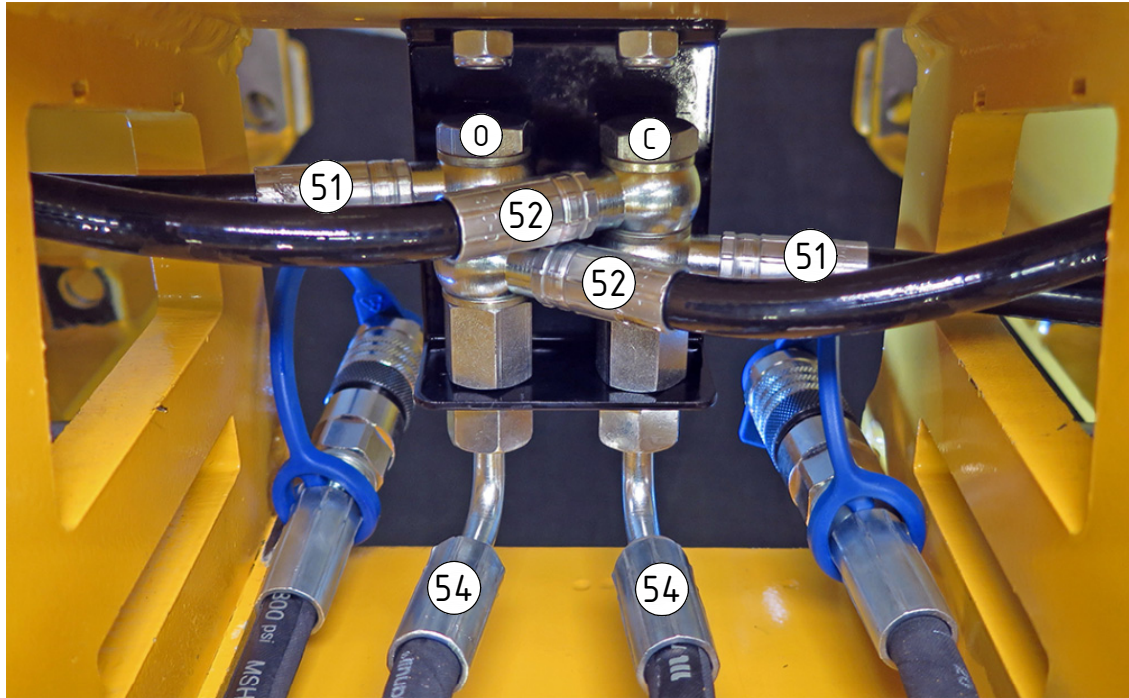
POS in order of assembly

Dashed lines for overview, mounts on other pages/assemblies. indicates instruction. represents hose.

## GRD20M:

POS	DESCRIPTION	PART	QTY	COMMENTS
50	Hose kit (GRD20)	7000195	1	(POS.51-52 included)
51	Hose Grab Short	7000169	1	
52	Hose Grab Long	7000170	1	
54	Hose Feed	7000181	1	

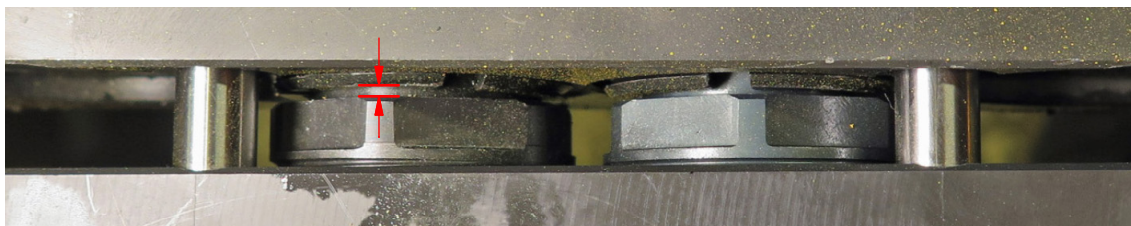
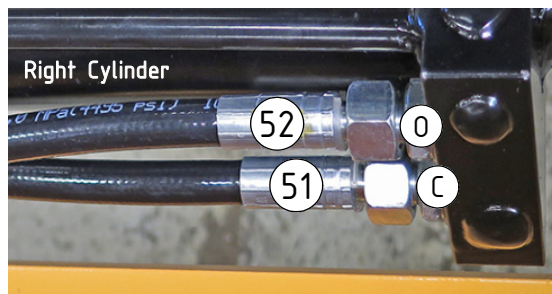
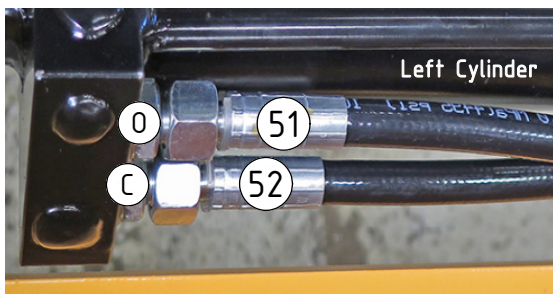
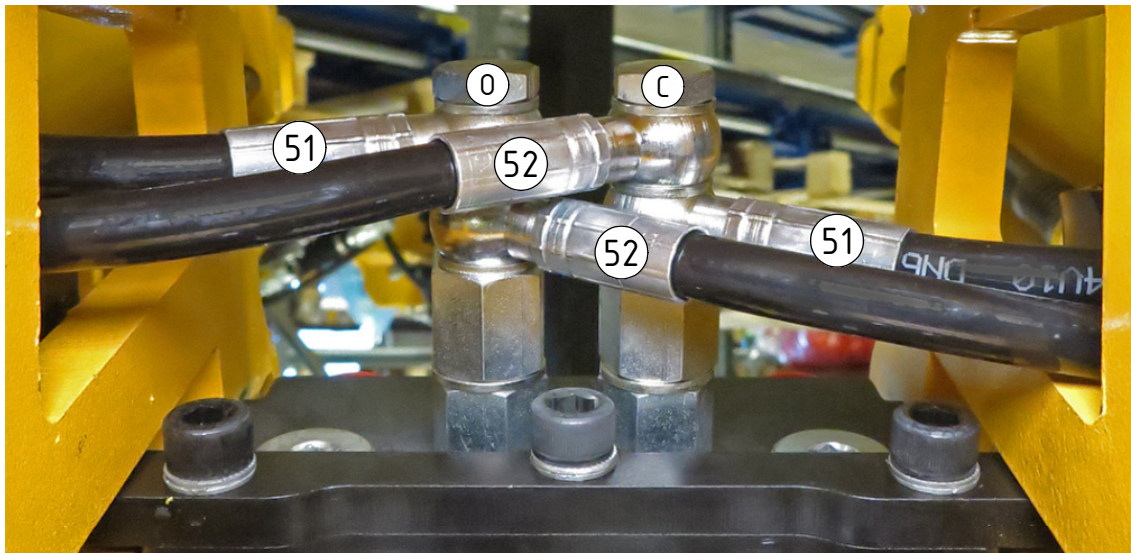
POS in order of assembly



Dashed lines for overview, mounts on other pages/assemblies. indicates instruction. represents hose.

## GRD20Q:

POS	DESCRIPTION	PART	QTY	COMMENTS
50	Hose kit (GRD20)	7000195	1	(POS.51-52 included)
51	Hose Grab Short	7000169	1	
52	Hose Grab Long	7000170	1	



Eccenter function distance when connected: 0,5mm-2mm

Dashed lines for overview, mounts on other pages/assemblies. indicates instruction. represents hose.

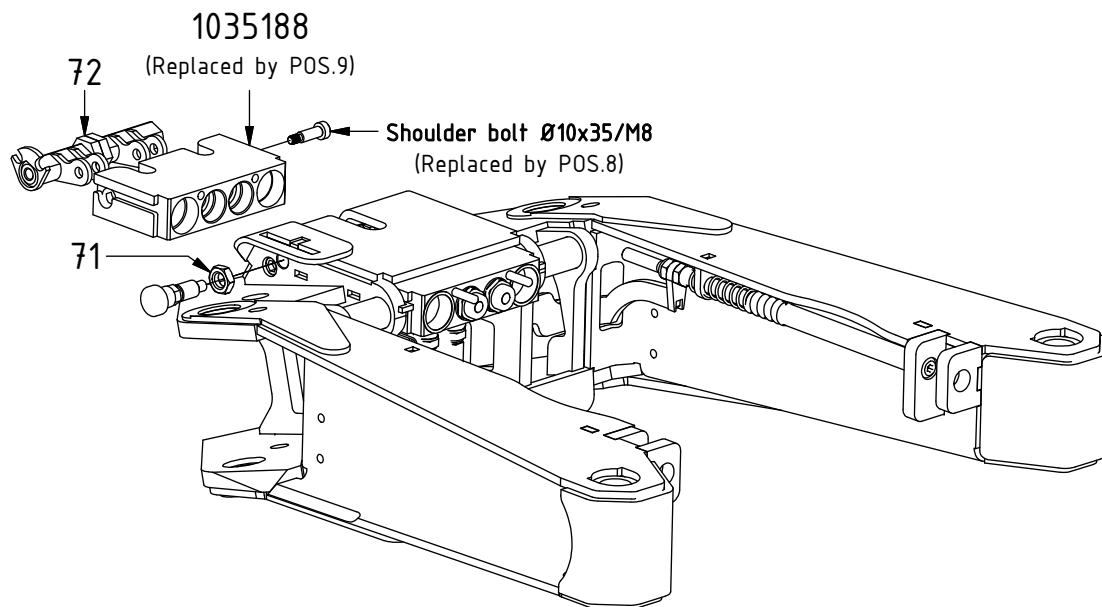


Related spare parts:

POS	DESCRIPTION	PART	QTY	COMMENTS
6	Eccenter	1037048	1	
8	Shoulder bolt $\varnothing 10 \times 25 / M8$	611703	4	Loctite 2700
9	Q-Block GRD20	1032858	1	
71	Nut M16 low	6000057	1	Used until 2016-06
72	Eccenter	1032899	1	Replaced by POS.6

## GRD20Q

(Pre series. Used until 2016-06)



Dashed lines for overview, mounts on other pages/assemblies. indicates instruction. represents hose.