

COVERSHEET

Planned document changes:


Briefly:


No planned changes.

Document changes:

Date:	Change:	Rev. after change:
2024-11-11	Missing washer added.	E
2023-09-21	Photos updated.	D
2020-05-28	Male and Female quick coupling switches place.	C
2017-11-20	Photo page corrected. Coversheet added.	B

Readers note:

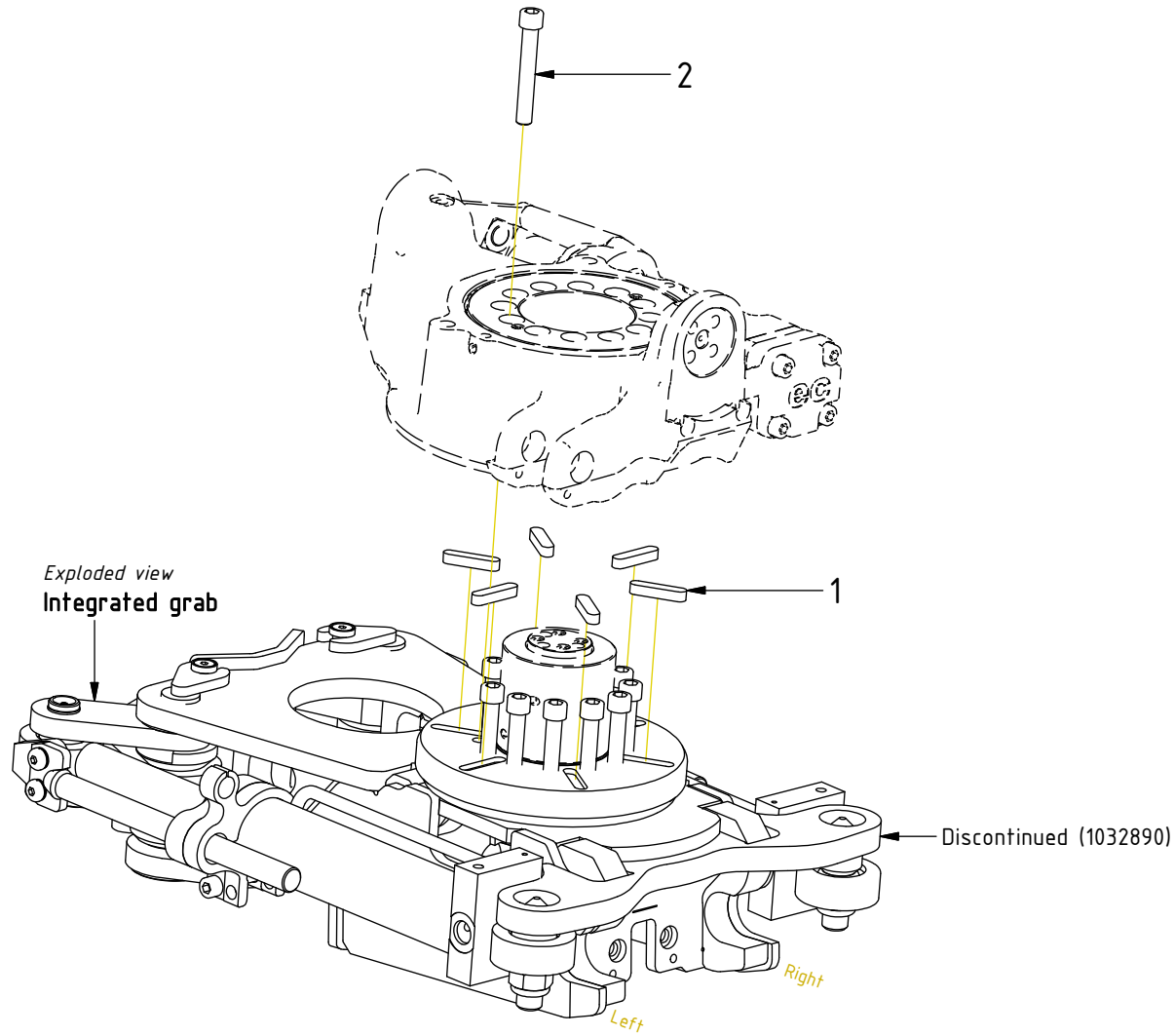
 Indicates instruction.

 Represents Hose.

Dashed lines for overview, mounts
on other pages/assemblies.

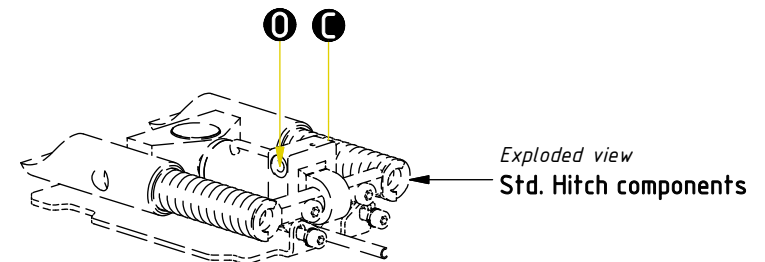
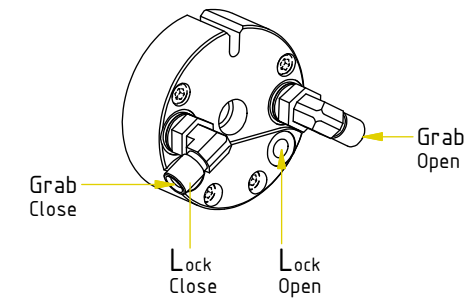
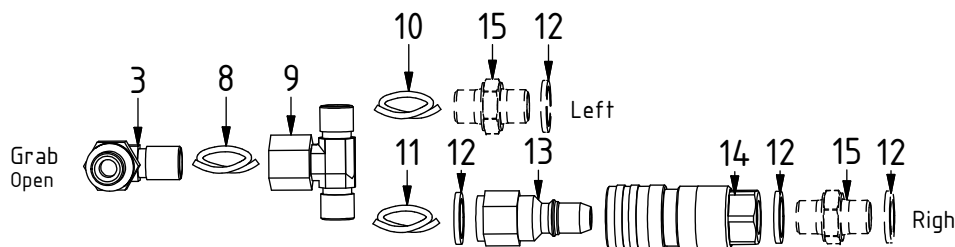
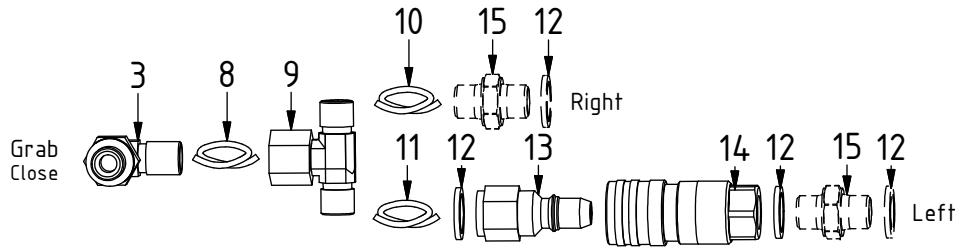
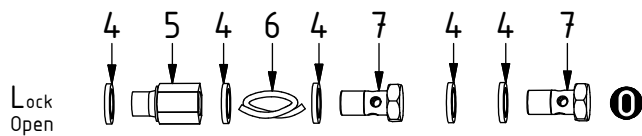
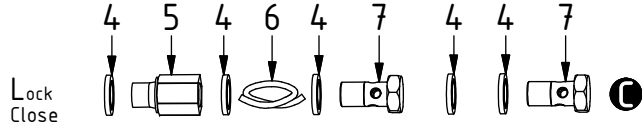
POS	DESCRIPTION	PART	QTY	COMMENTS
1	Feather Key	650101	6	
2	Screw MC6S M12x80 12.9 ZFSHL	6000148	12	Torque: 136Nm

POS in order of assembly



POS in order of assembly

POS	DESCRIPTION	PART	QTY	COMMENTS
3	Adapter 401-04-04 90° (1/4")	710151	2	
4	Washer GBR02 1/8	710701	10	
5	Adapter 236-02-02	710129	2	
6	Hose Lock	7000110	2	
7	Banjo bolt 4451-02 (1/2")	710277	4	
8	Hose Grab Internal	7000141	2	
9	Adapter 853-04-99 (1/4")	710184	2	
10	Hose Grab Long	7000112	2	
11	Hose Grab Short	7000113	2	
12	Washer GBR04 1/4	710702	8	QTY: 4 part of Integrated grab
13	Quick Coupler 1/4" Male 2520	790111	2	
14	Quick coupler 1/4" 2510 cejn	790110	2	
15	Adapter 138-04-29 (1/4")	710135	4	Part of Integrated grab



POS	DESCRIPTION	PART	QTY	COMMENTS
6	Hose Lock	7000110	2	
8	Hose Grab Internal	7000141	2	
10	Hose Grab Long	7000112	2	
11	Hose Grab Short	7000113	2	

